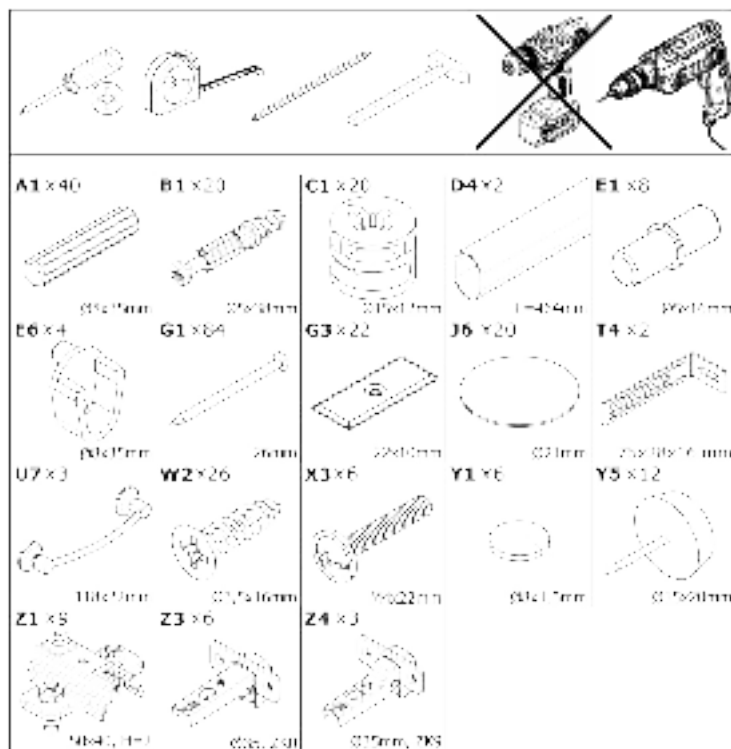
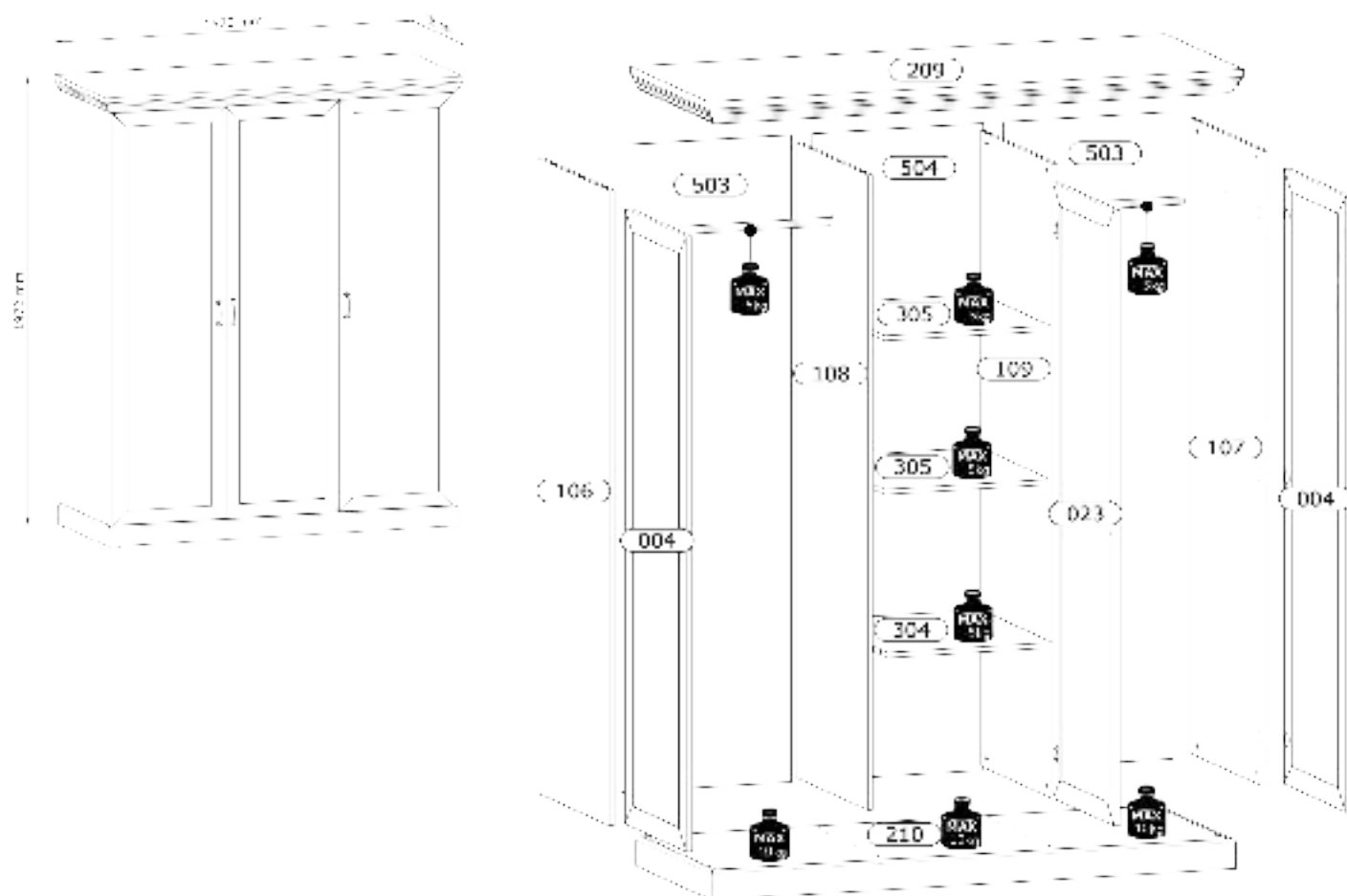
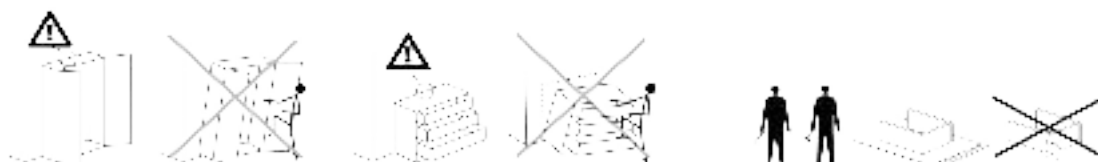


Royal

S3D

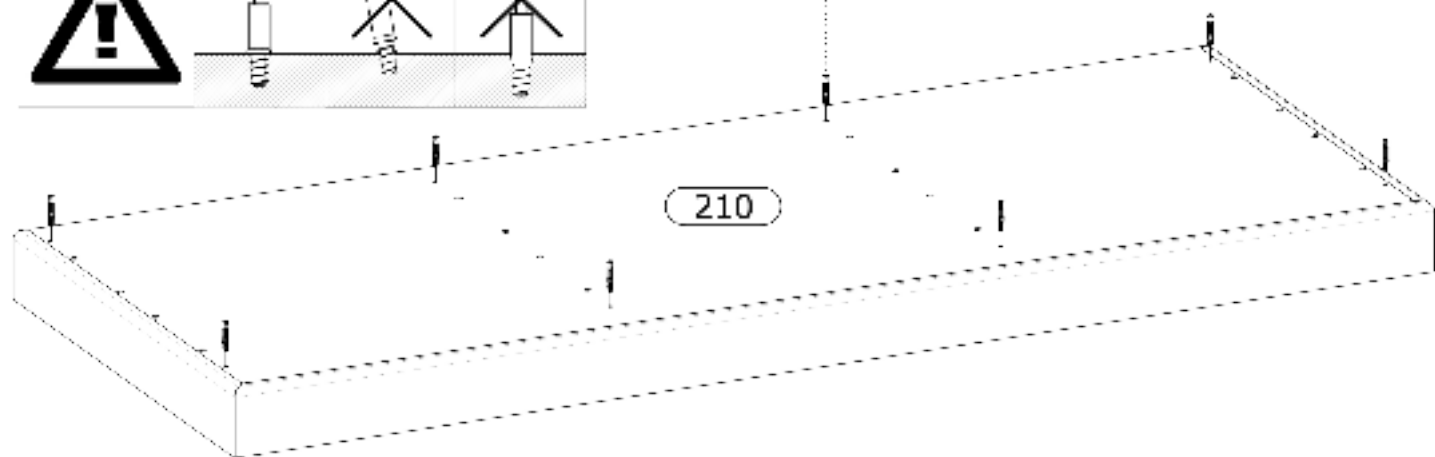
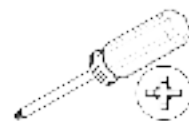
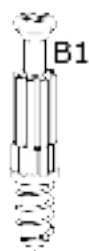
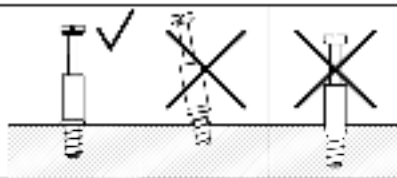


Nr	L(mm)	W(mm)	H(mm)	PCS	BOX
004	1802	495	18	2	2/3
023	1802	495	18	1	2/3
106	1800	680	15	1	1/3
107	1800	680	15	1	1/3
108	1800	140	15	1	1/3
109	1800	140	15	1	1/3
209	1570	125	77	1	3/3
210	1507	608,5	20	1	3/3
304	405	500	15	1	1/3
305	405	500	15	2	1/3
503	1055	197	2,5	2	1/3
504	1835	500	2,5	1	1/3



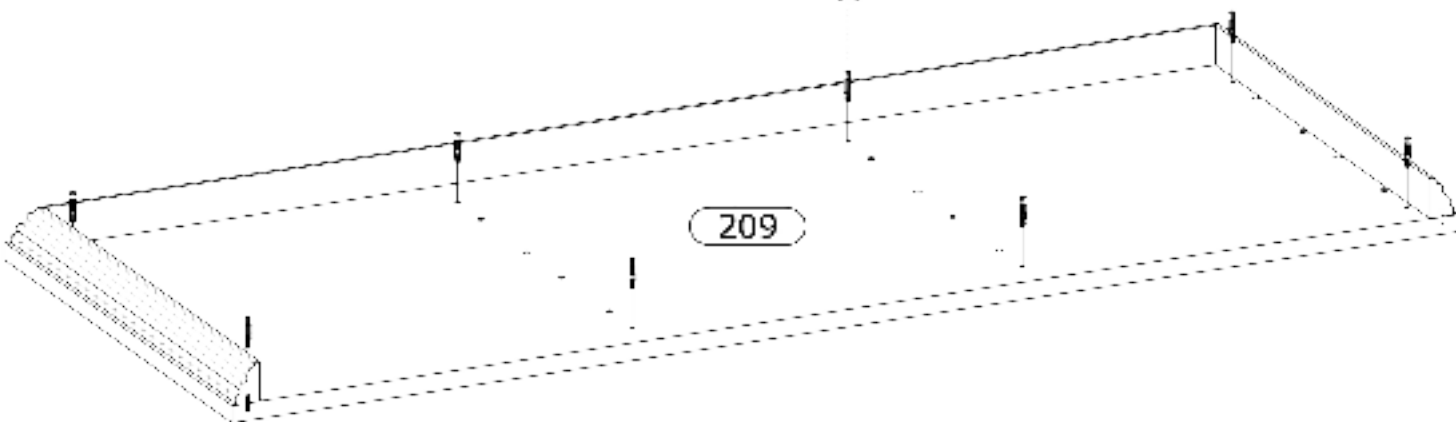
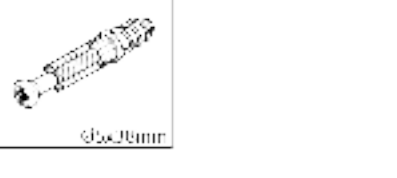
1

B1 x 8
Ø5x28mm



2

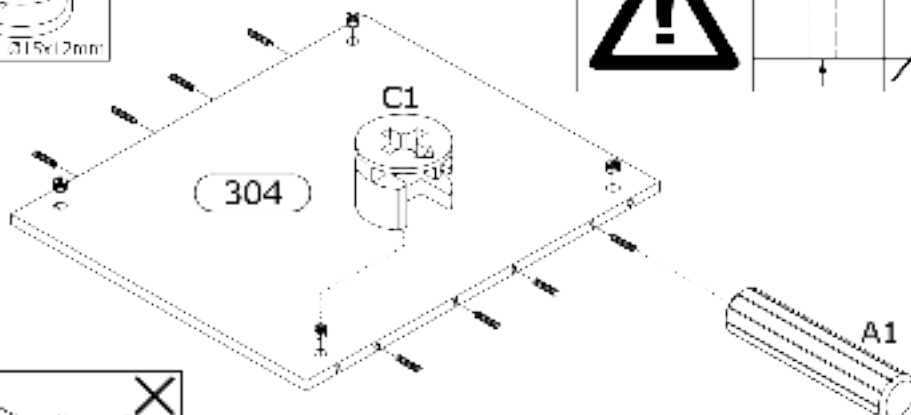
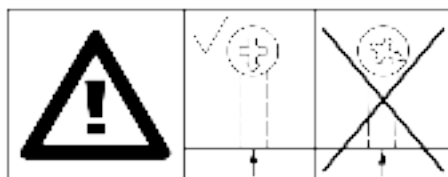
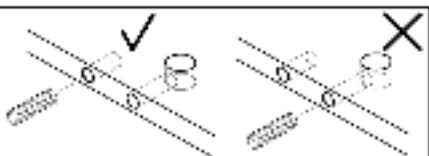
B1 x 8
Ø5x28mm



3

A1 x 8
Ø8x35mm

C1 x 4
Ø15x12mm



4

A1 x 8



Ø8x25mm

B1 x 2

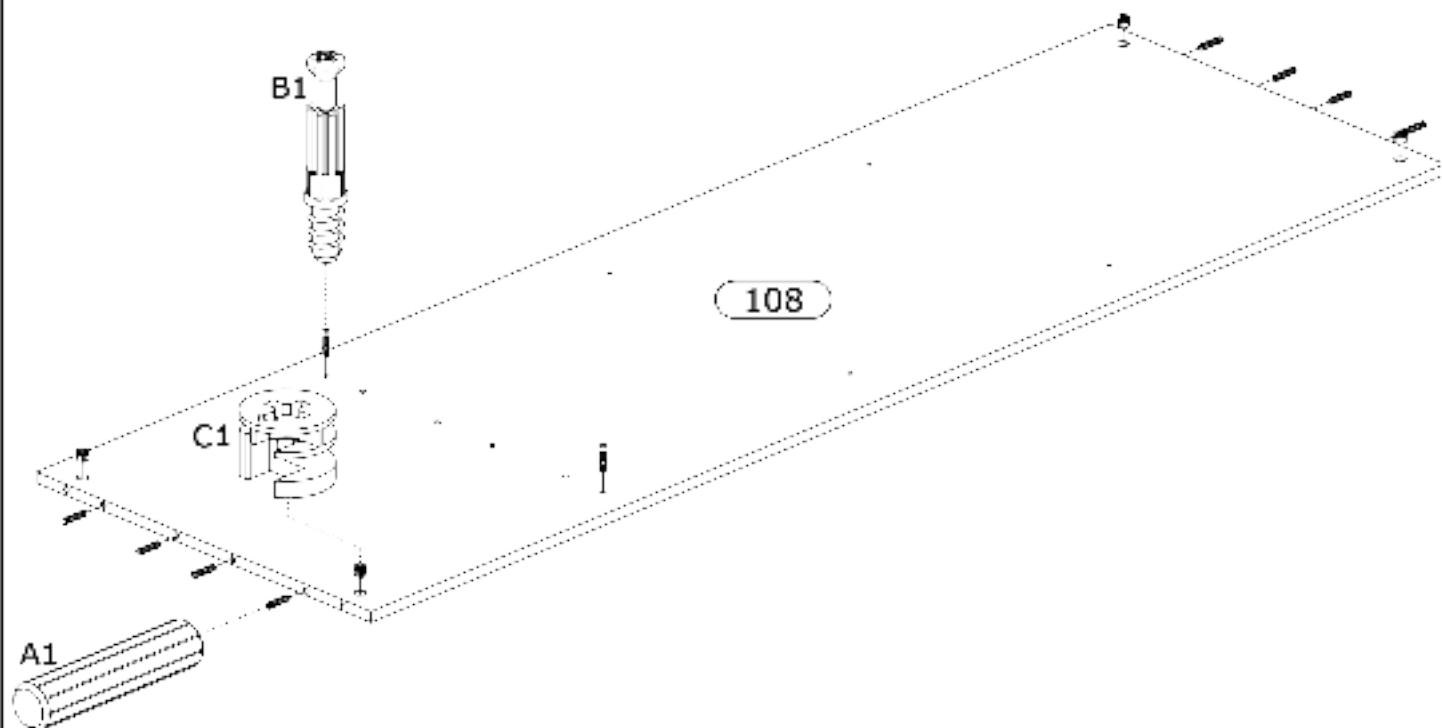


25x28mm

C1 x 4



215x12mm



5

A1 x 8



Ø8x25mm

B1 x 2



25x28mm

C1 x 4

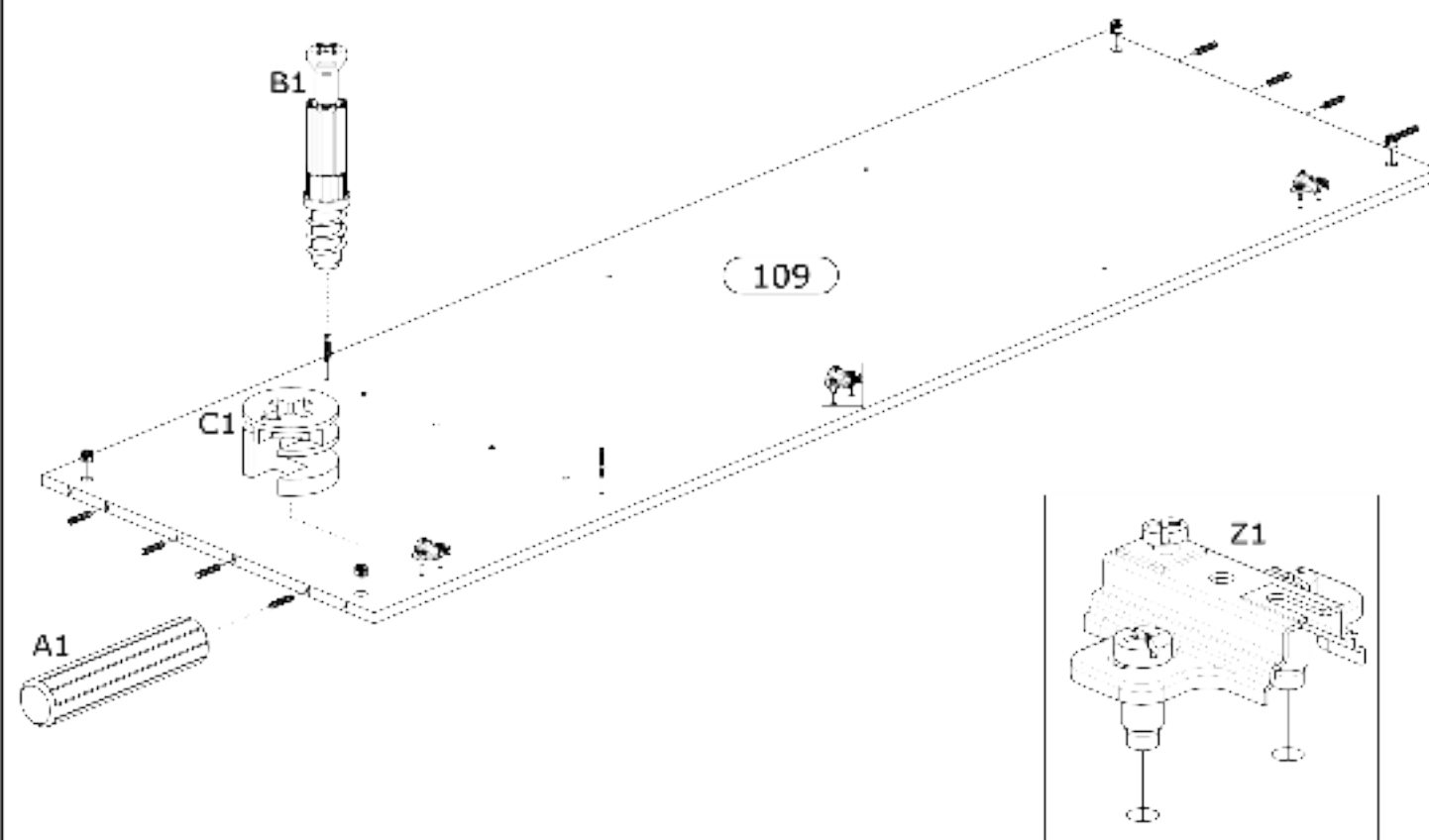


215x12mm

Z1 x 3



50x40, H=2



6

A1 x 8



Ø8x25mm

C1 x 4



Ø15x12mm

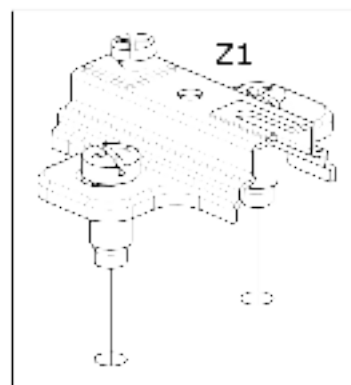
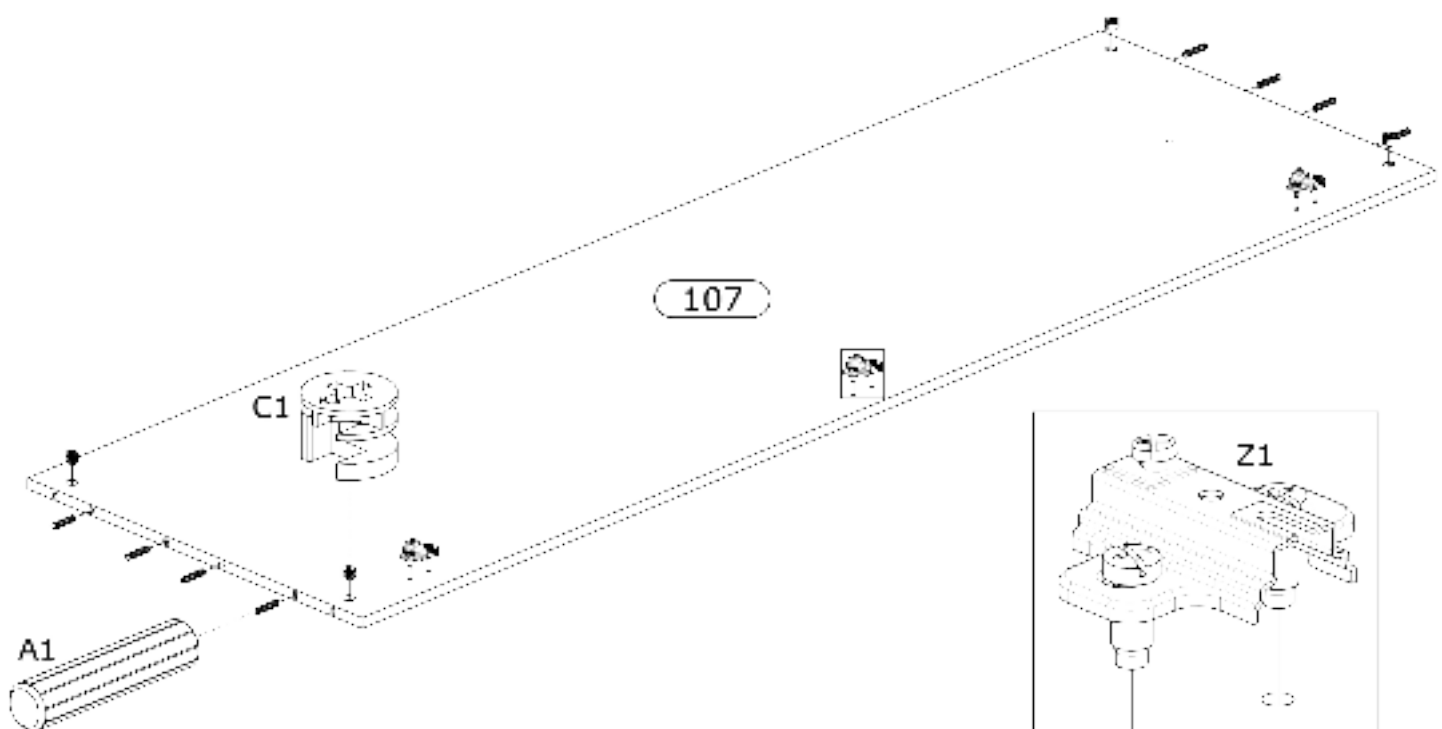
Z1 x 3



50x10, H=2



107



7

A1 x 8



Ø8x35mm

C1 x 4

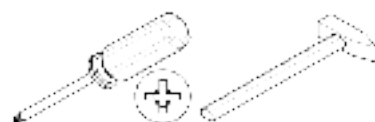


Ø15x12mm

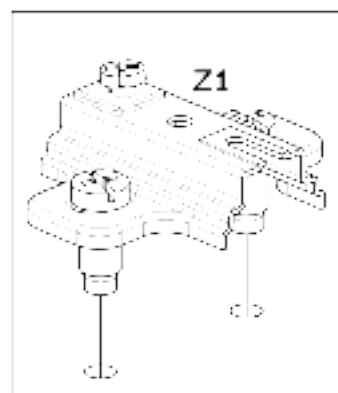
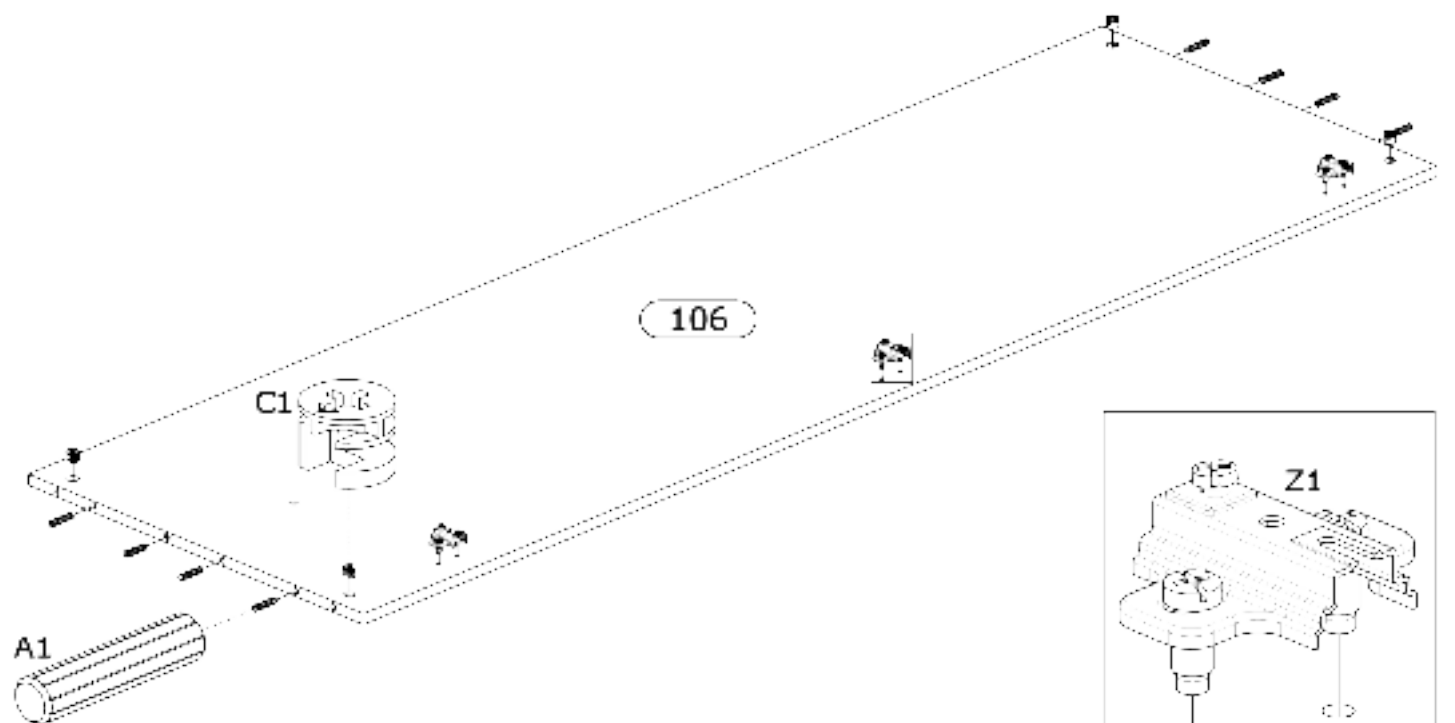
Z1 x 3



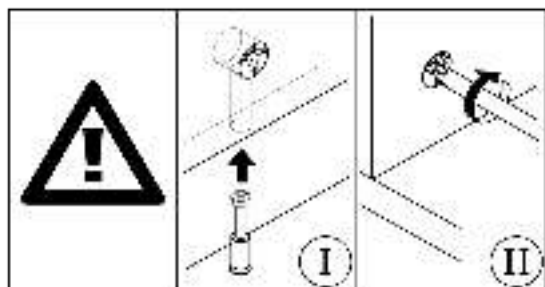
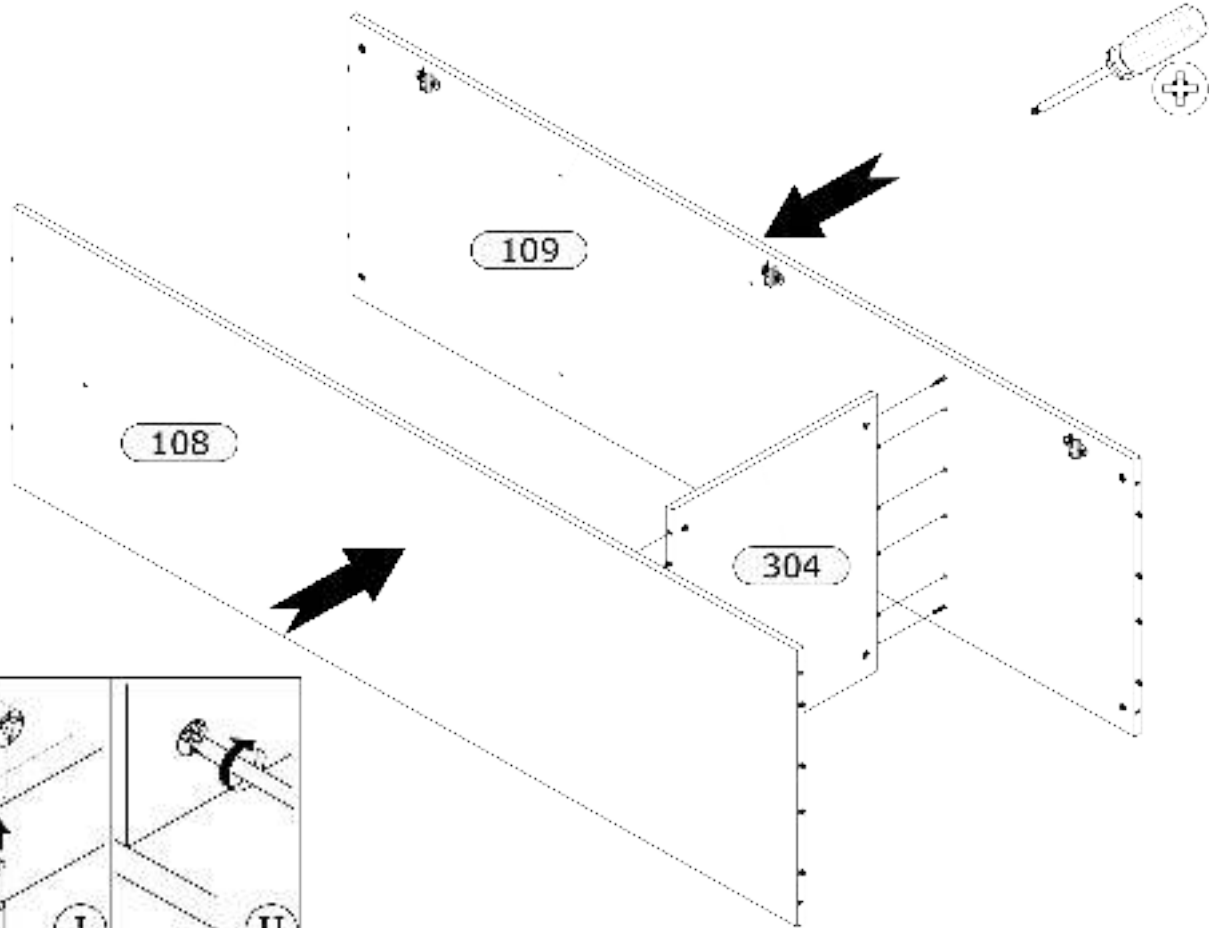
57x40, H=2



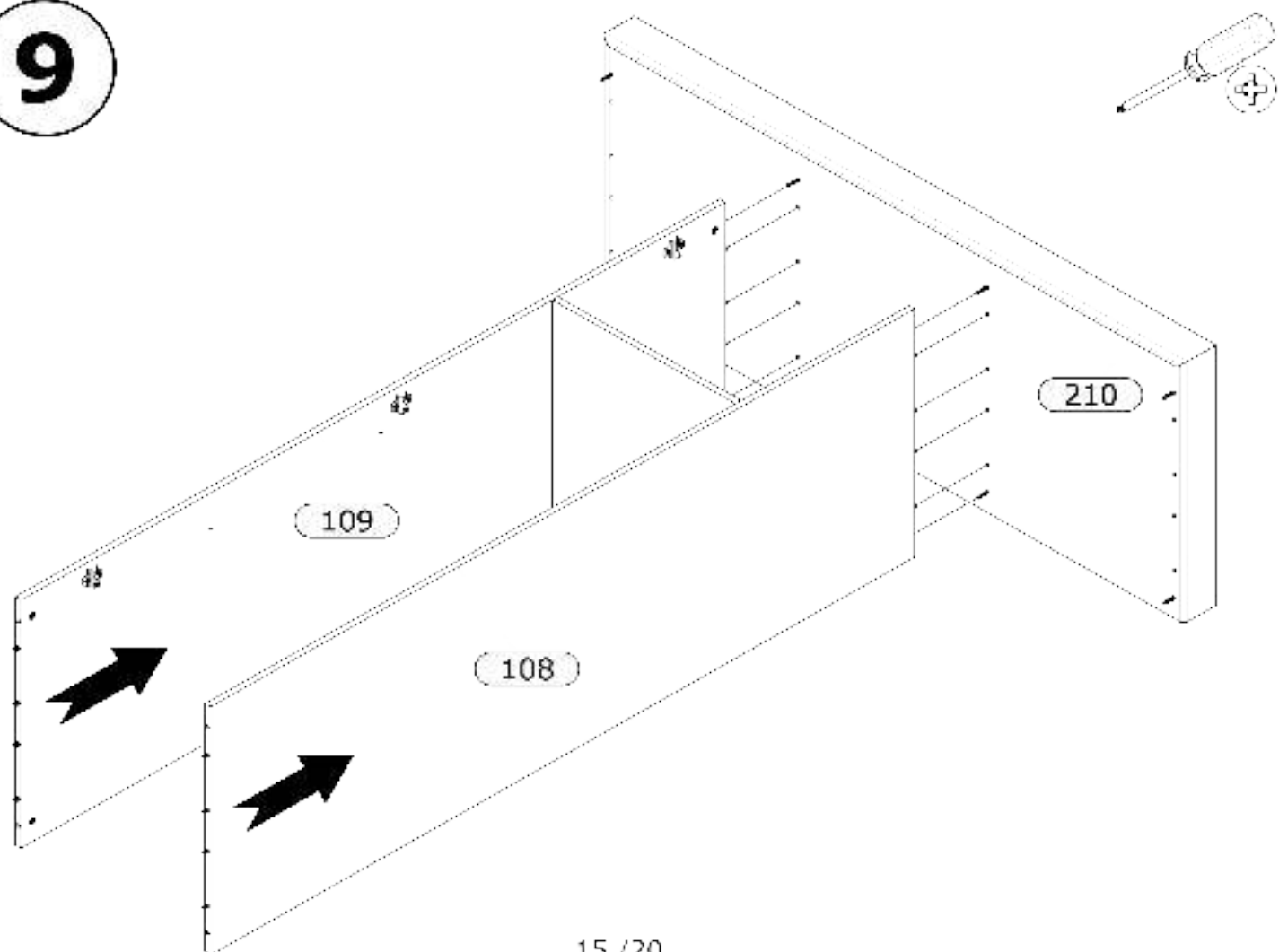
106



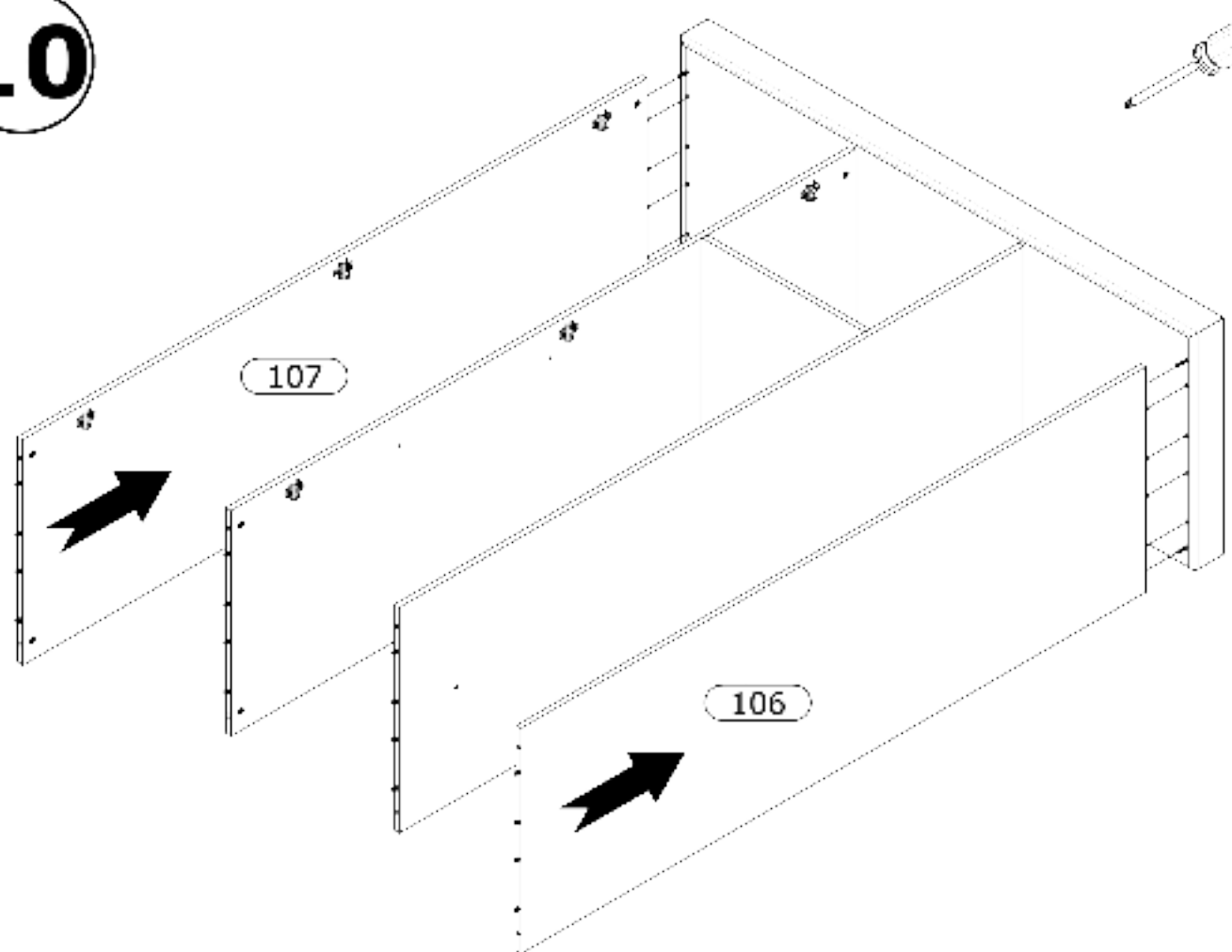
8



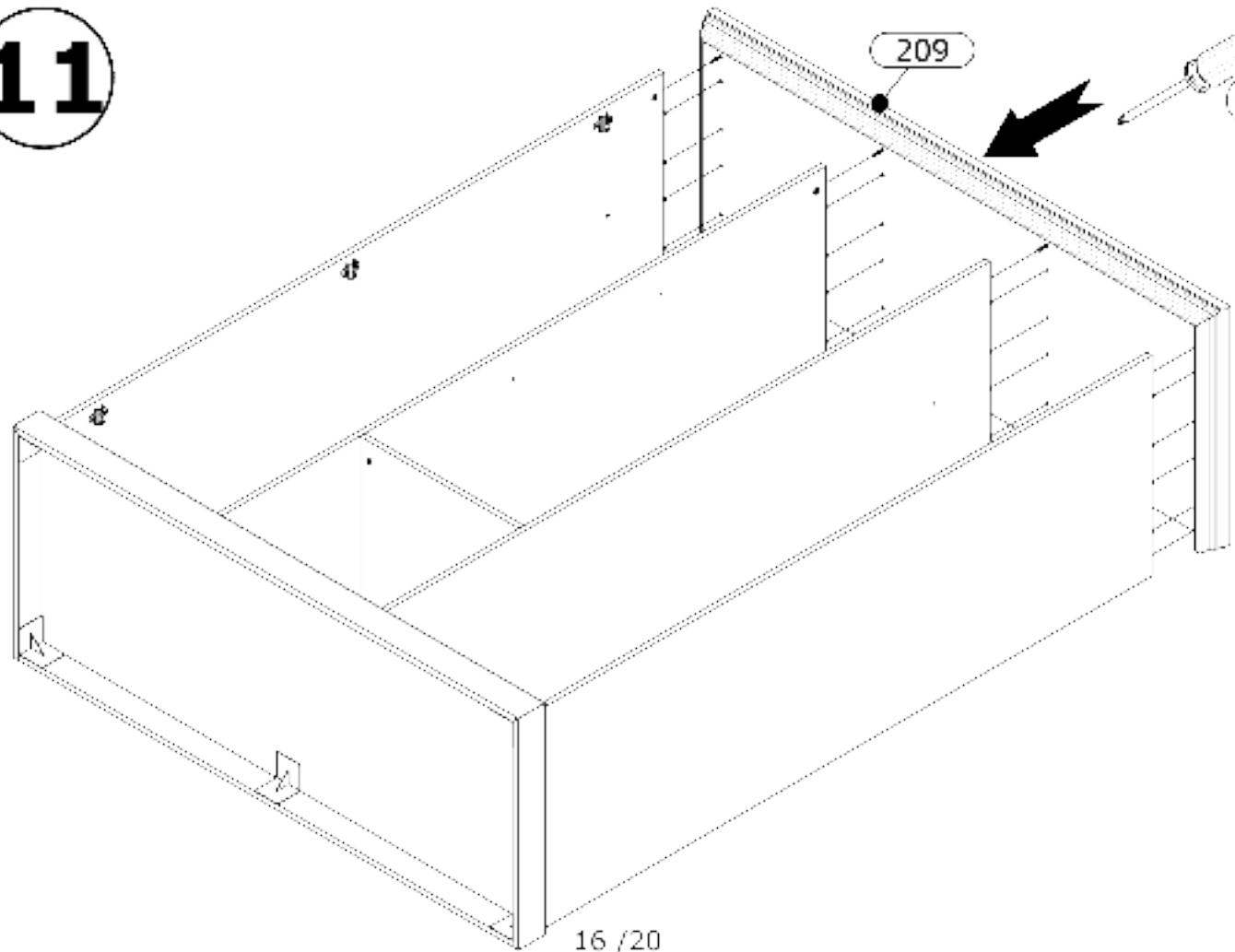
9



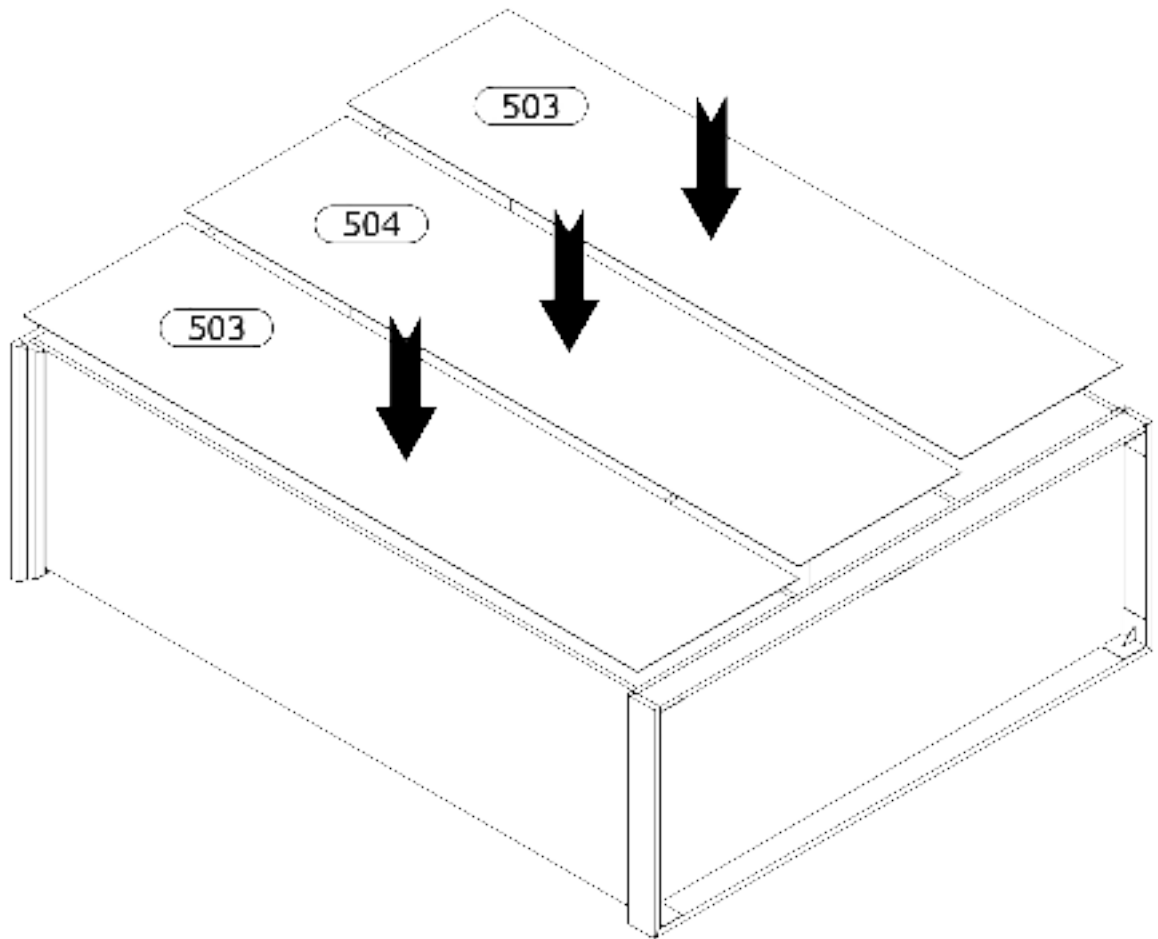
10



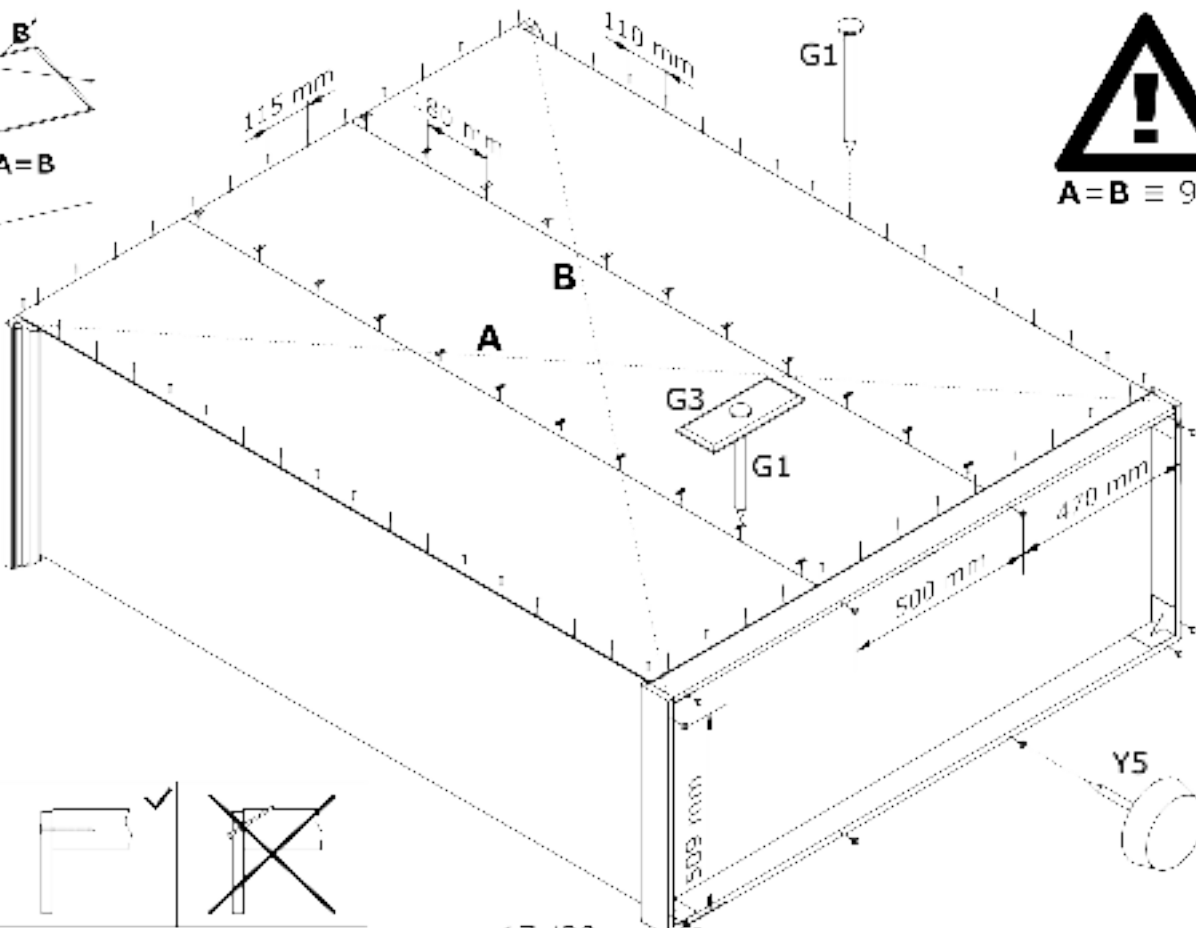
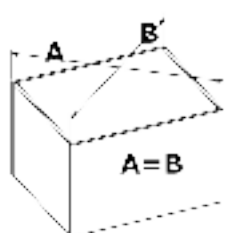
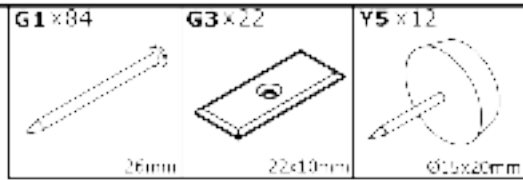
11



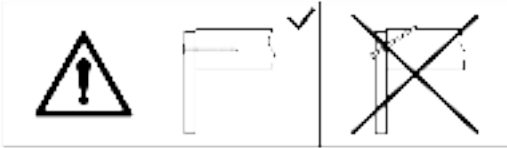
12



13

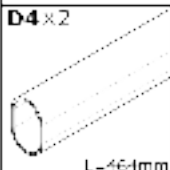


!
A=B = 90°



14

D4 x 2



L=46mm

E1 x 8



Ø8x16mm

E6 x 4

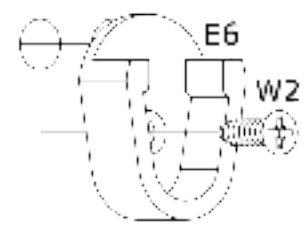
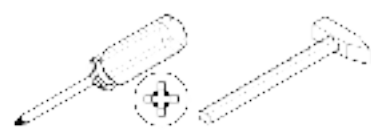
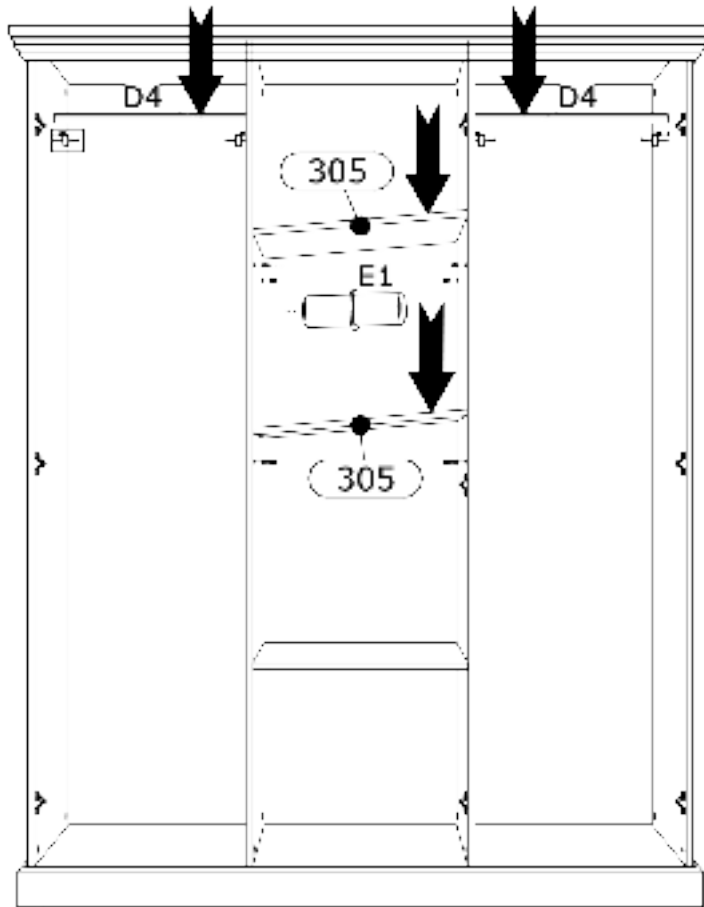


CBx35mm

W2 x 4



Ø3.5x16mm



15

T4 x 2

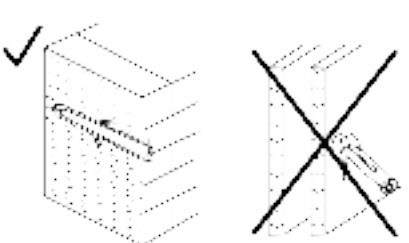
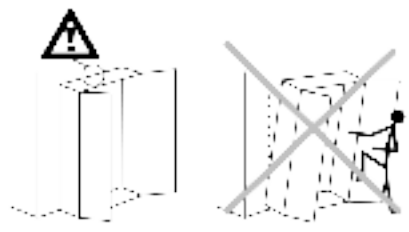
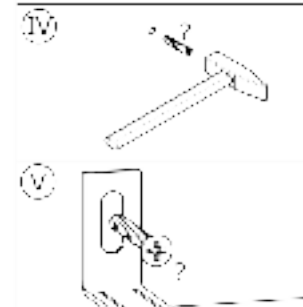
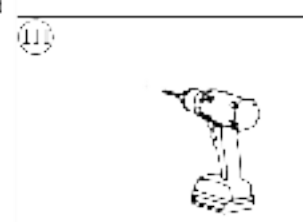
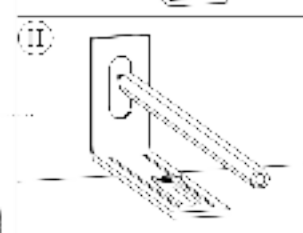
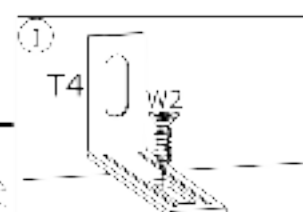
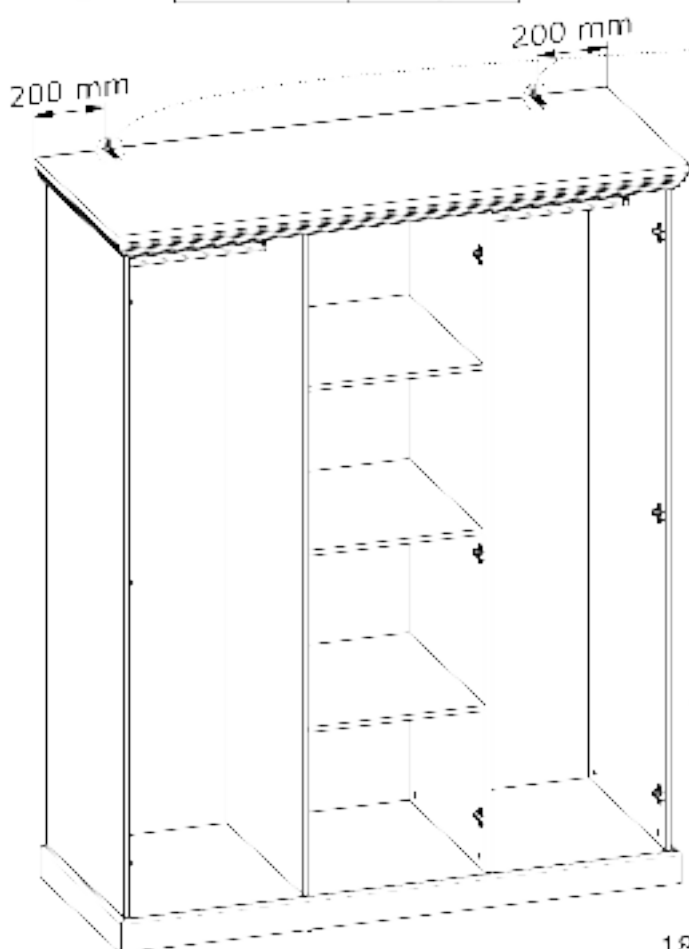
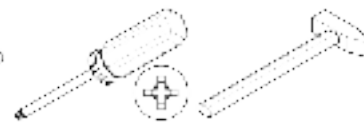


75x28x16 mm

W2 x 4



Ø3.5x16mm



16

W2 x 18

Y1 x 6

Z3 x 6

Z4 x 3

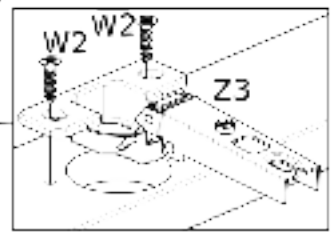
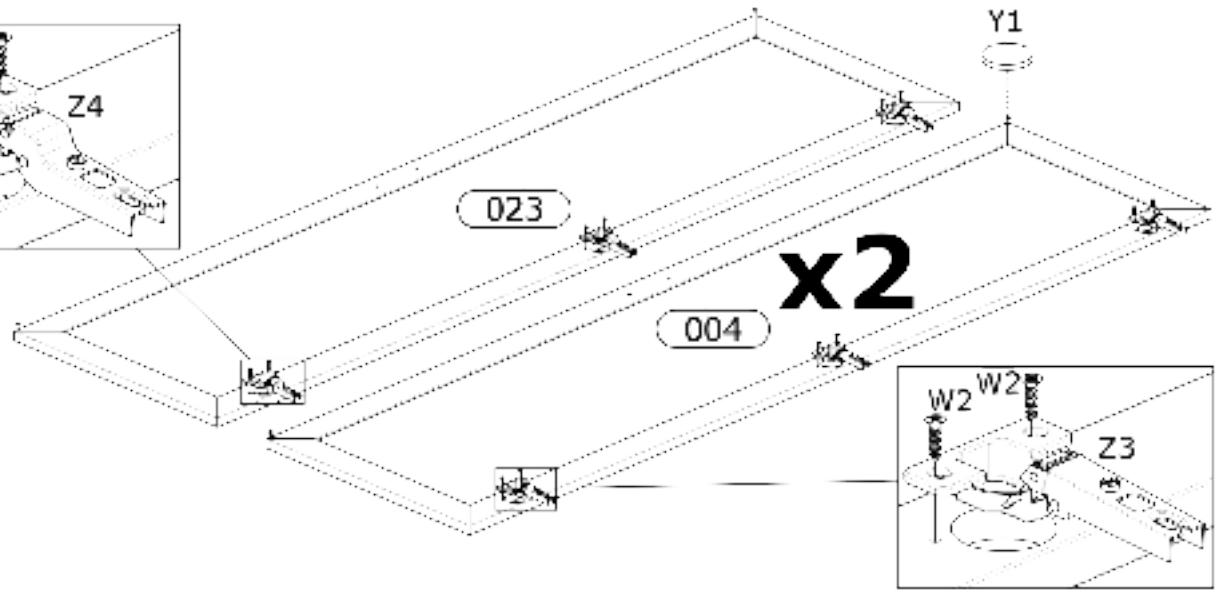
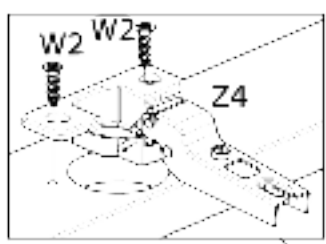
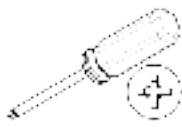


C3,5x1,6mm

O6x1,0mm

O20, 2K0

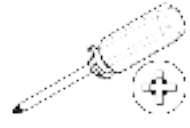
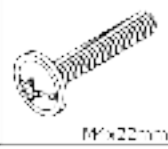
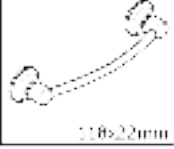
O35mm, 2K9



17

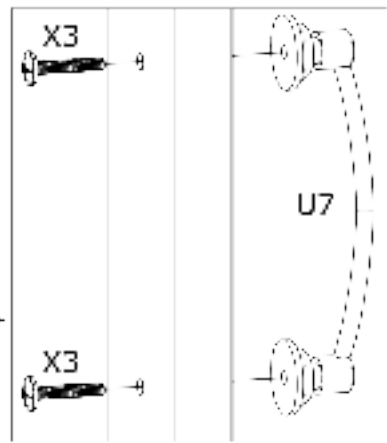
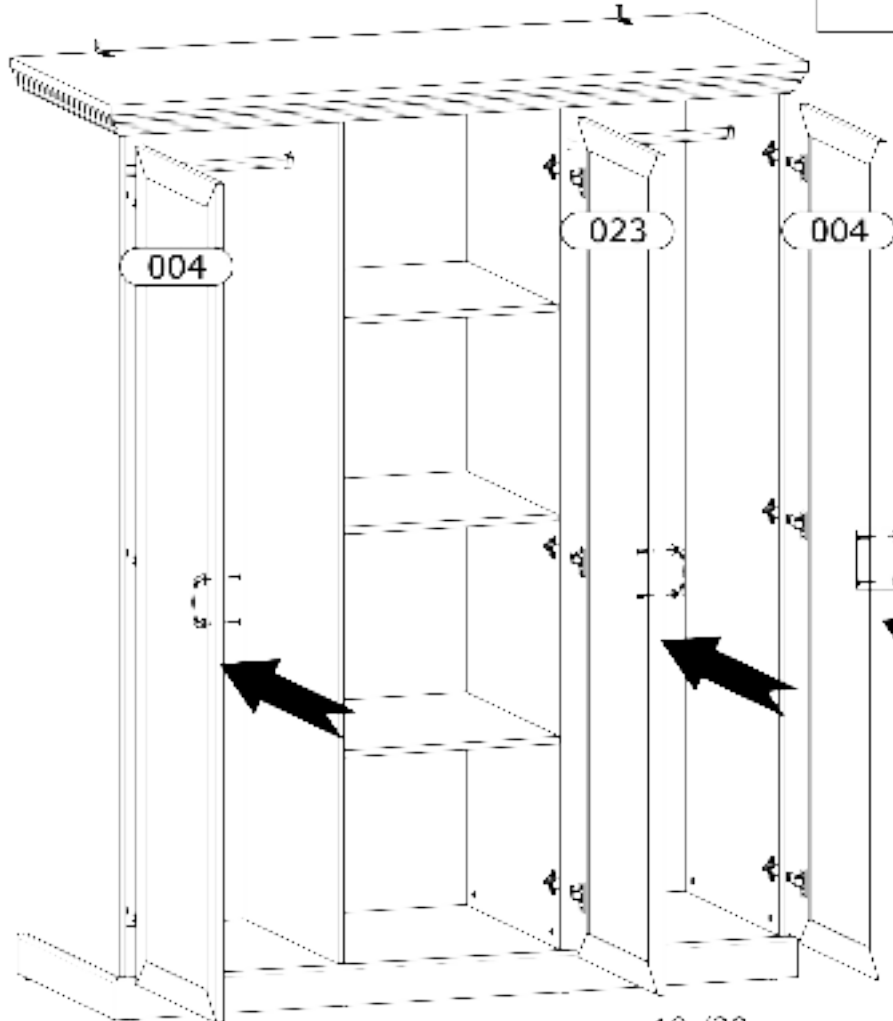
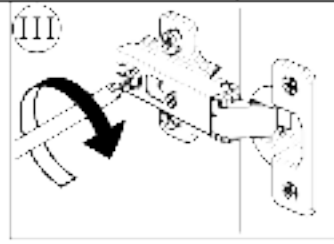
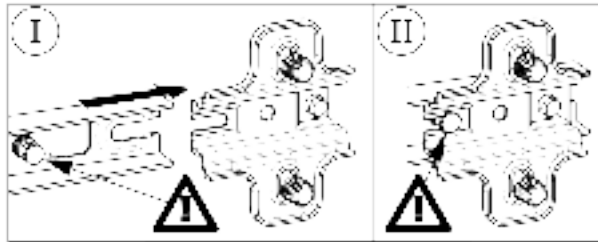
U7 x 3

X3 x 6

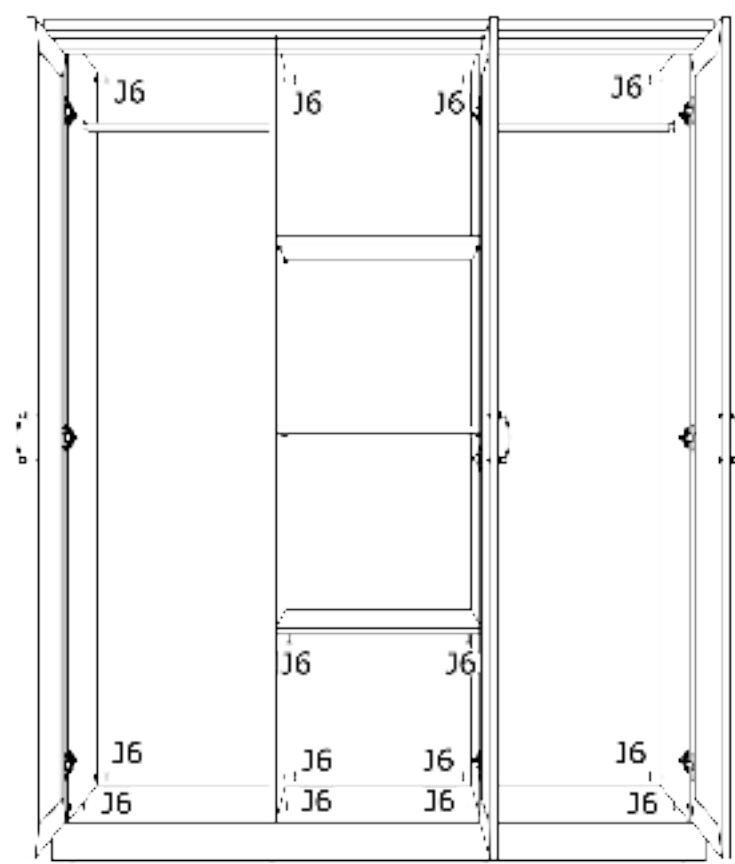
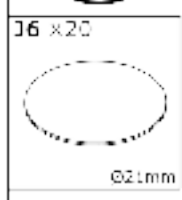


118x22mm

M4x22mm



18



19

