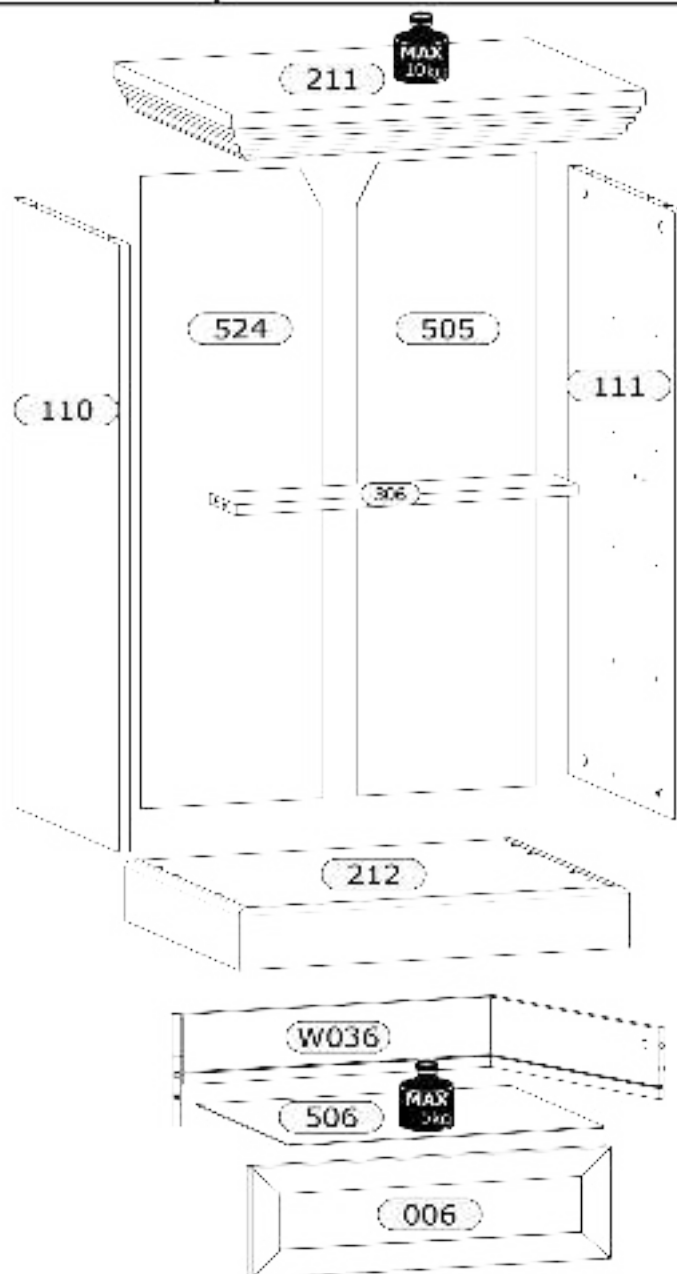
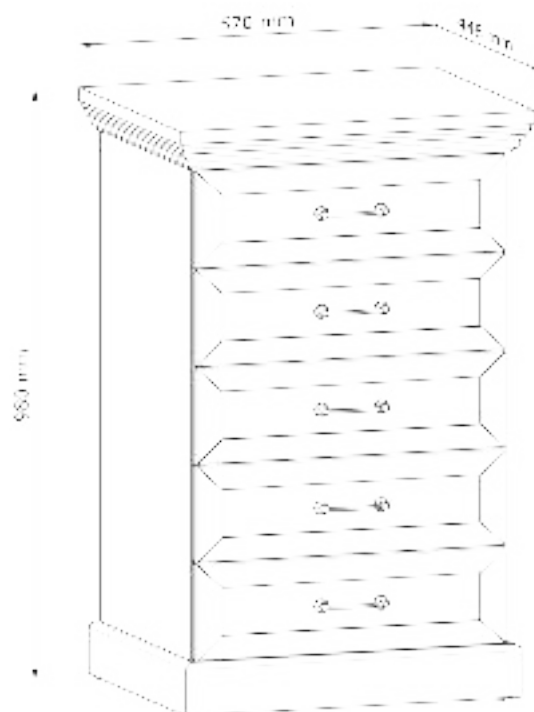
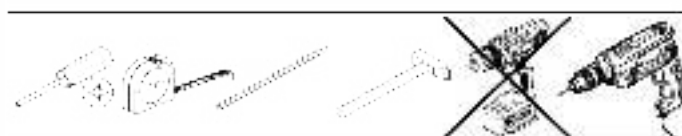


Royal

KS5



x5



A1 x 70 8x35 mm H x L	B1 x 70 8x35 mm J1 x L10	C1 x 10 30x10mm P10-CL x 5	C2 x 10 30x10mm P10-CR x 5	G1 x 77 70mm P10-DL x 5
H x L 64mm	J1 x 10 67mm	P10-DR x 5 70mm	T4 x 1 75x10x15 mm	U7 x 5 114x5mm
W2 x 22 60x22mm	W8 x 20 60x20mm	Y1 x 10 25x10mm	Y5 x 1 21x5x10mm	

Nr	L [mm]	W [mm]	I [mm]	PCS	DOX
006	195	160	18	5	2/3
110	568	100	15	1	1/3
111	568	100	15	1	1/3
211	570	445	72	1	3/3
212	537	428,5	06	1	3/3
306	470	100	15	1	1/3
505	900	248	2,5	1	1/3
506	432	351	2,5	5	3/3
524	900	248	2,5	1	1/3
W036	1145	100	12	5	1/3



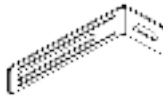
1

B1 x 8



Ø5x39mm

T4 x 1



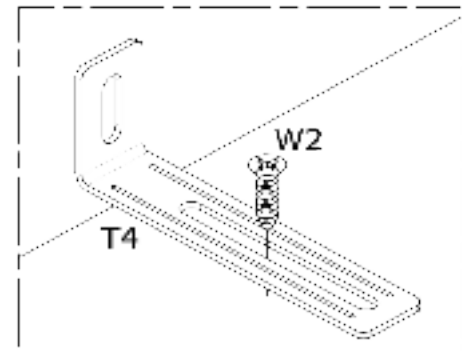
75x28x18mm

W2 x 1



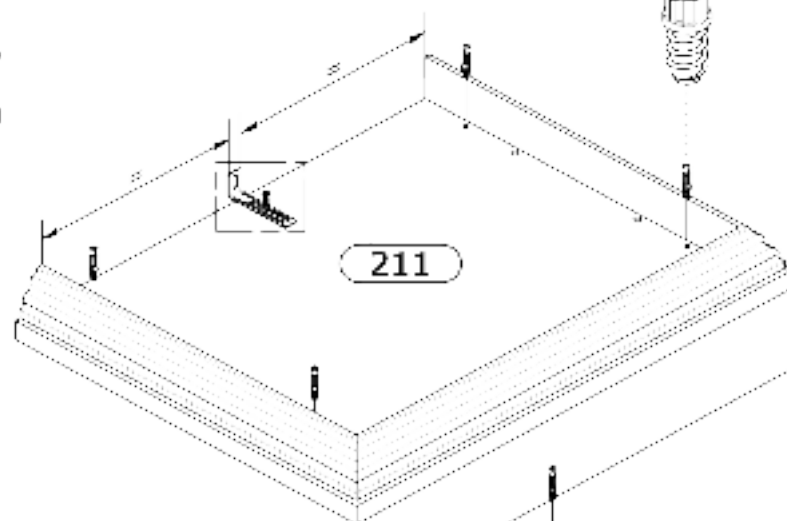
Ø3,5x16mm

B1

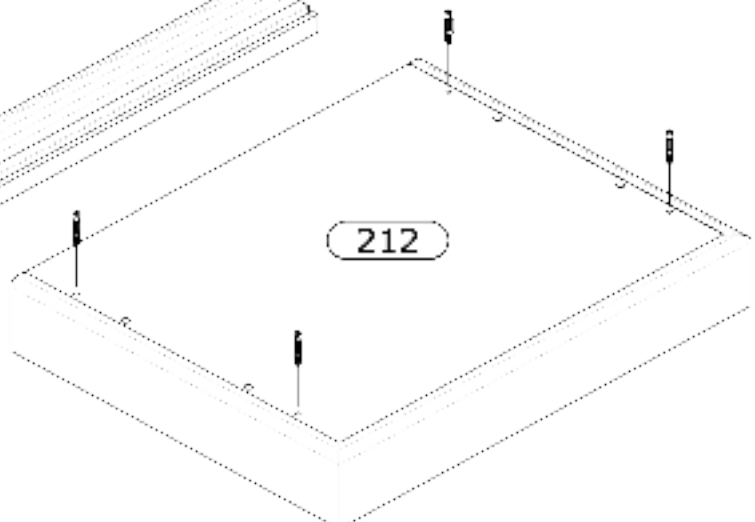


T4

W2



211



212



2

A1 x 10



Ø8x35mm

B1 x 2

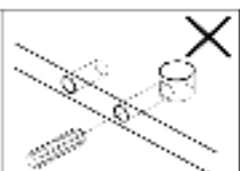


Ø5x38mm

C1 x 10



Ø15x12mm

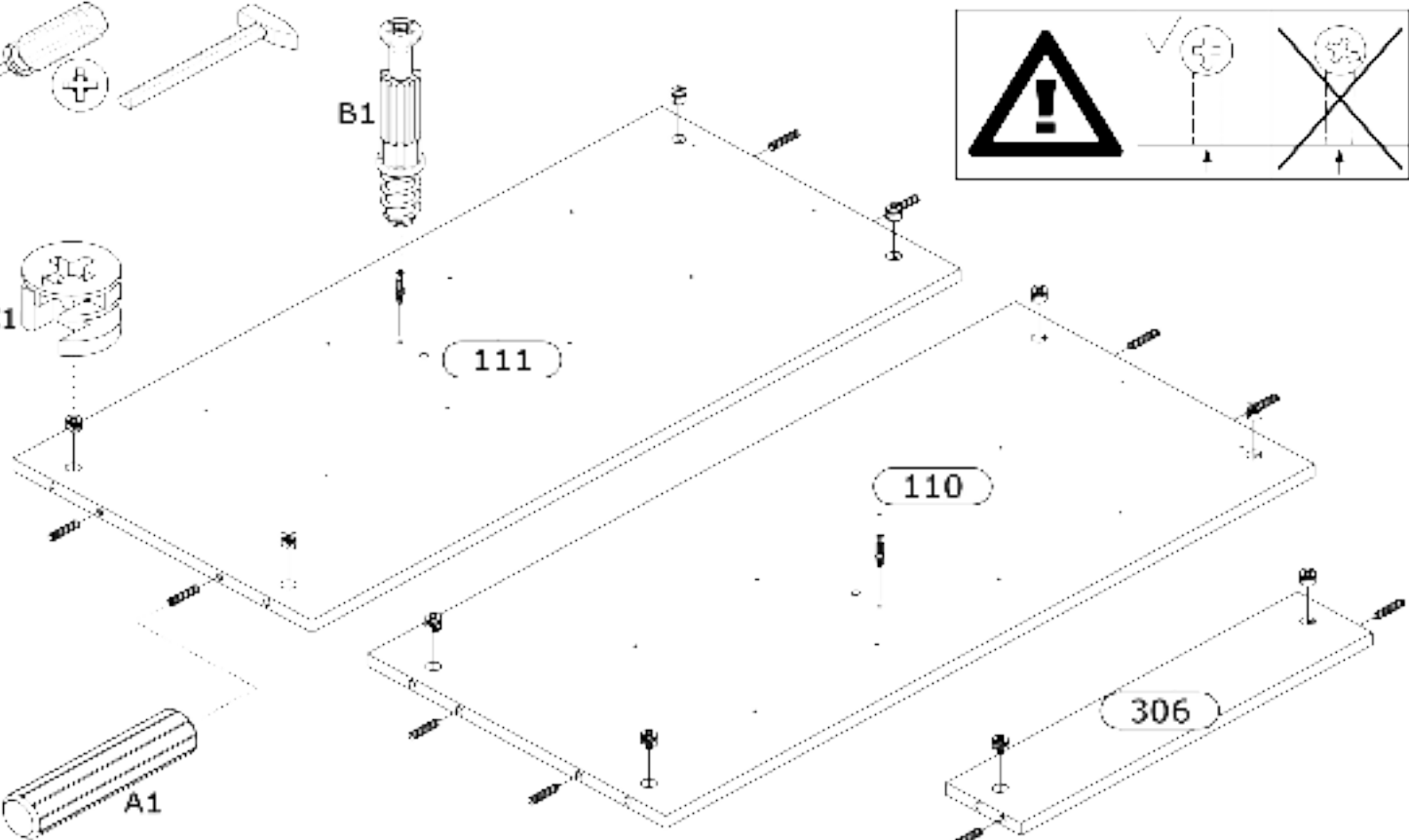
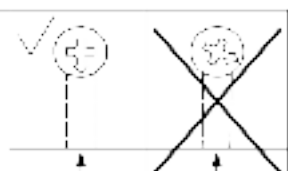


B1



C1

111



110

306

A1

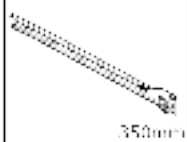
3

P10-CL x 4



350mm

P10-CR x 4

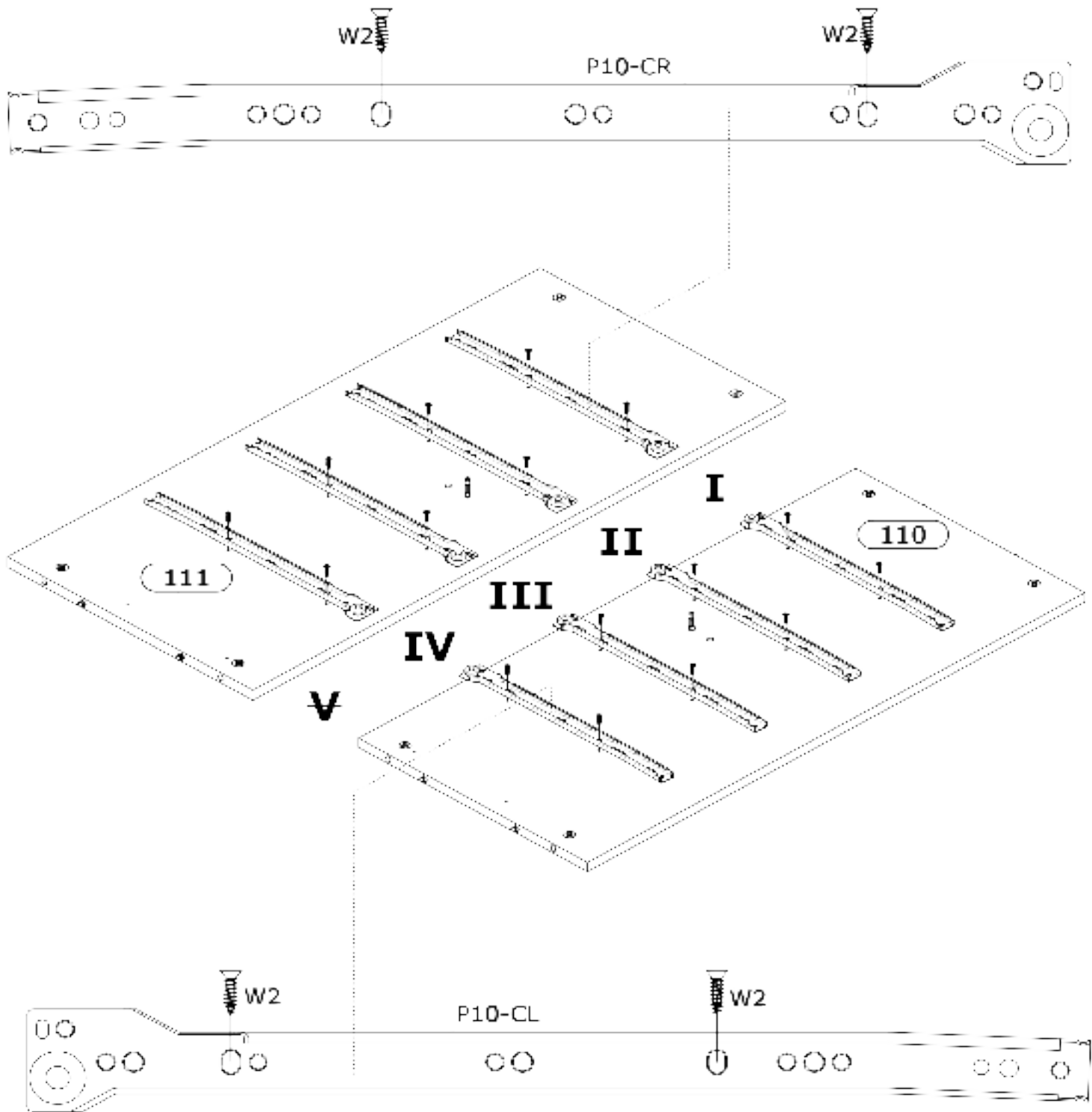
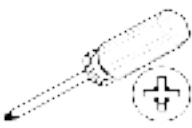


350mm

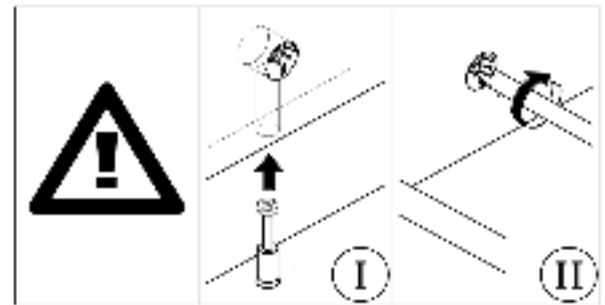
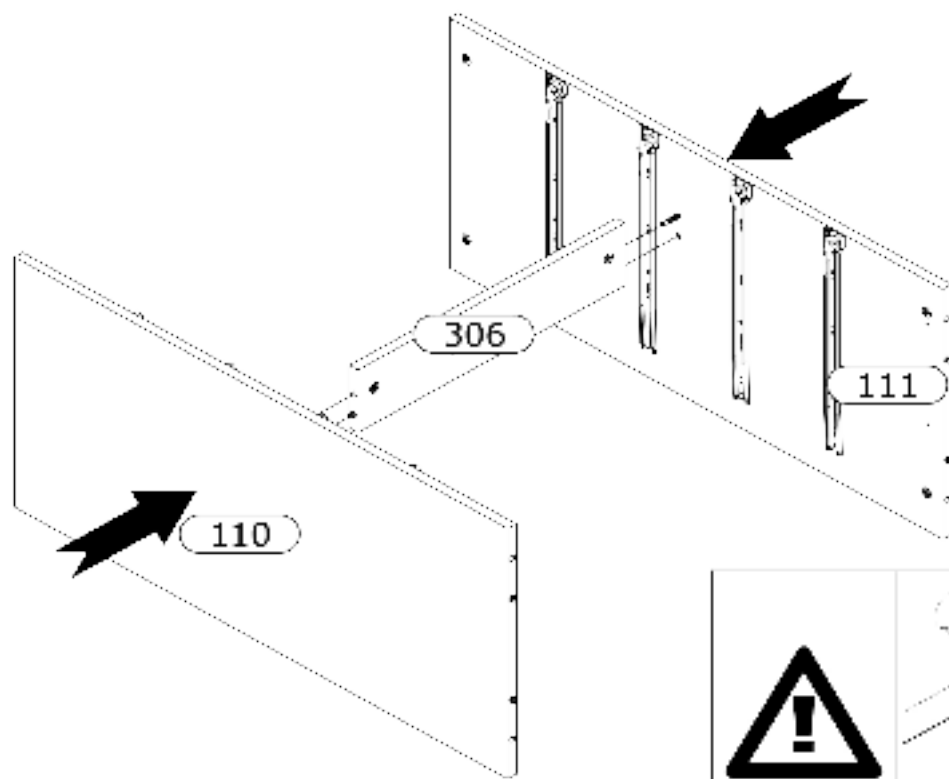
W2 x 16



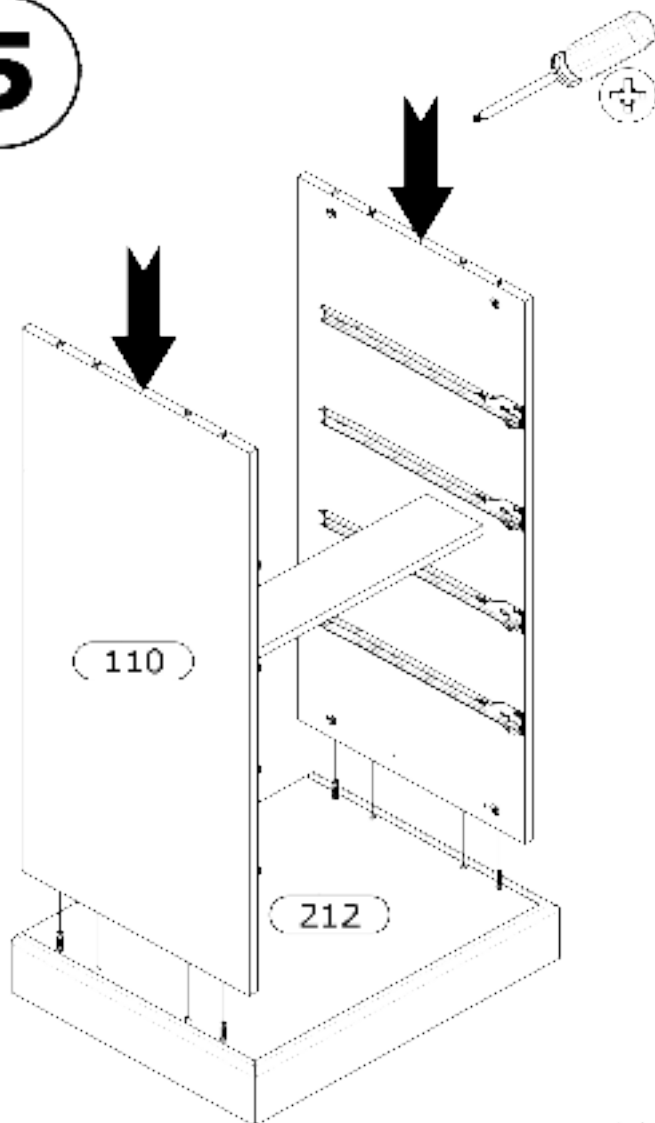
Ø3,5 x 16mm



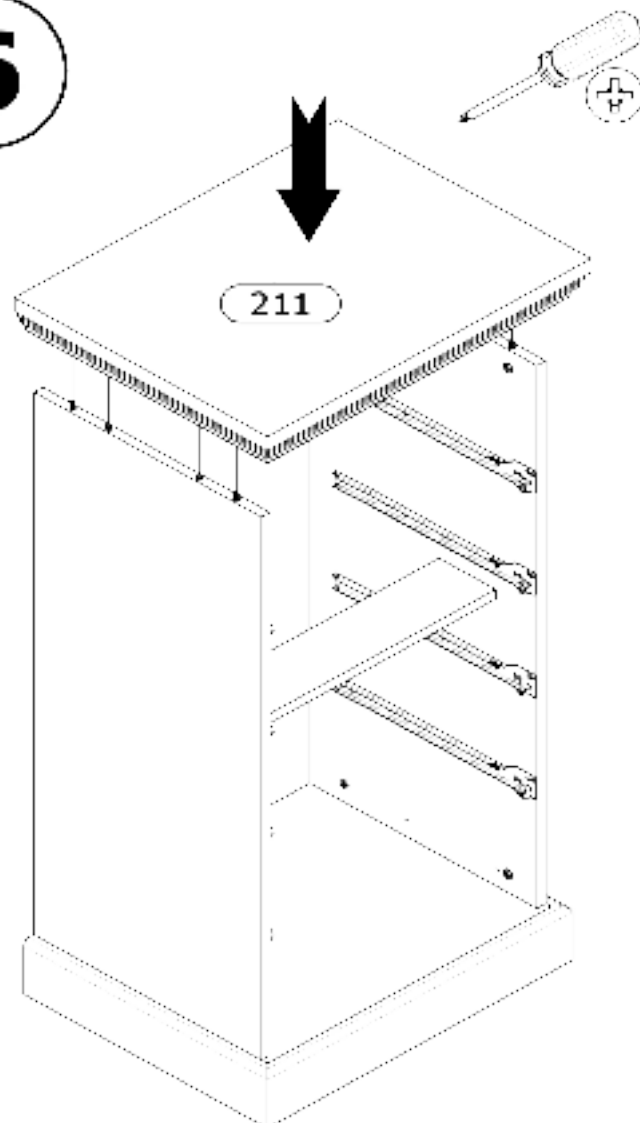
4



5

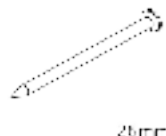


6



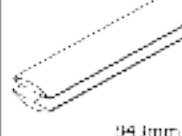
7

G1x22



26mm

Hx1



94mm

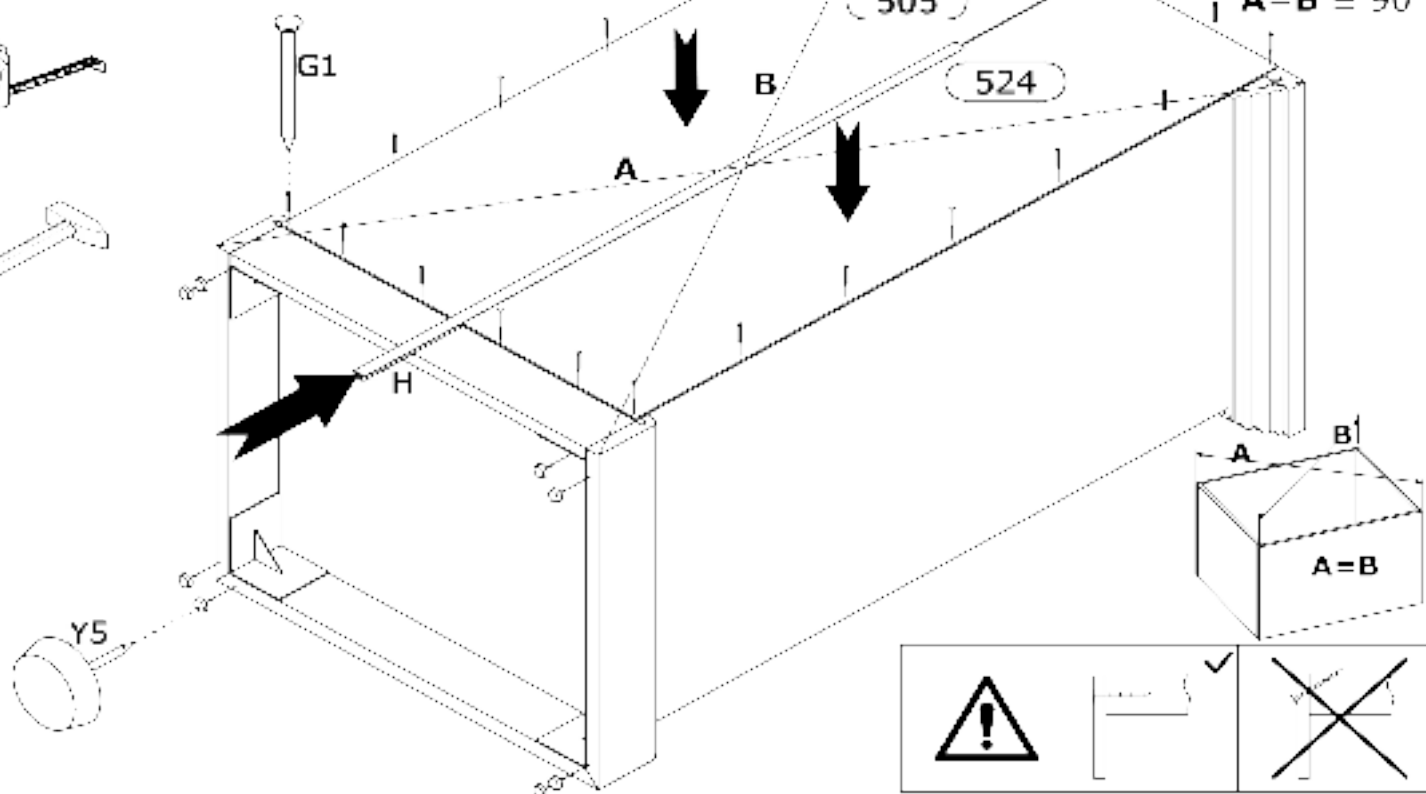
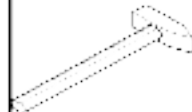
Y5 x B



Ø15x20mm



A=B ≡ 90°

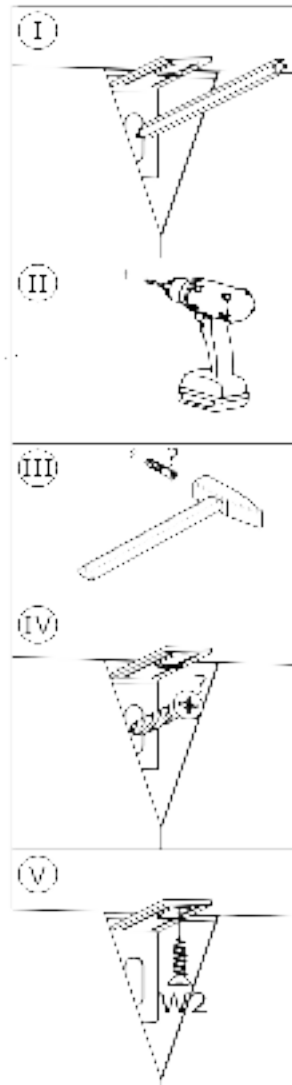
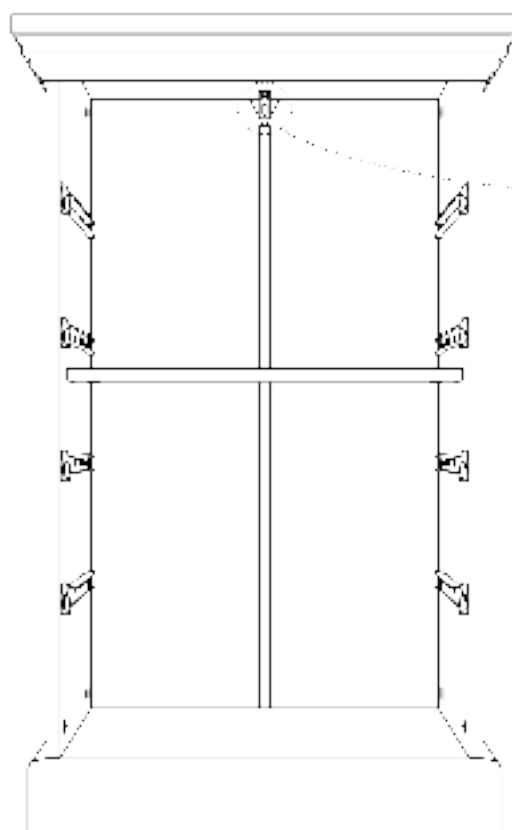
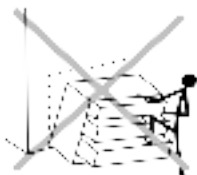
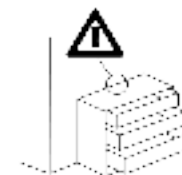
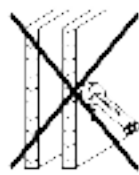
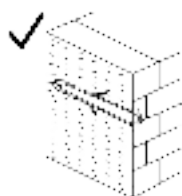
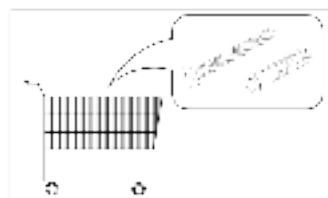


8

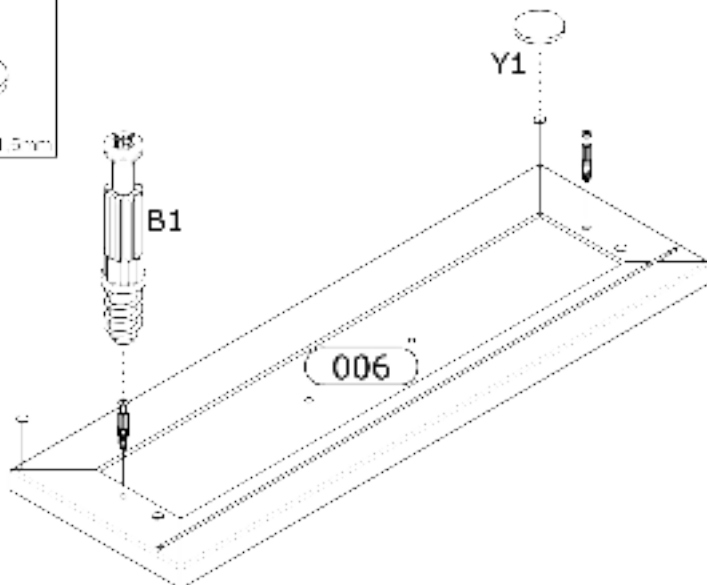
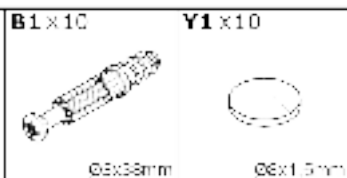
W2x1



Ø3,5x16mm

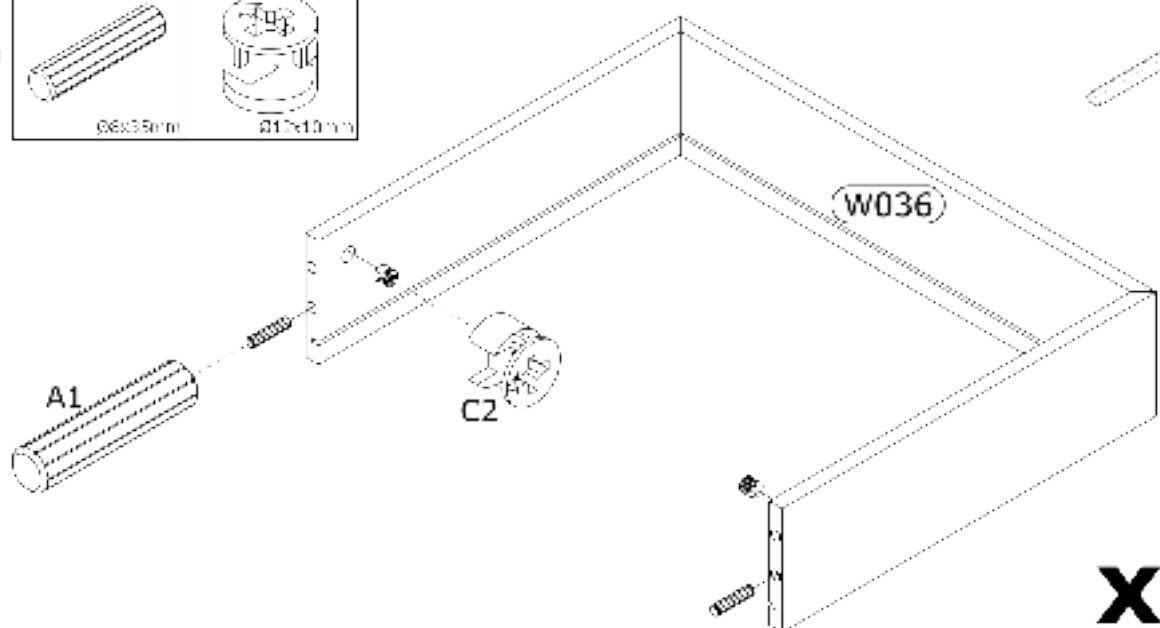
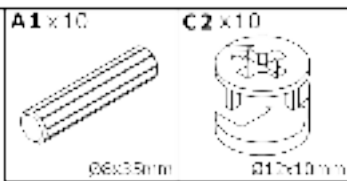


9



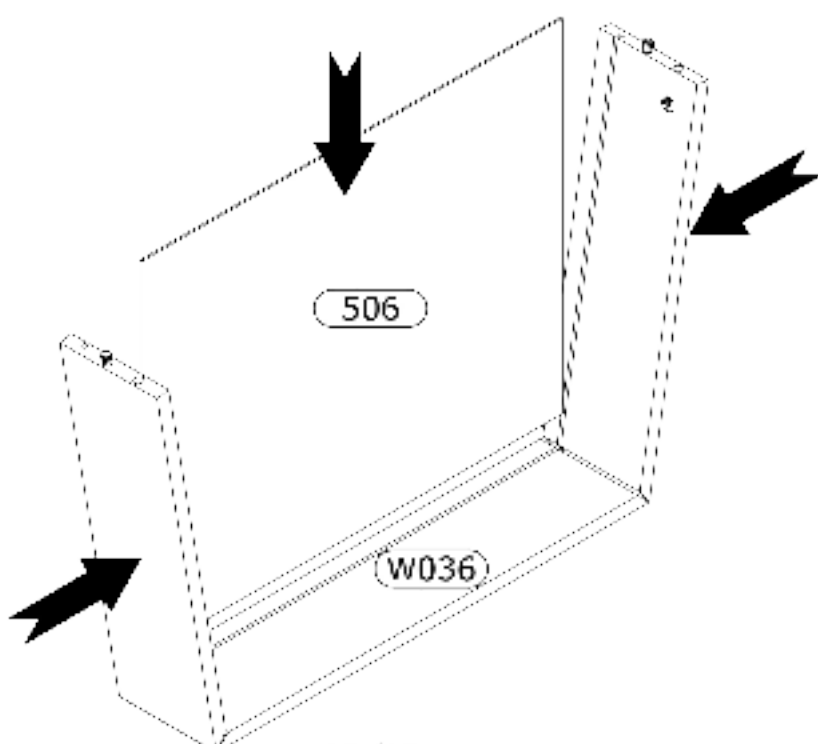
x5

10



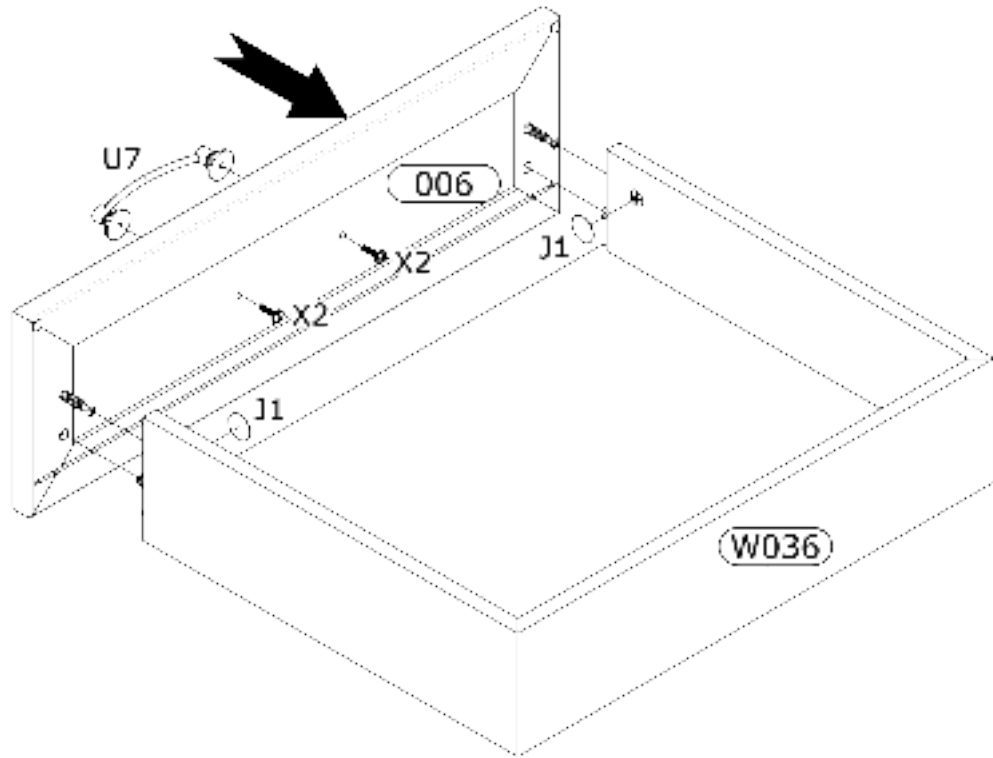
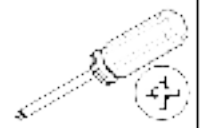
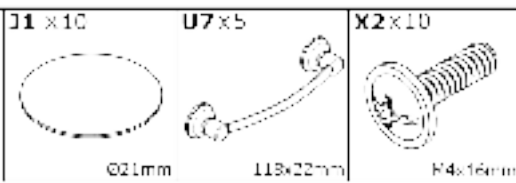
x5

11

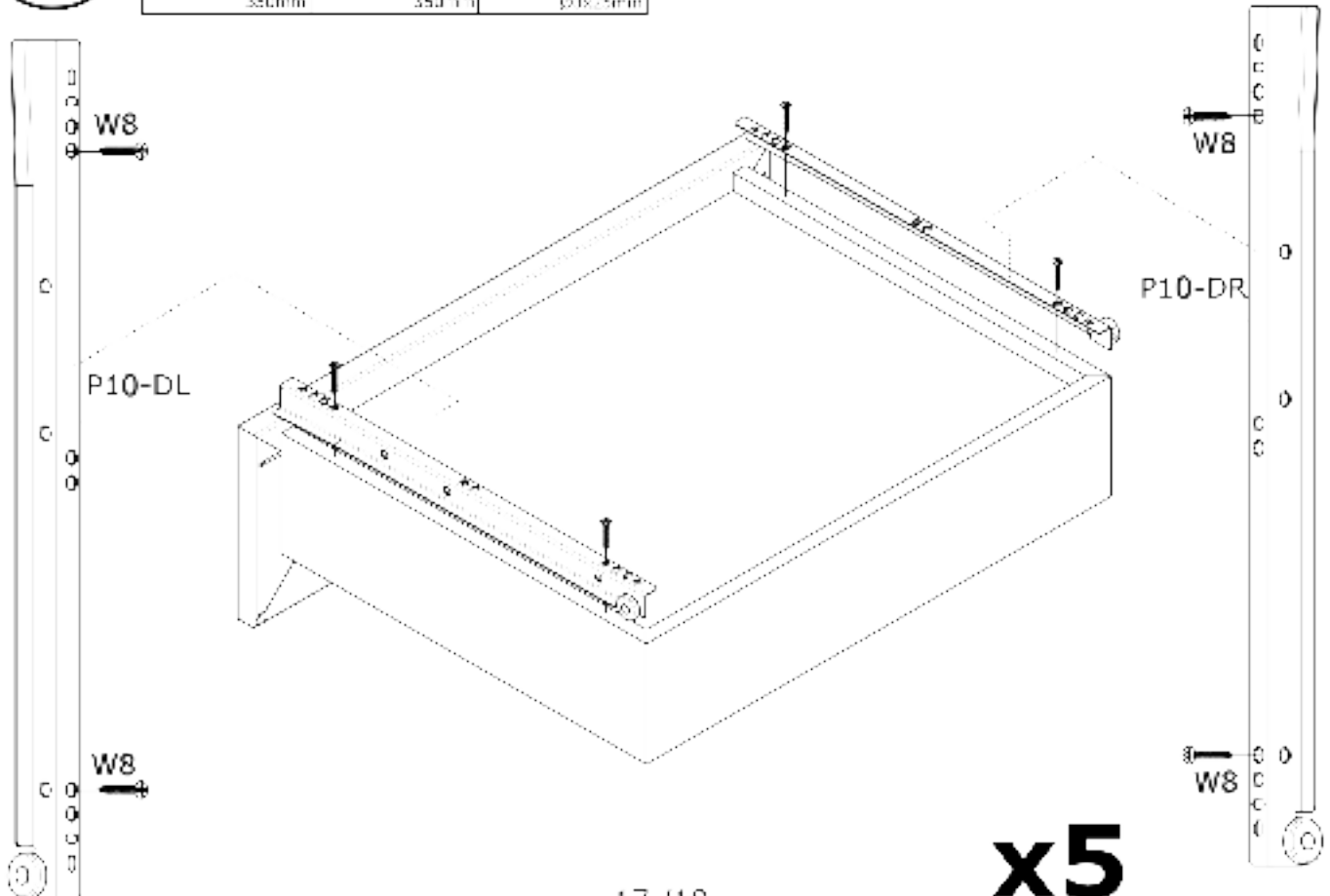
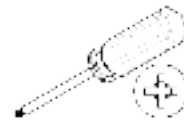


x5

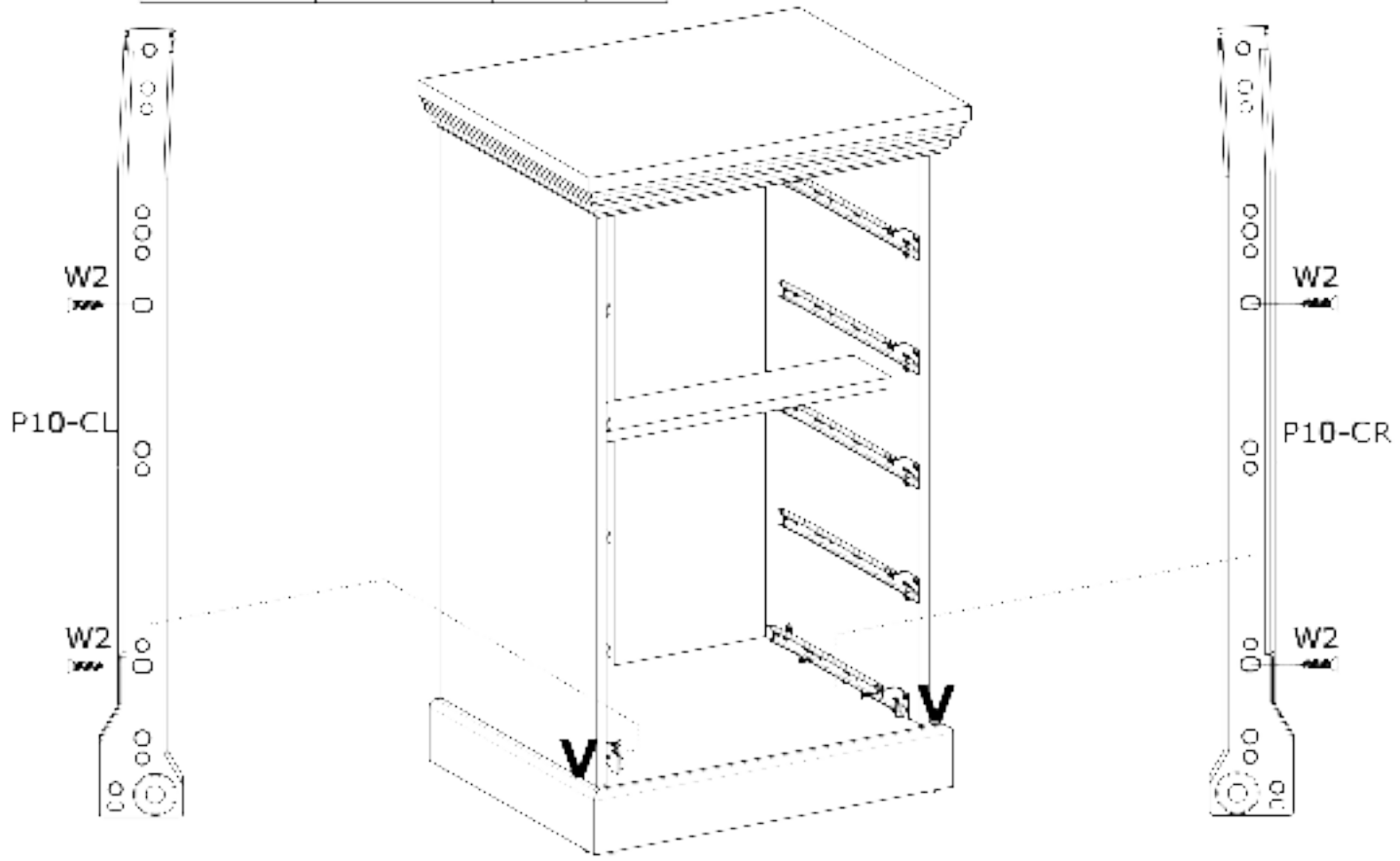
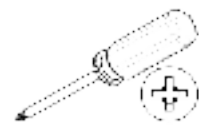
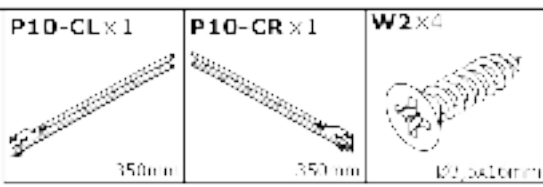
12



13



14



15

