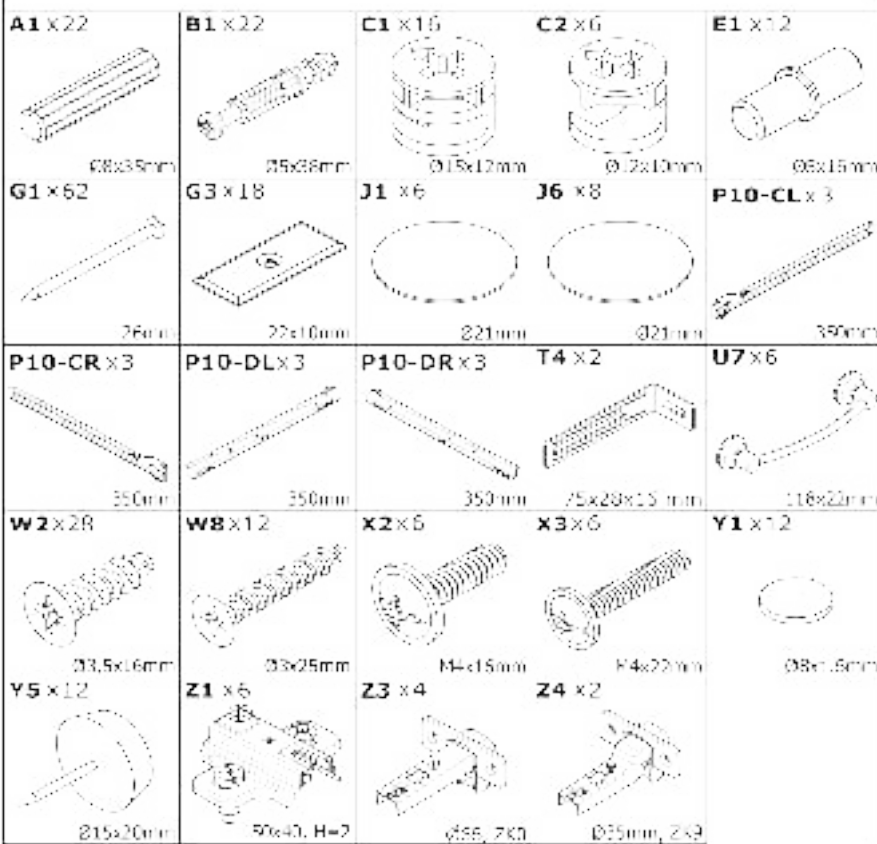
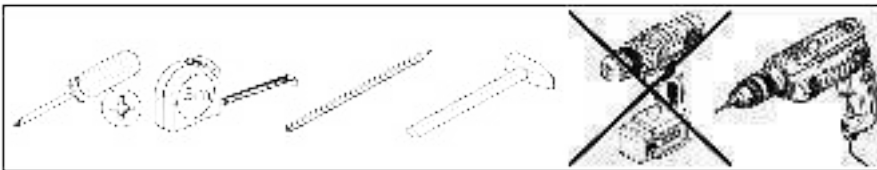
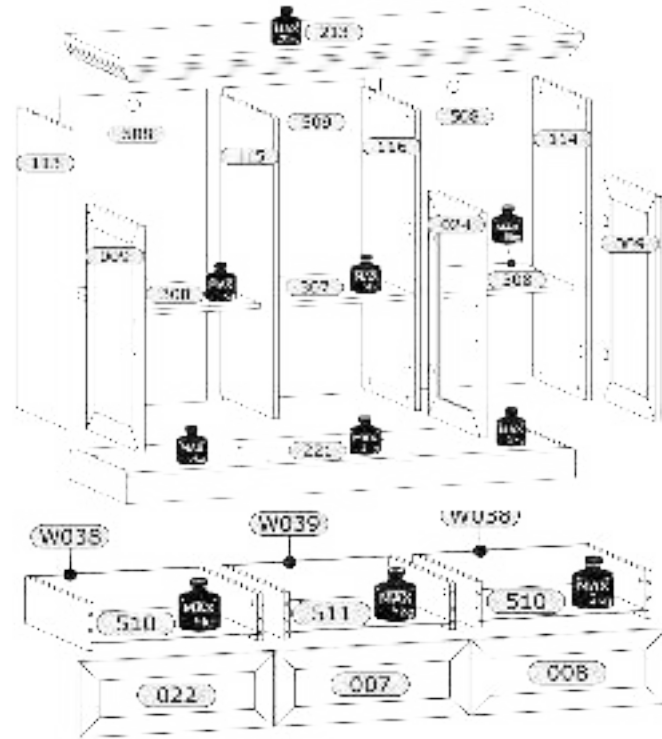
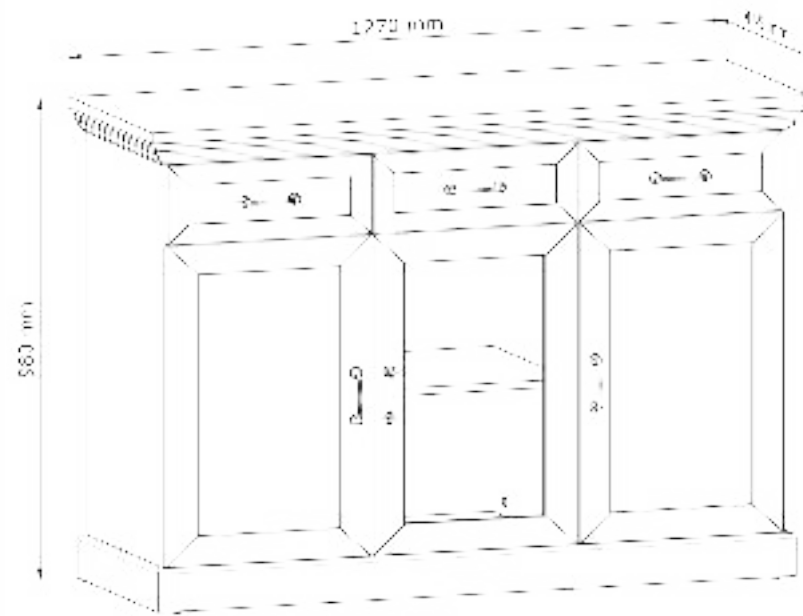


Royal

K1S

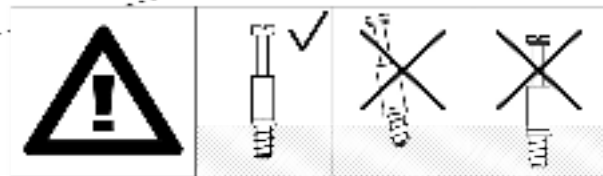
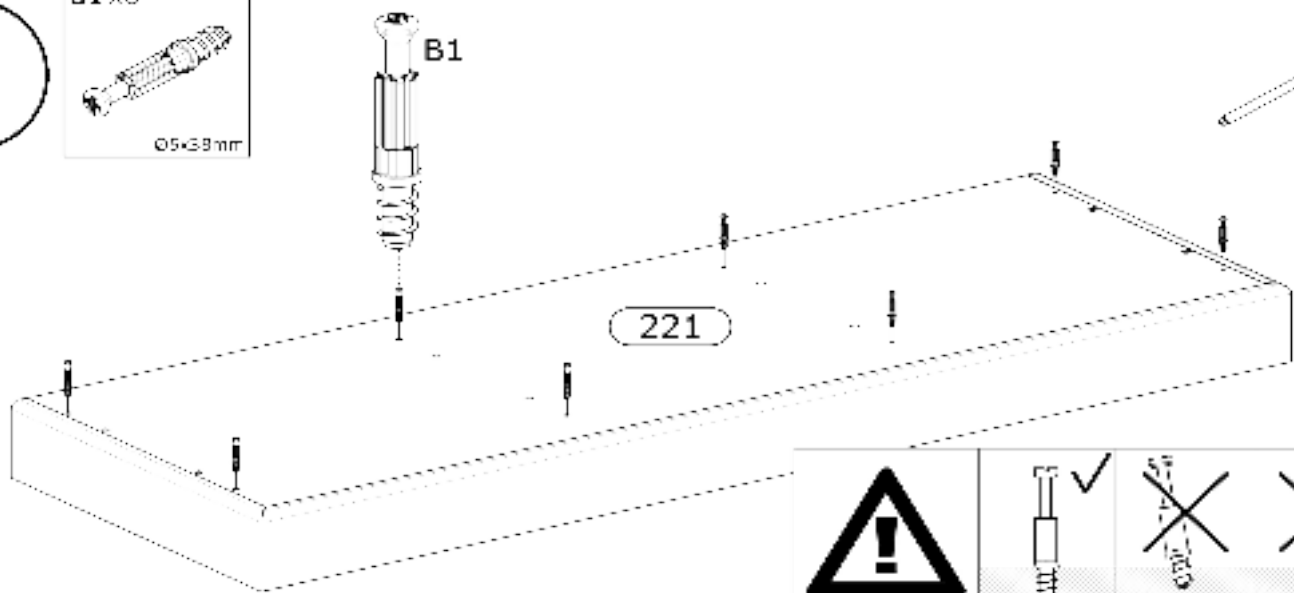


Nr	L[mm]	W[mm]	H[mm]	PCS	BOX
007	395	160	18	1	2/3
008	395	160	18	1	2/3
009	650	395	18	2	2/3
022	395	160	18	1	2/3
024	650	395	18	1	2/3
113	868	400	15	1	1/3
114	868	400	15	1	1/3
115	868	400	15	1	1/3
116	868	400	15	1	1/3
213	1270	445	72	1	3/3
221	1237	428.5	66	1	3/3
307	375	400	15	1	1/3
308	382	400	15	2	1/3
508	902	402	2.5	2	3/3
509	902	390	2.5	1	3/3
510	352	344	2.5	2	3/3
511	351	336	2.5	1	3/3
W038	1057	100	12	2	1/3
W039	1049	100	12	1	1/3



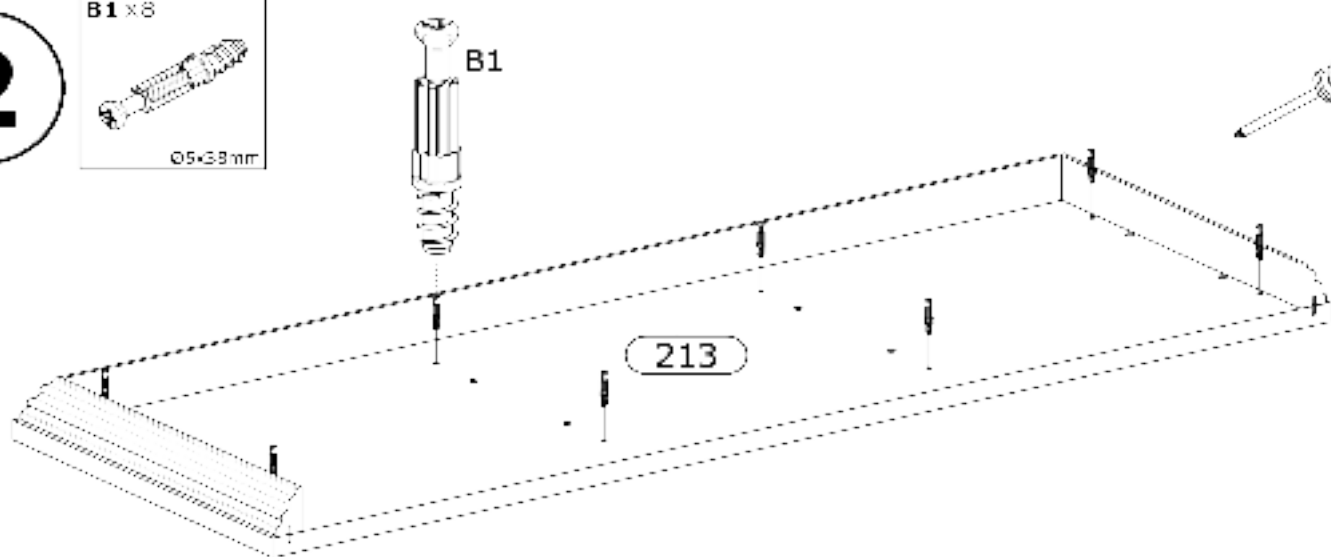
1

B1 x 8
Ø5x33mm



2

B1 x 8
Ø5x33mm

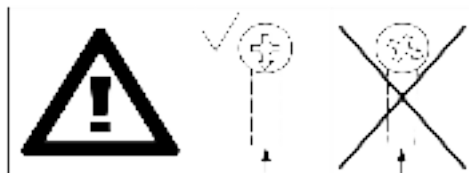
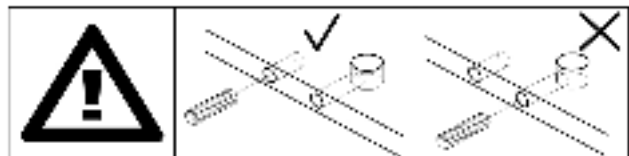
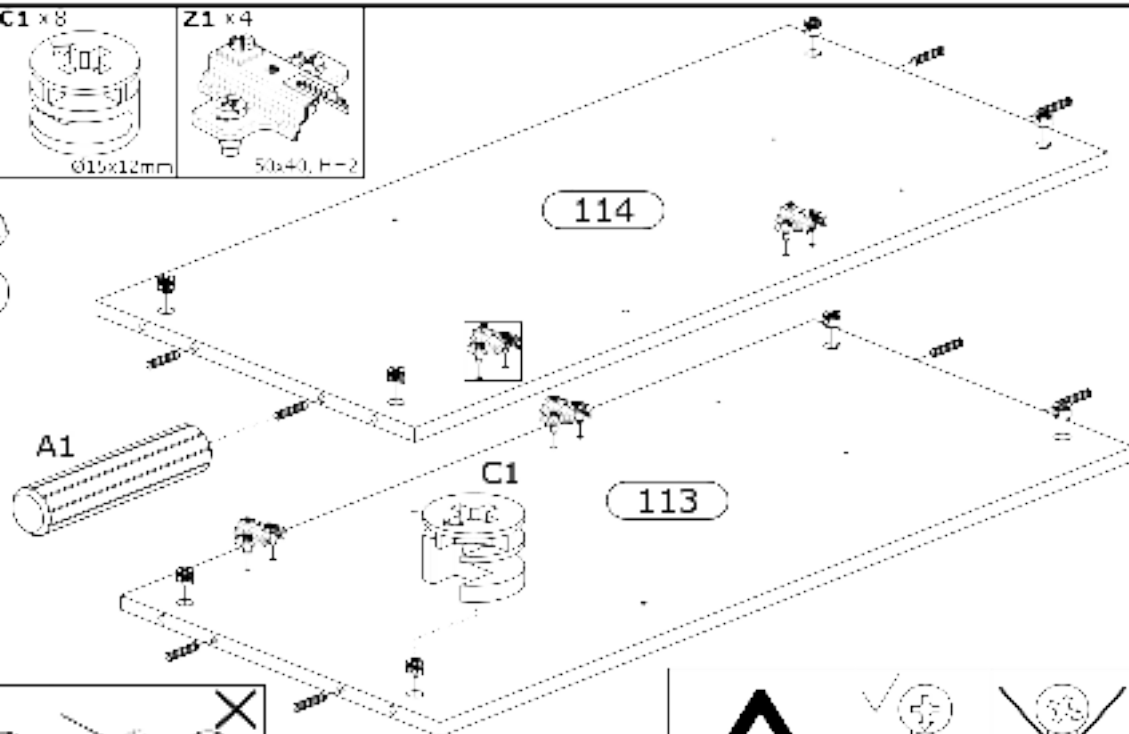
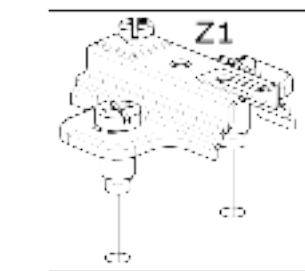


3

A1 x 8
Ø9x35mm

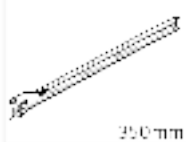
C1 x 8
Ø15x12mm

Z1 x 4
50x40, F-2



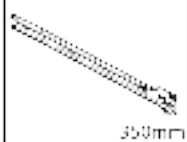
4

P10-CL x 1



250mm

P10-CR x 1



350mm

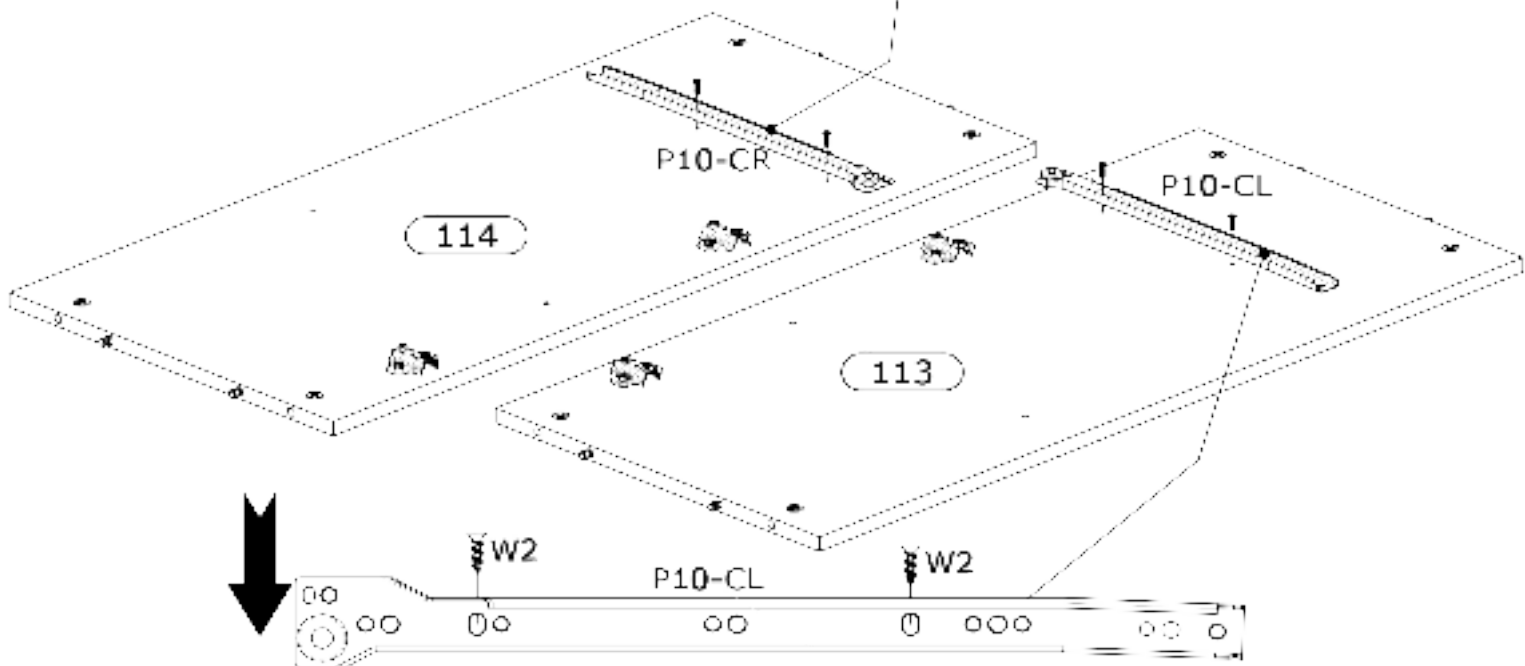
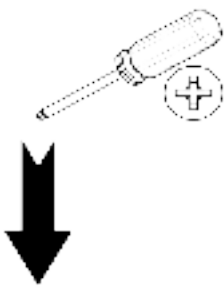
W2 x 4



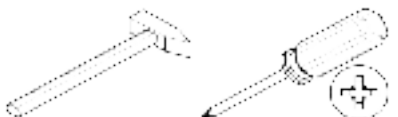
W2

P10-CR

W2



5



A1 x 8



Ø3x35mm

C1 x 8

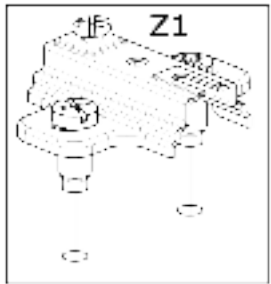
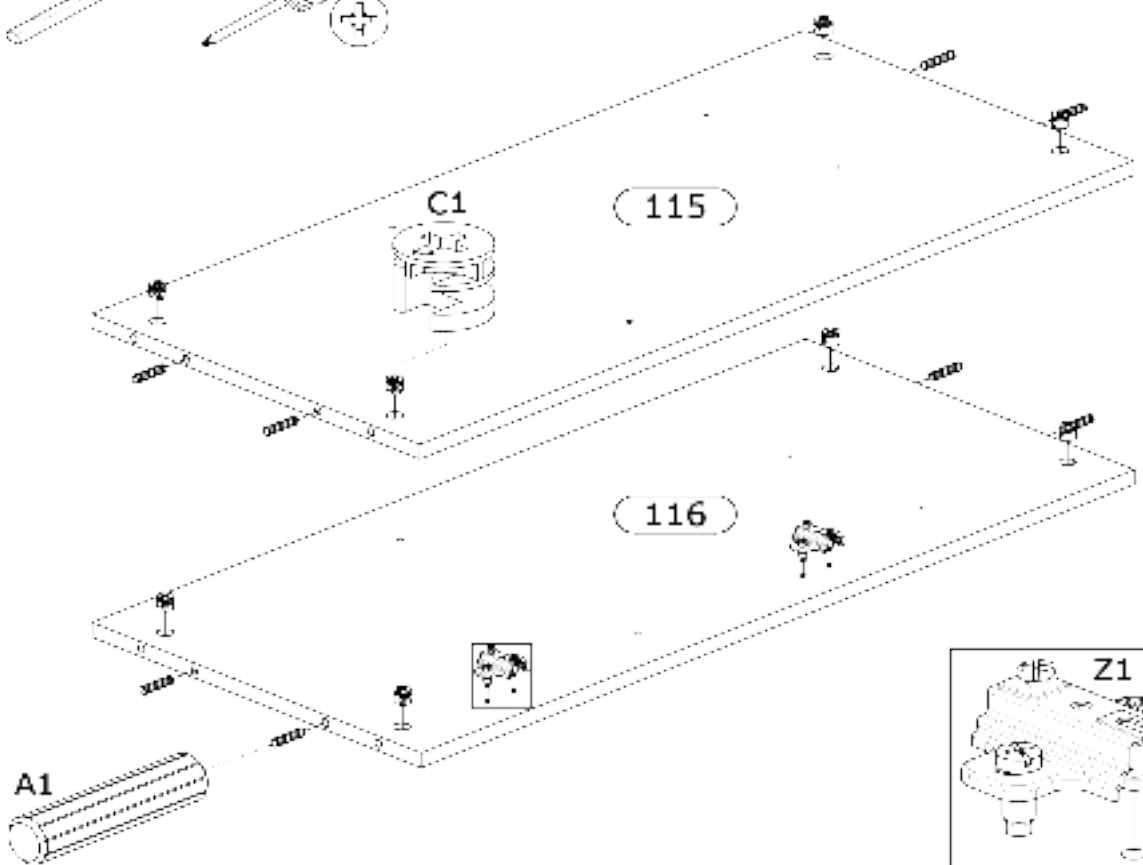


Ø15x12mm

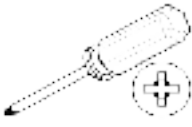
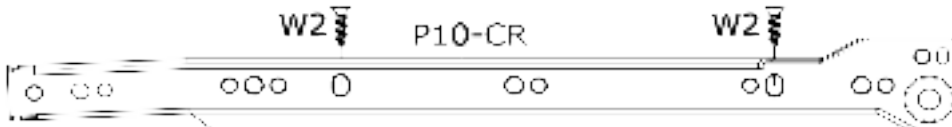
Z1 x 2



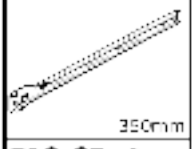
50x40, 1-2



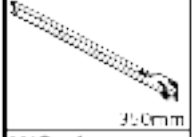
6



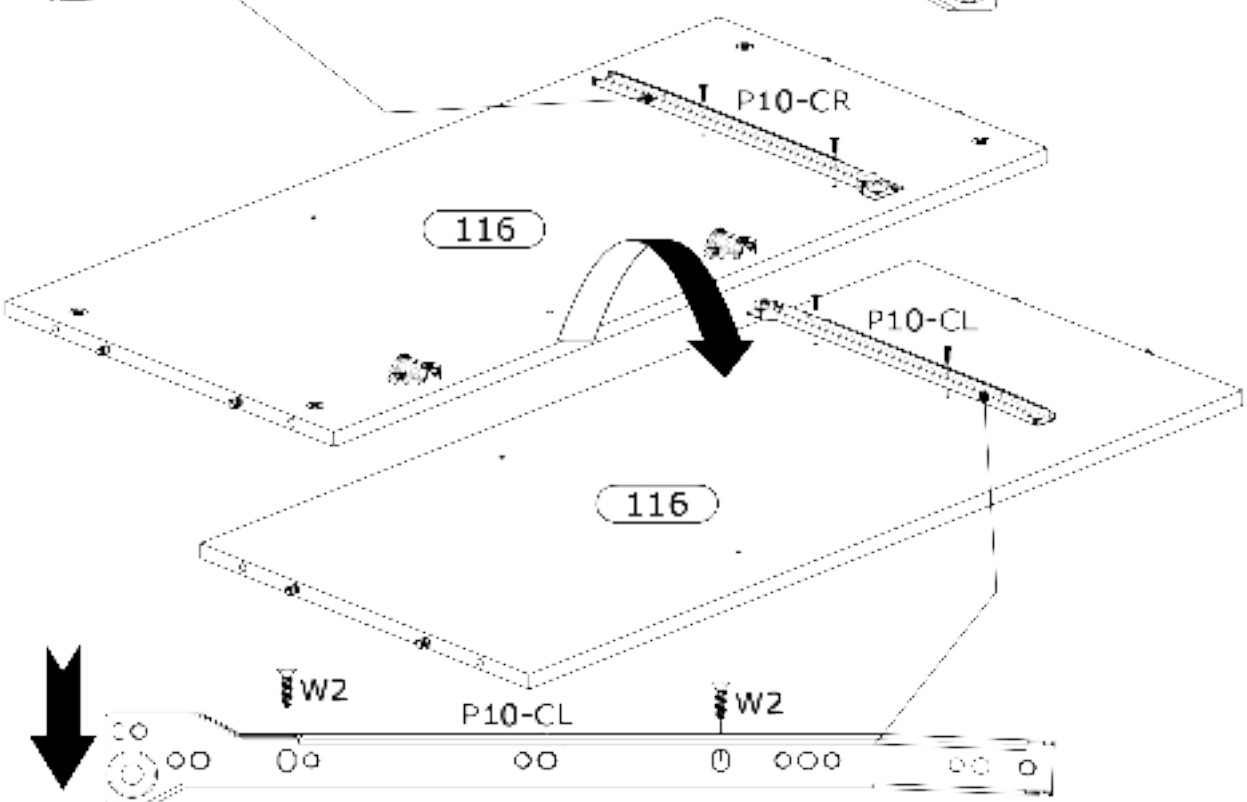
P10-CL x 1



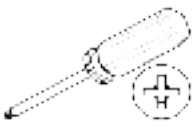
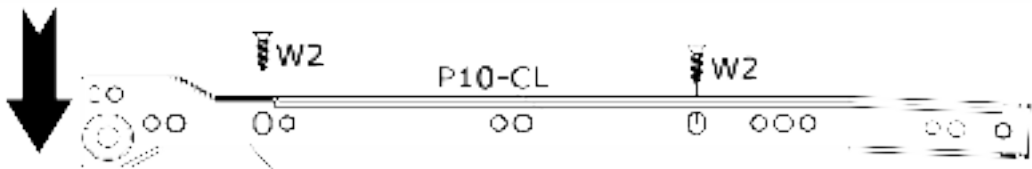
P10-CR x 1



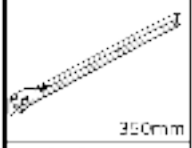
W2 x 4



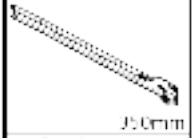
7



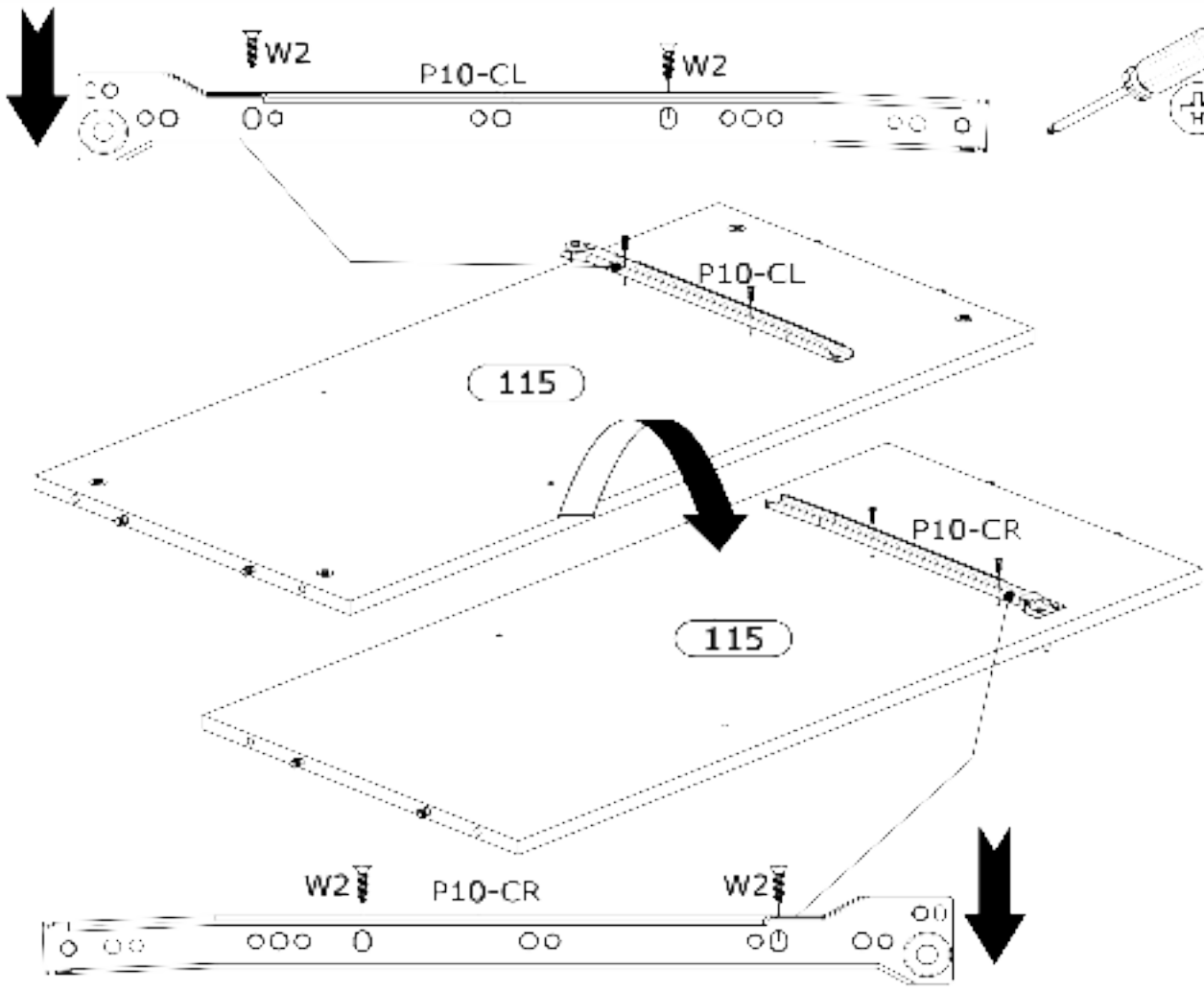
P10-CL x 1



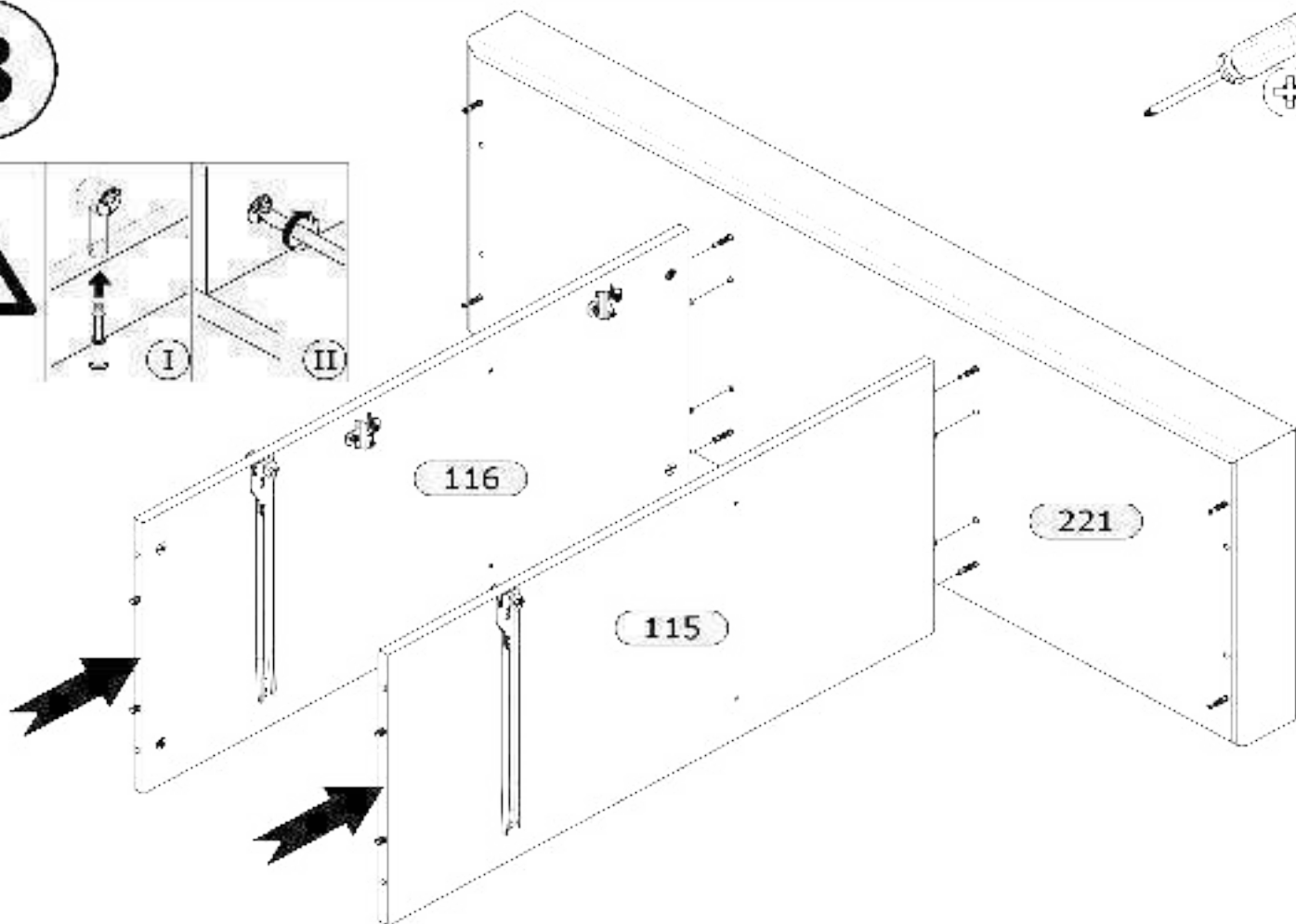
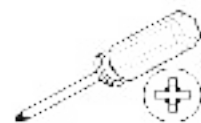
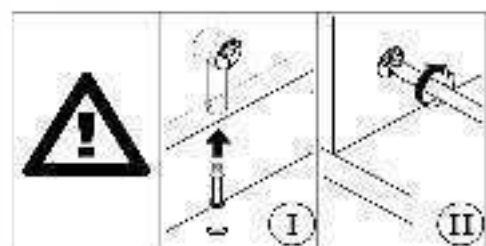
P10-CR x 1



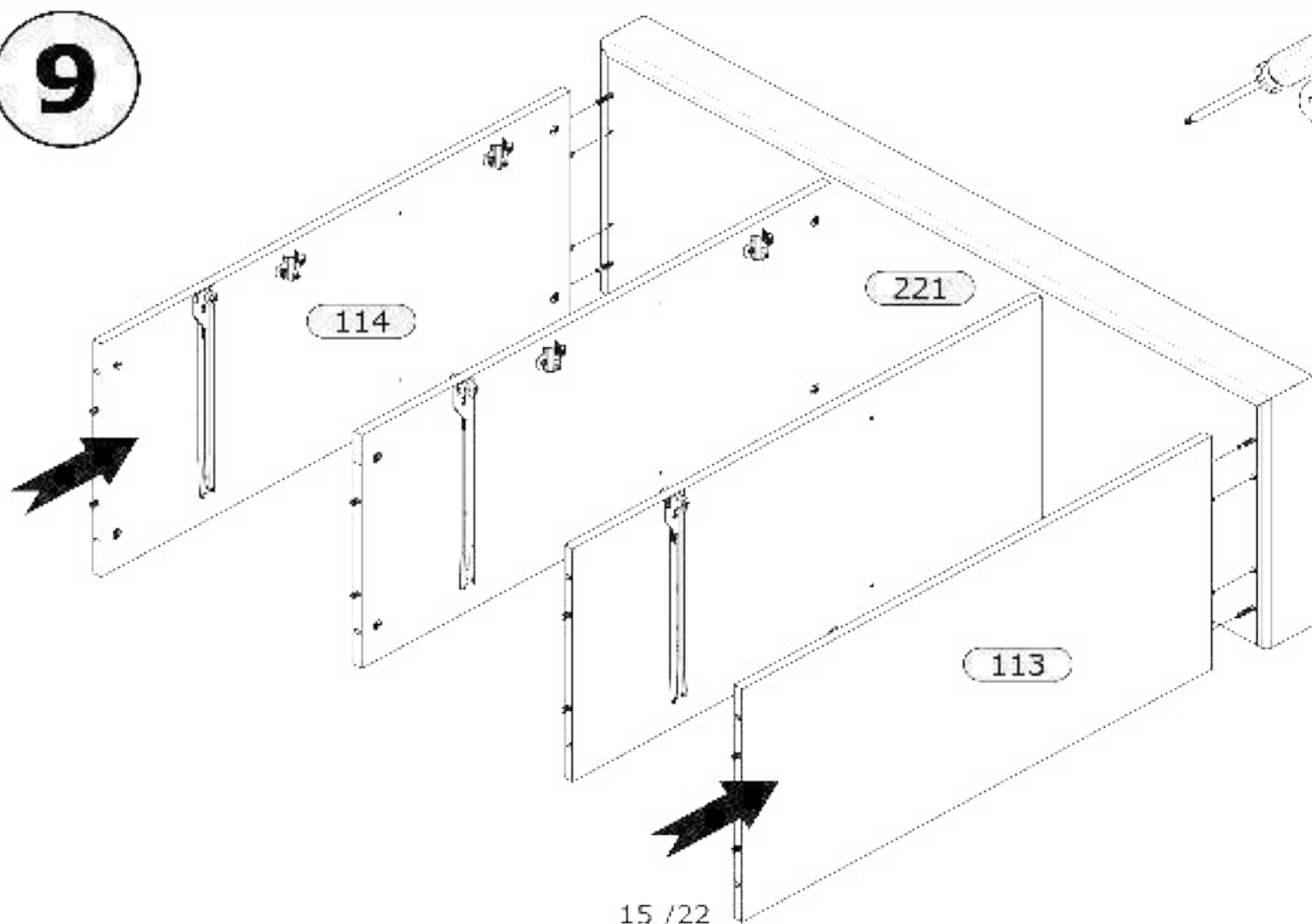
W2 x 4



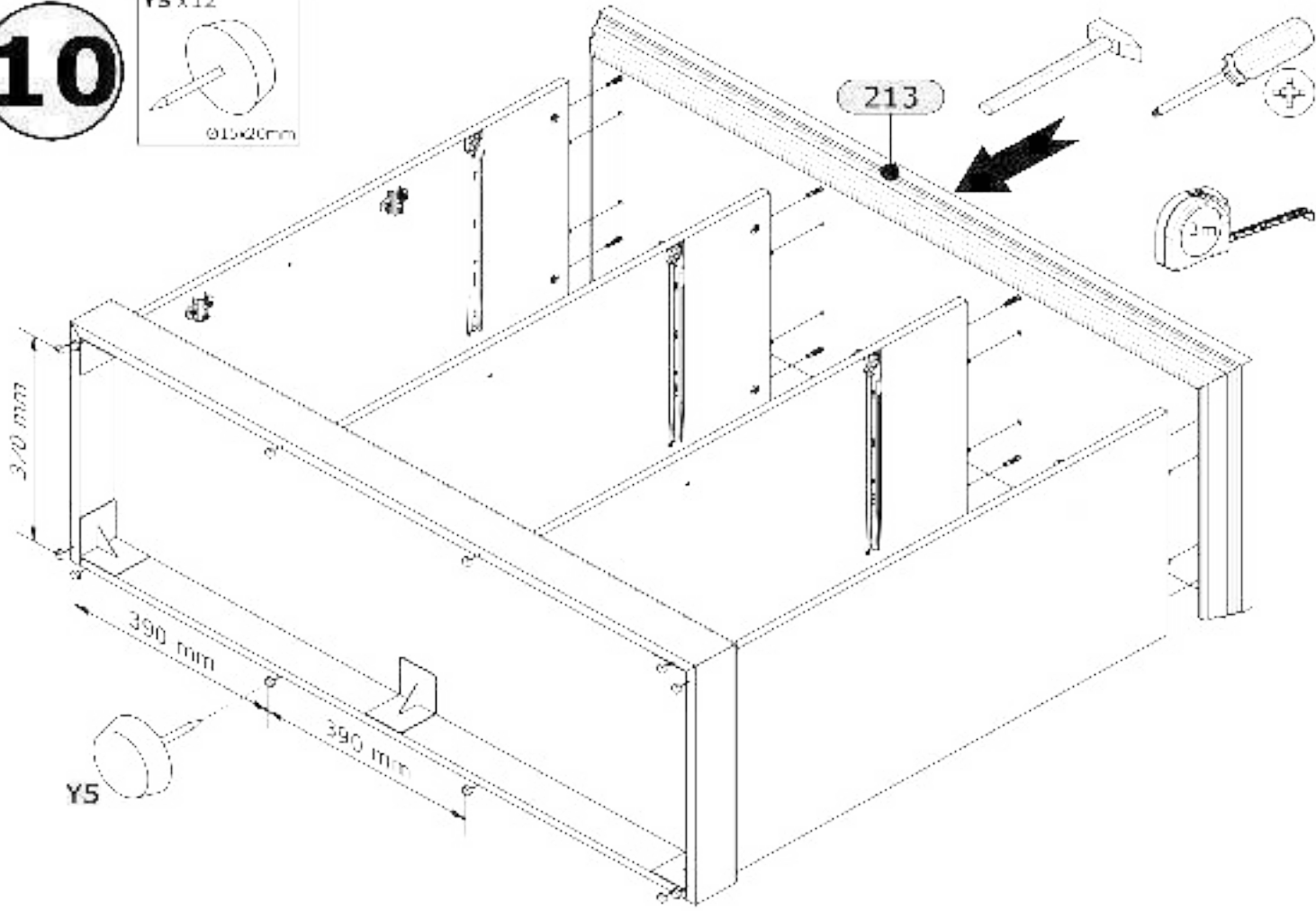
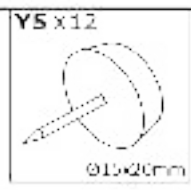
8



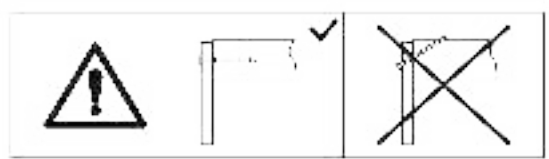
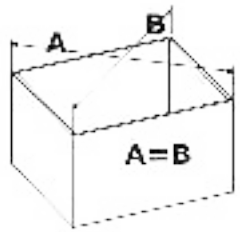
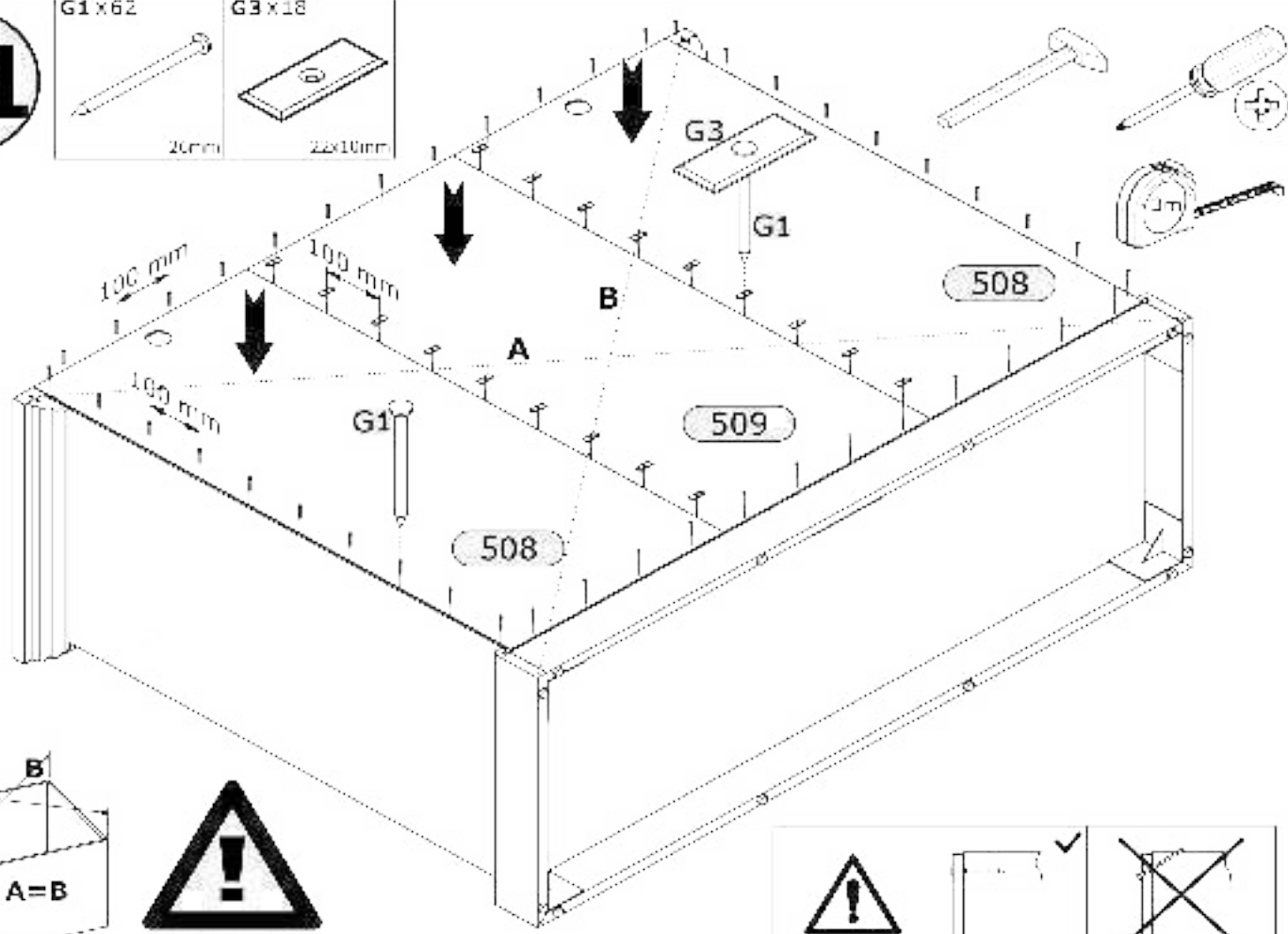
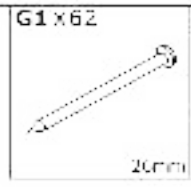
9



10



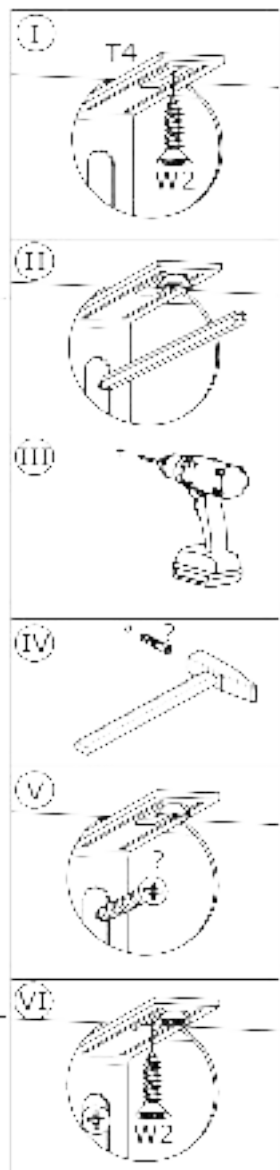
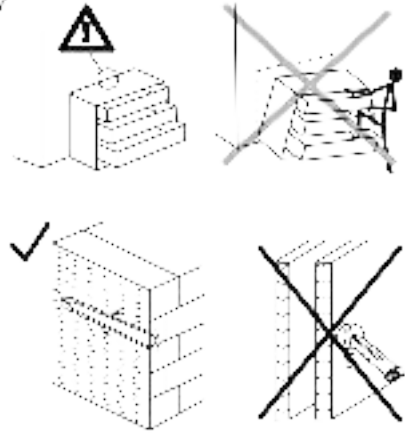
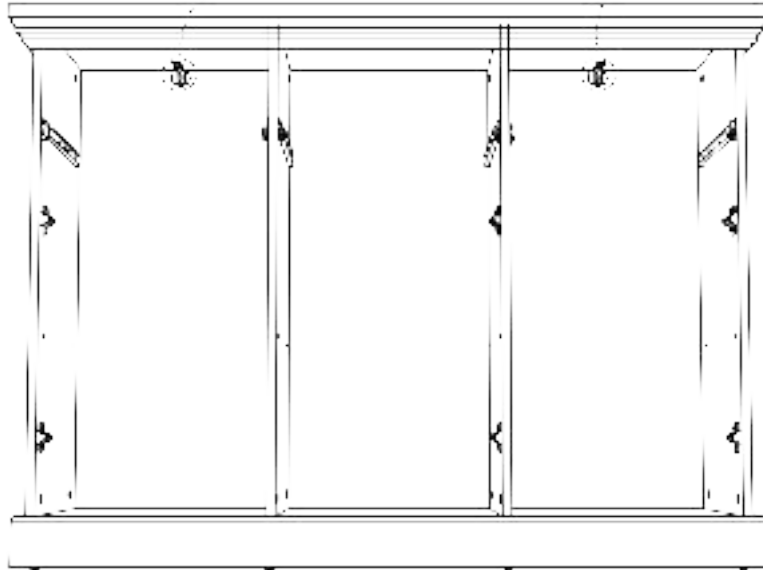
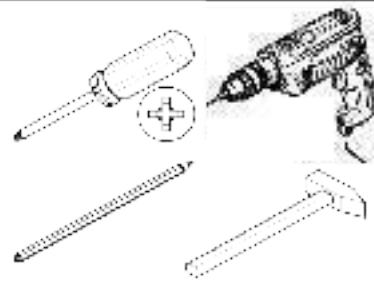
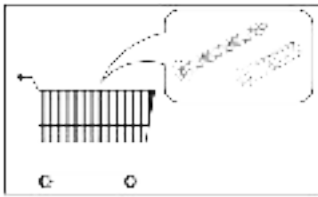
11



12

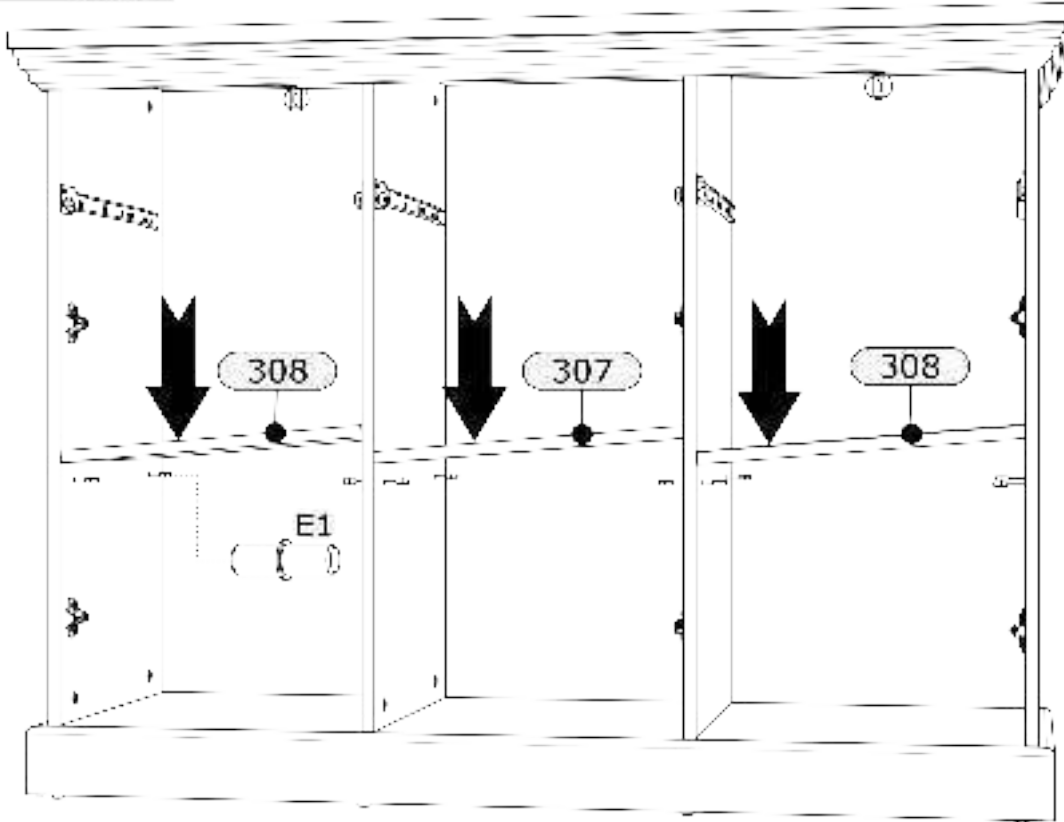
T4 x2
75x20x10 mm

W2 x4
Ø2, x16mm



13

E1 x12
Ø5x15mm



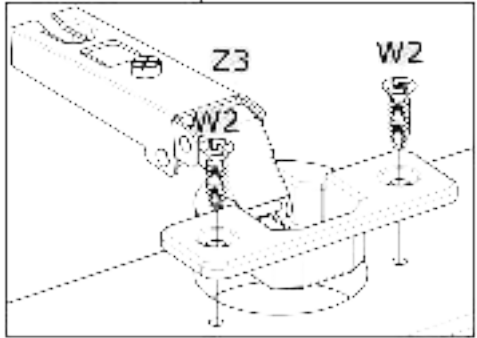
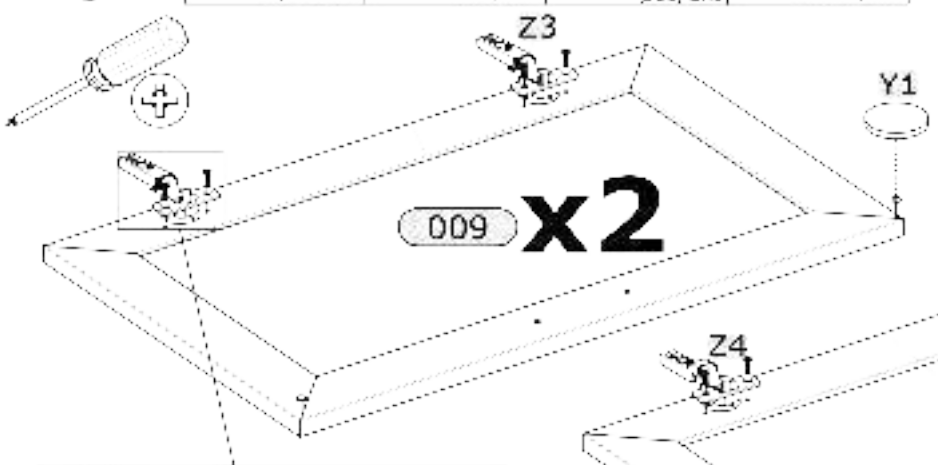
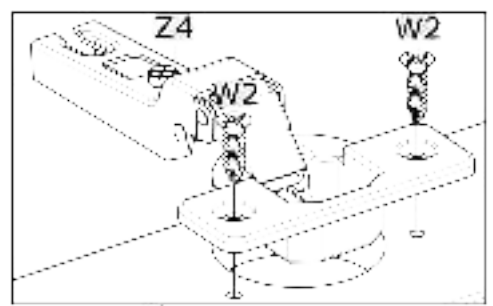
14

W2x12
Ø3,5x16mm

Y1 x6
Ø8x1,5mm

Z3 x4
Ø35, 2K

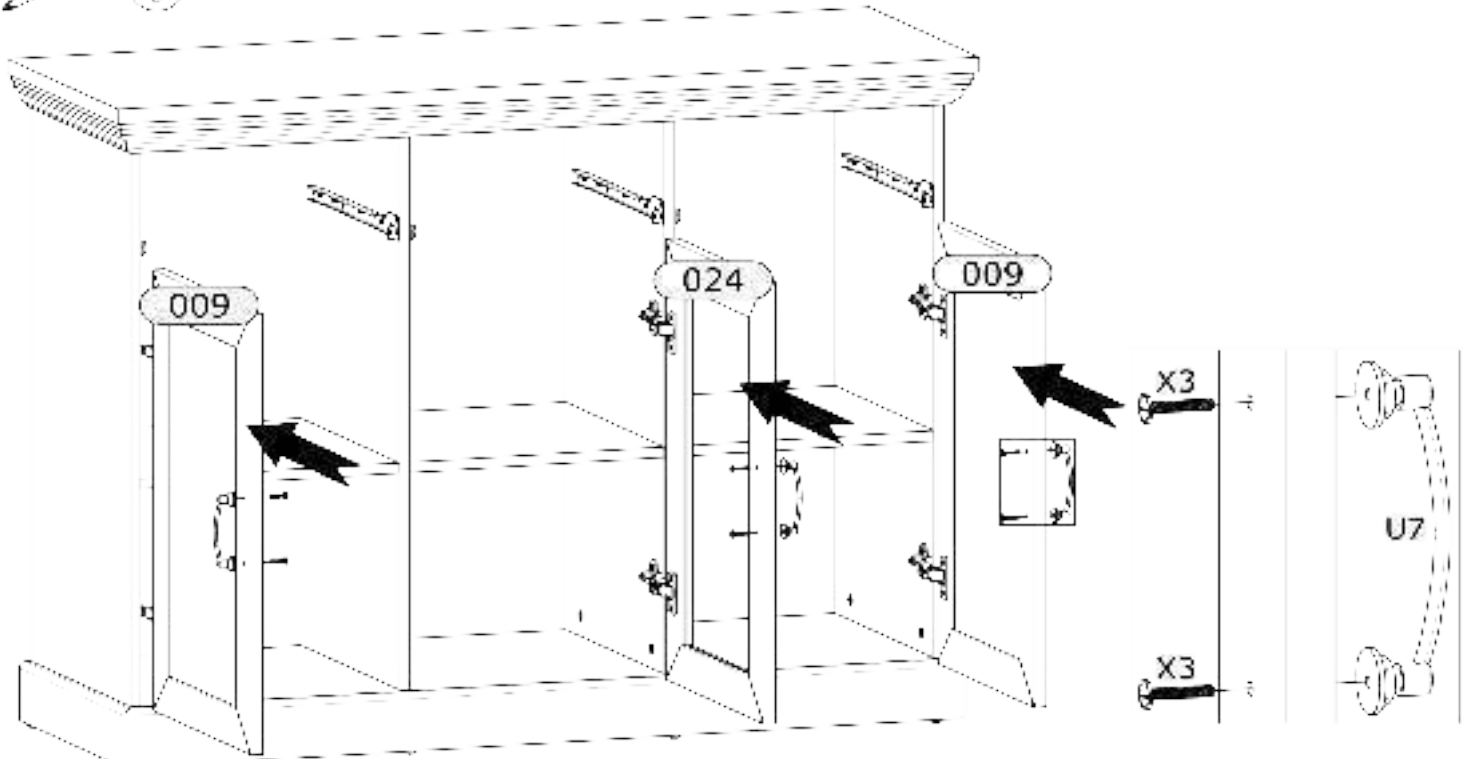
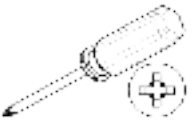
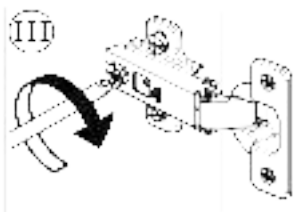
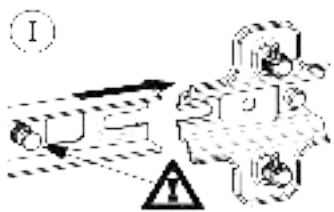
Z4 x2
Ø35mm, 2C9



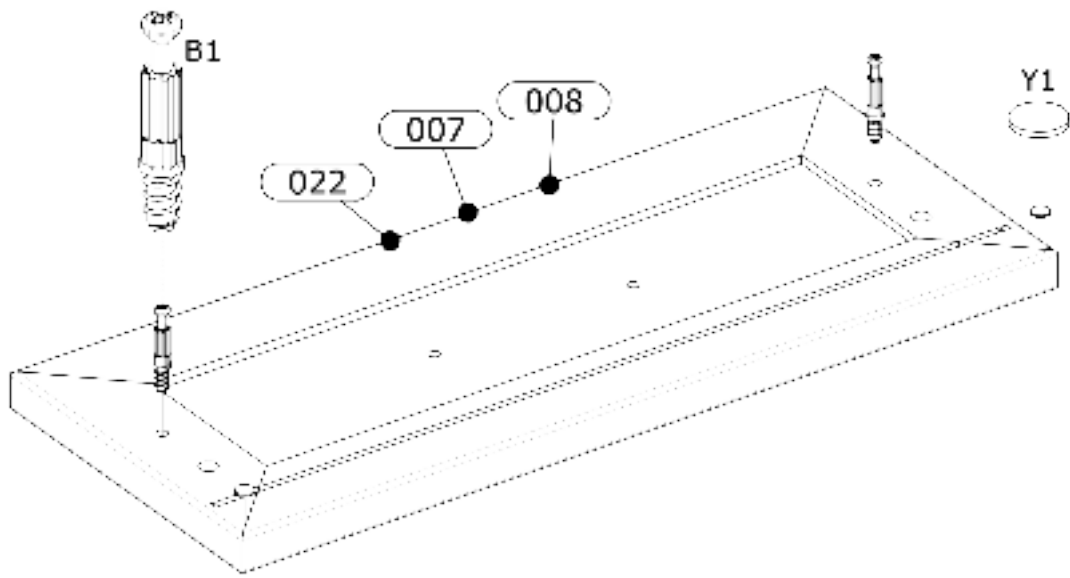
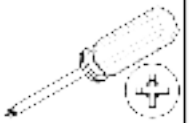
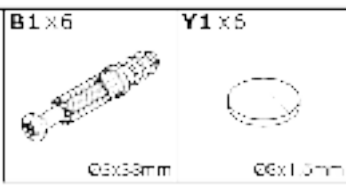
15

U7 x3
118x22mm

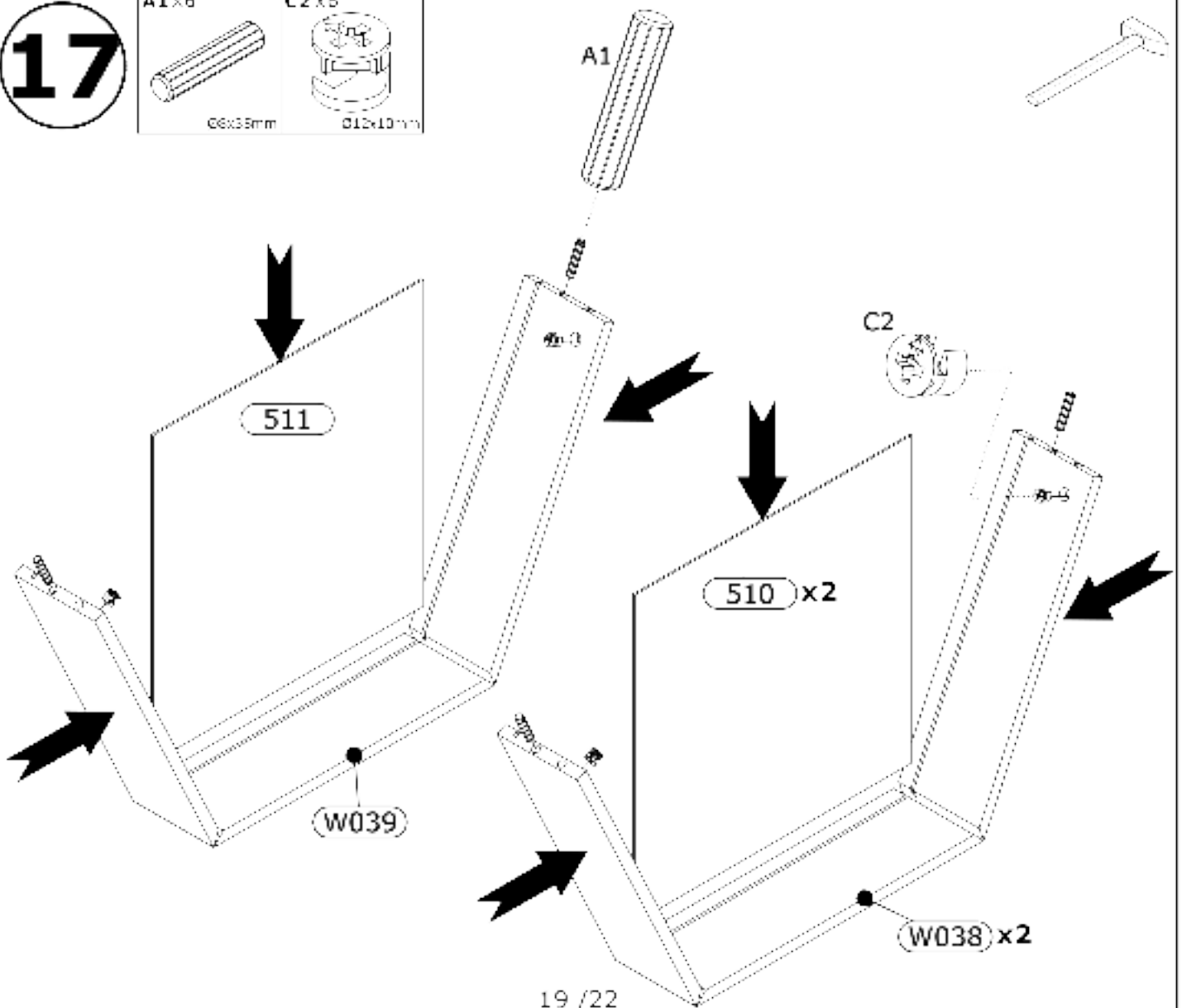
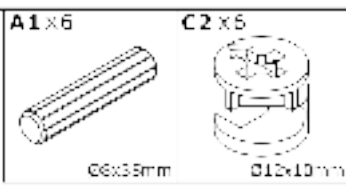
X3 x6
M4x22mm



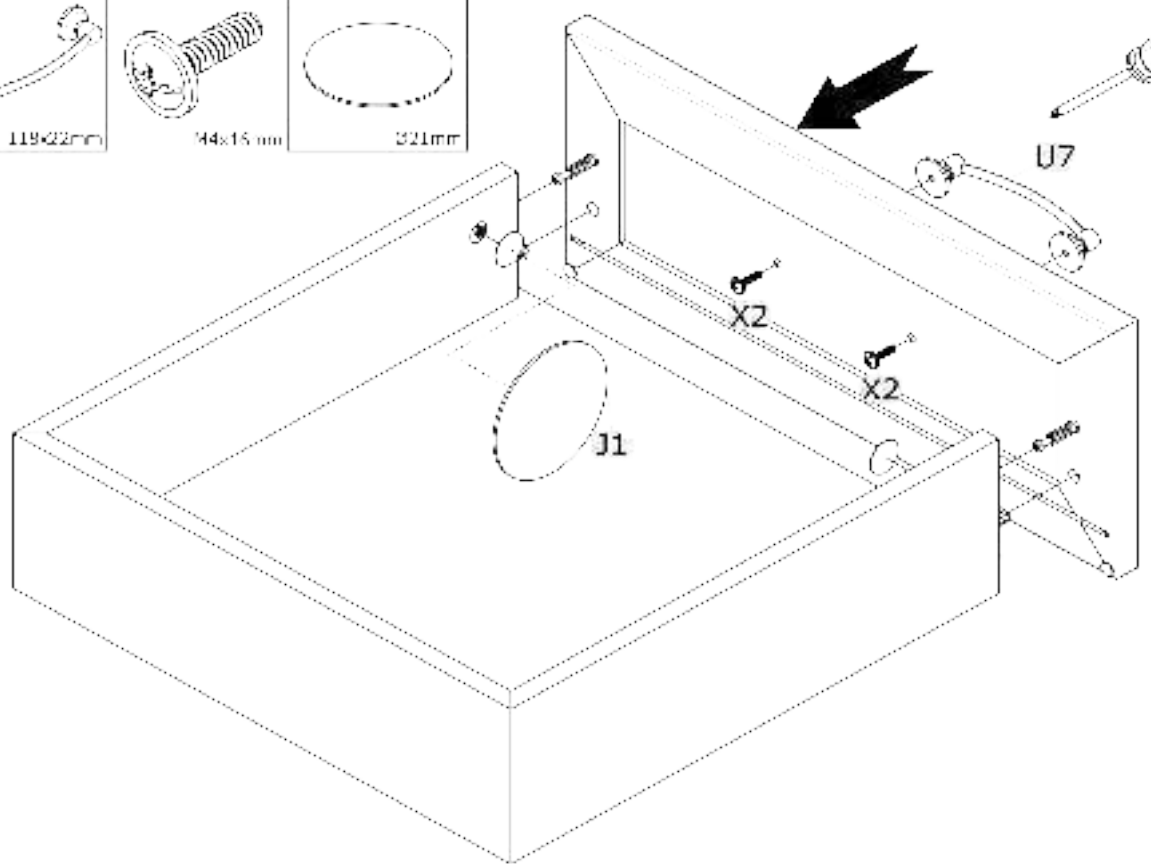
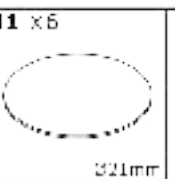
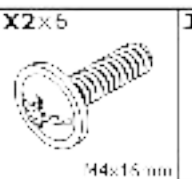
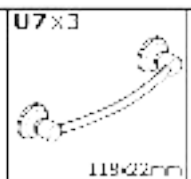
16



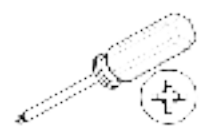
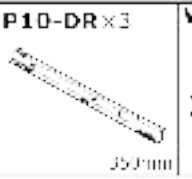
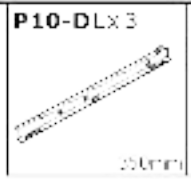
17



18

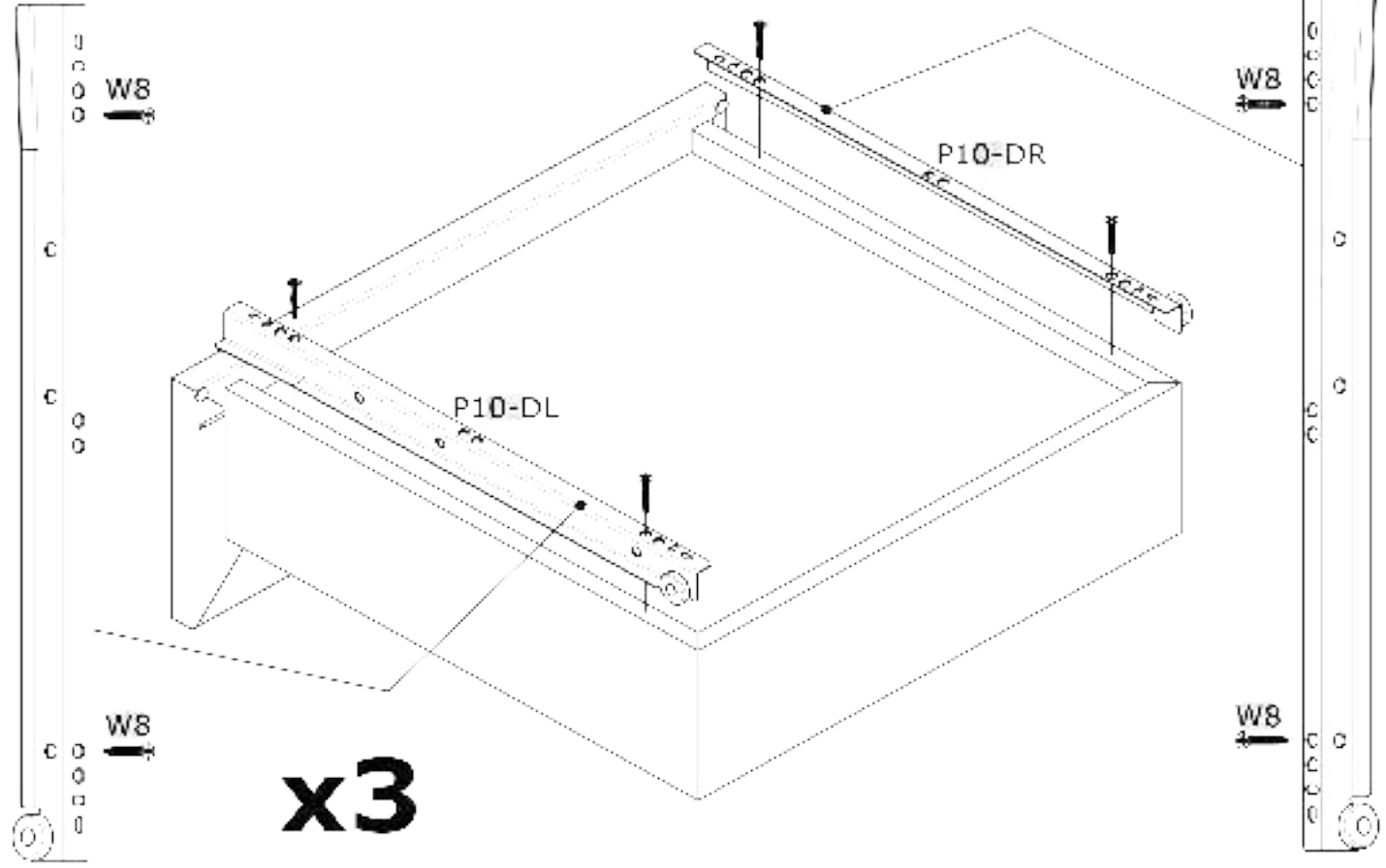


19

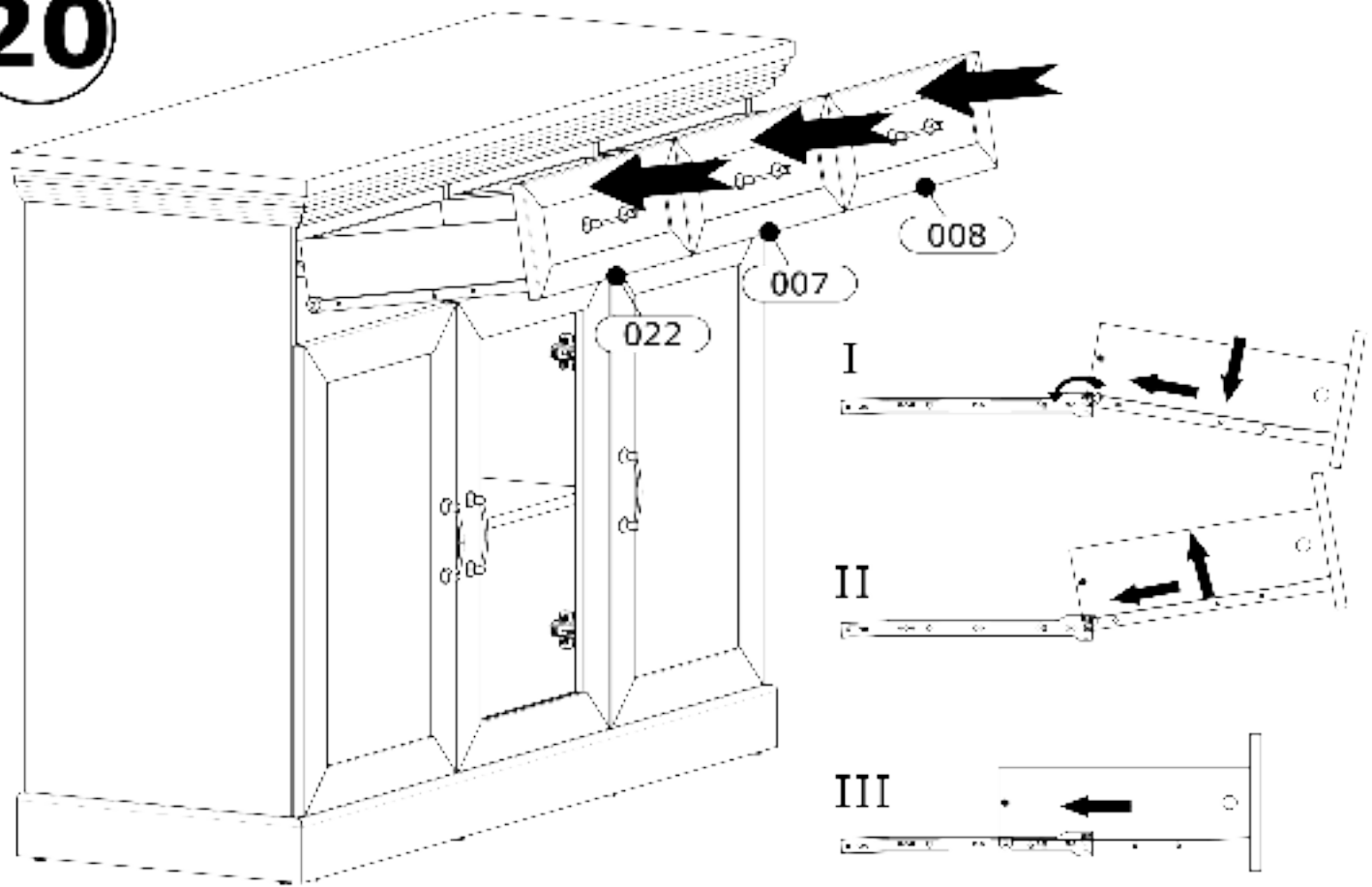


P10-DL

P10-DR



20



21

