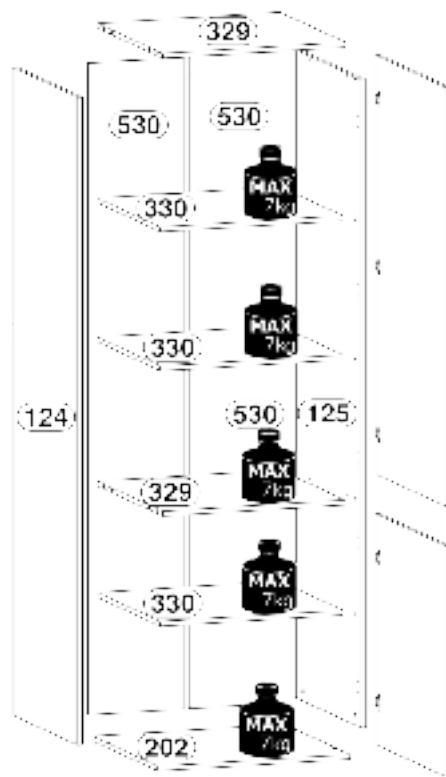
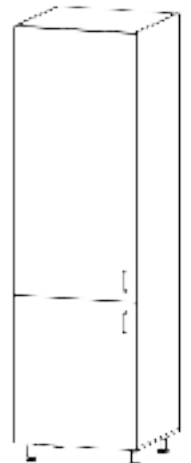
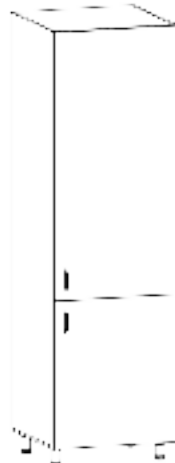
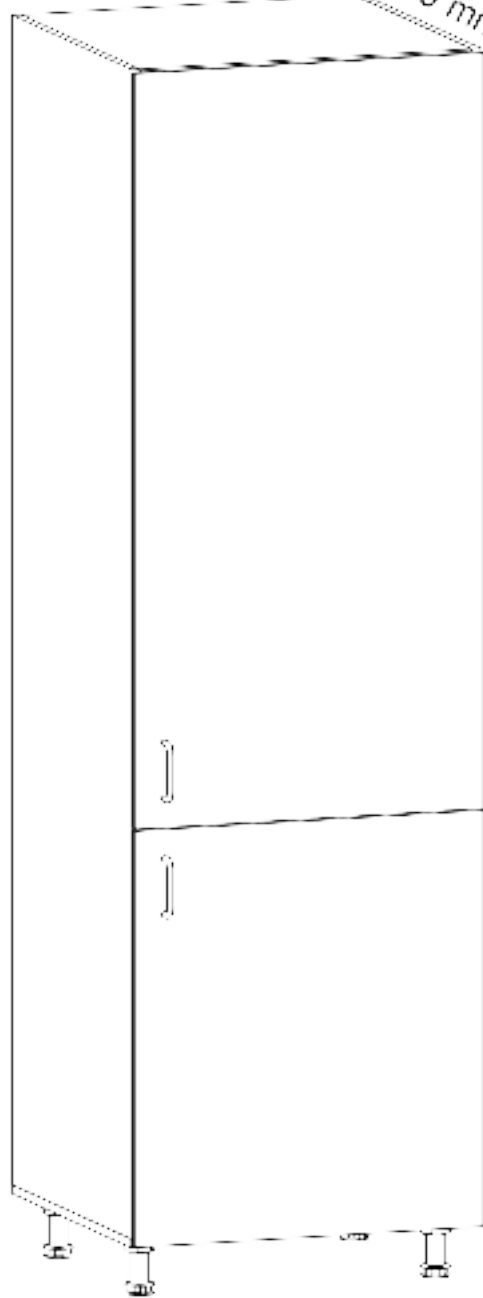


D60R

600 mm

580 mm

2120 mm

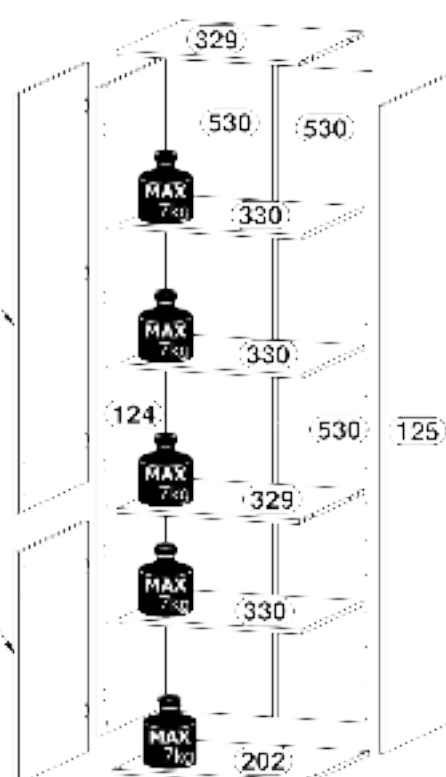








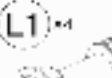
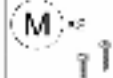

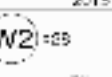
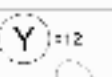
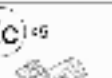


033

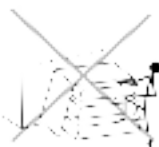
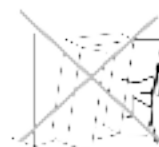
032

029

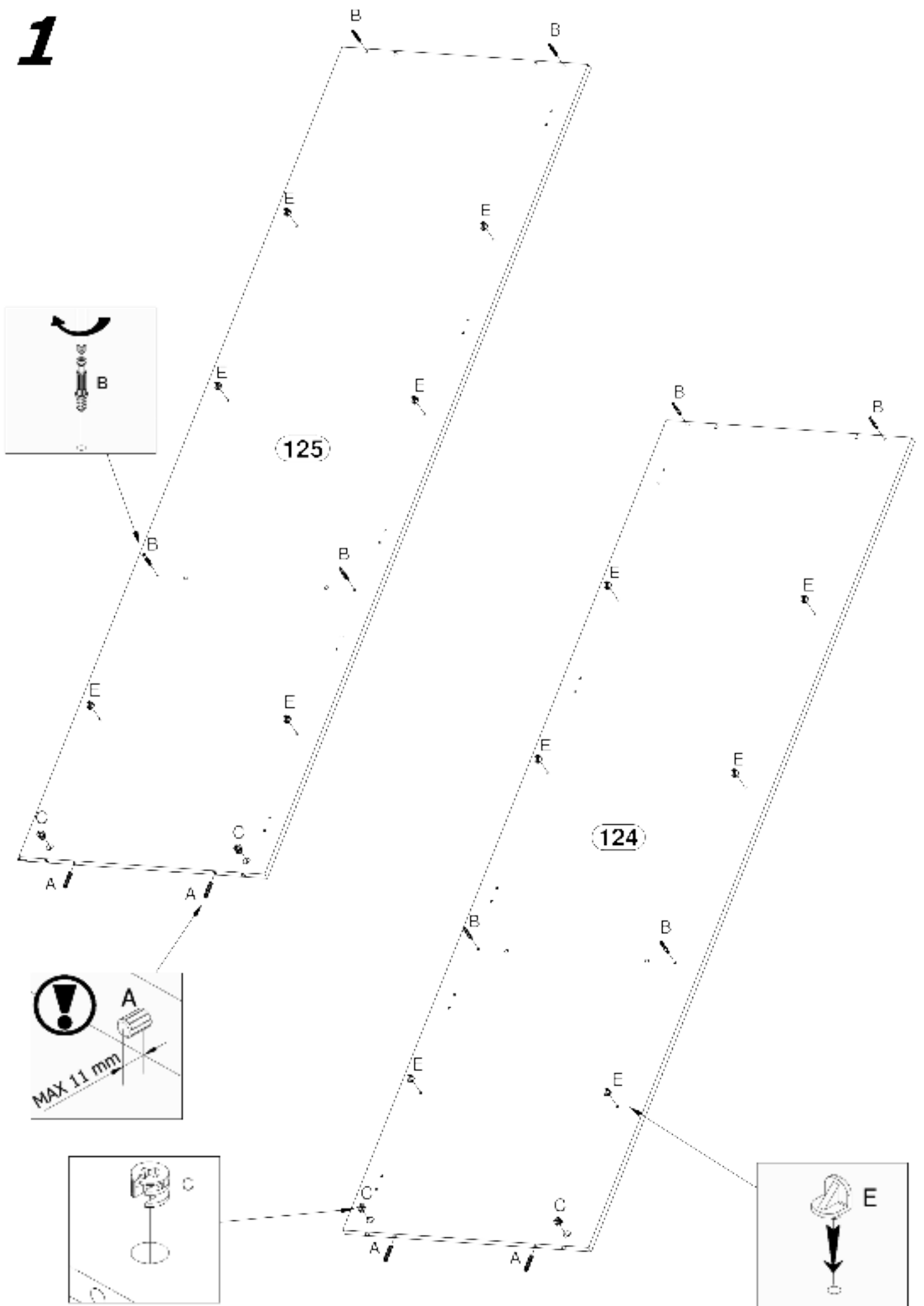
028



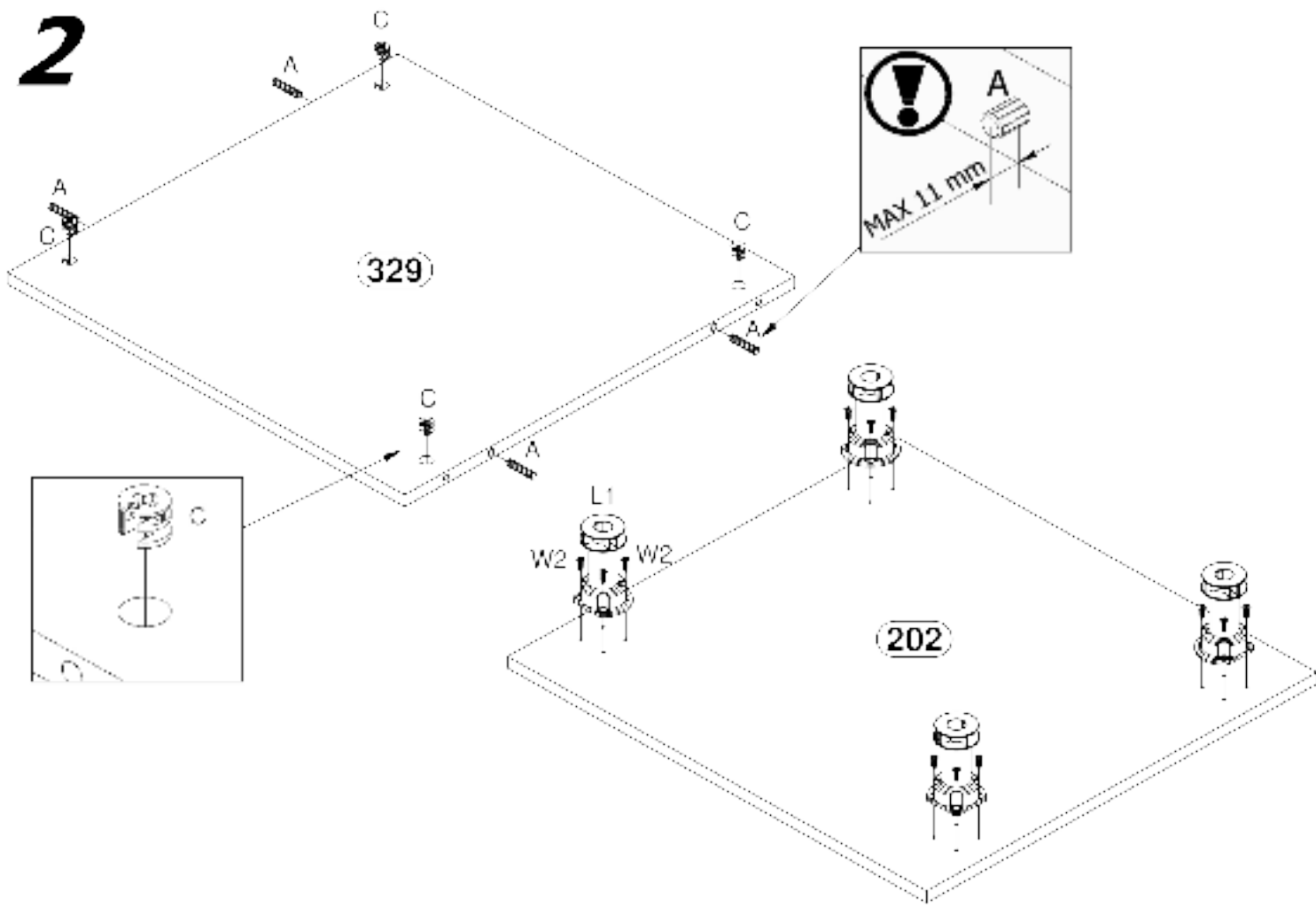
<p>A x12</p>  <p>Ø6x35mm</p>	<p>B x12</p> 	<p>C x12</p>  <p>Ø15x12mm</p>	<p>E x2</p> 
<p>G x10</p> 	<p>H x1</p>  <p>2x15mm</p>	<p>L1 x4</p> 	<p>M x2</p> 
<p>T4 x1</p>  <p>75x28x16 mm</p>	<p>W2 x25</p>  <p>Ø6,2x15mm</p>	<p>Y x12</p>  <p>Ø11mm</p>	
<p>Zc x6</p>  <p>Zc-1</p>  <p>Zc-2</p>			



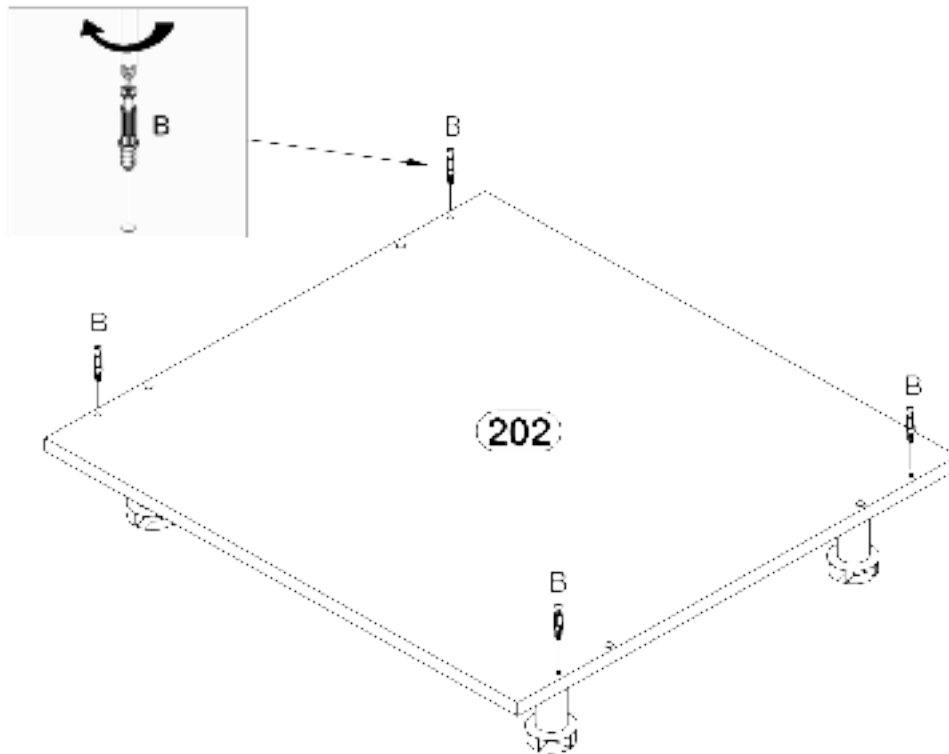
1



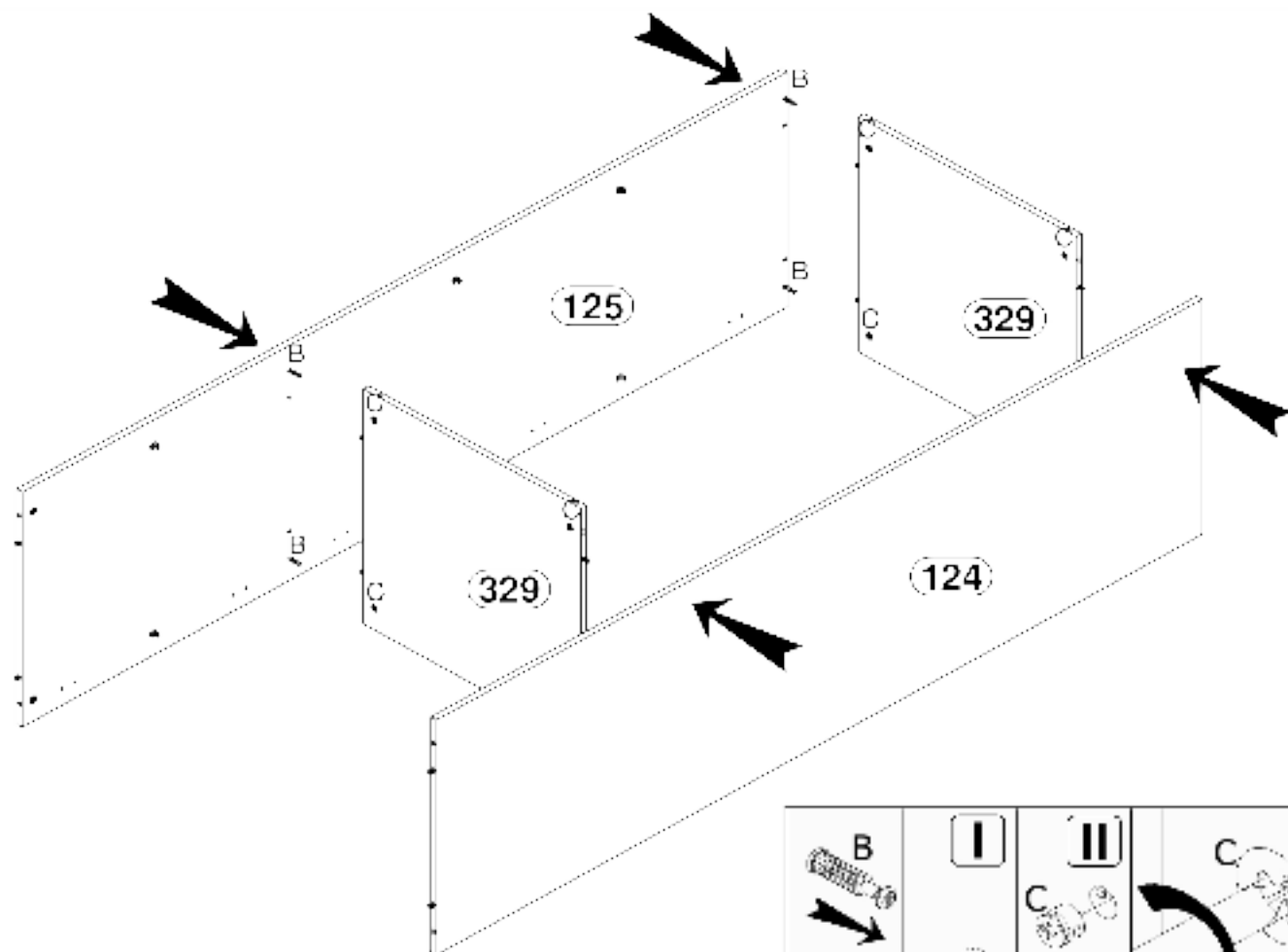
2



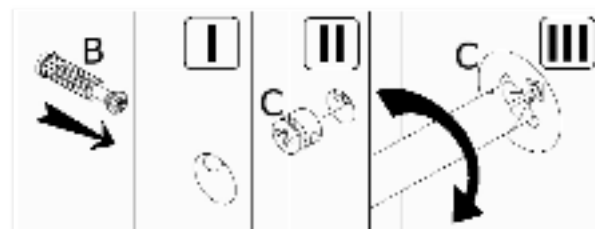
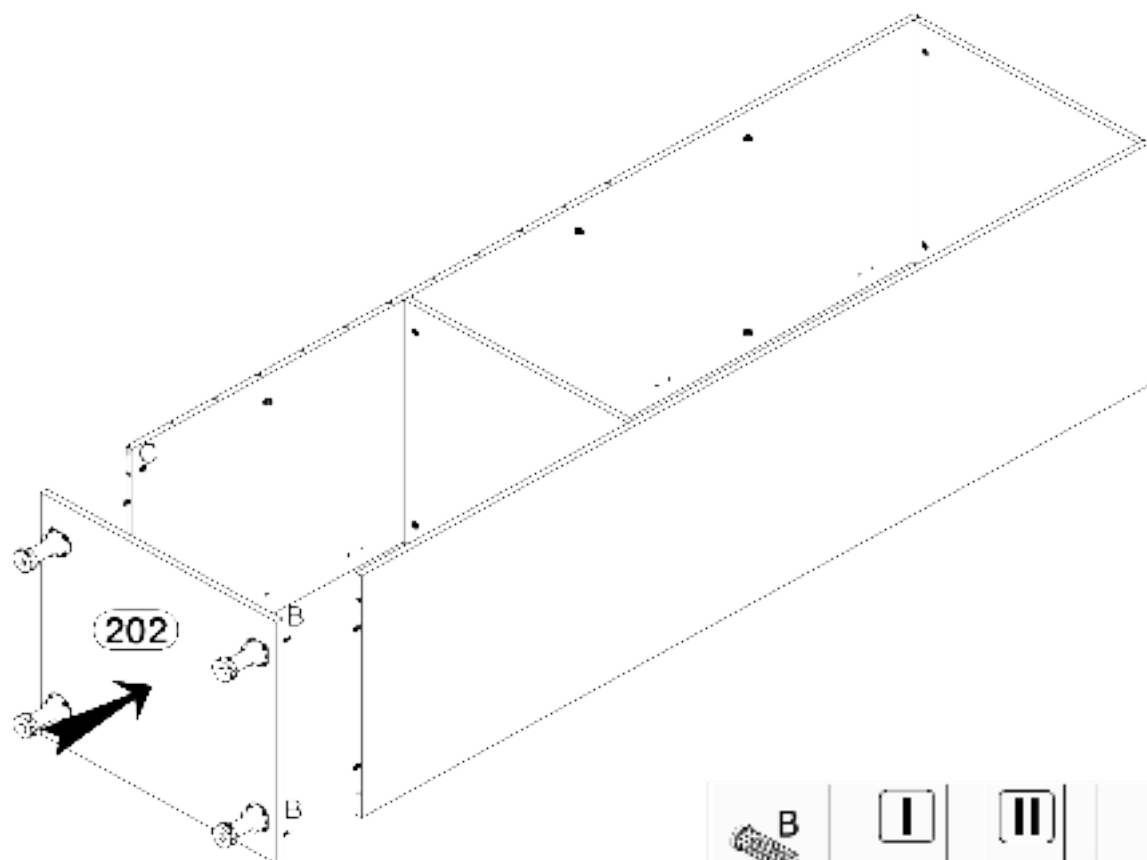
3



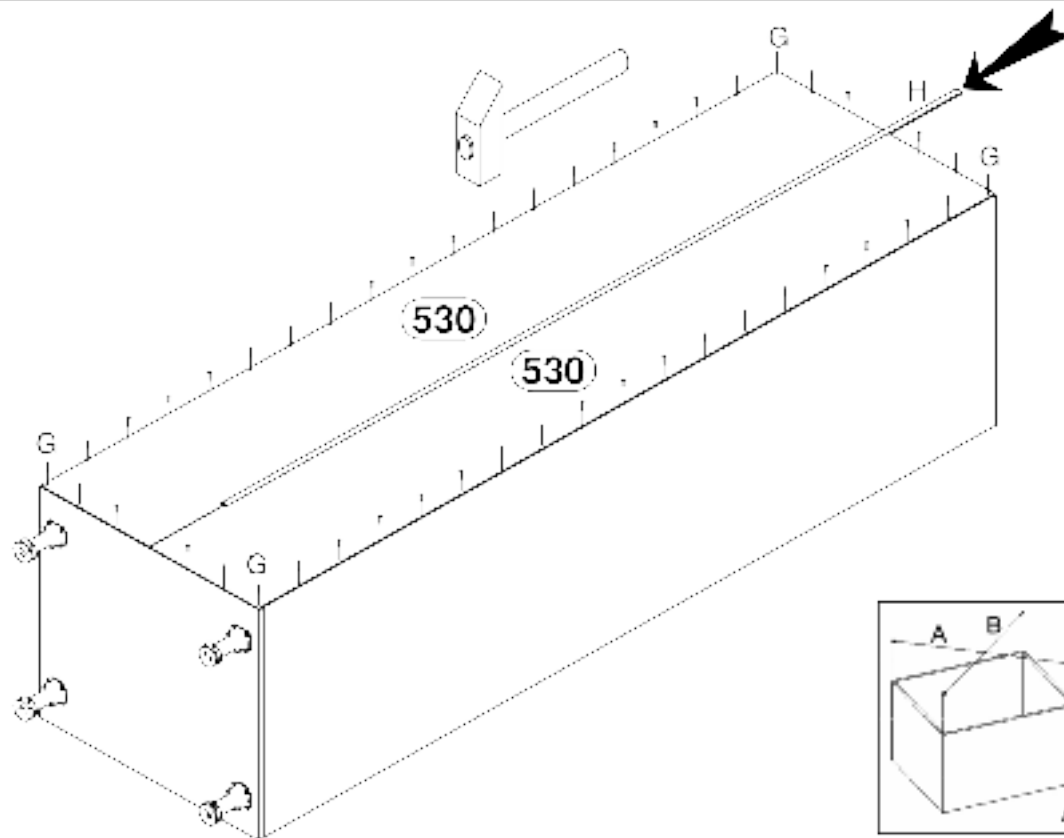
4



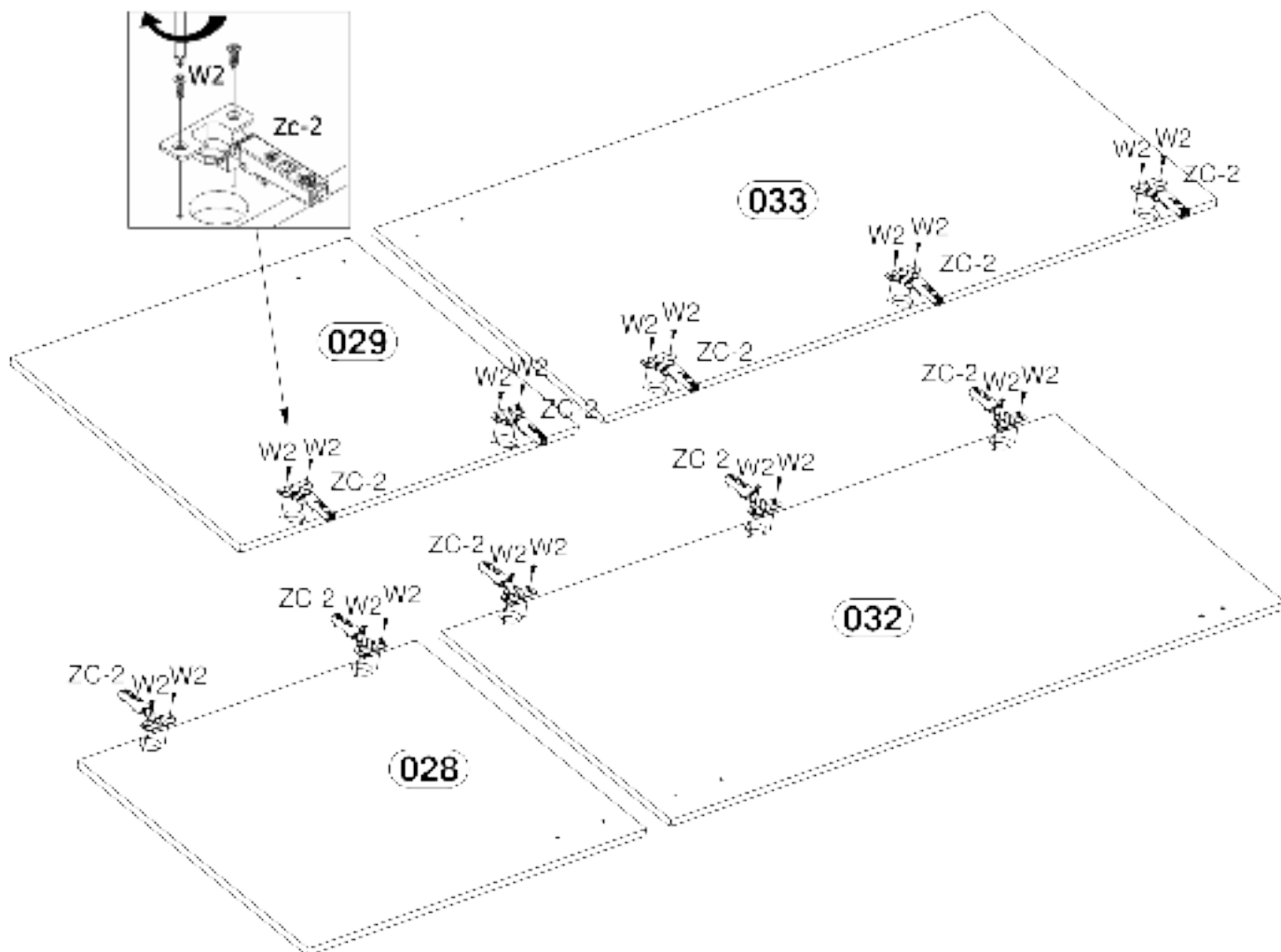
5



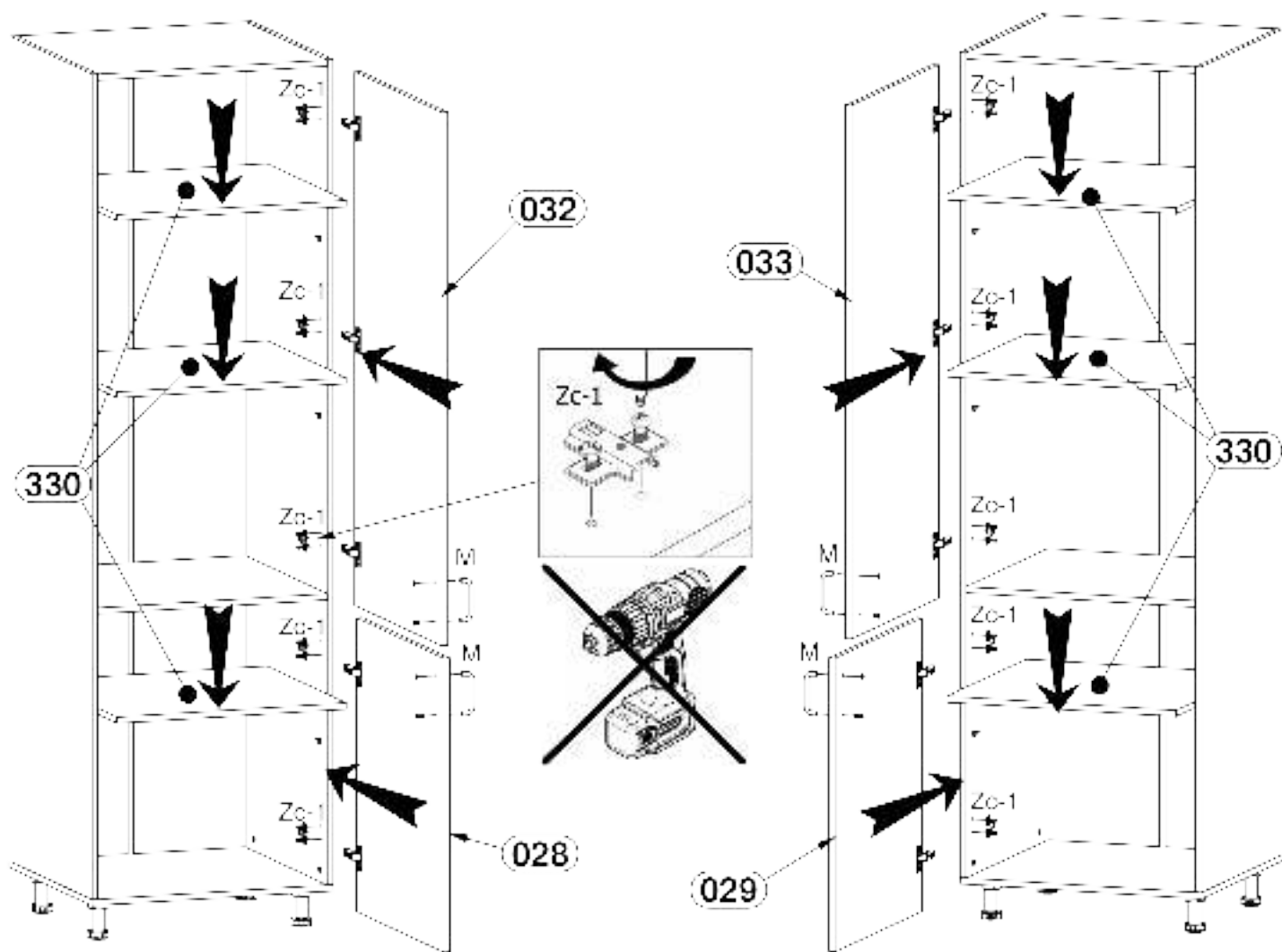
6



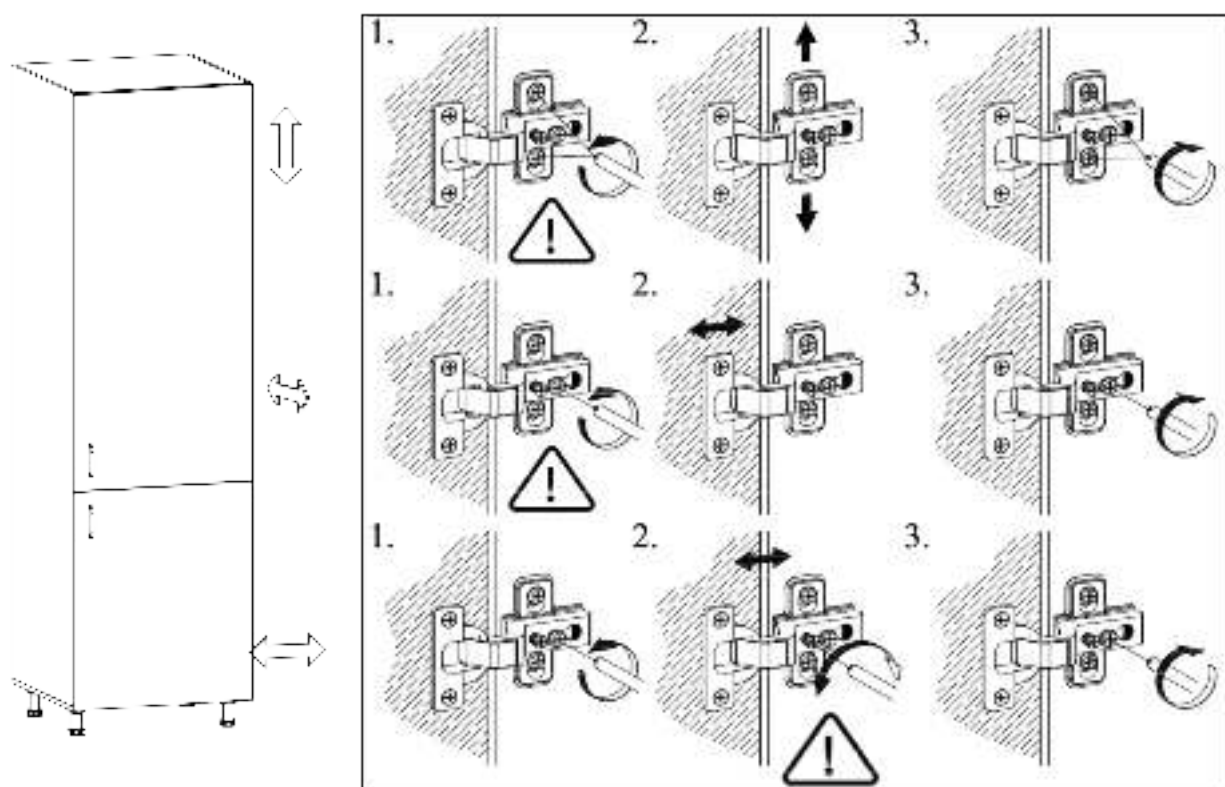
7



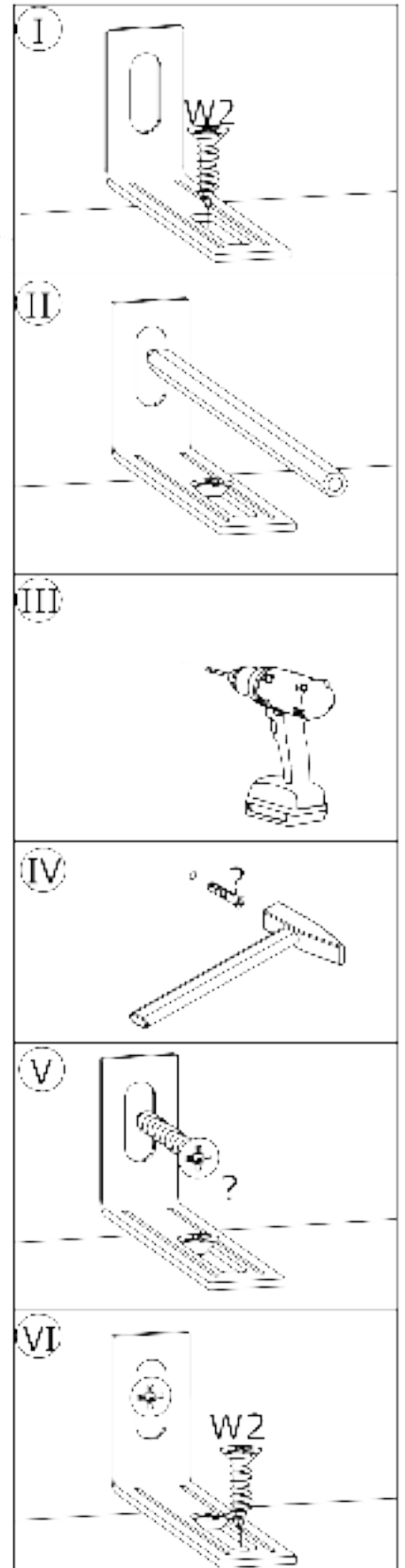
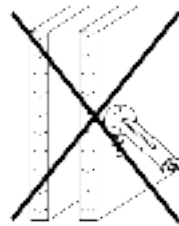
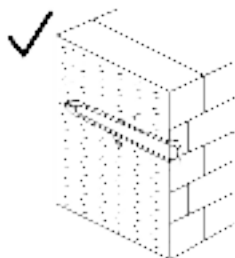
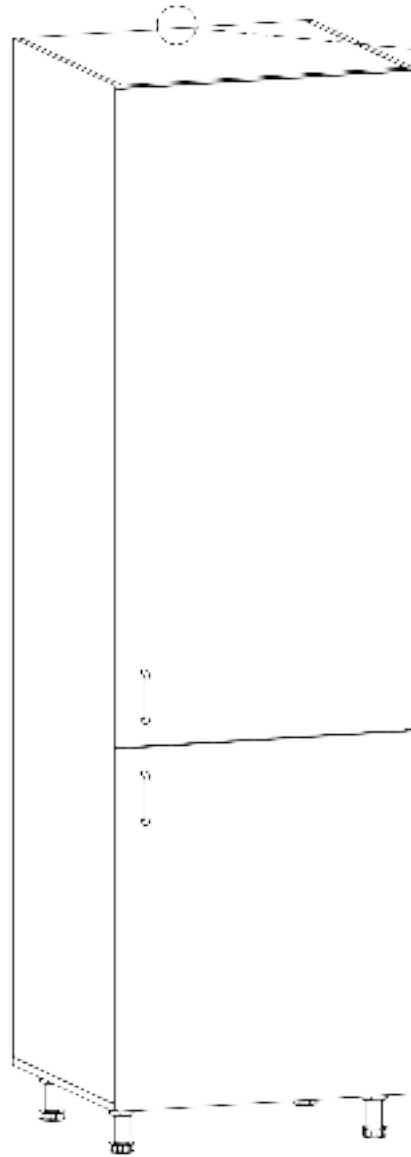
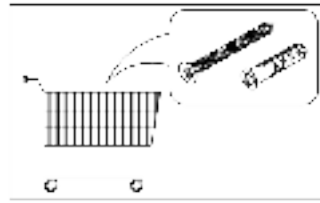
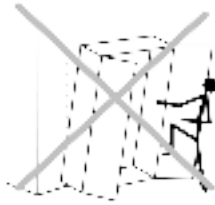
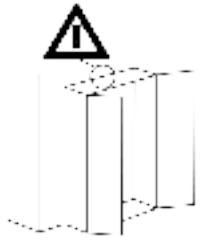
8

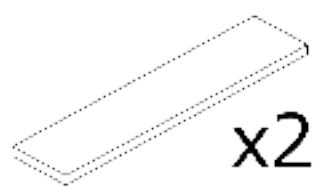
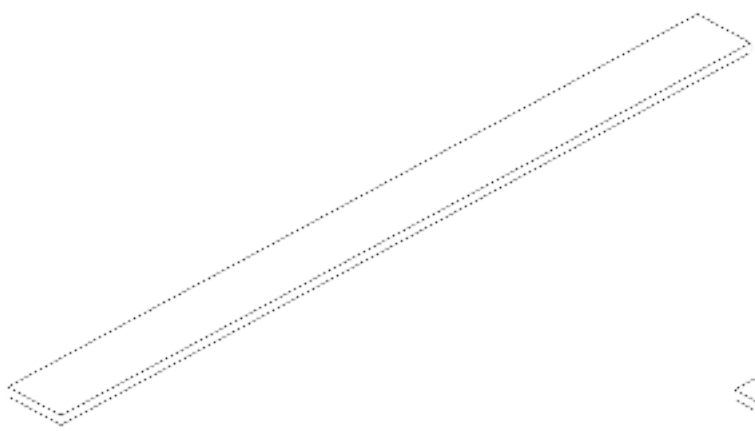
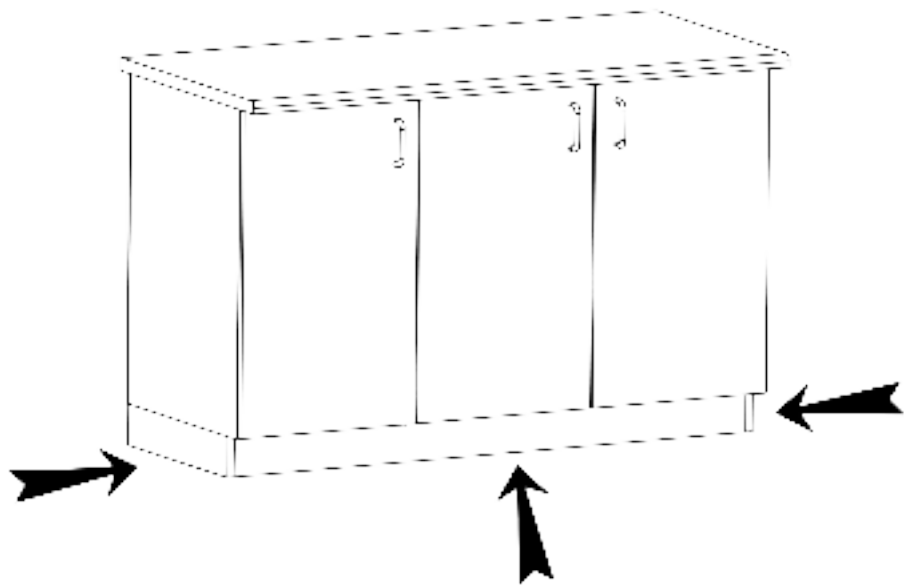


9



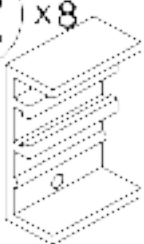
11



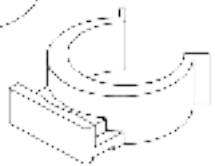


x2

L2 x8



L3 x8

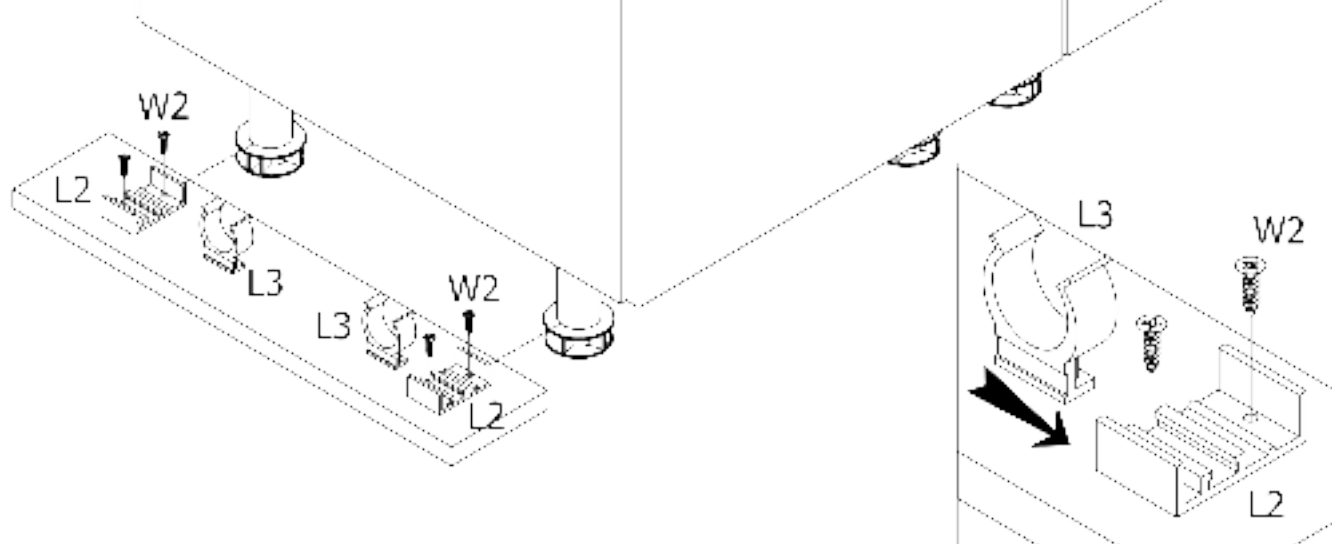


W2 x16



Ø3,5x16

10



11

