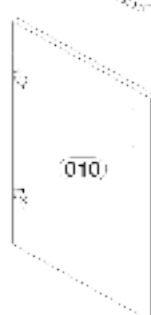
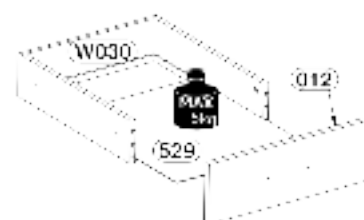
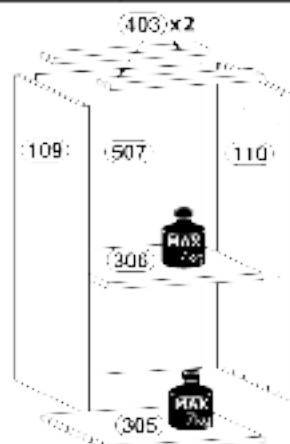
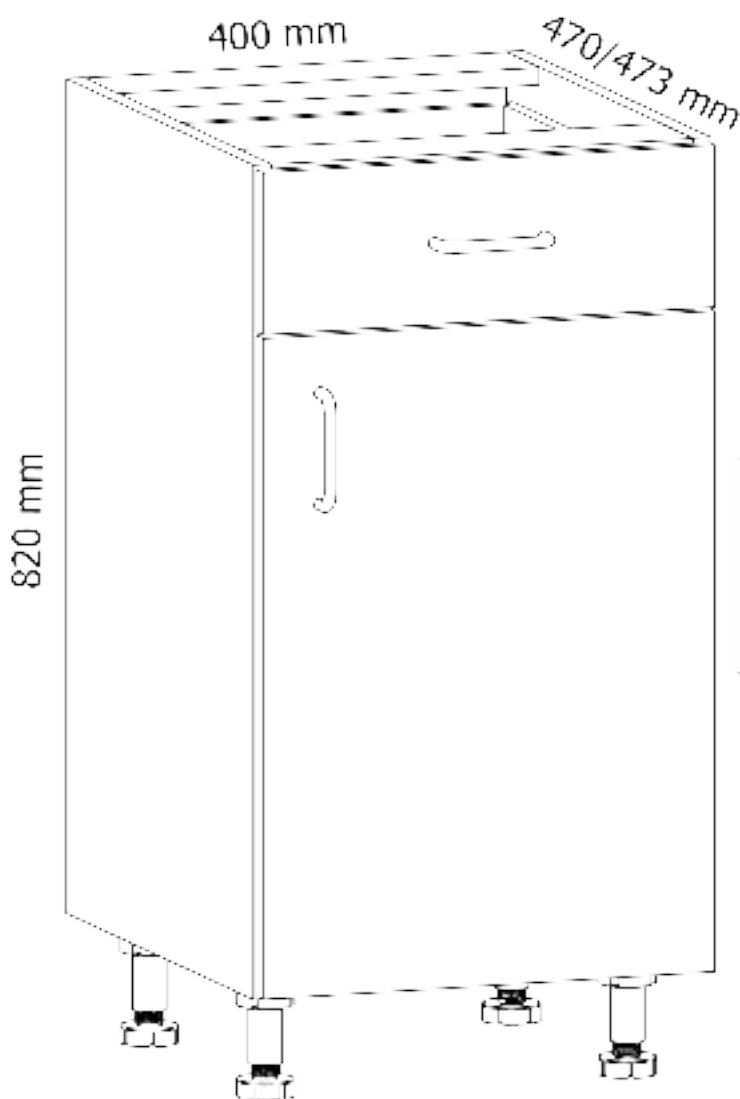
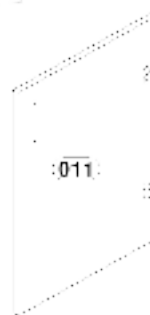


D40S1

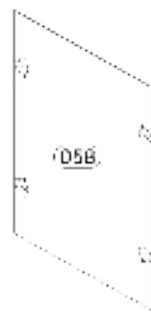
S40/1SZ



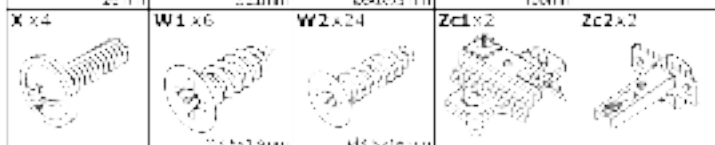
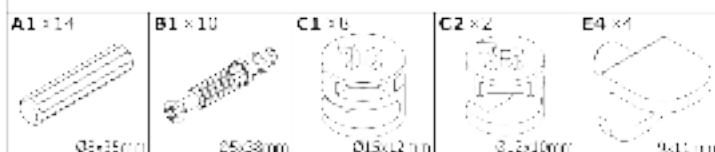
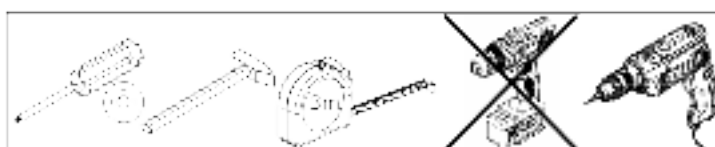
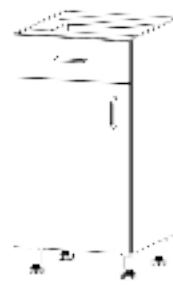
**D40S1(P) /
S40/1SZ**



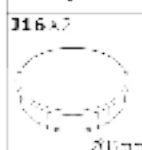
D40S1(L)



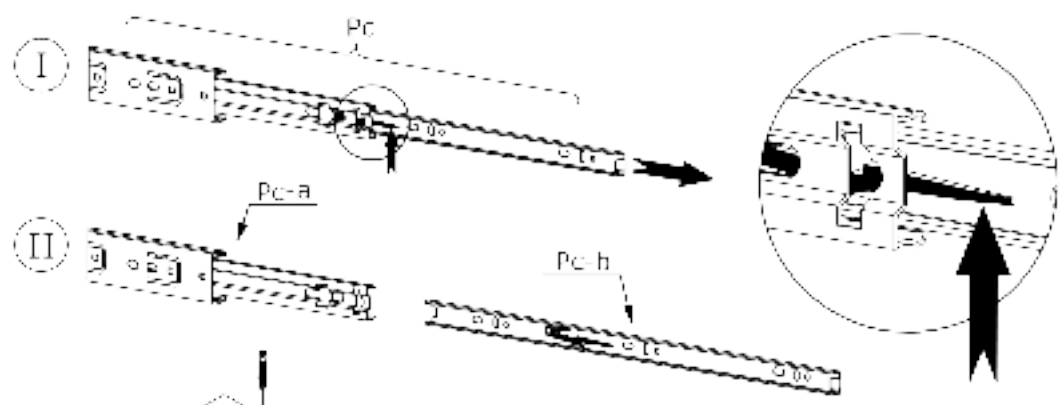
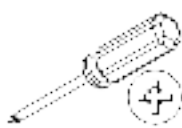
S40/1SZ



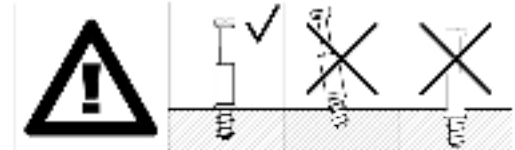
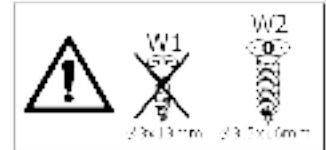
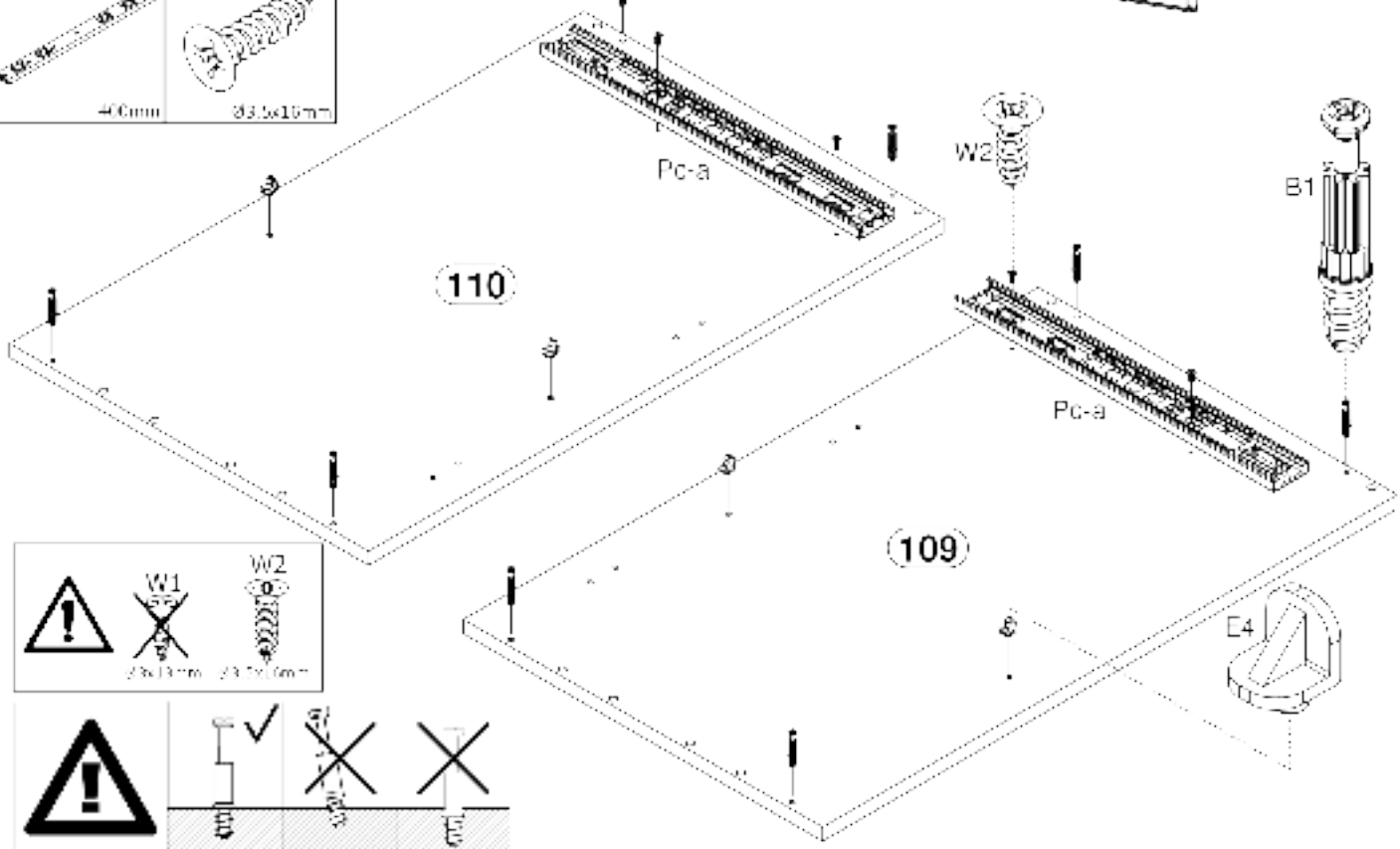
S40/1SZ



1

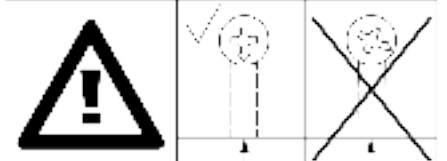
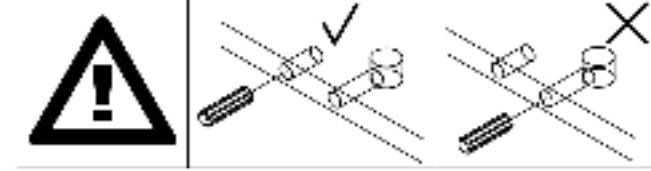
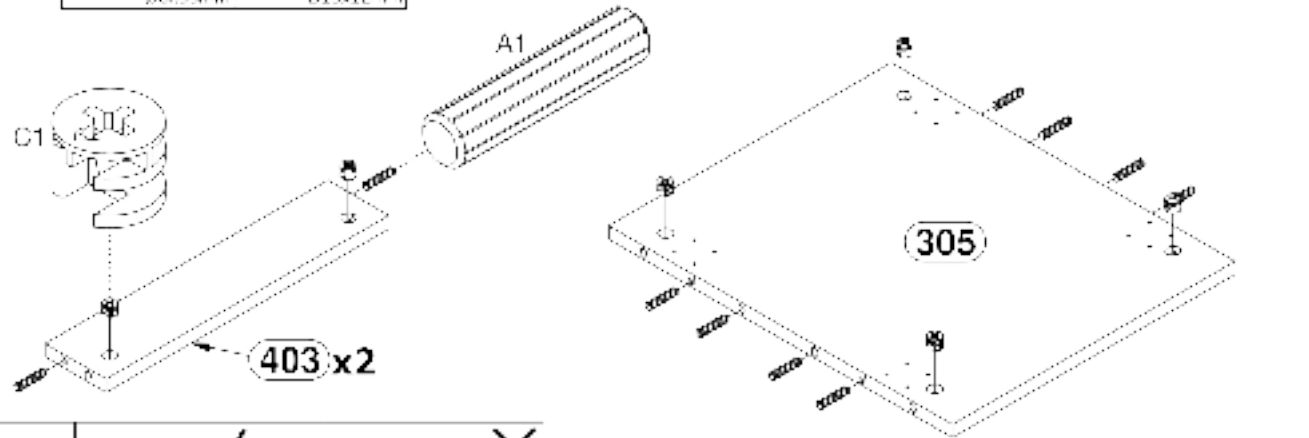


B1 x 8 Ø6x38mm	E4 x 4 9x11mm
Pc x 2 406mm	W2 x 4 Ø3.5x16mm



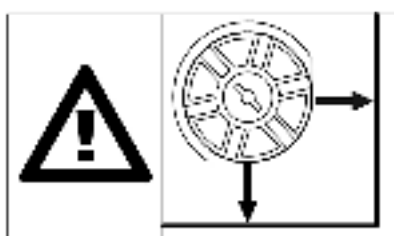
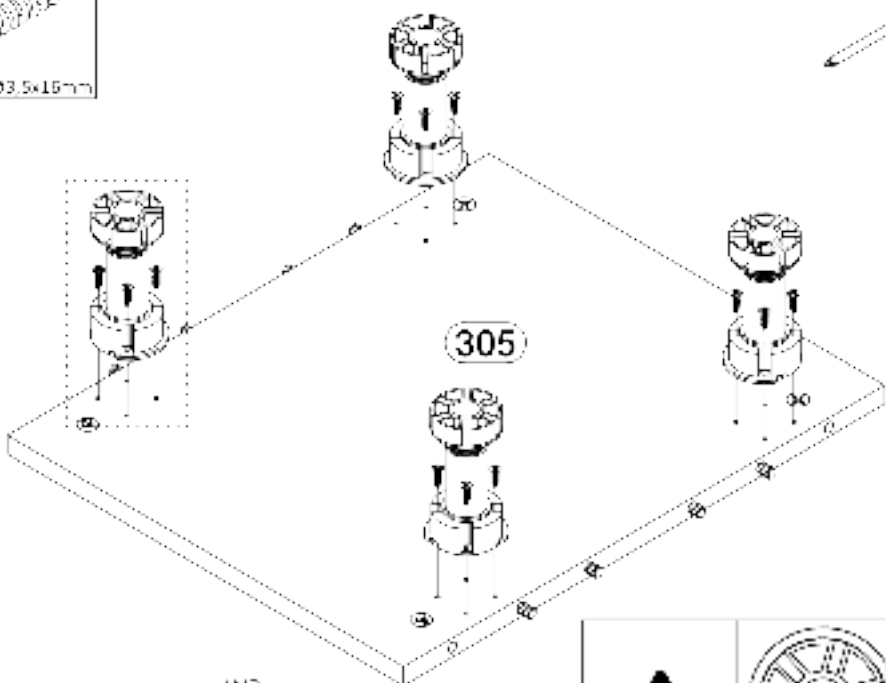
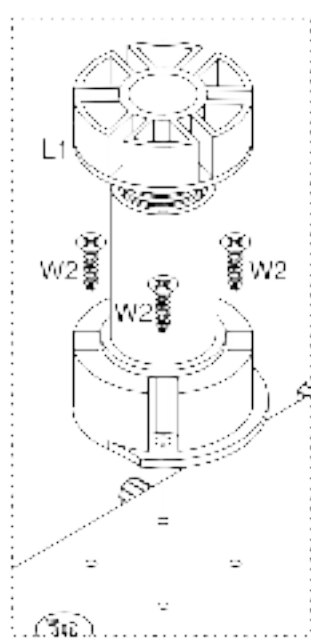
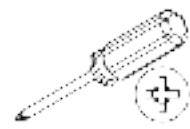
2

A1 x 12 Ø8x15mm	C1 x 8 Ø15x1.2mm
-------------------------------	--------------------------------

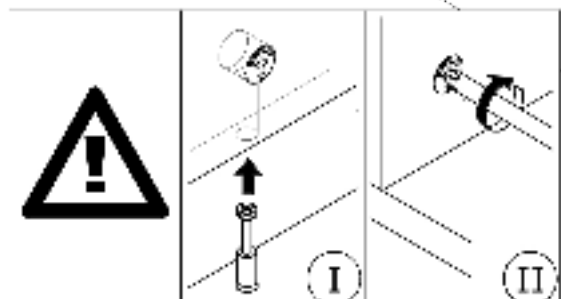
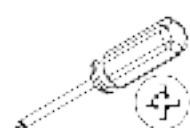
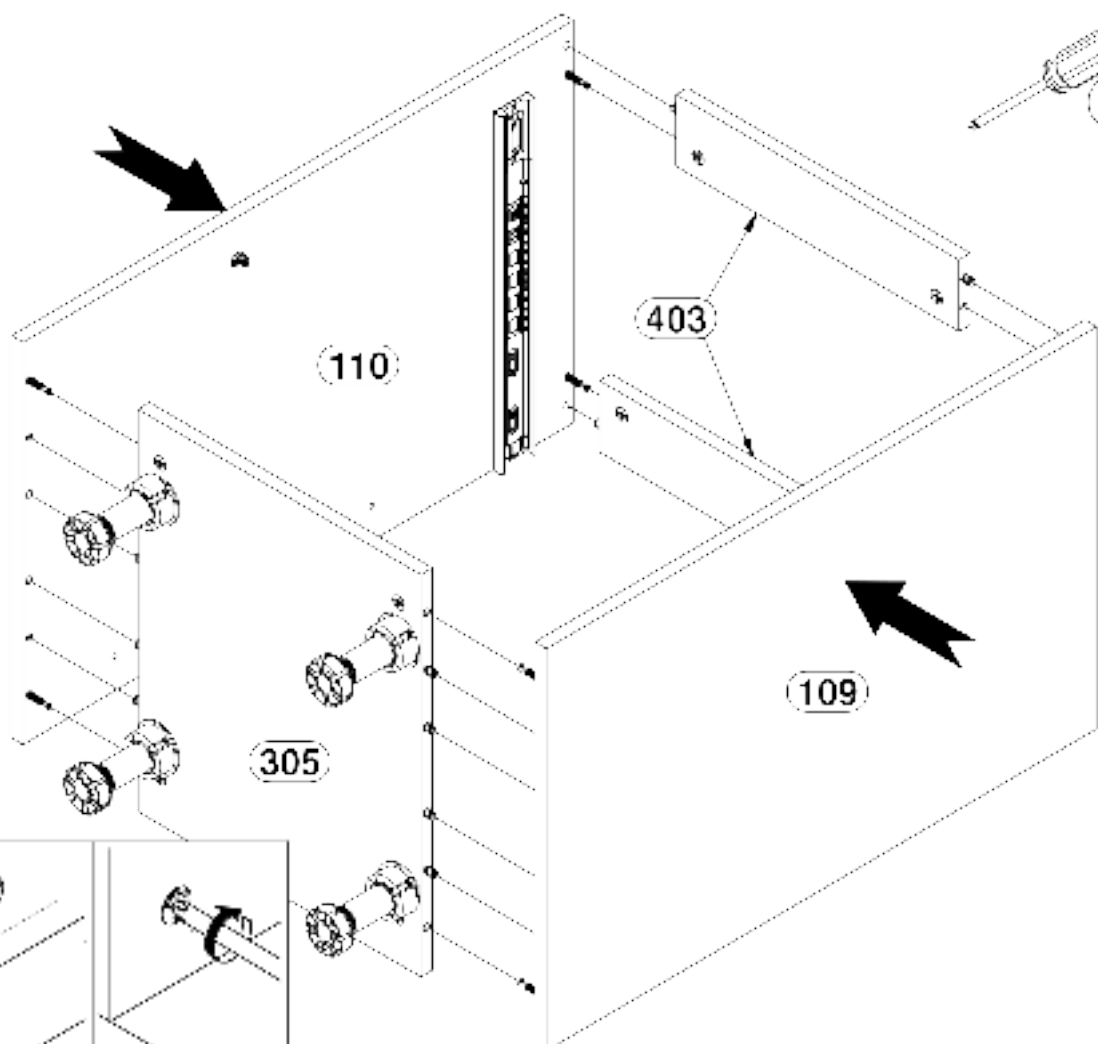


3

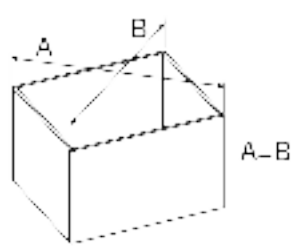
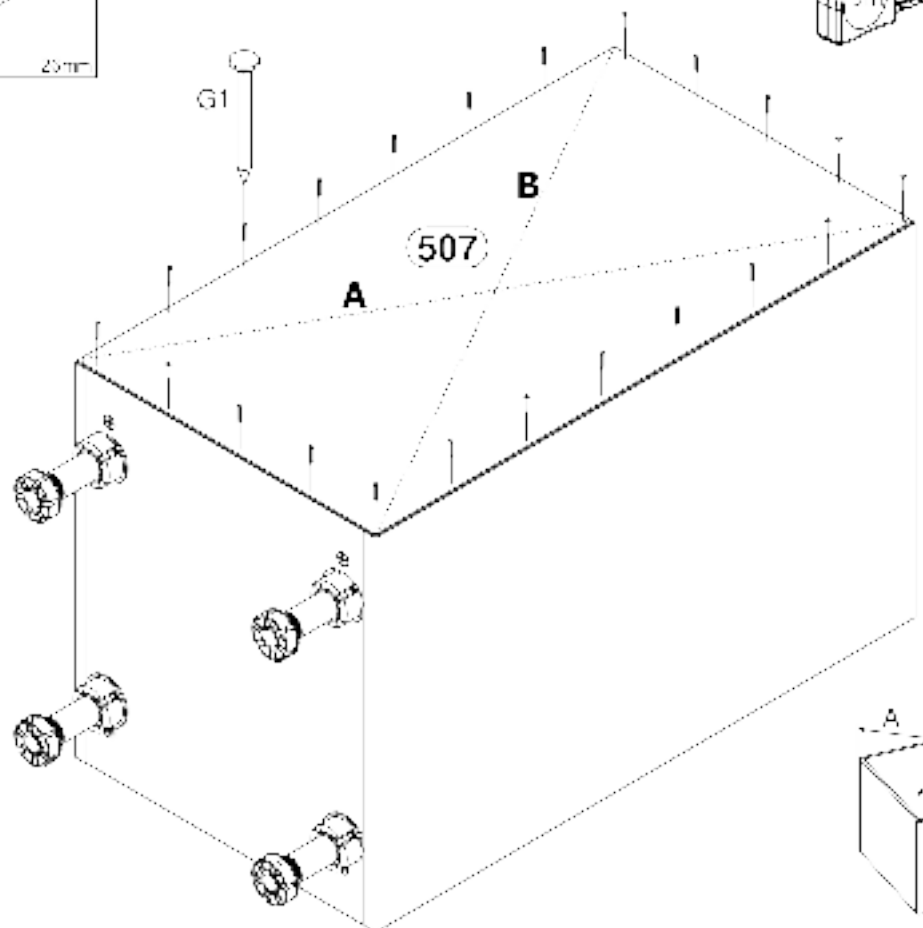
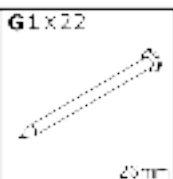
L1 x 4
W2 x 16
Ø60 x 55 mm
Ø3.5 x 15 mm



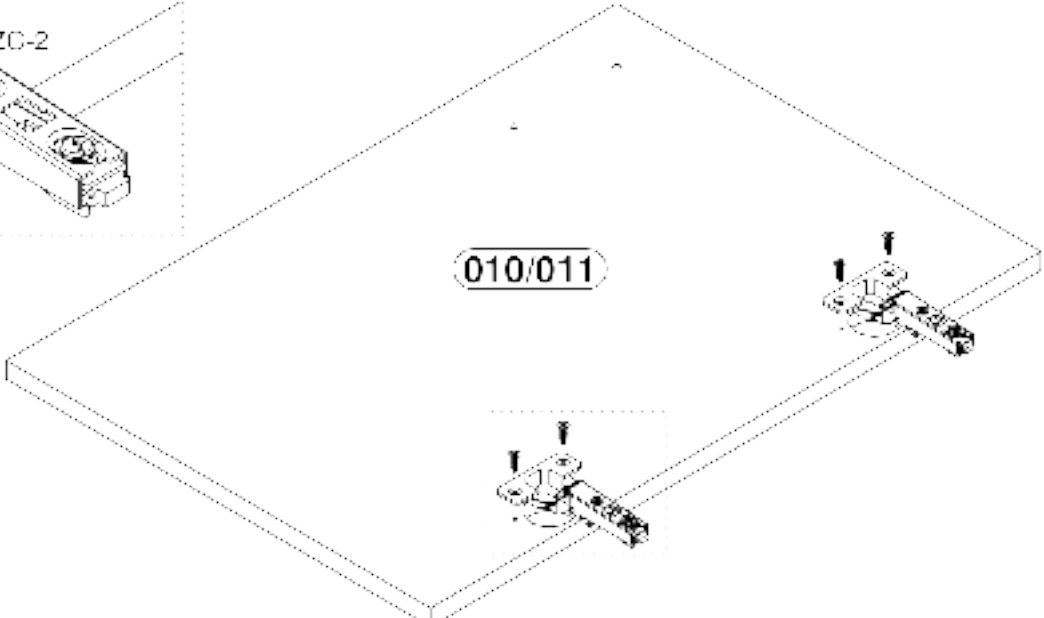
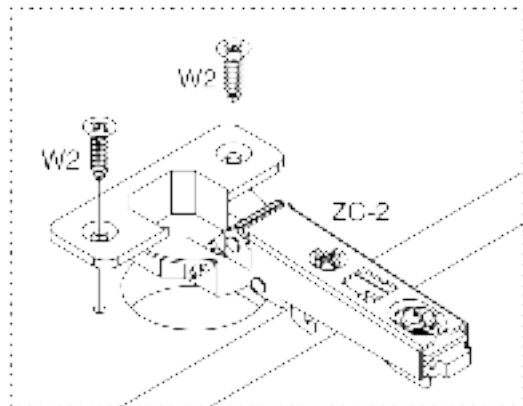
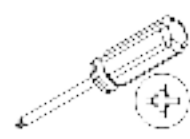
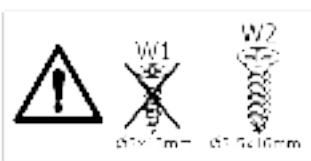
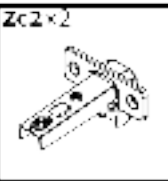
4



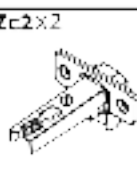
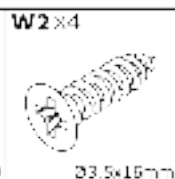
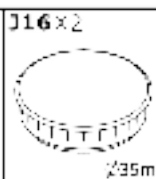
5



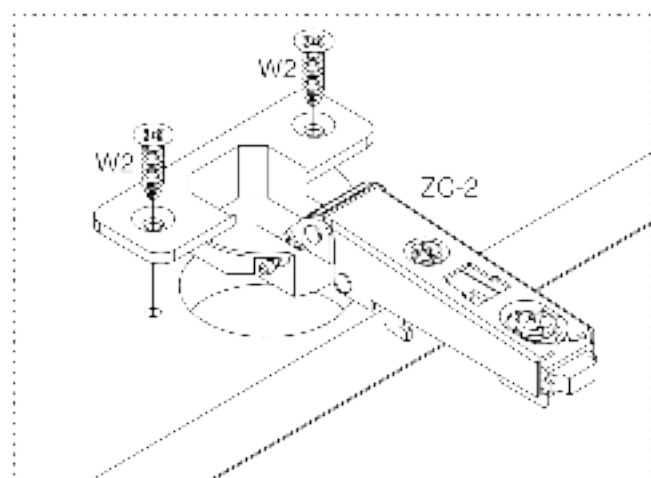
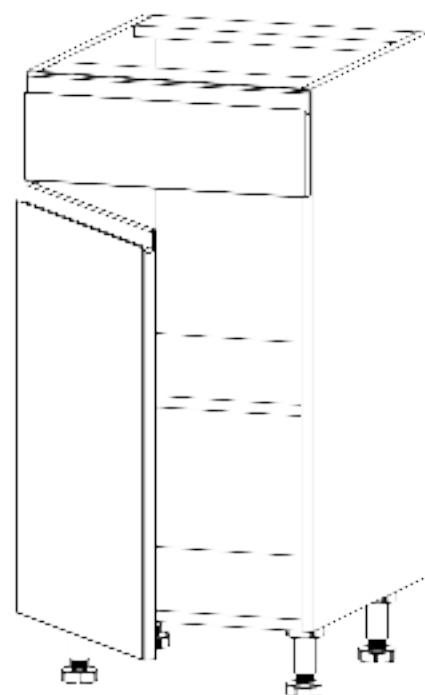
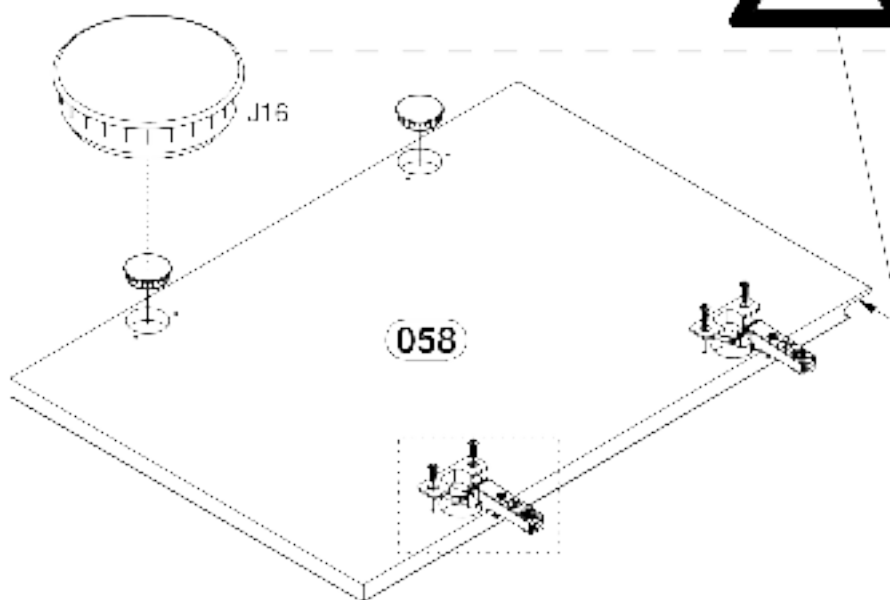
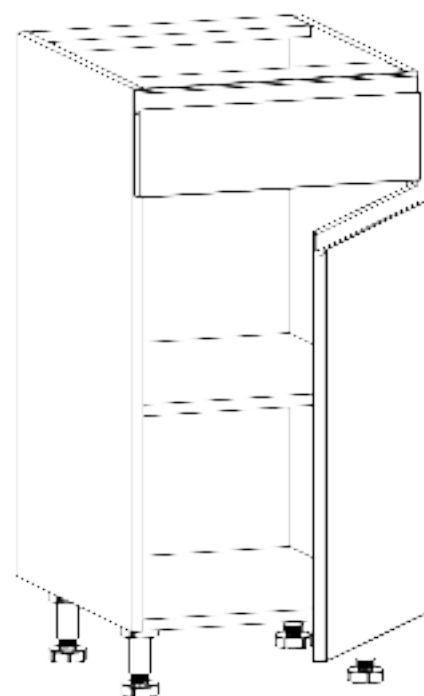
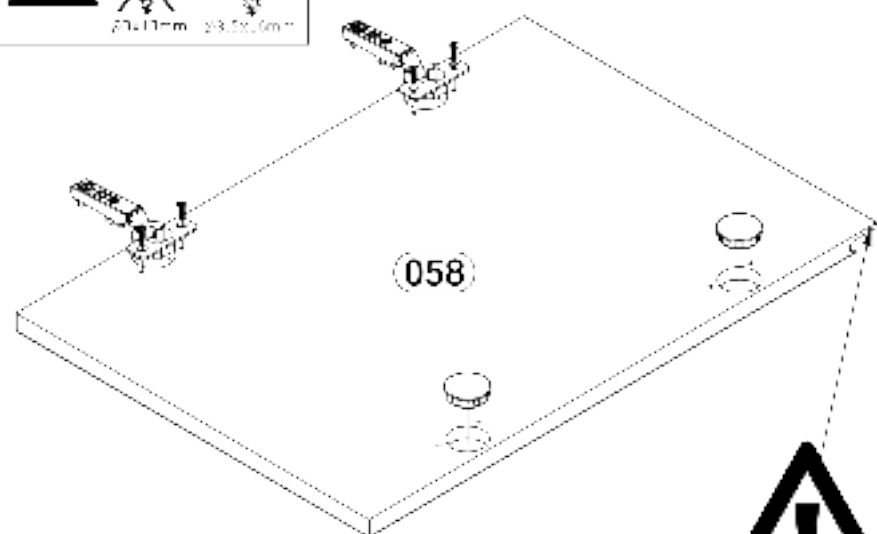
6a



6b



S40/1SZ



7

A1 x 2



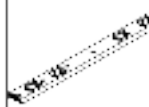
Ø8x35mm

B1 x 2



35x28mm

PC-b x 2

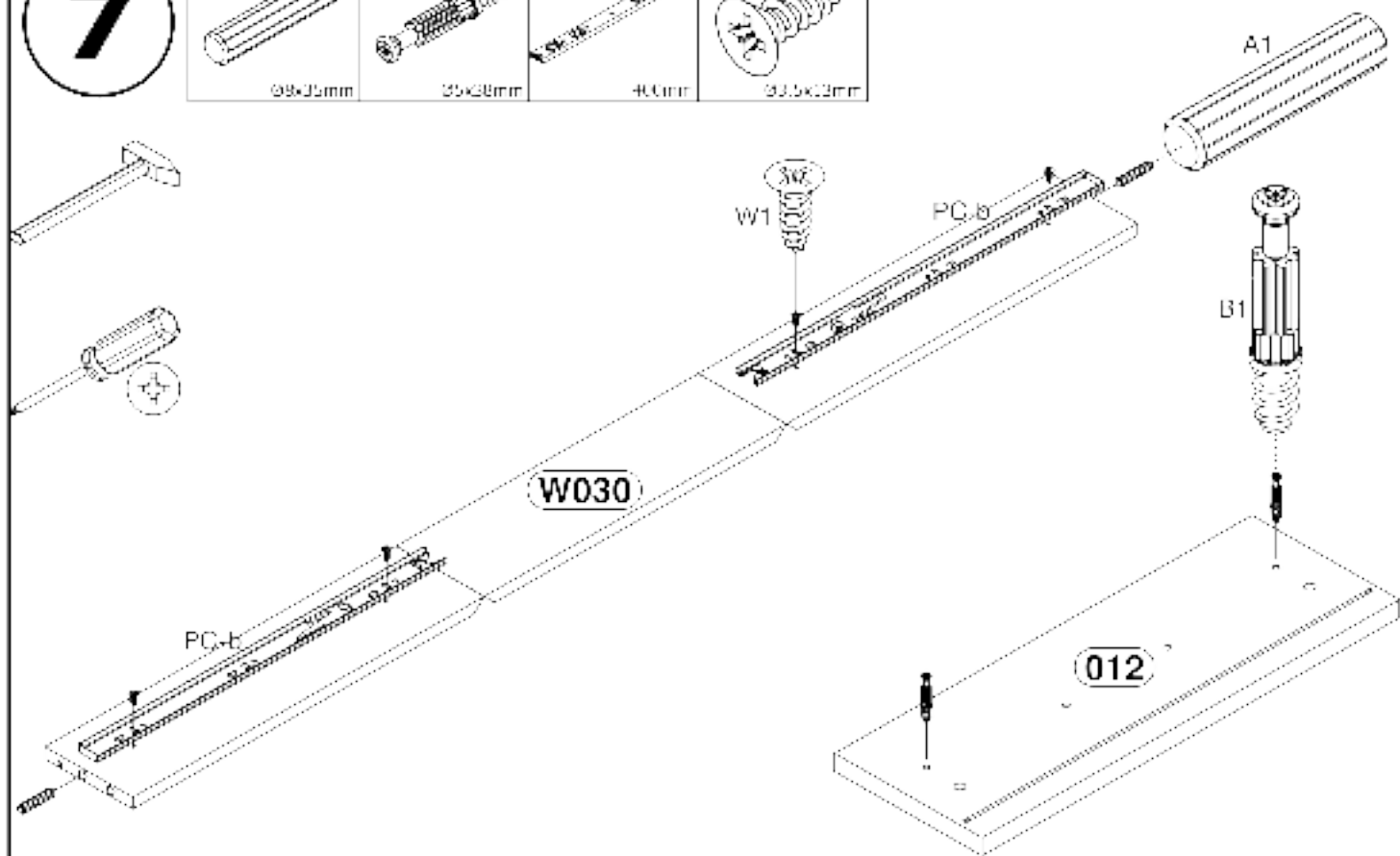
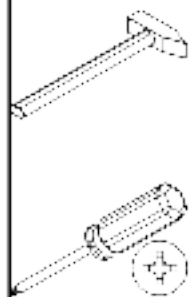


400mm

W1 x 4

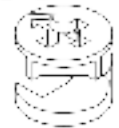


Ø3.5x23mm

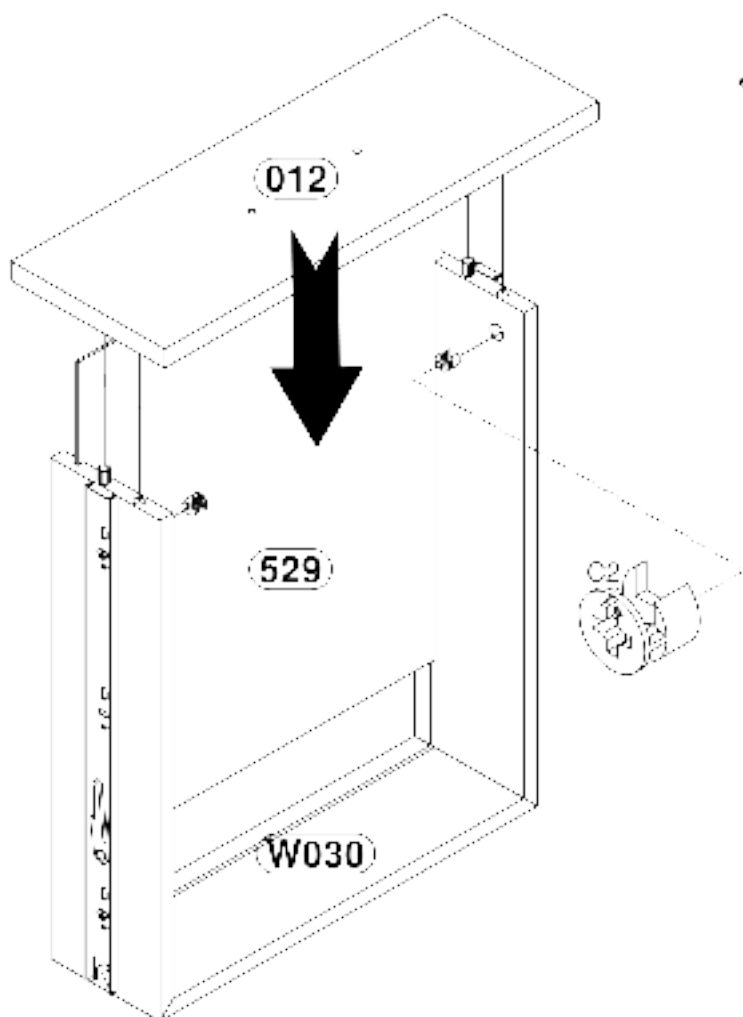
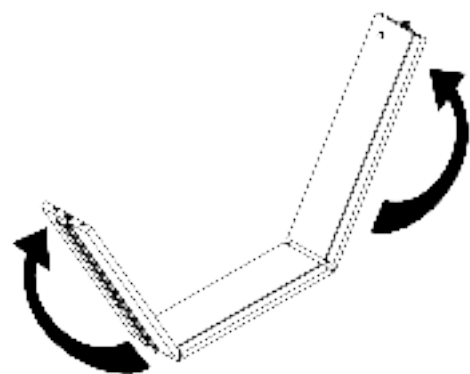


8

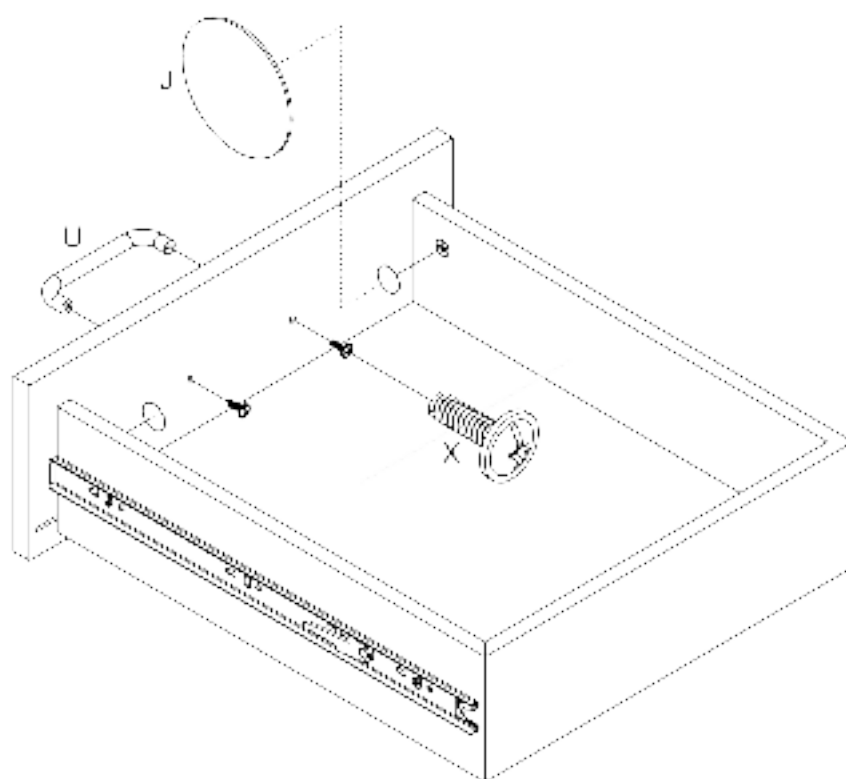
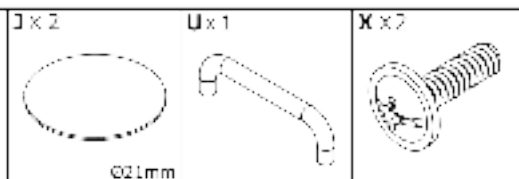
C2 x 2



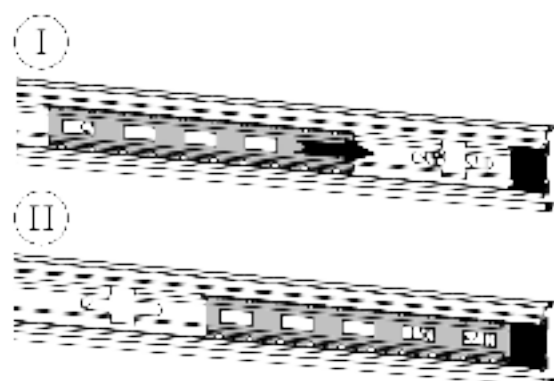
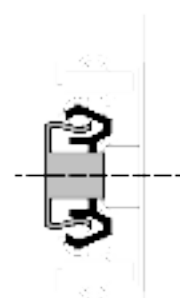
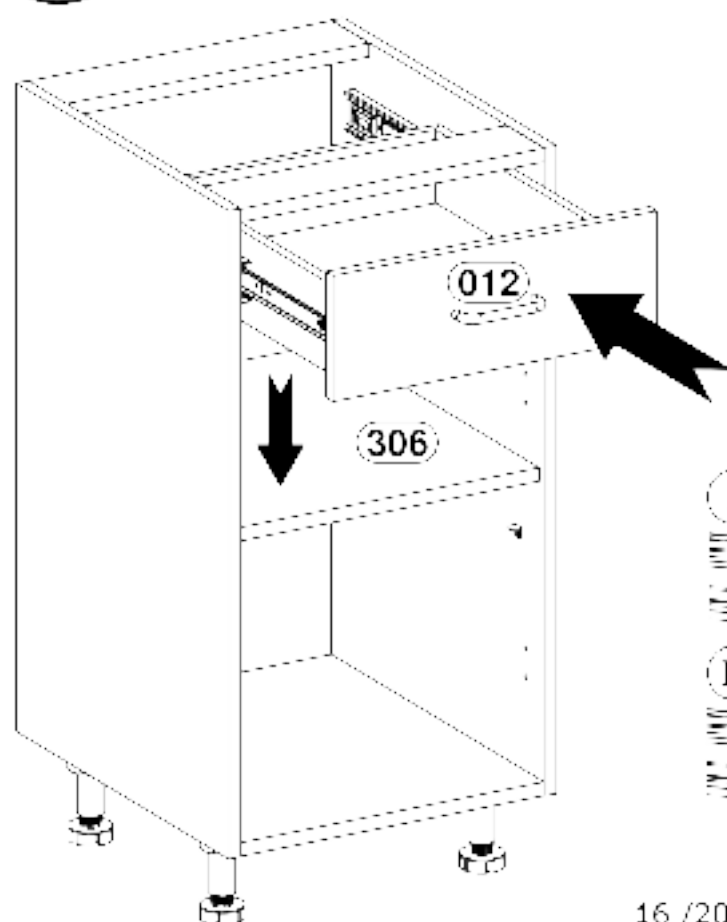
Ø17x10mm



9



10

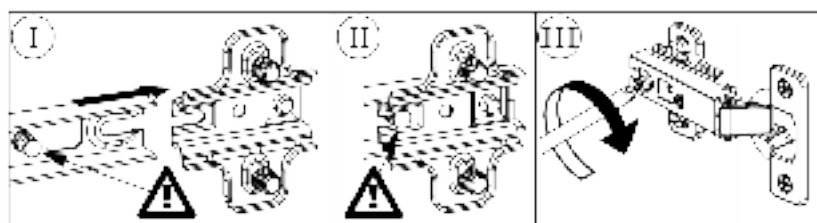
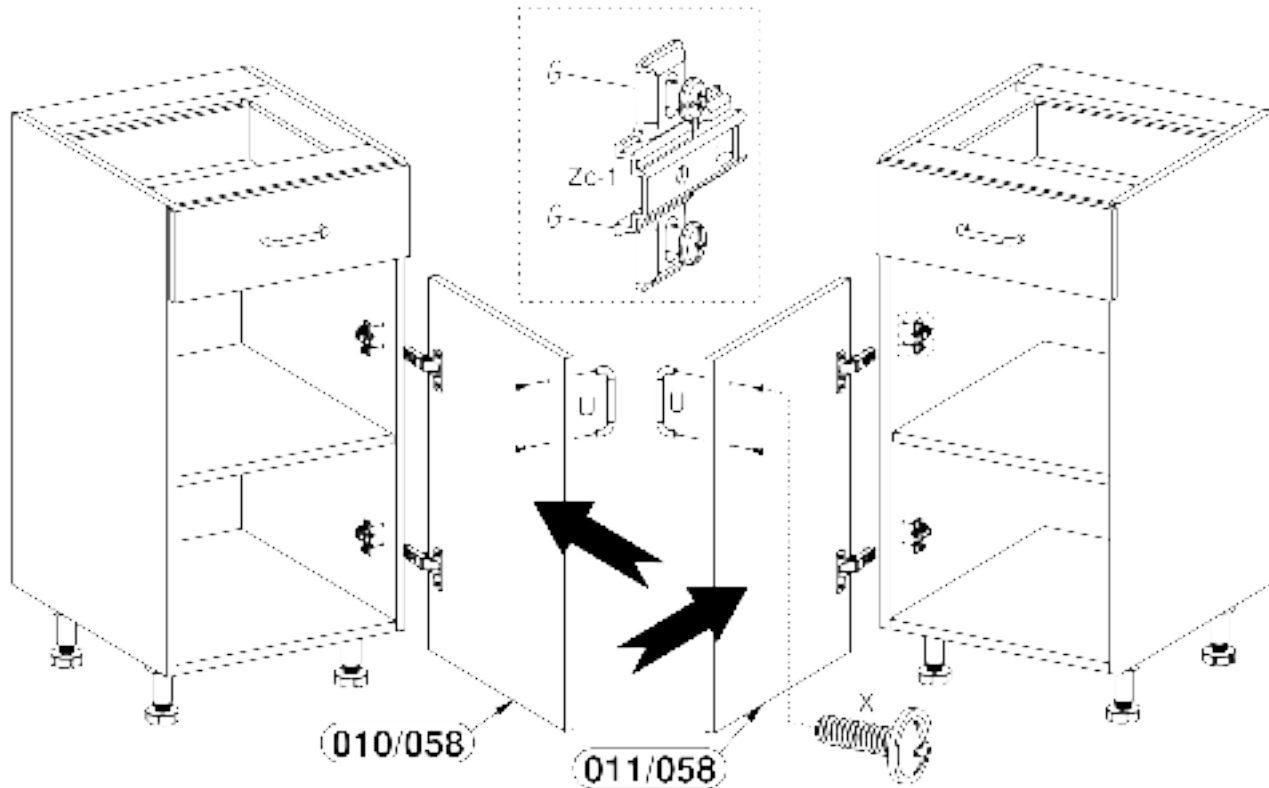


11

Ux1

Xx2

Zc1x2

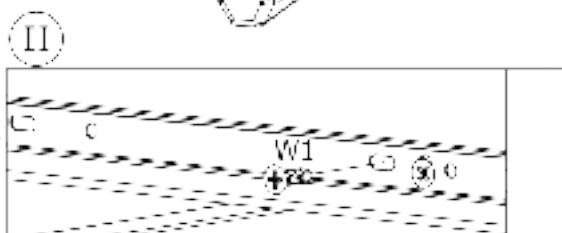
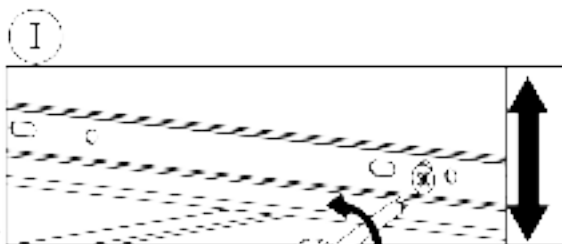
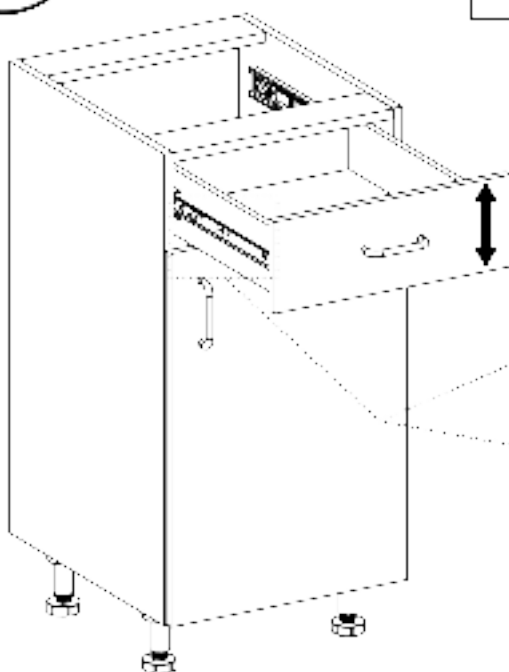
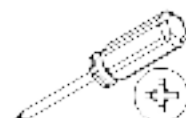


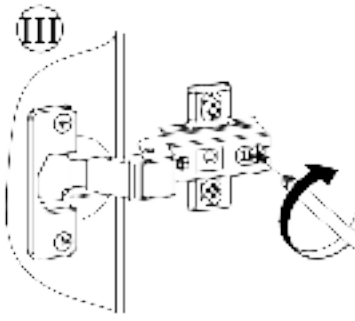
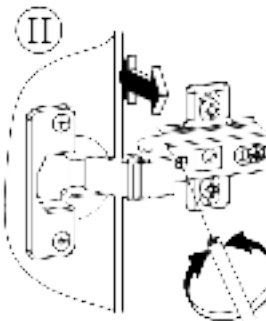
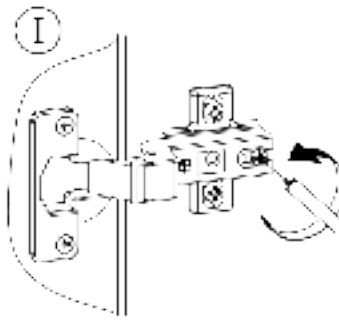
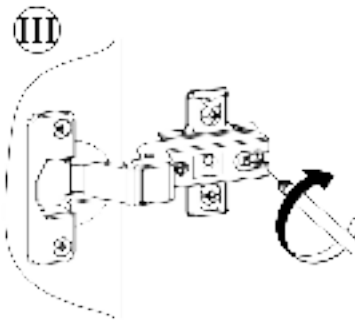
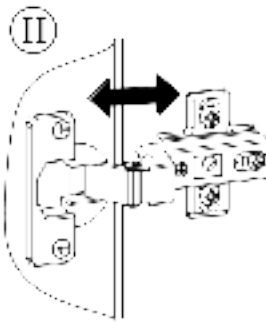
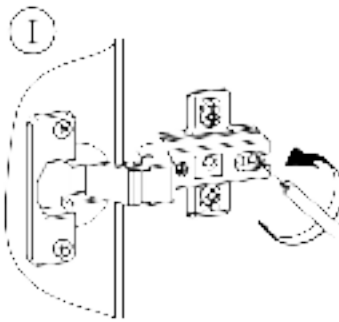
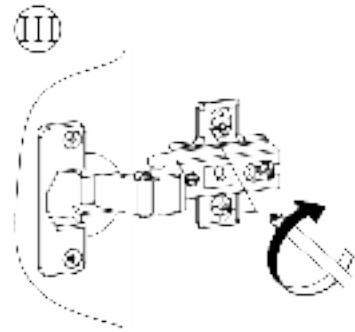
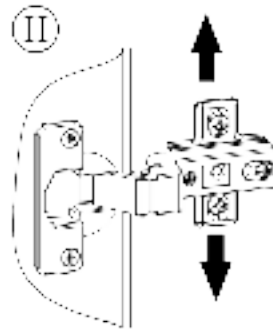
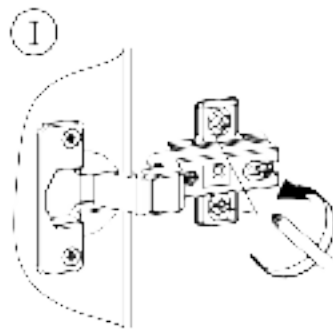
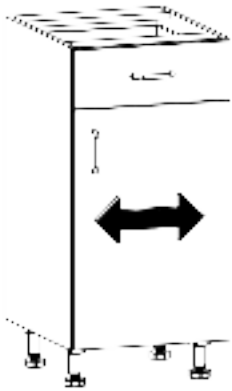
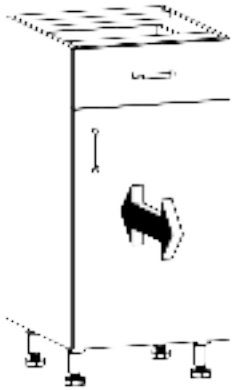
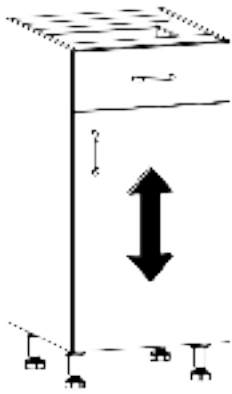
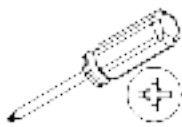
12

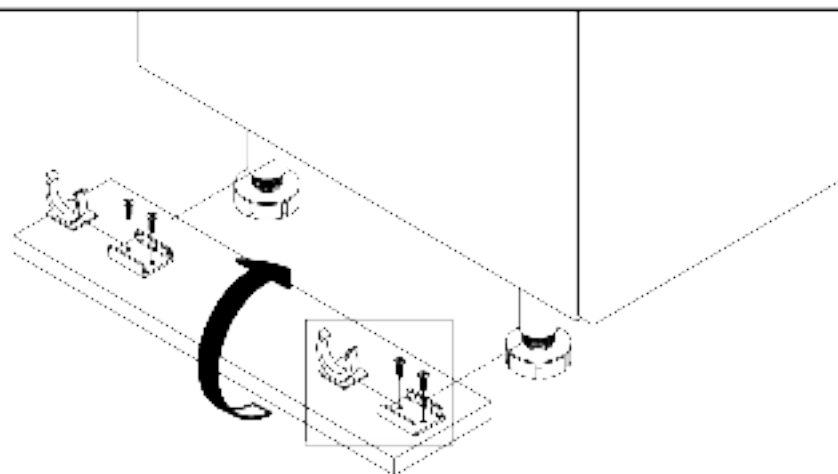
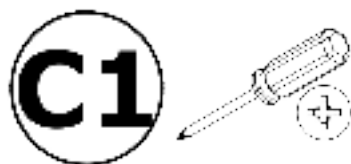
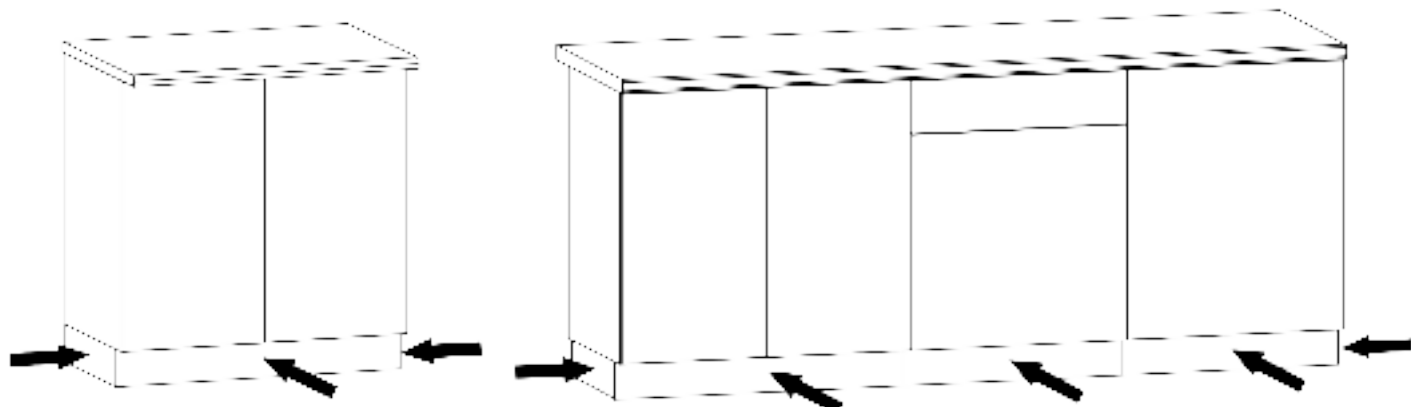
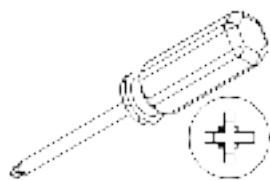
W1x2



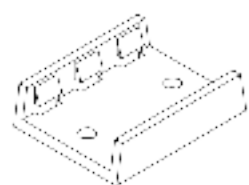
Ø1,5x7mm





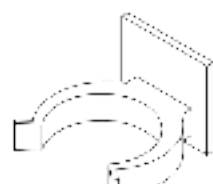


L6-a x 4



38x30x10mm

L6-b x 4

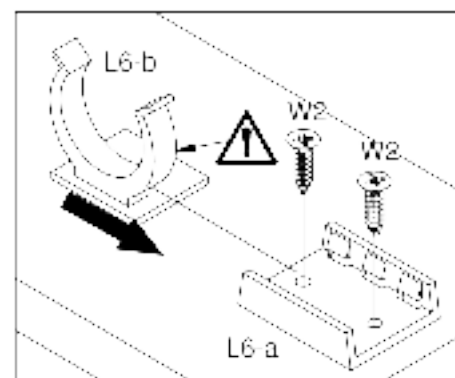


35x32x25mm

W2 x 8

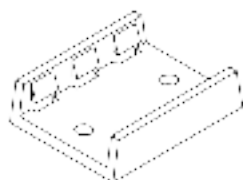


Ø3,5x16mm



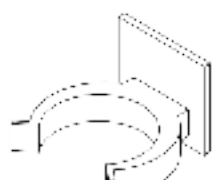


L6-aX2



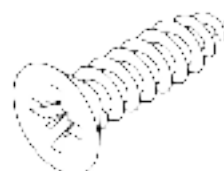
38x30x10mm

L6-bX2



35x32x25mm

W2X4



Ø3,5x16mm

