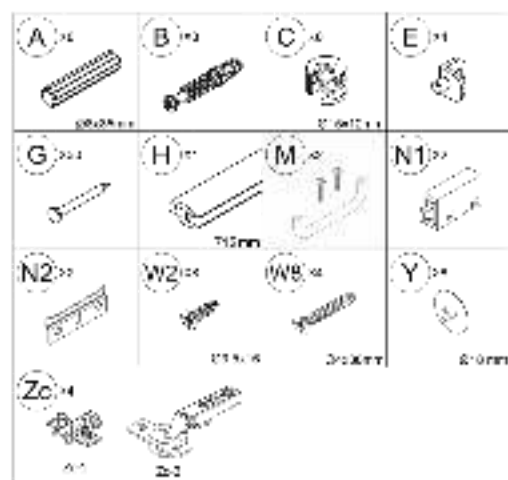
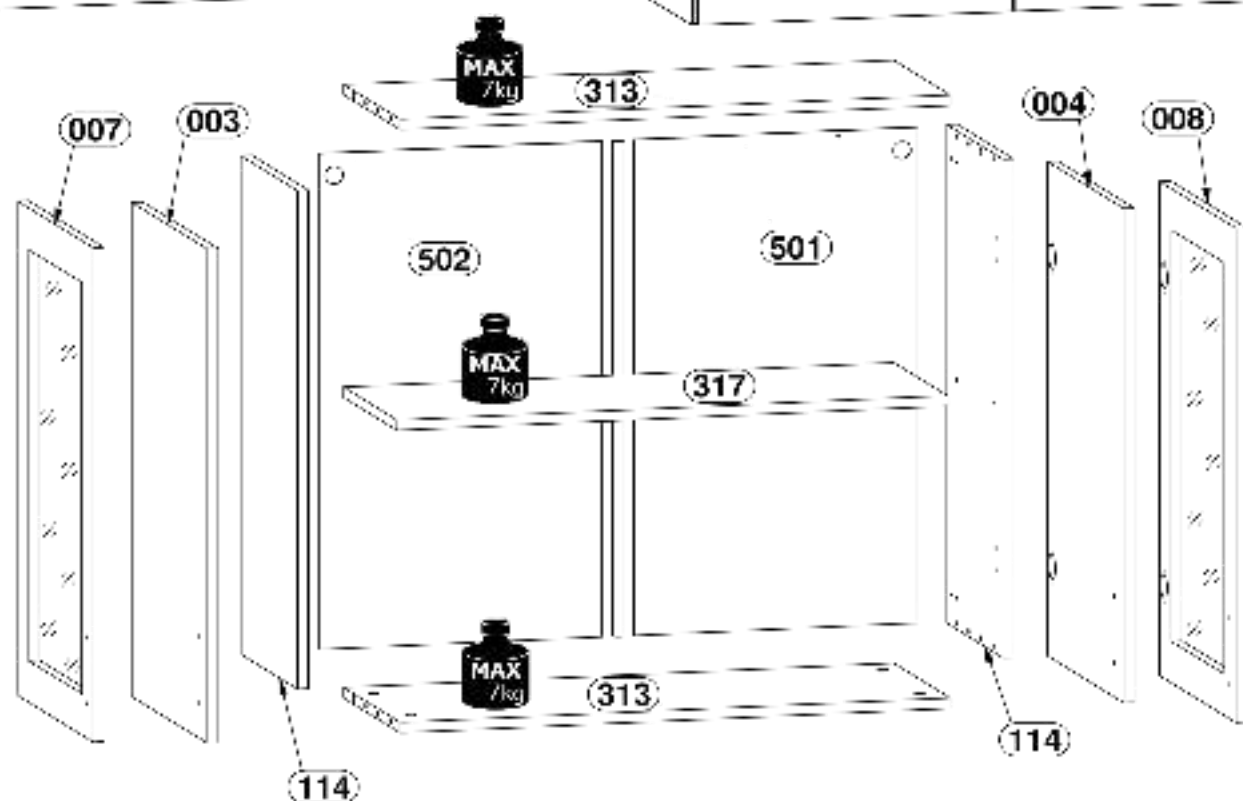
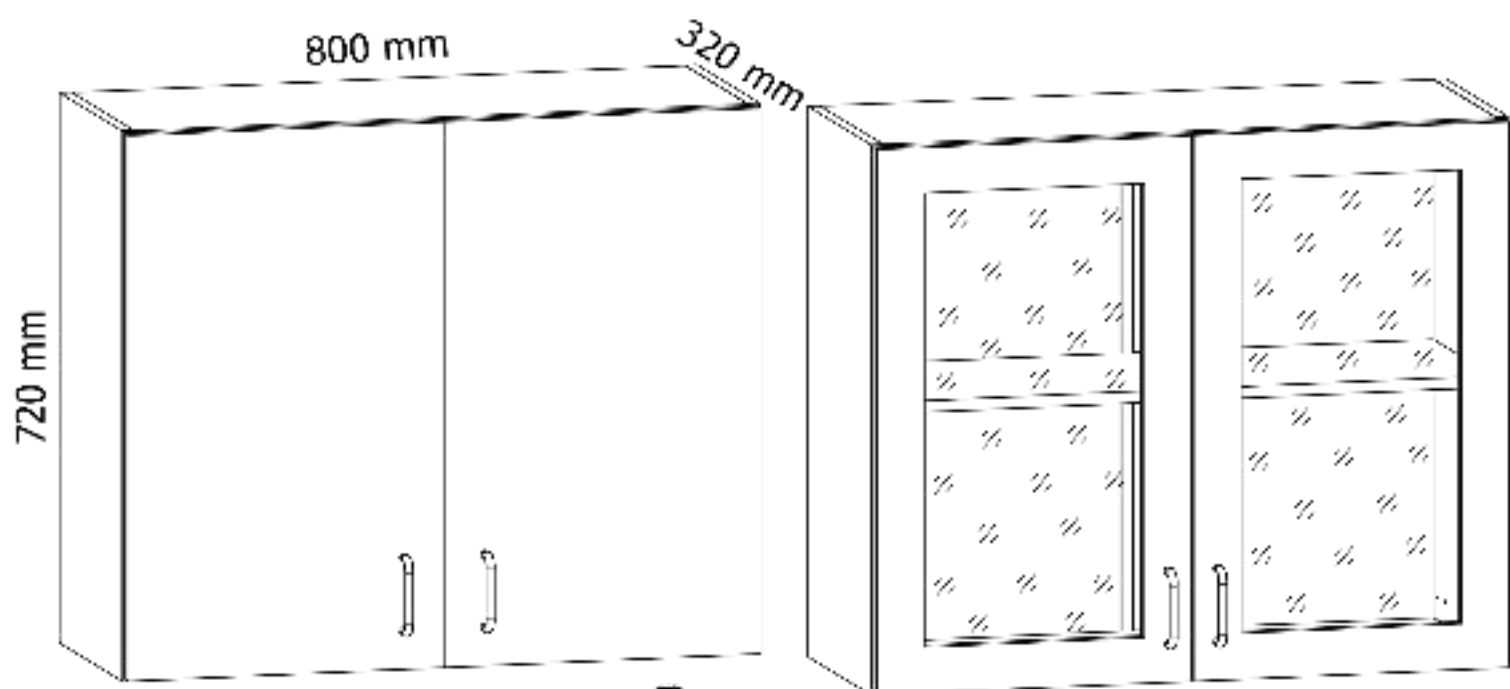
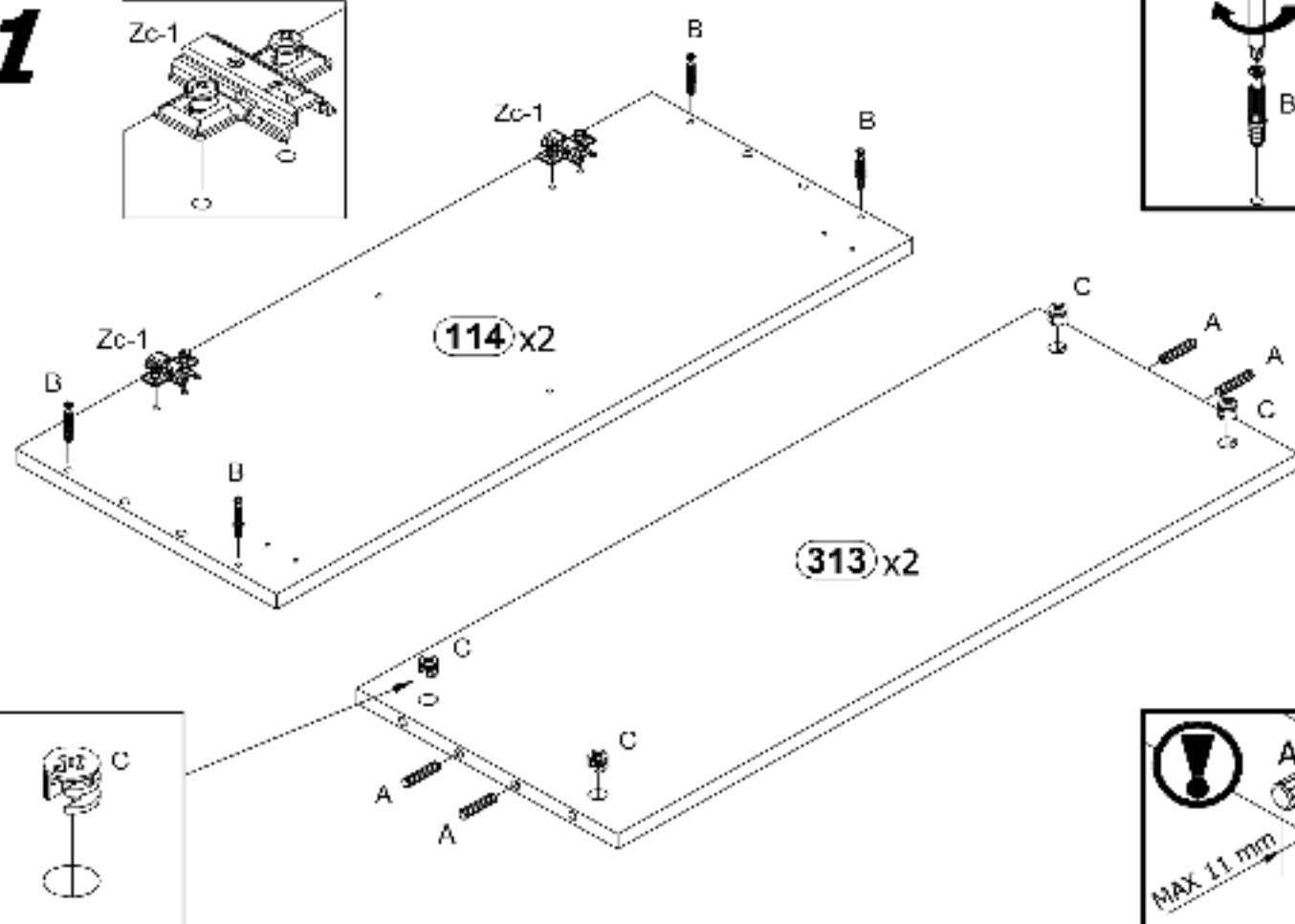
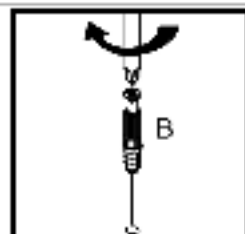
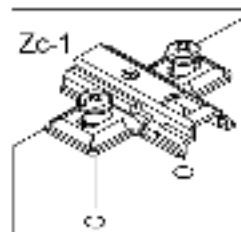
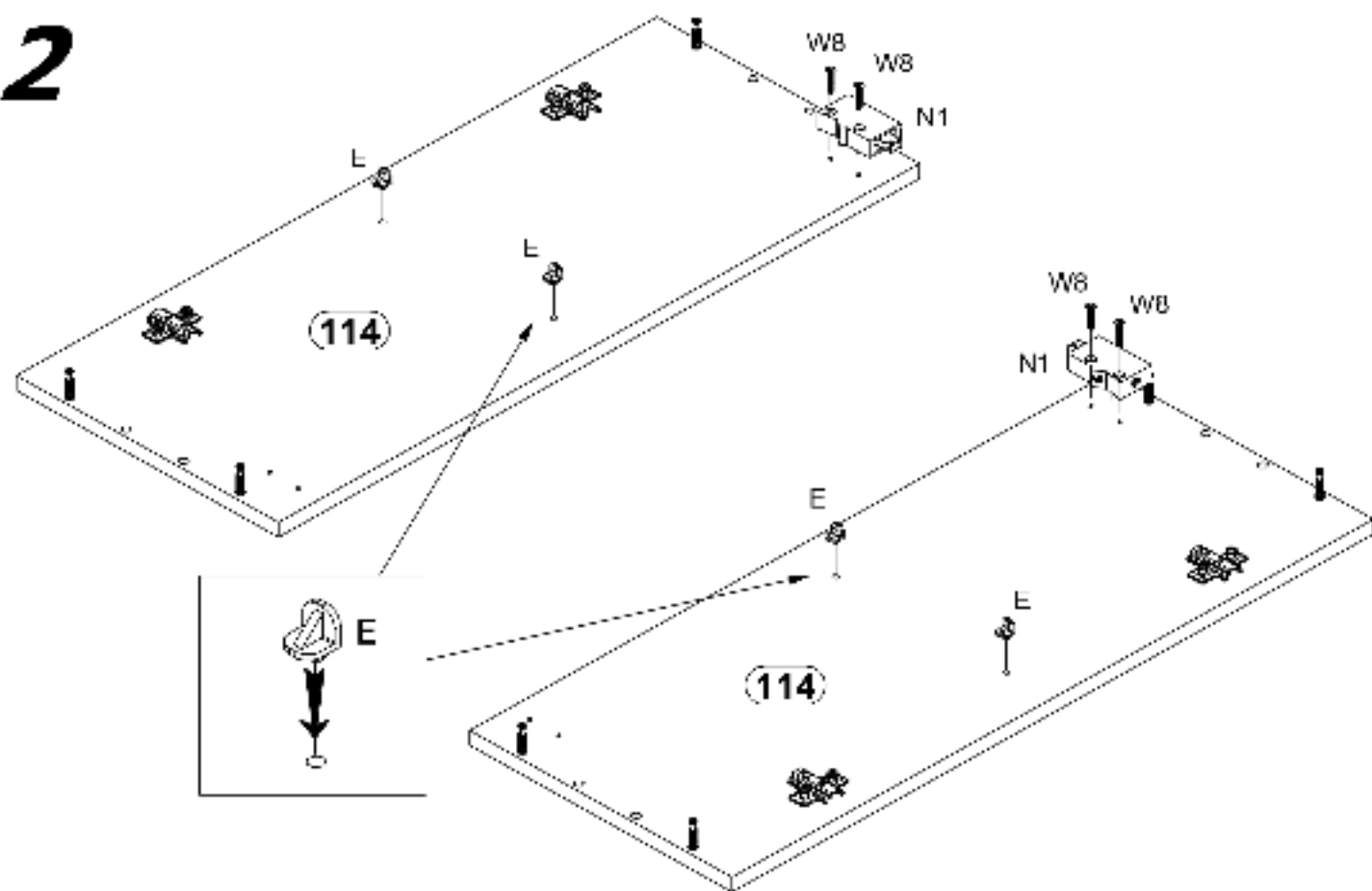
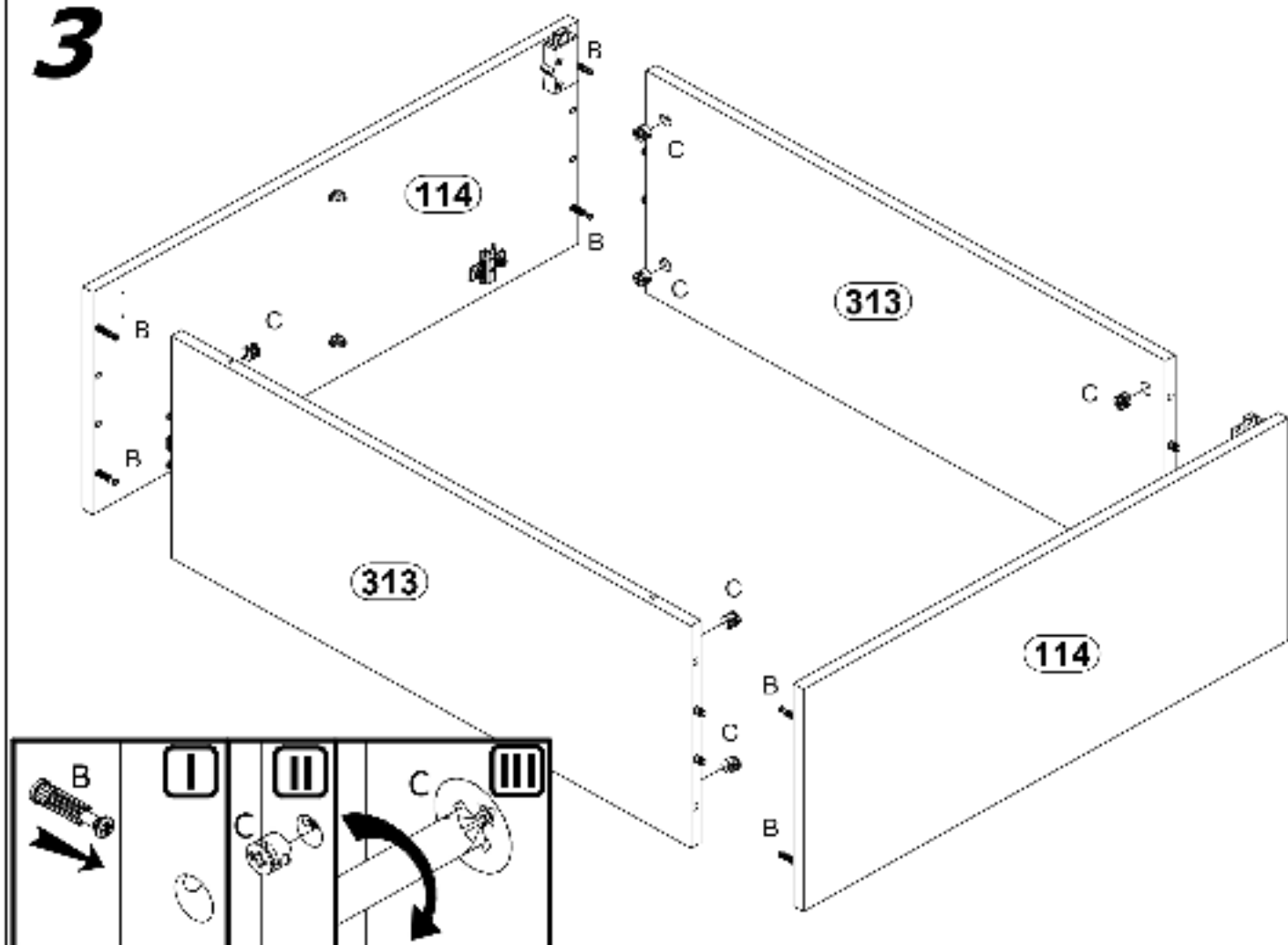
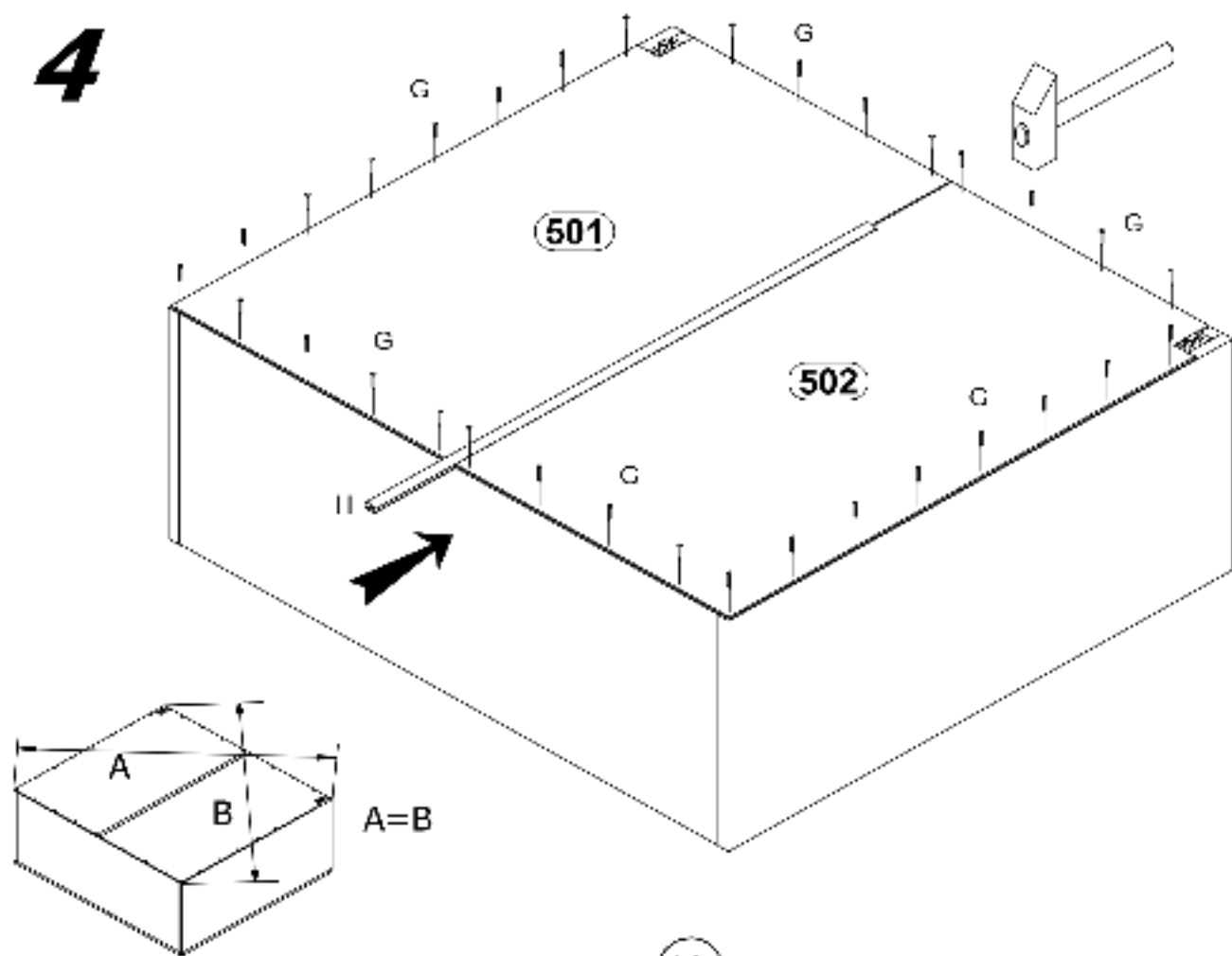


G80 / G80S

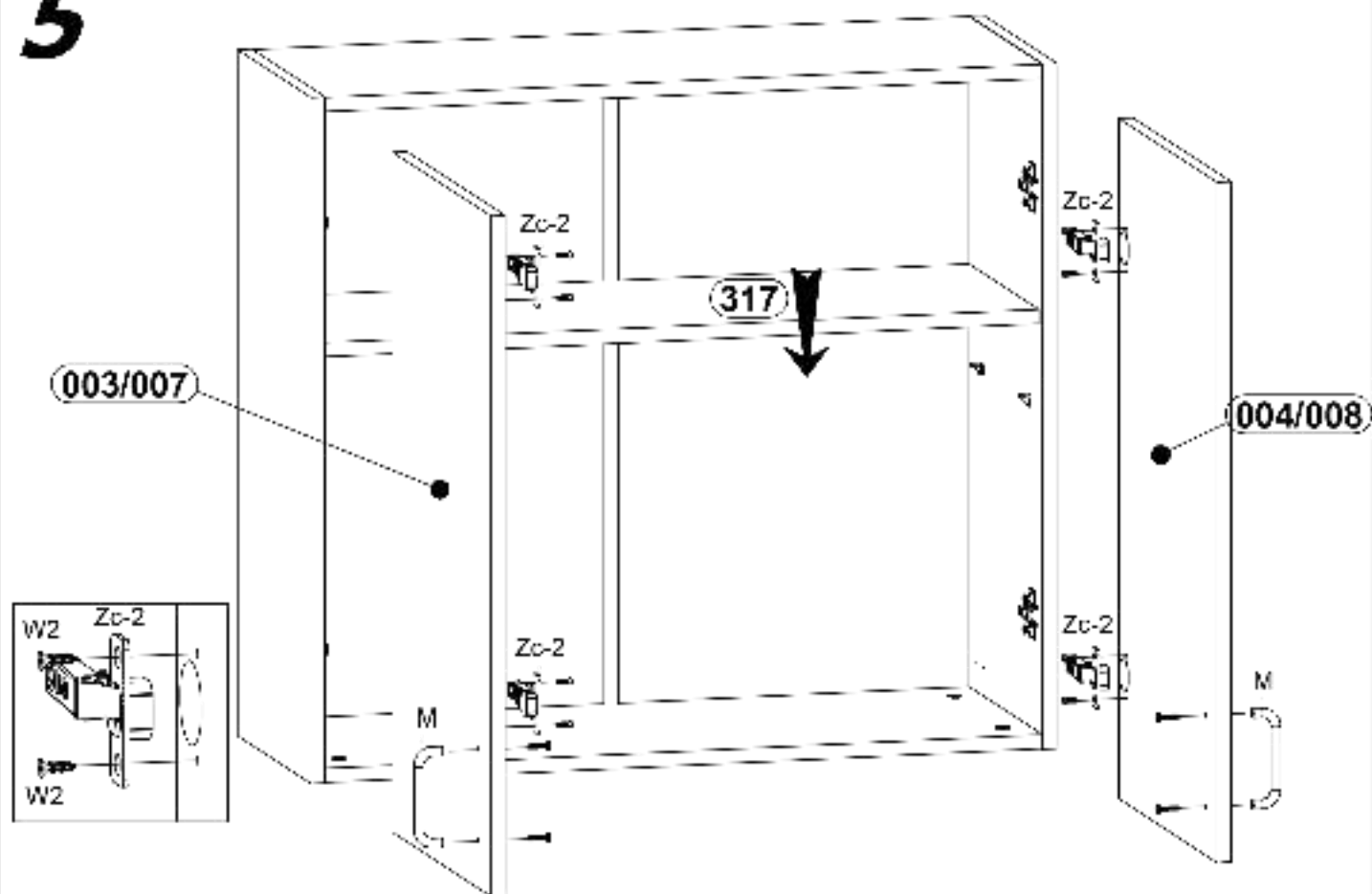
W80/72 W80S/72



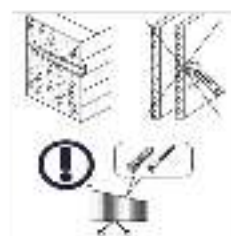
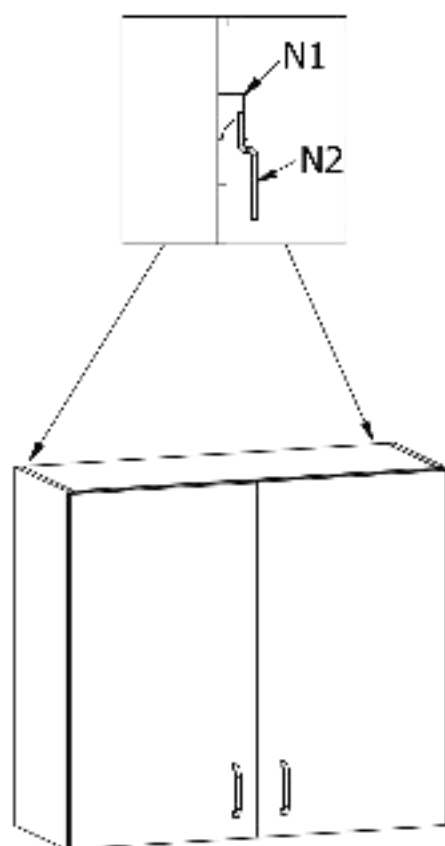
1**2**

3**4**

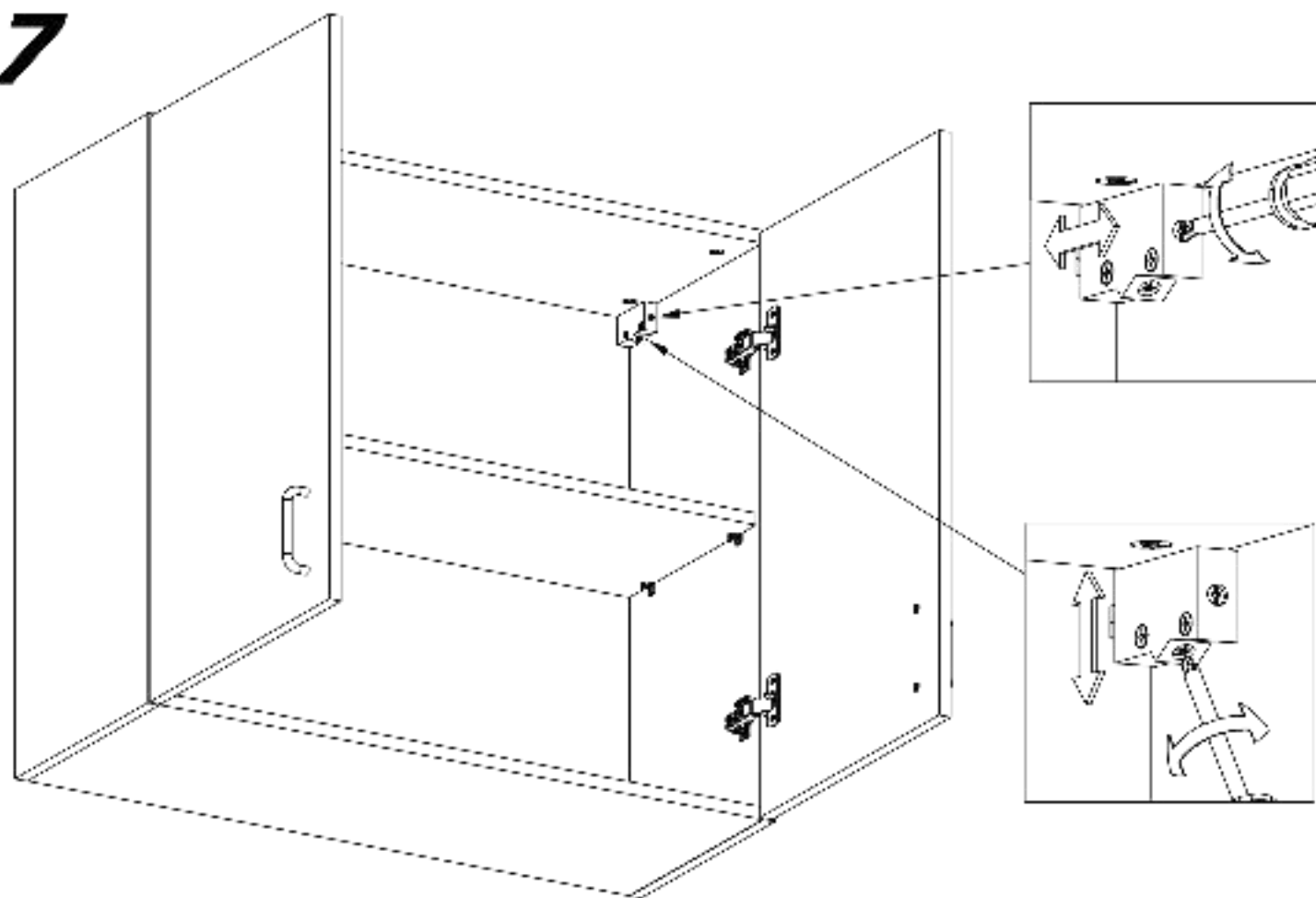
5



6



7



8

