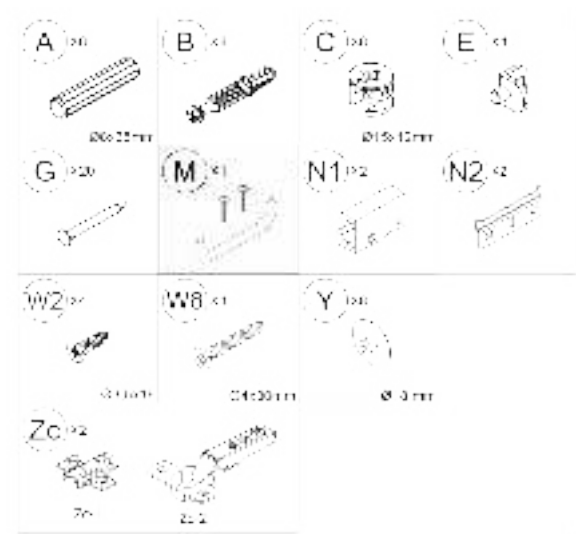
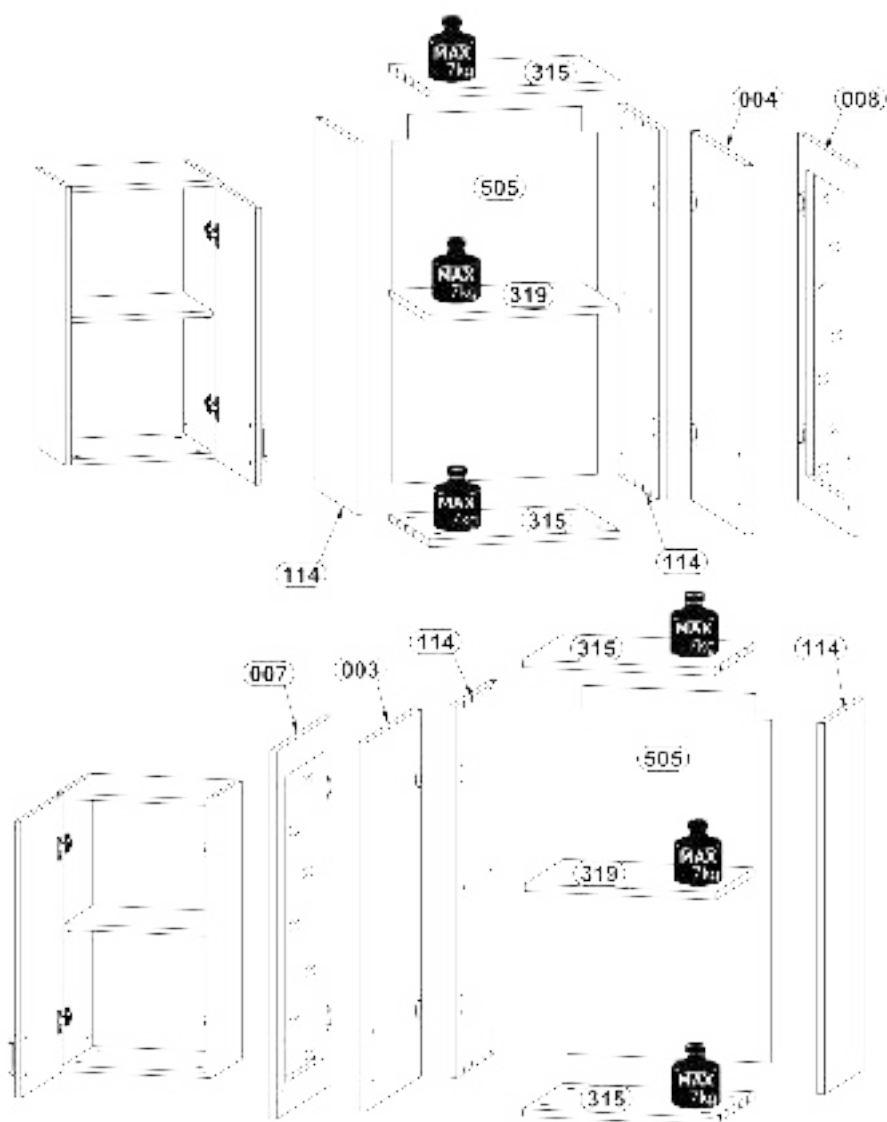
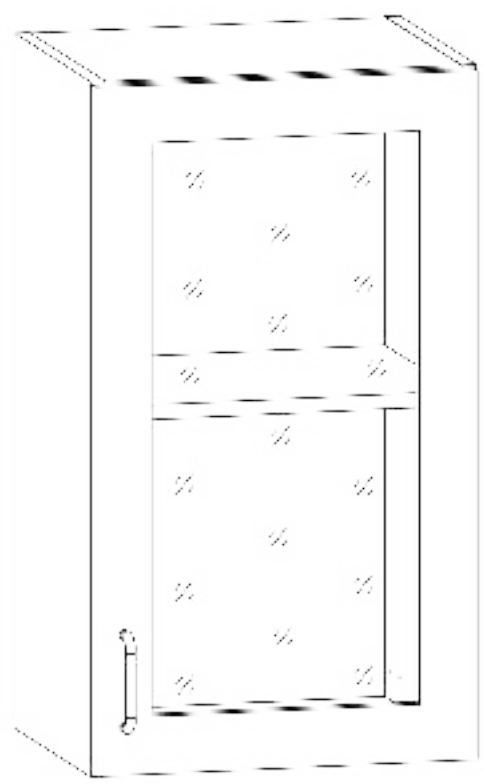
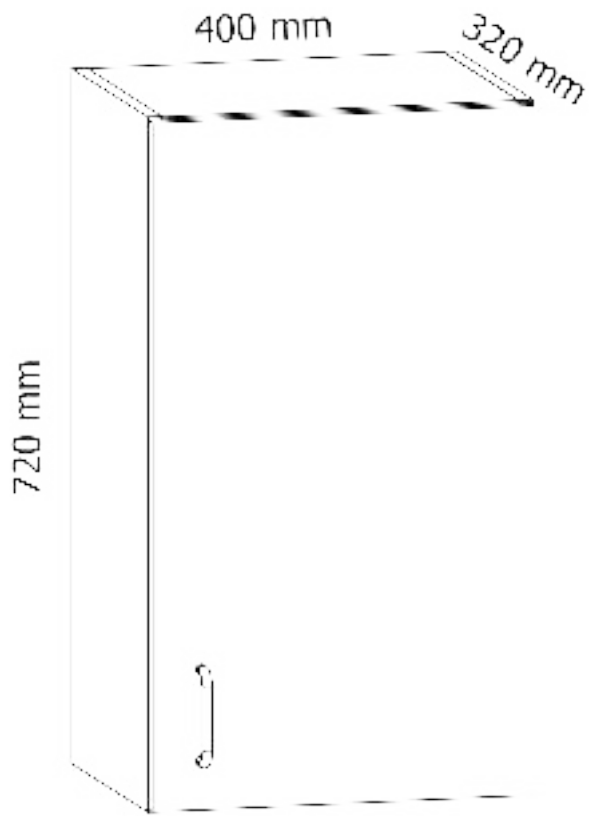
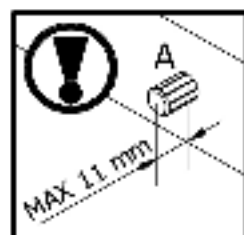
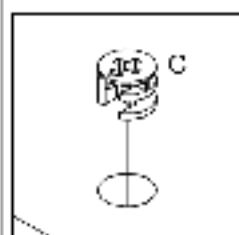
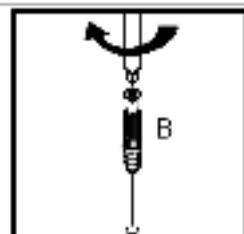
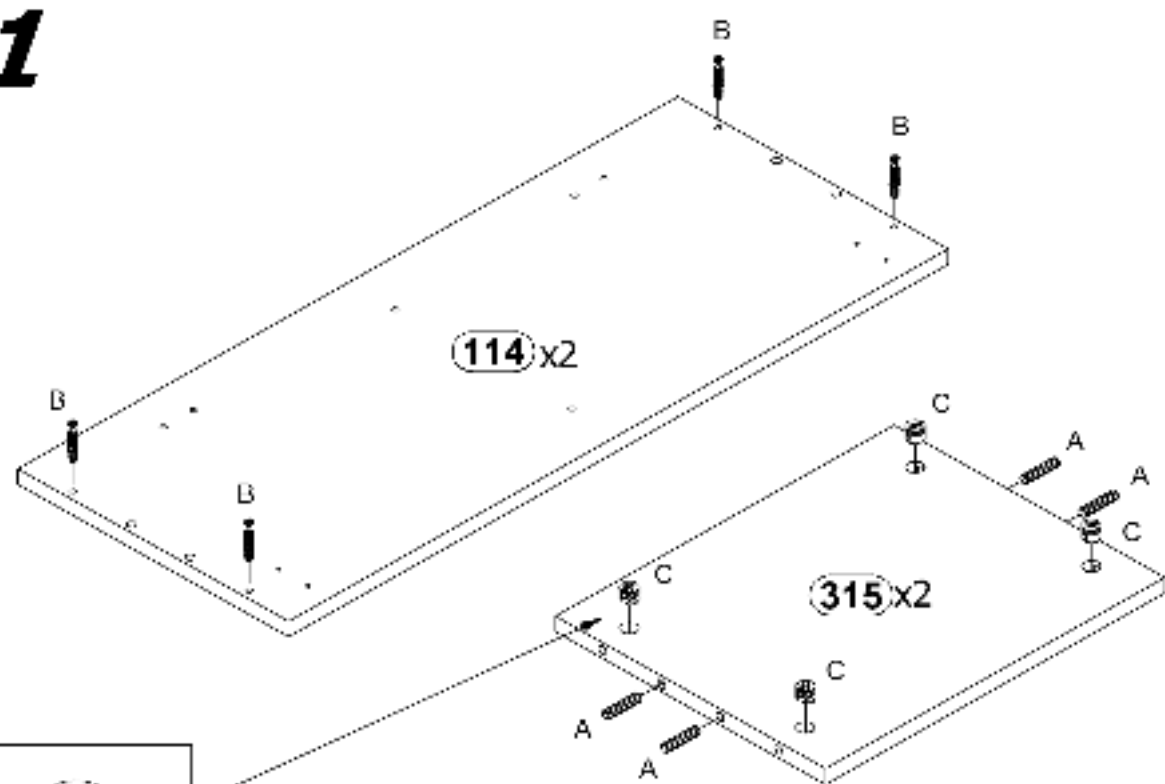


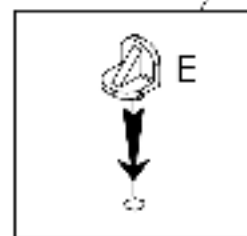
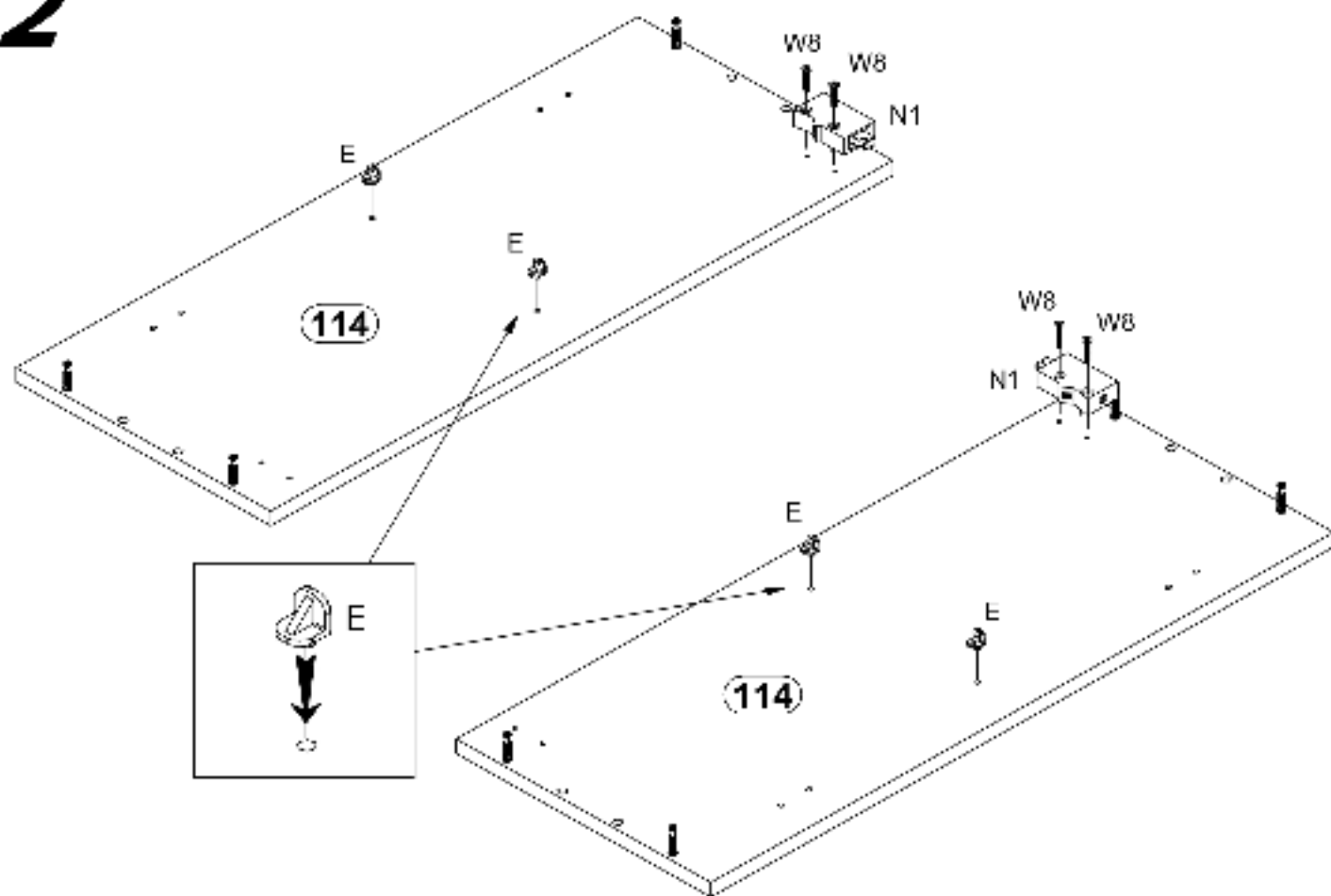
# G40 / G40S



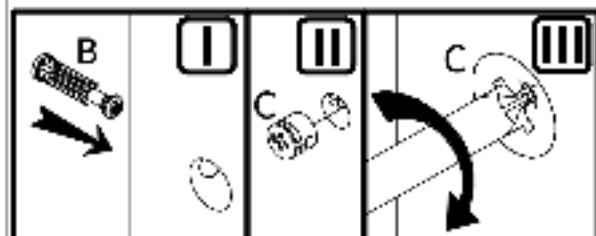
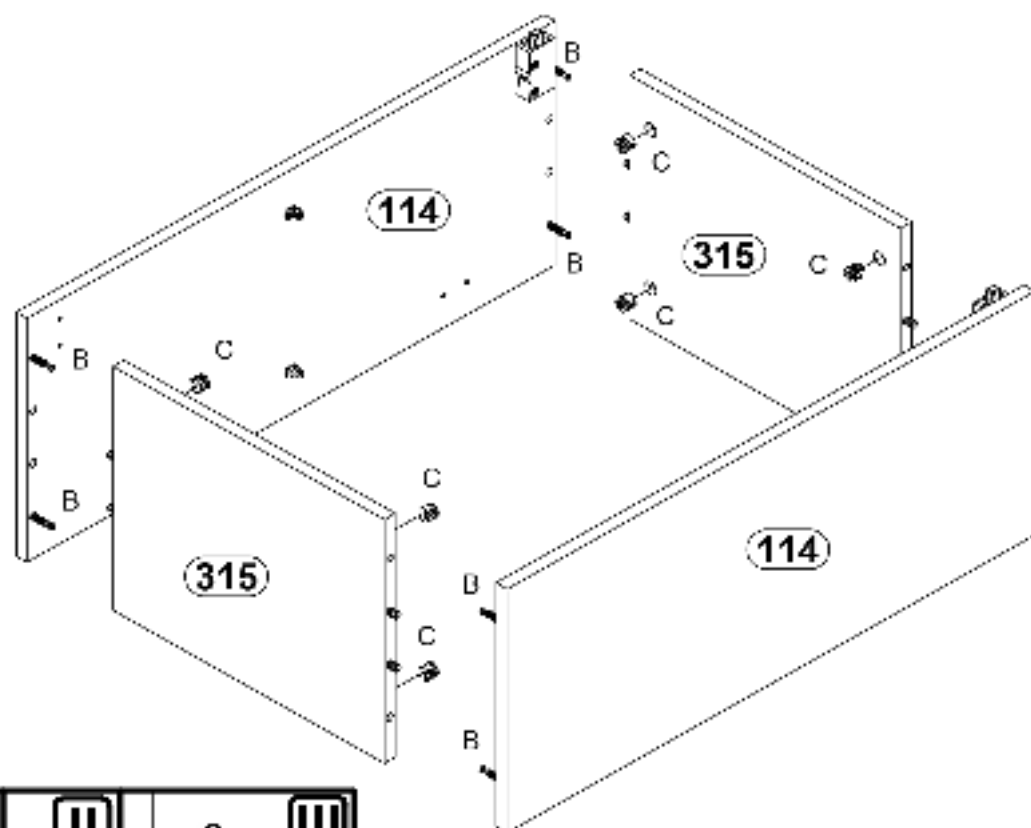
# 1



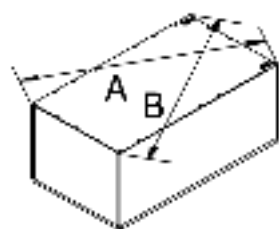
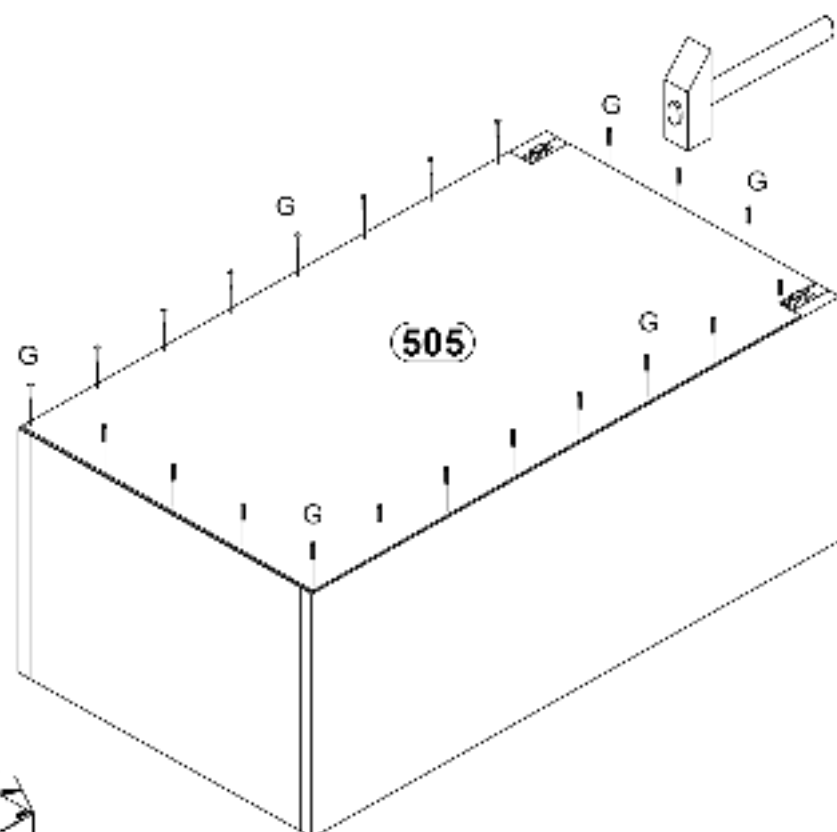
# 2



# 3

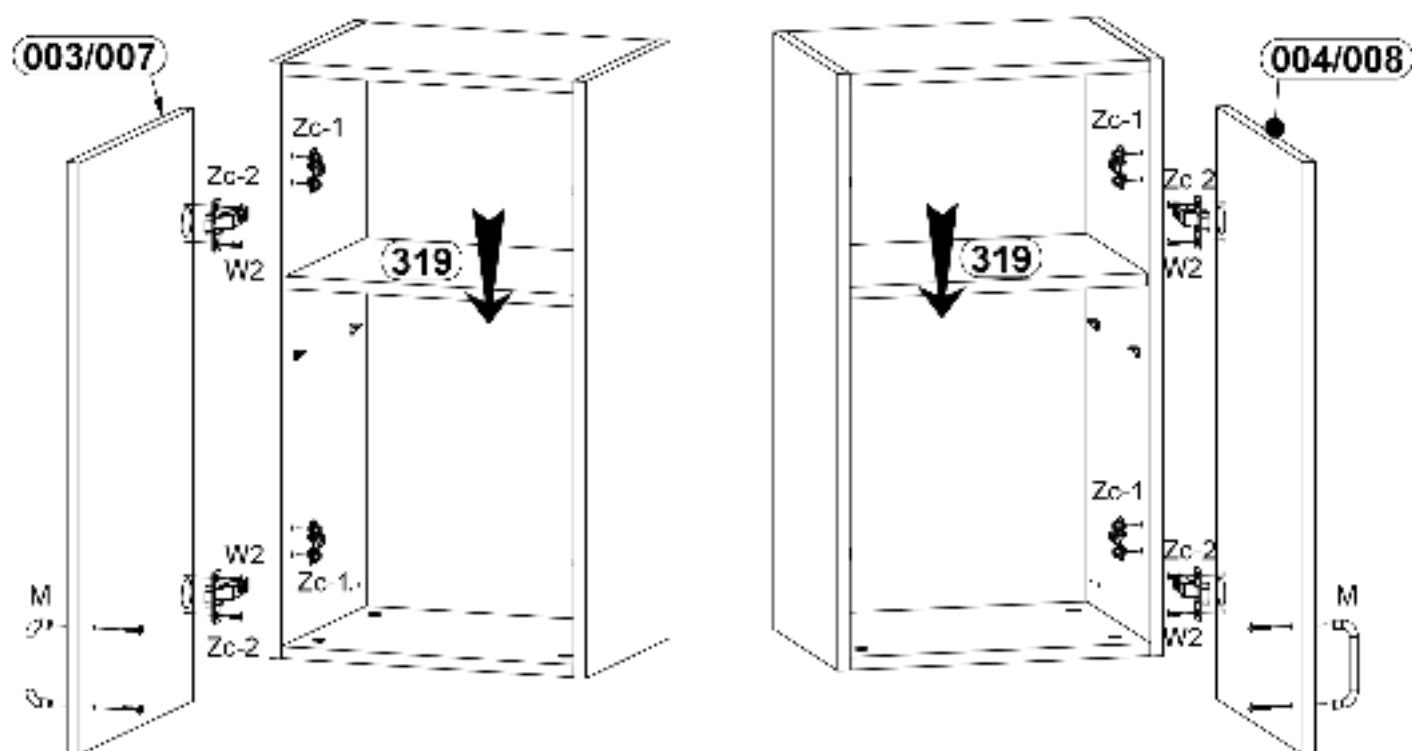


# 4

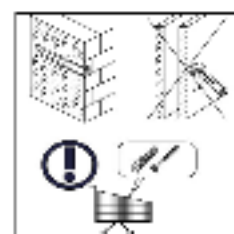
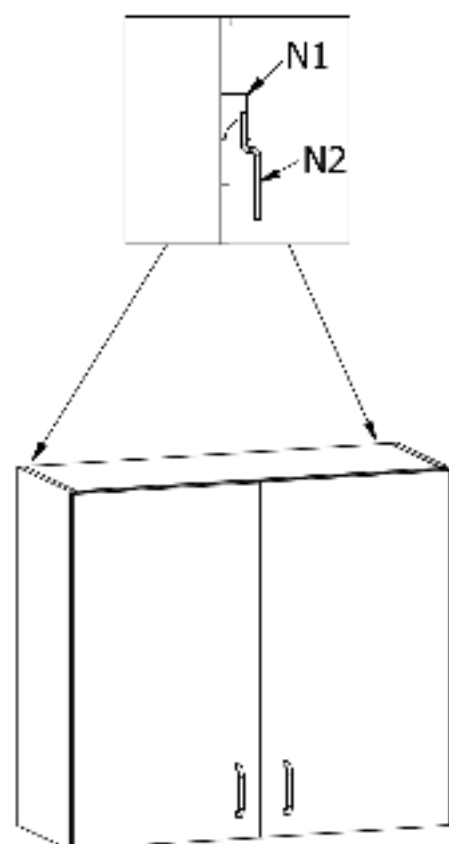


A=B

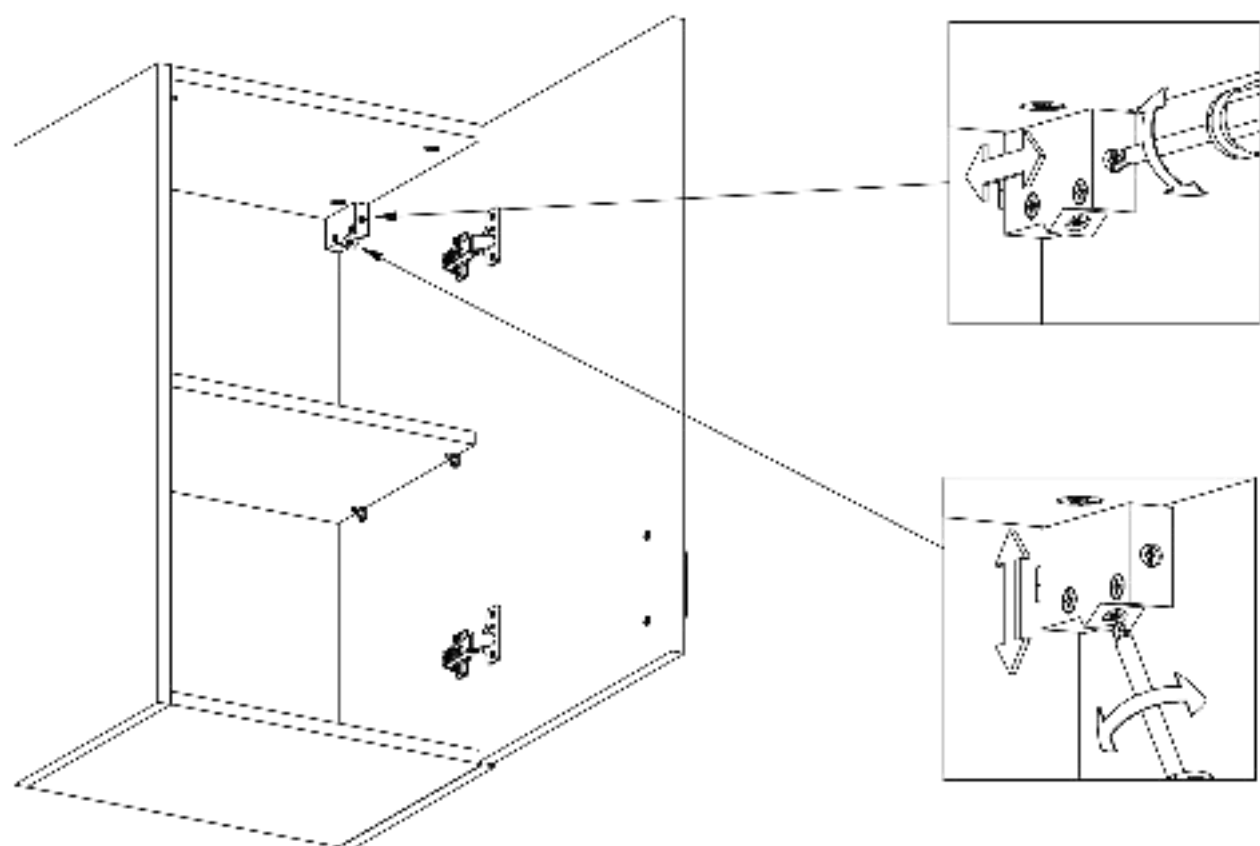
# 5



# 6



7



8

