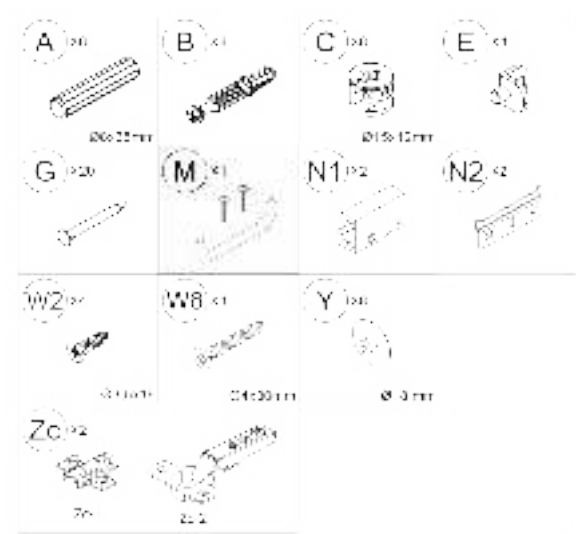
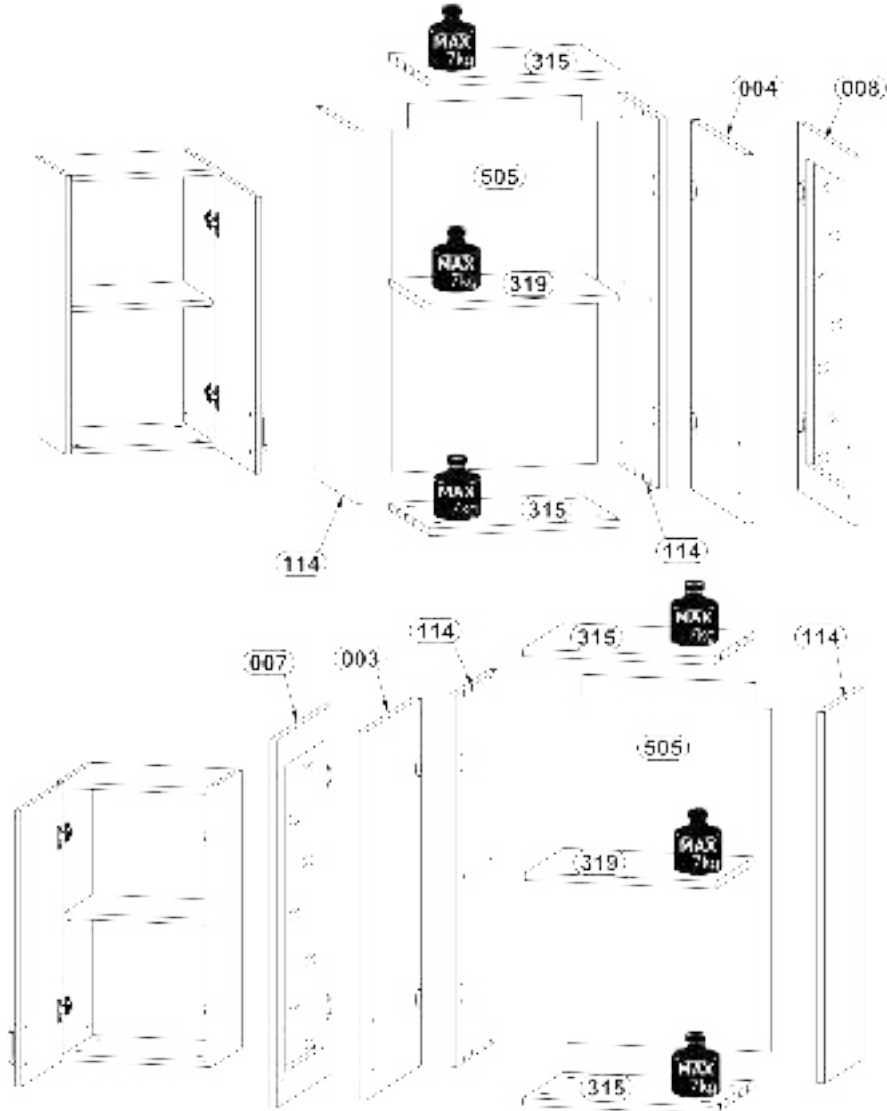
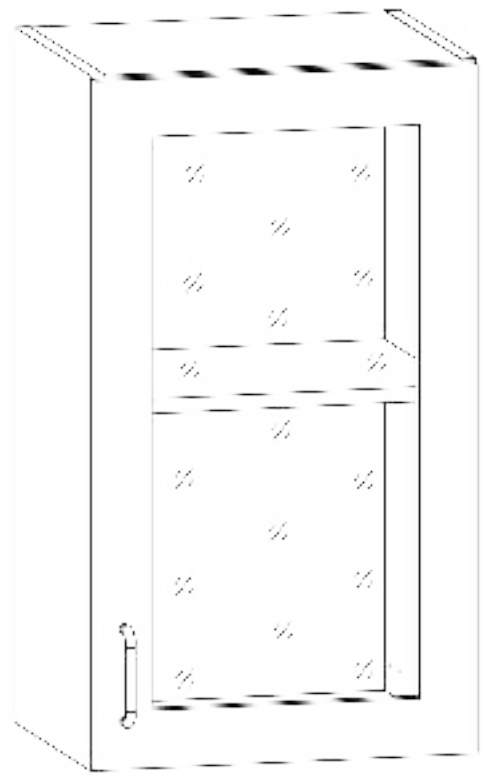
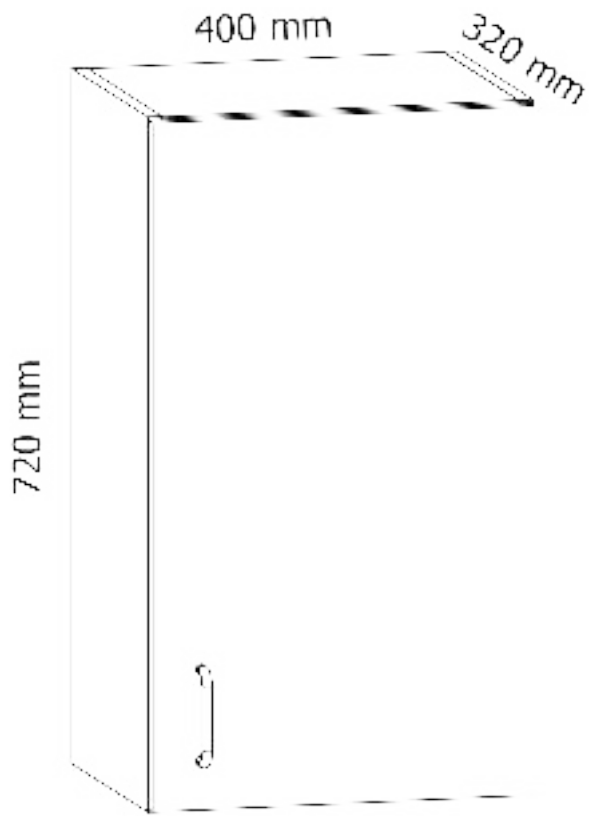
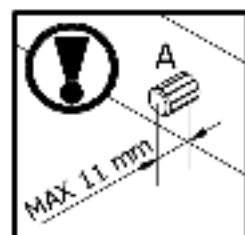
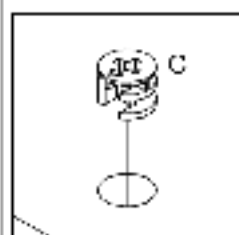
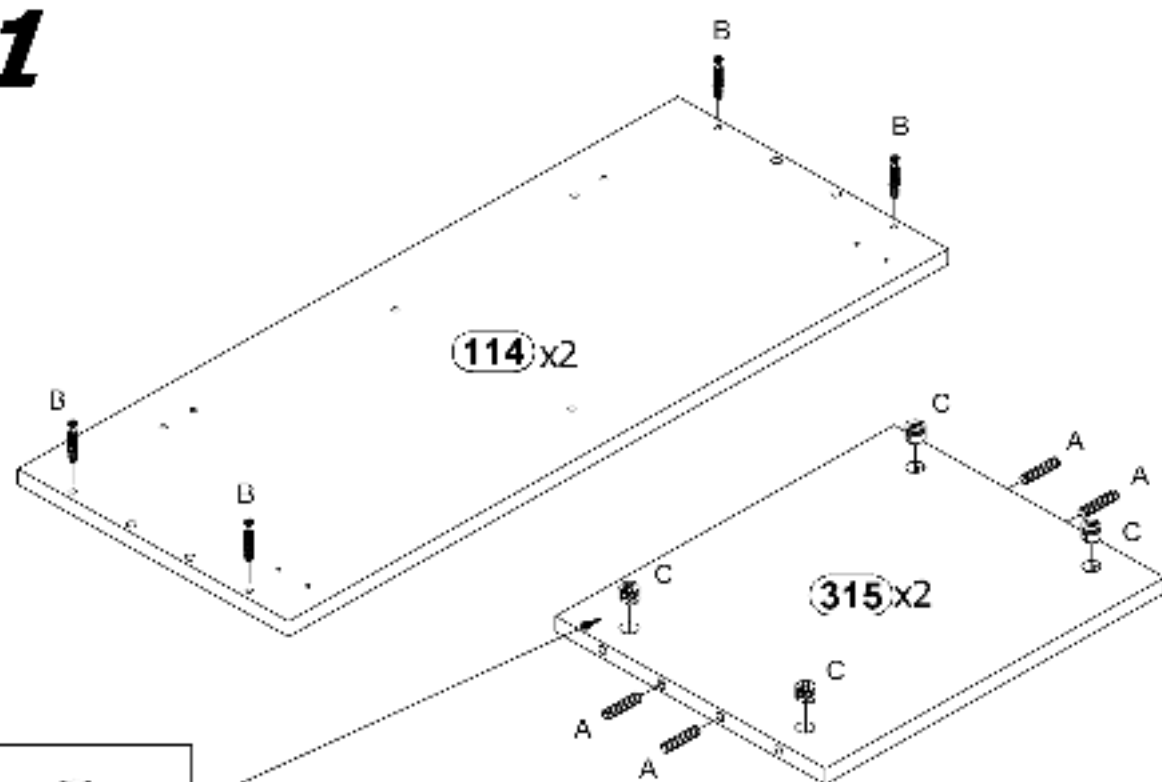
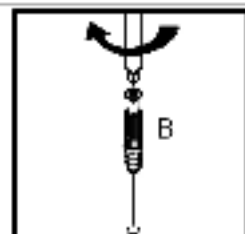


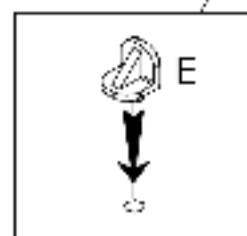
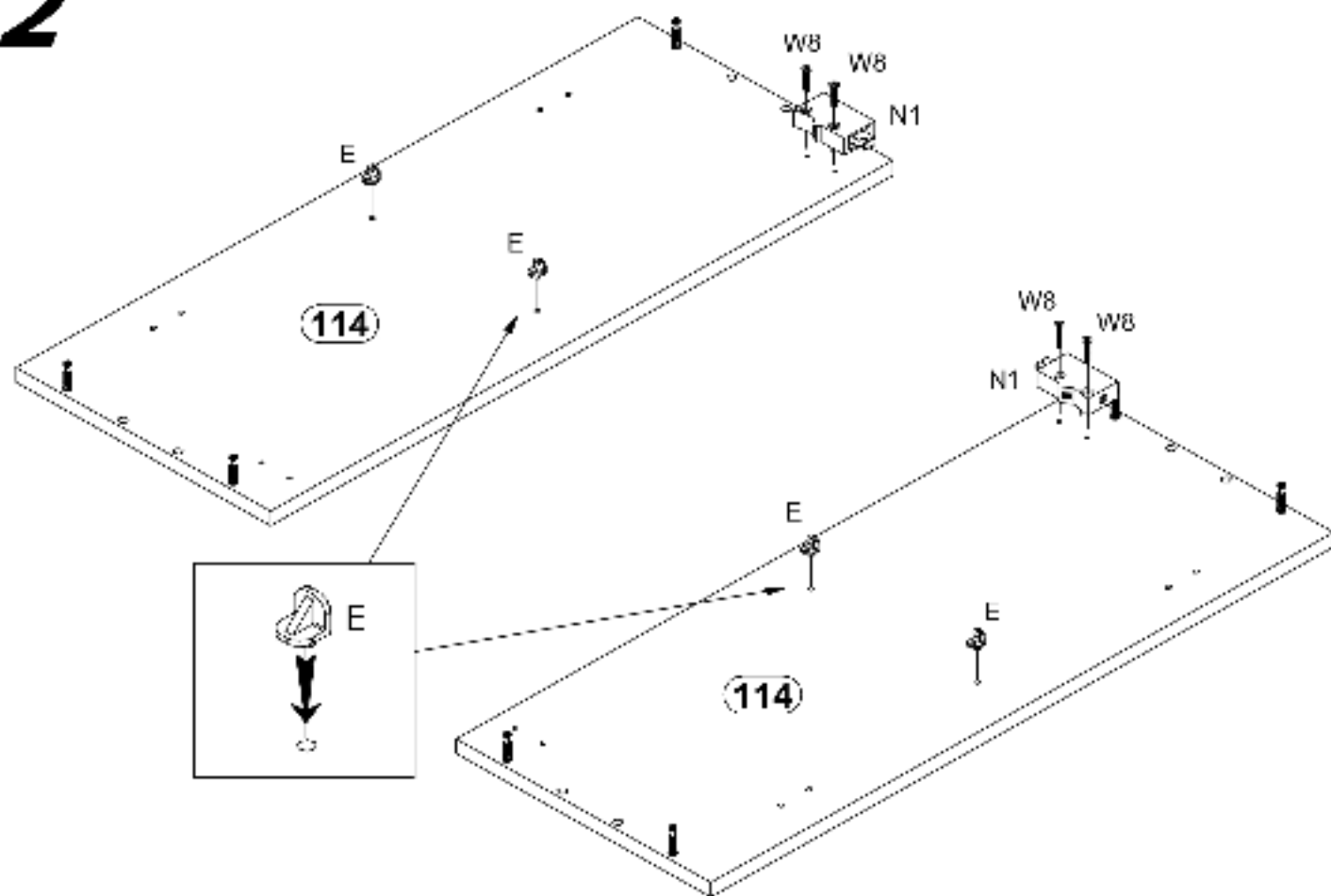
G40 / G40S



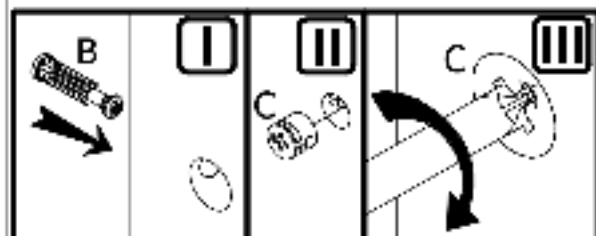
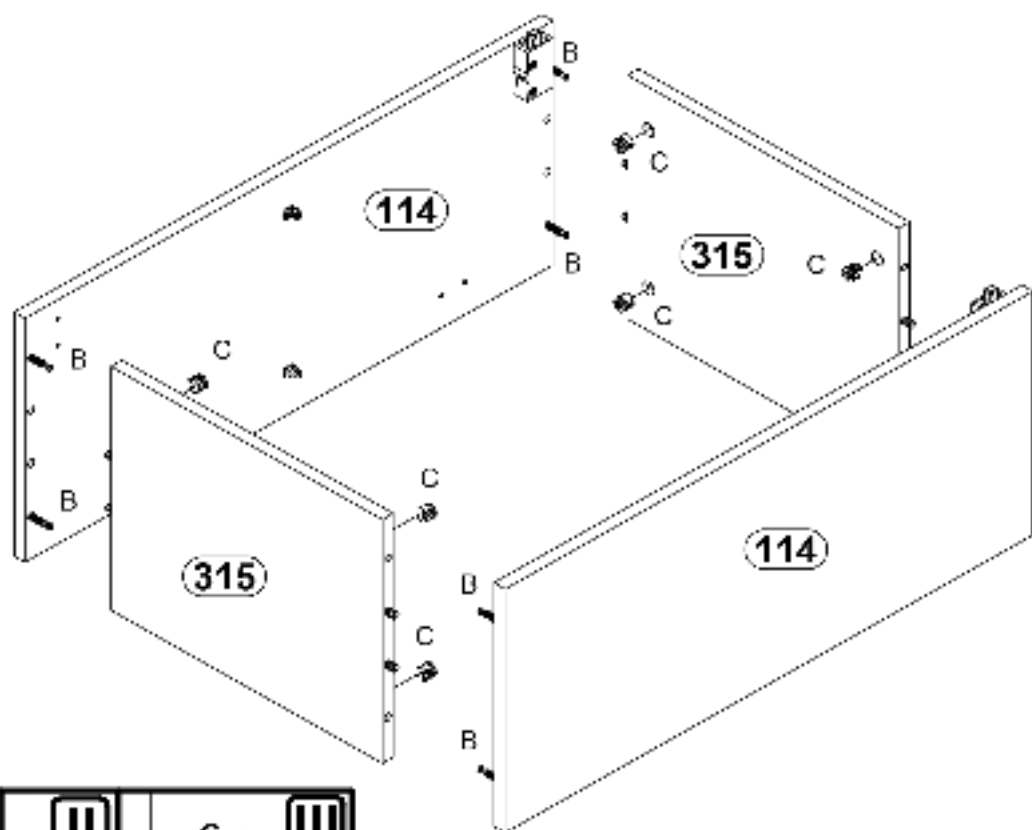
1



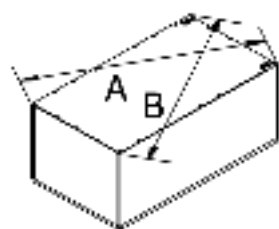
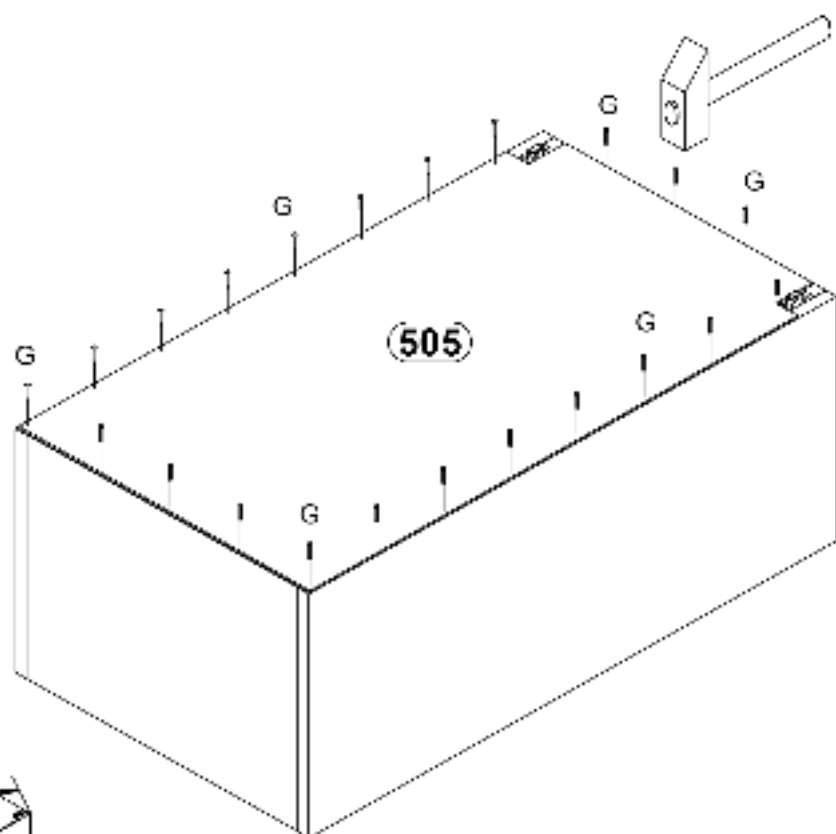
2



3

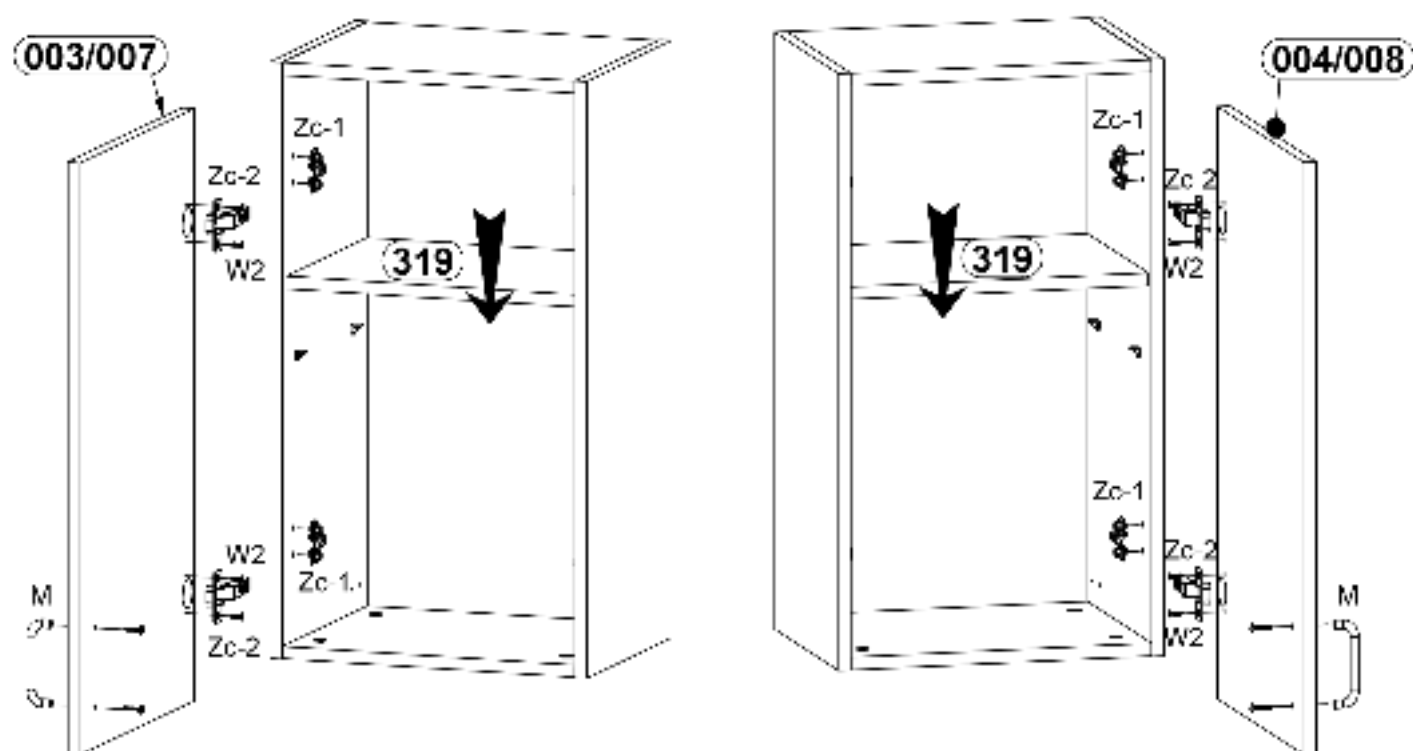


4

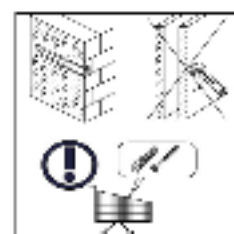
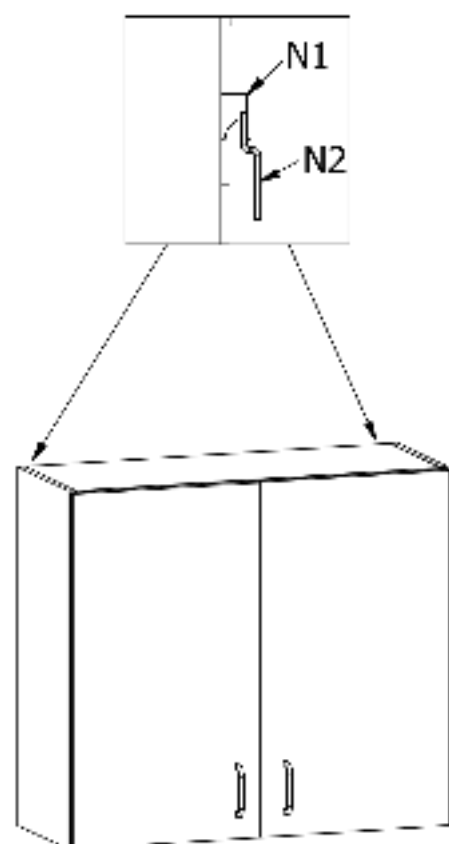


A=B

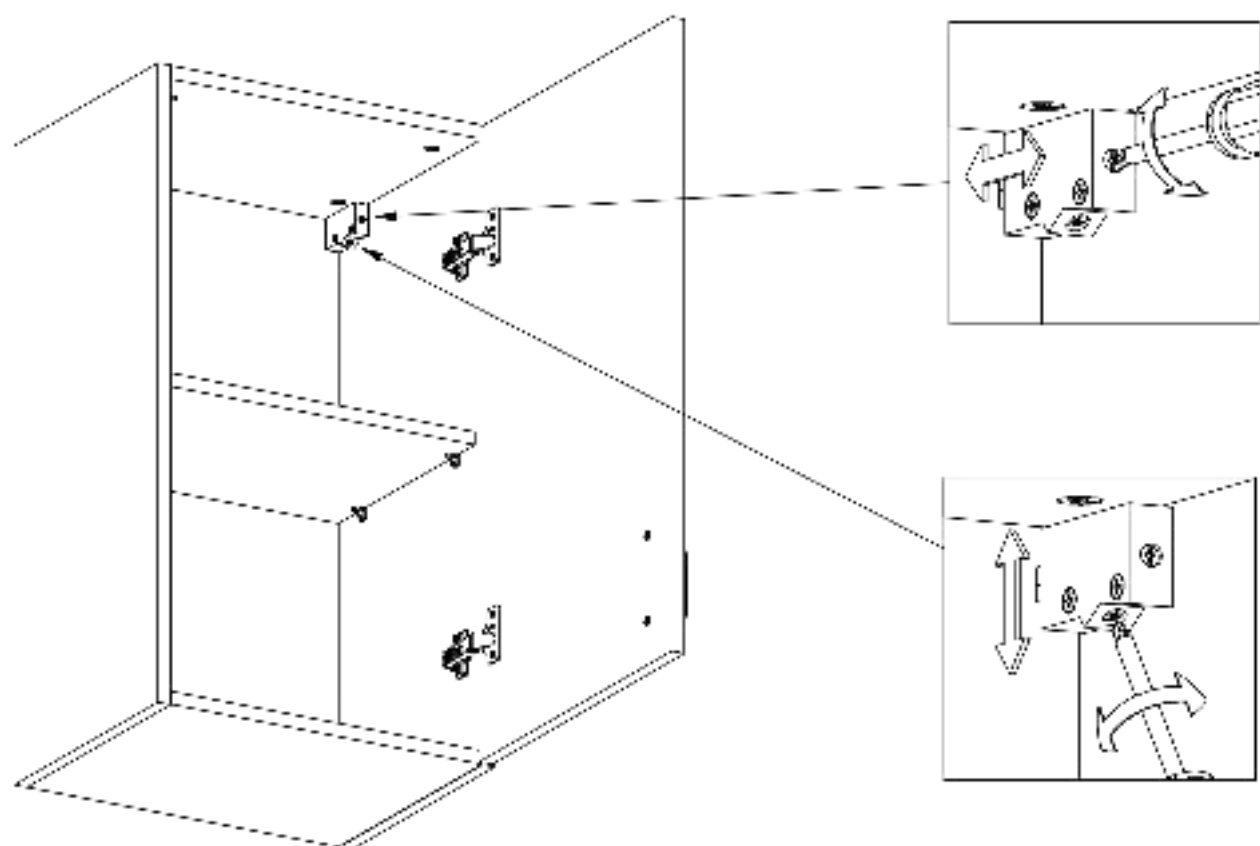
5



6



7



8

