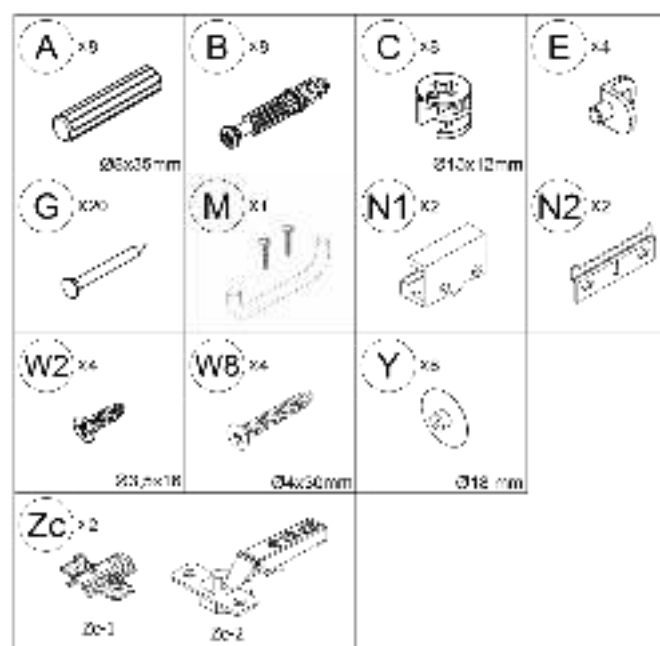
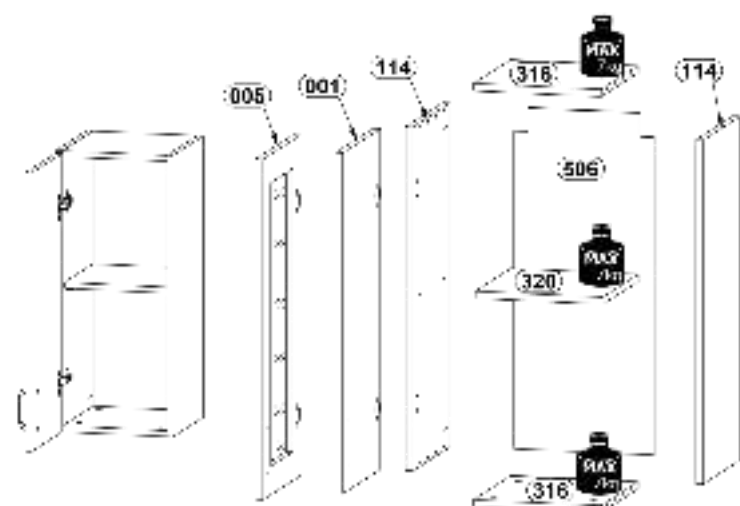
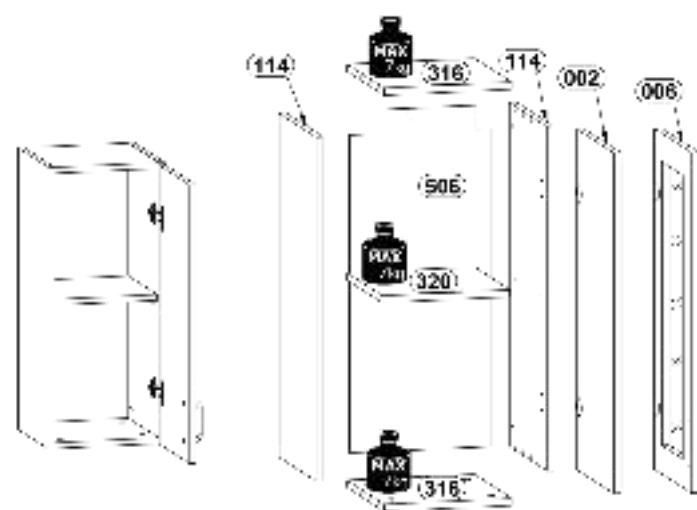
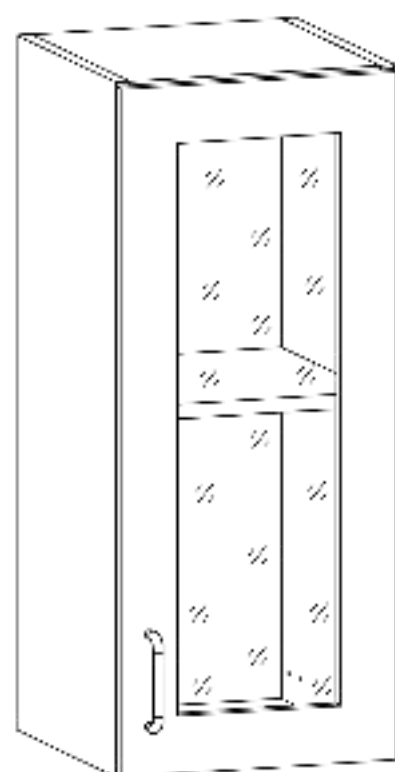
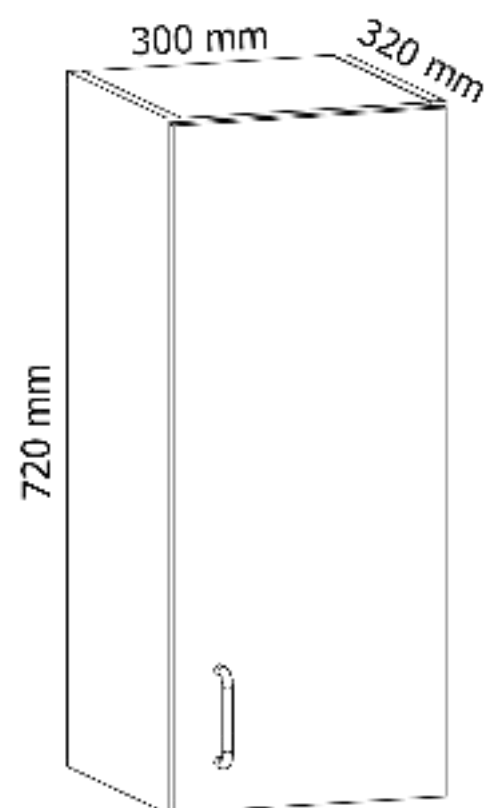
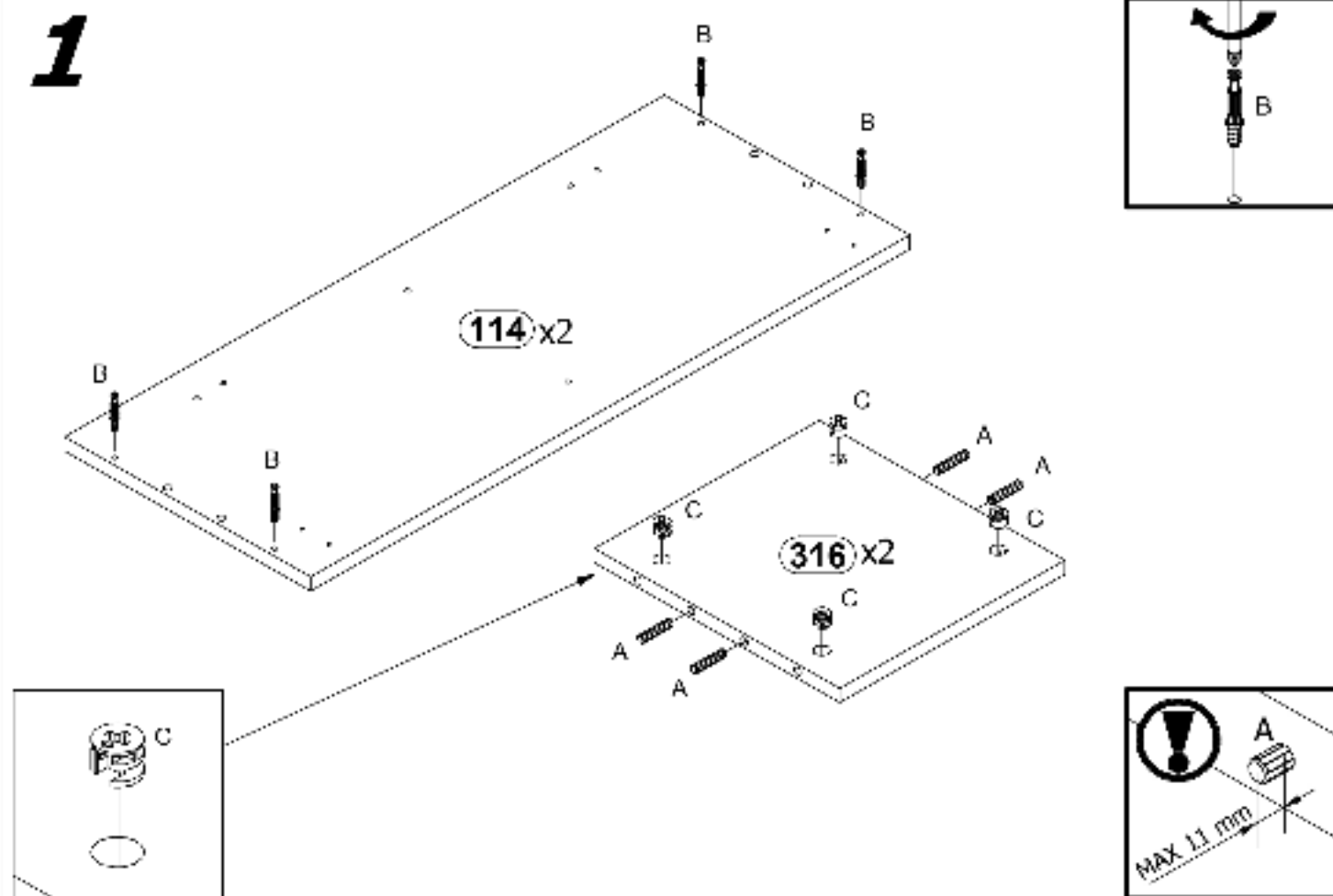
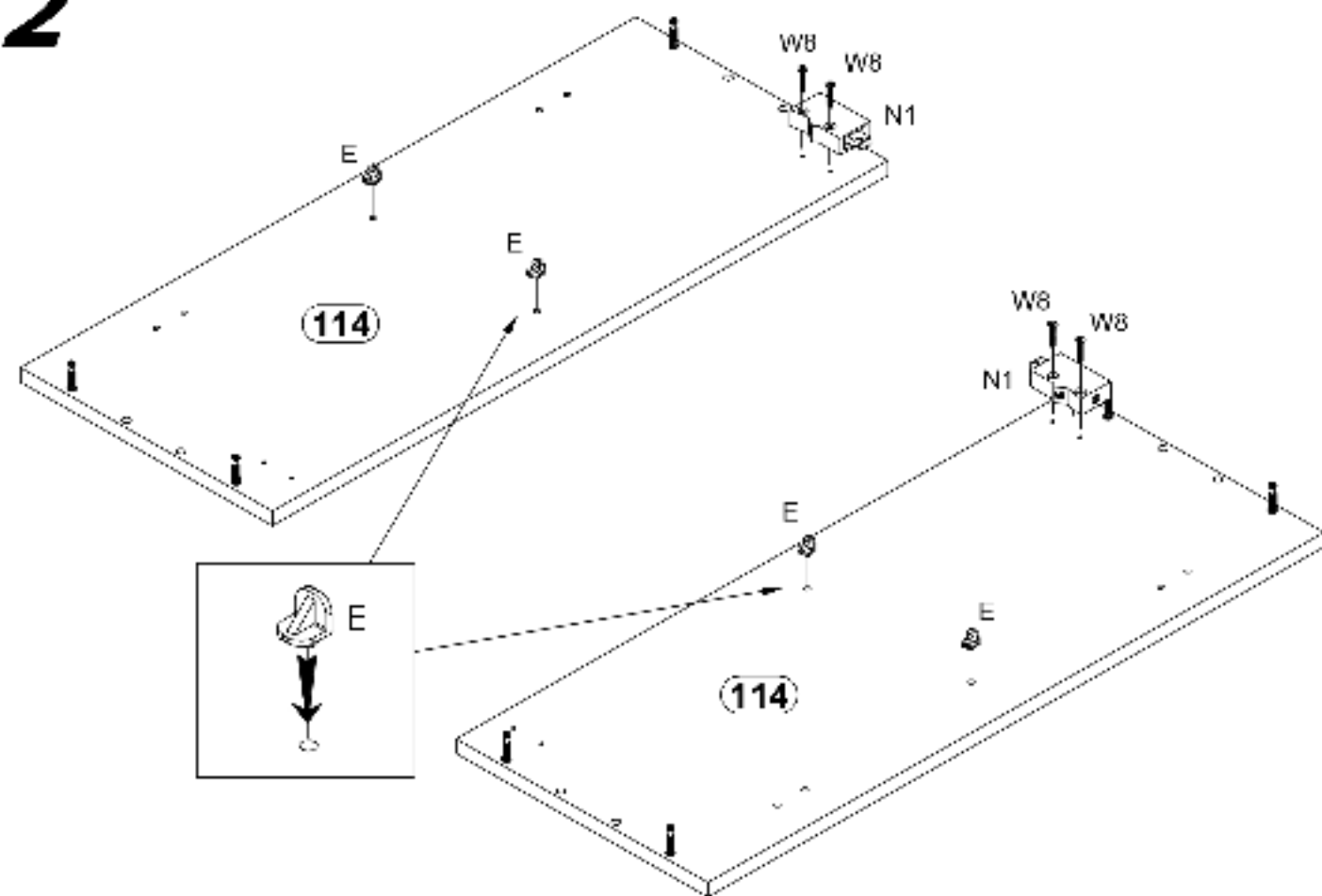
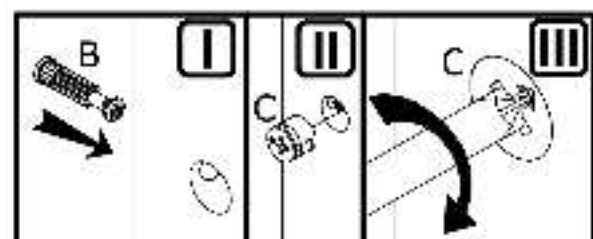
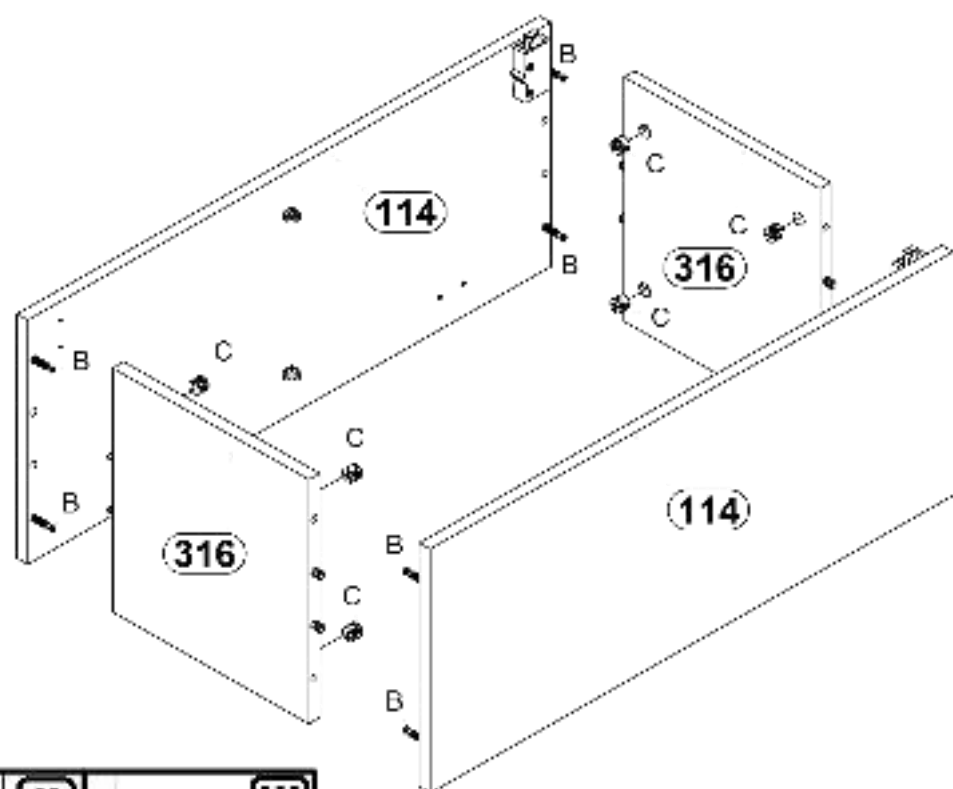


G30 / G30S

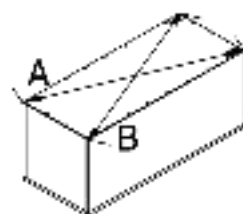
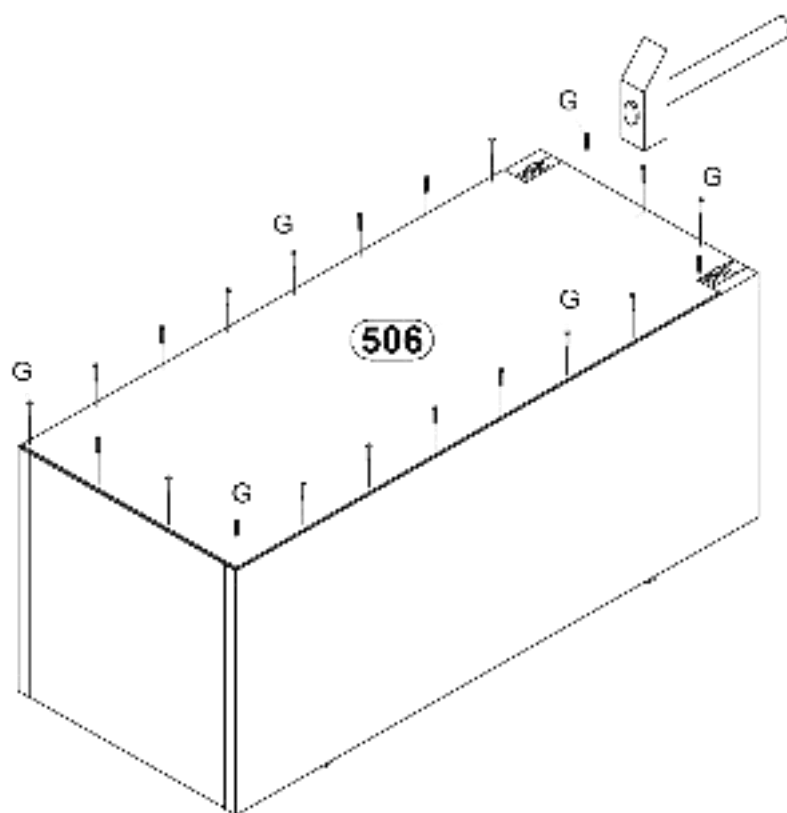


1**2**

3

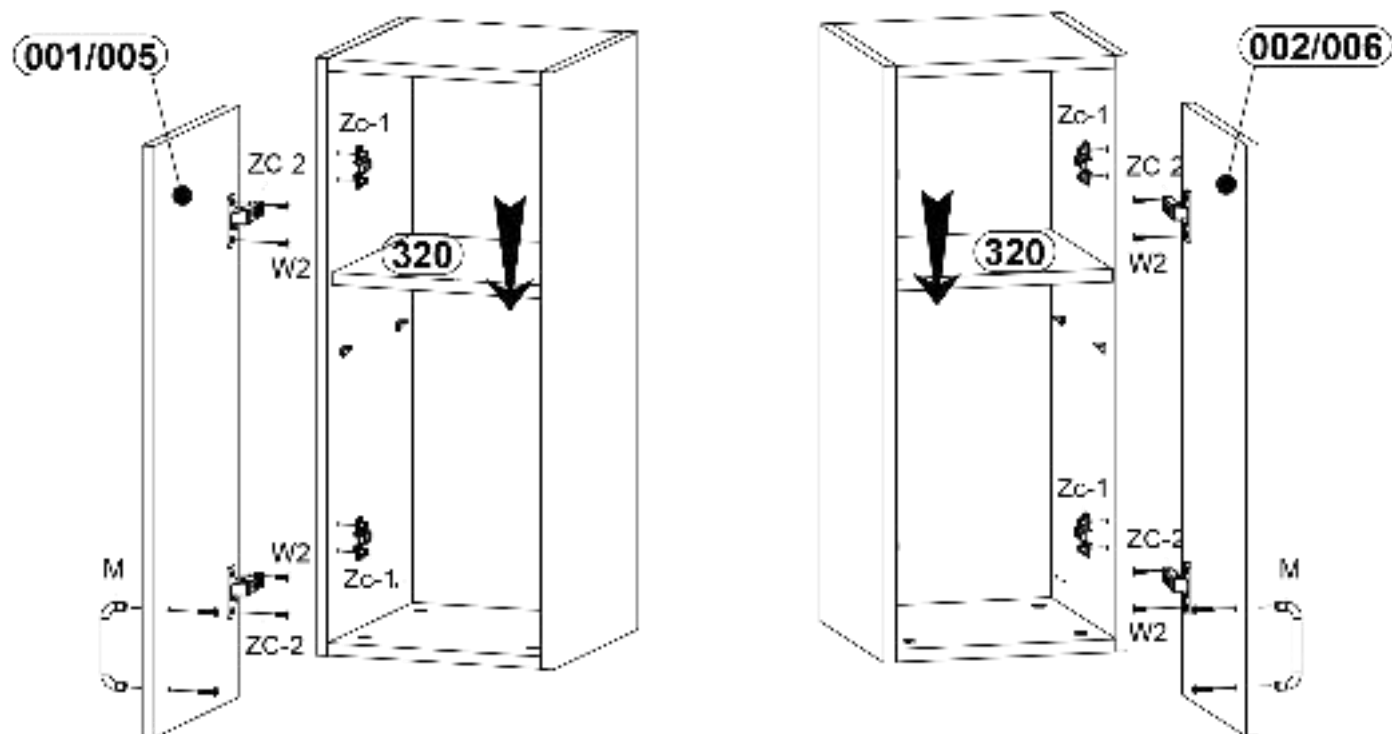


4

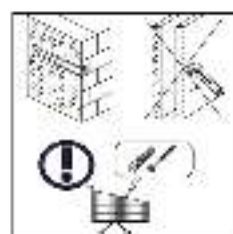
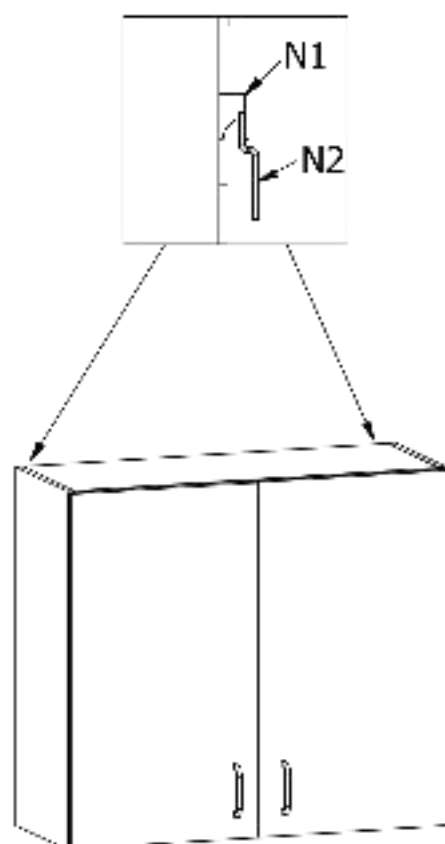


A=B

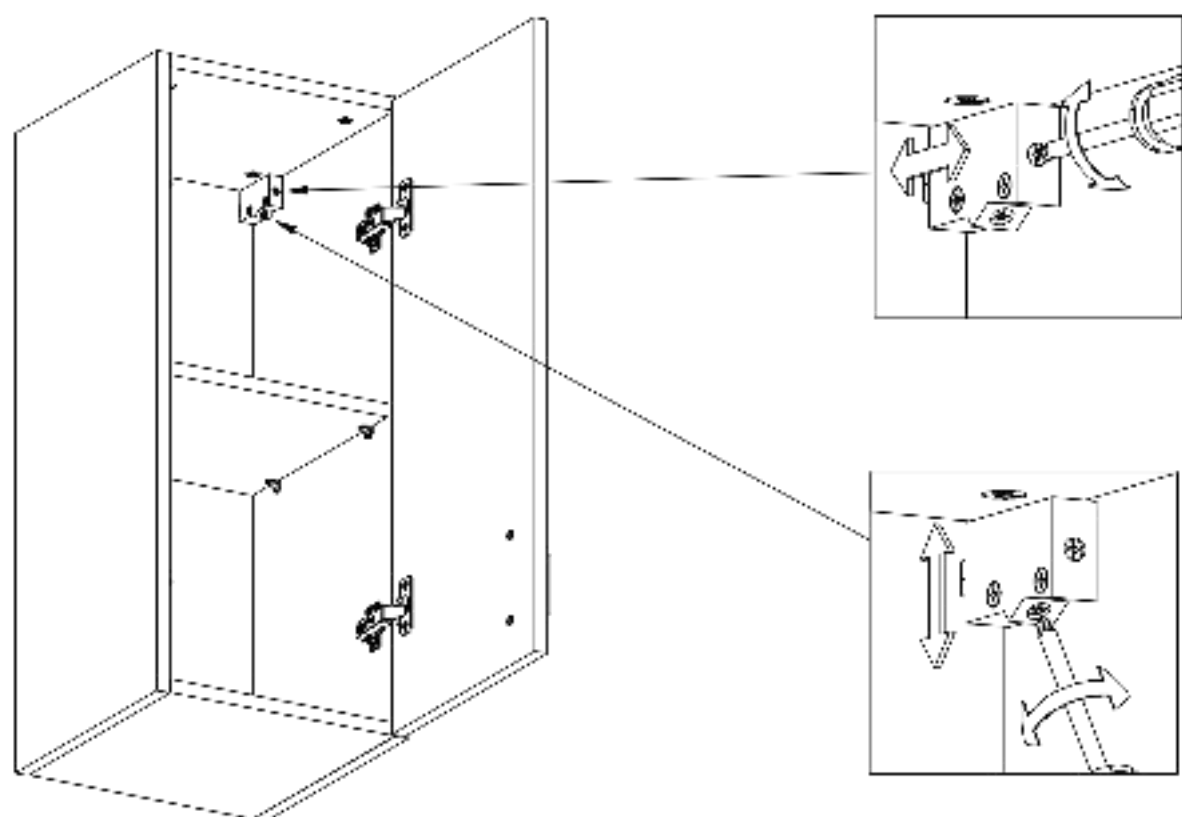
5



6



7



8

