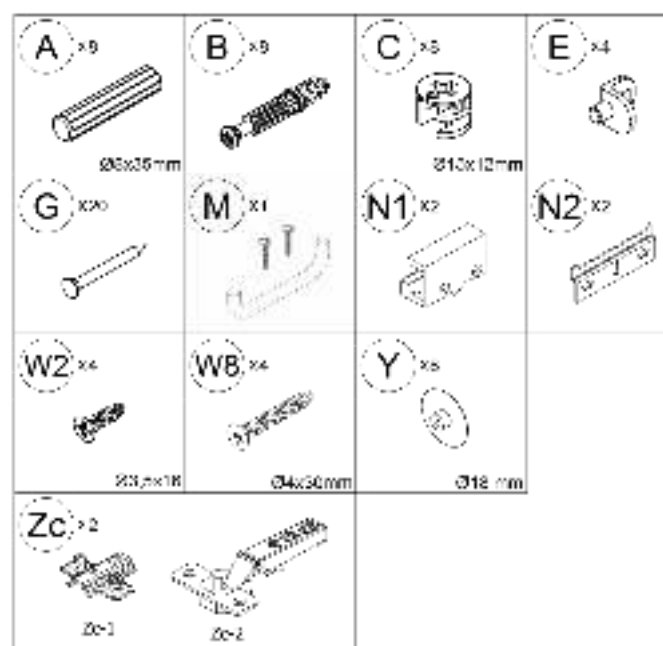
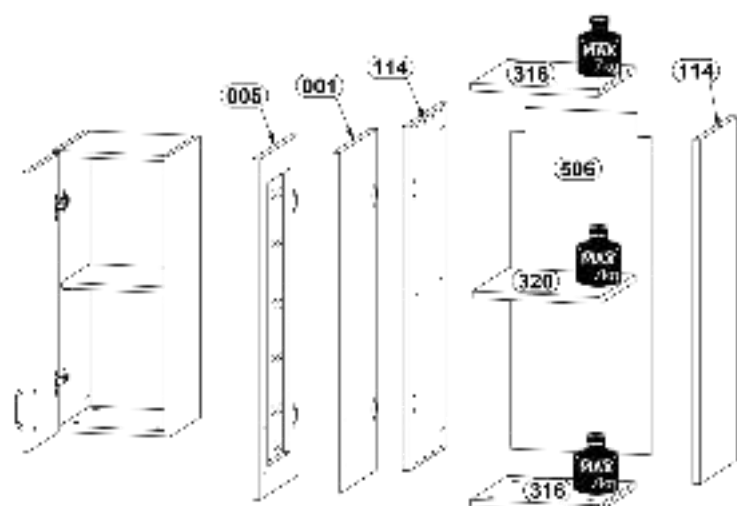
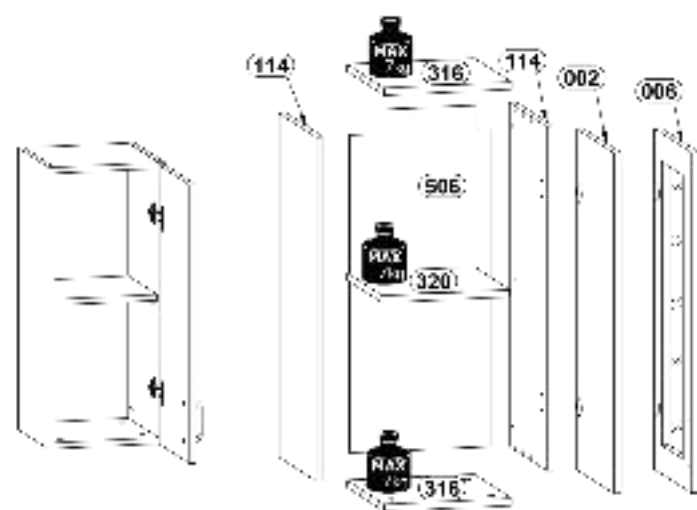
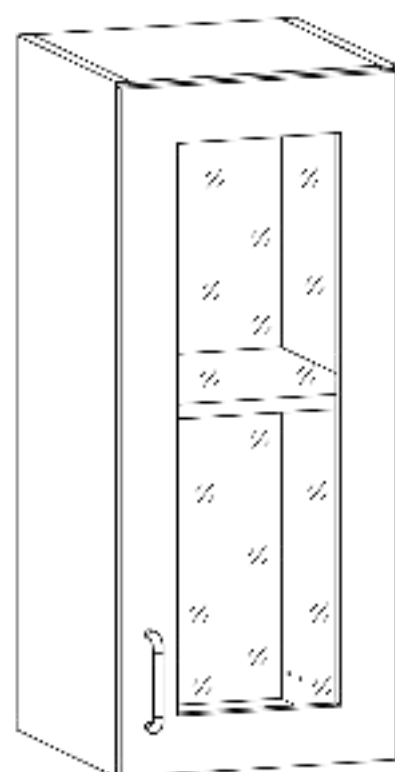
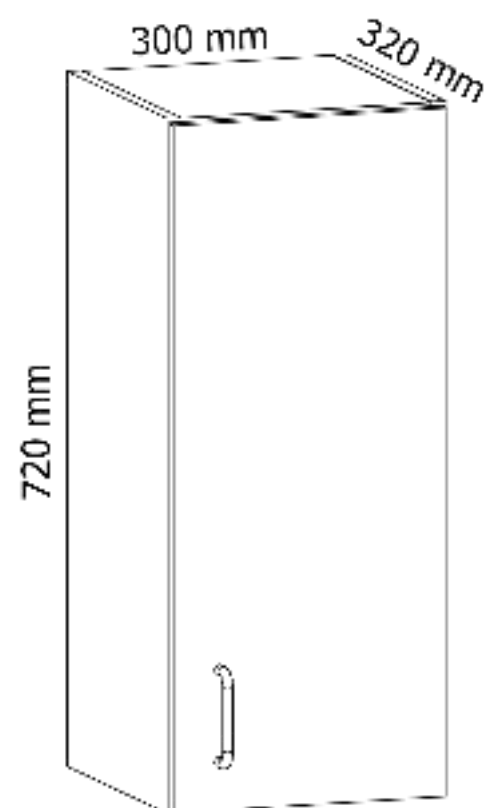
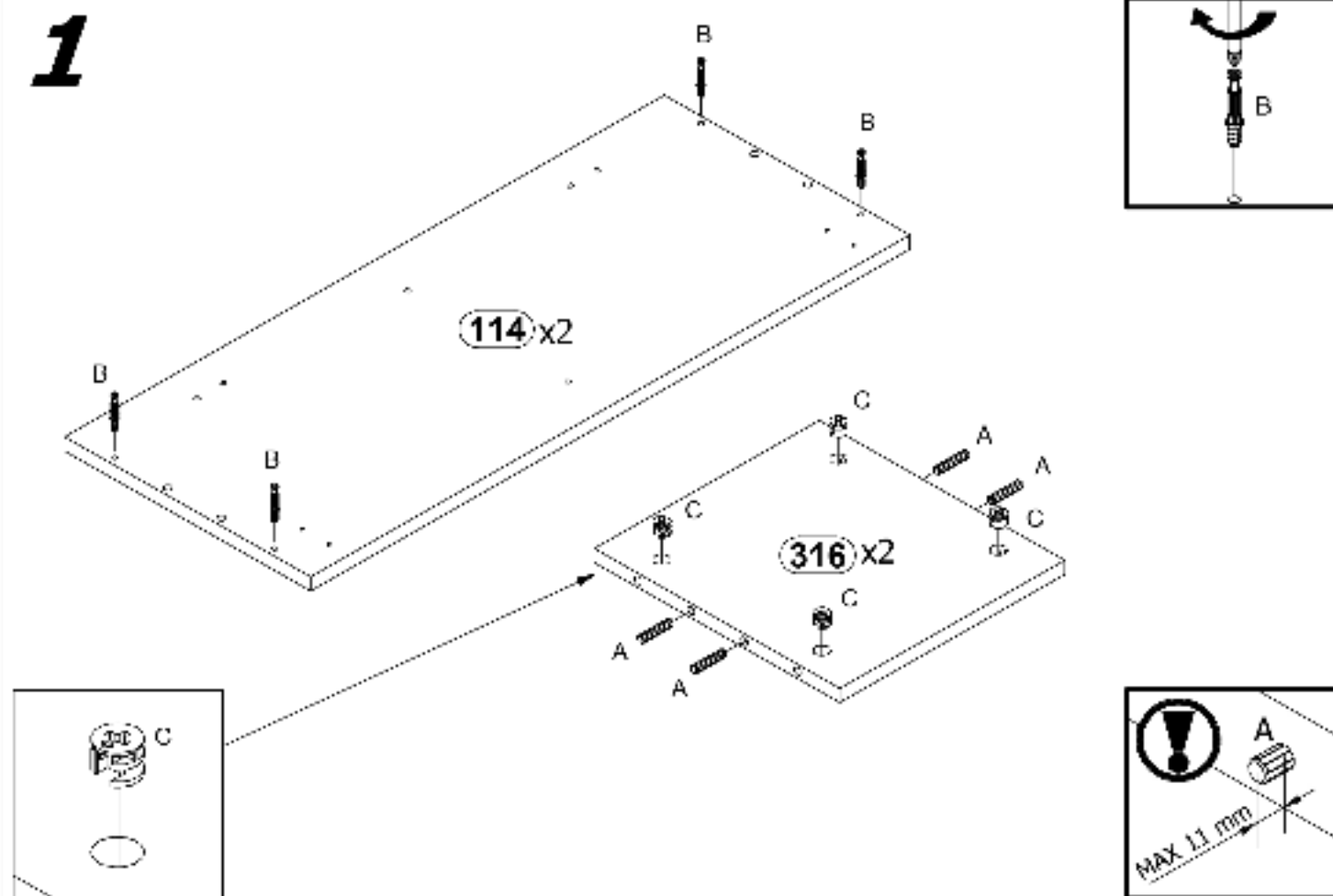
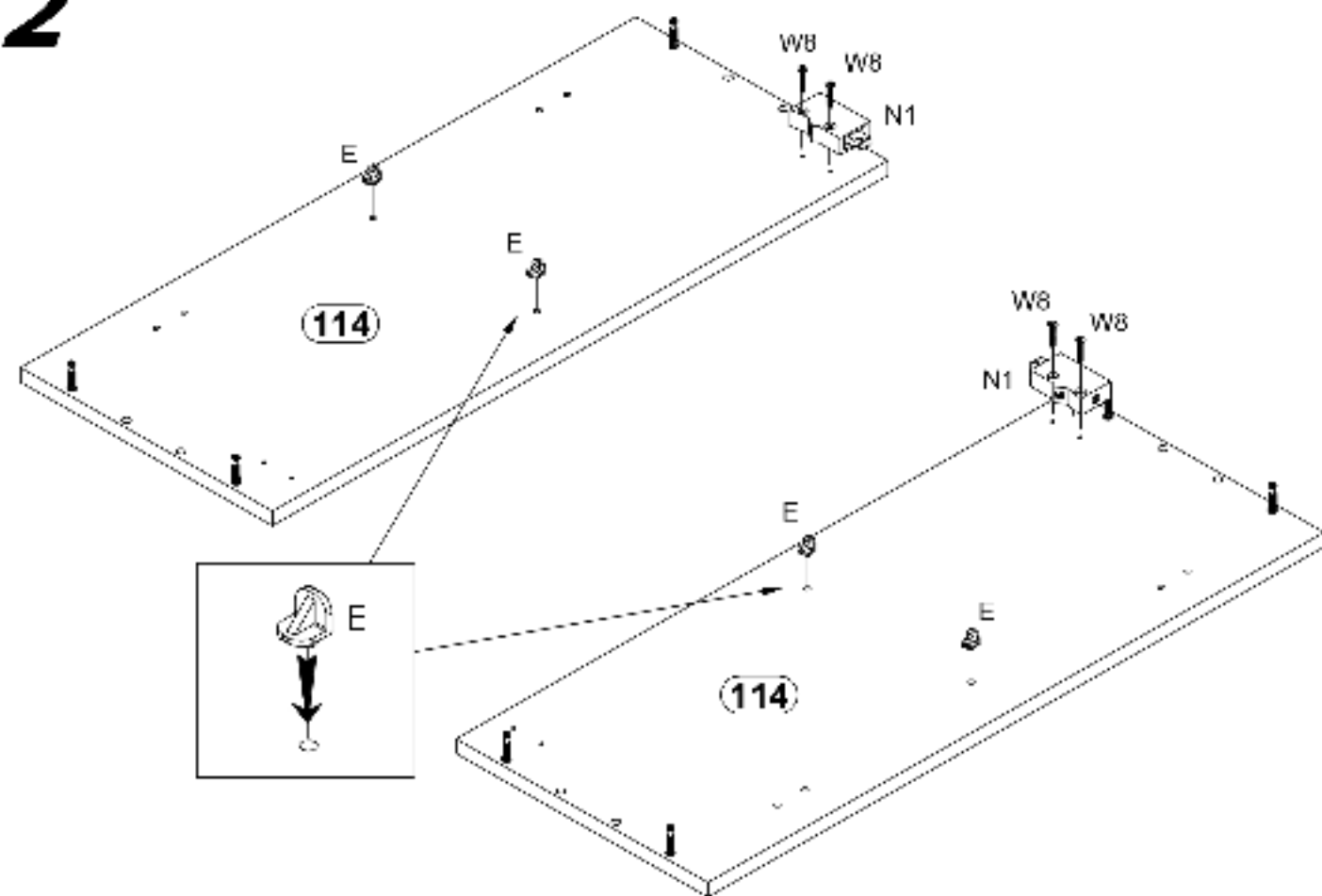
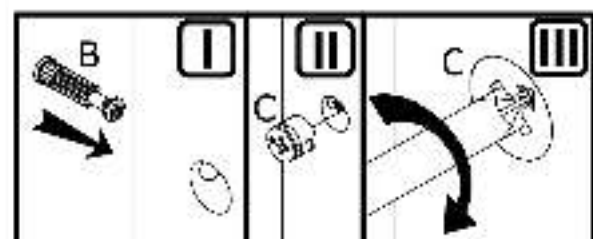
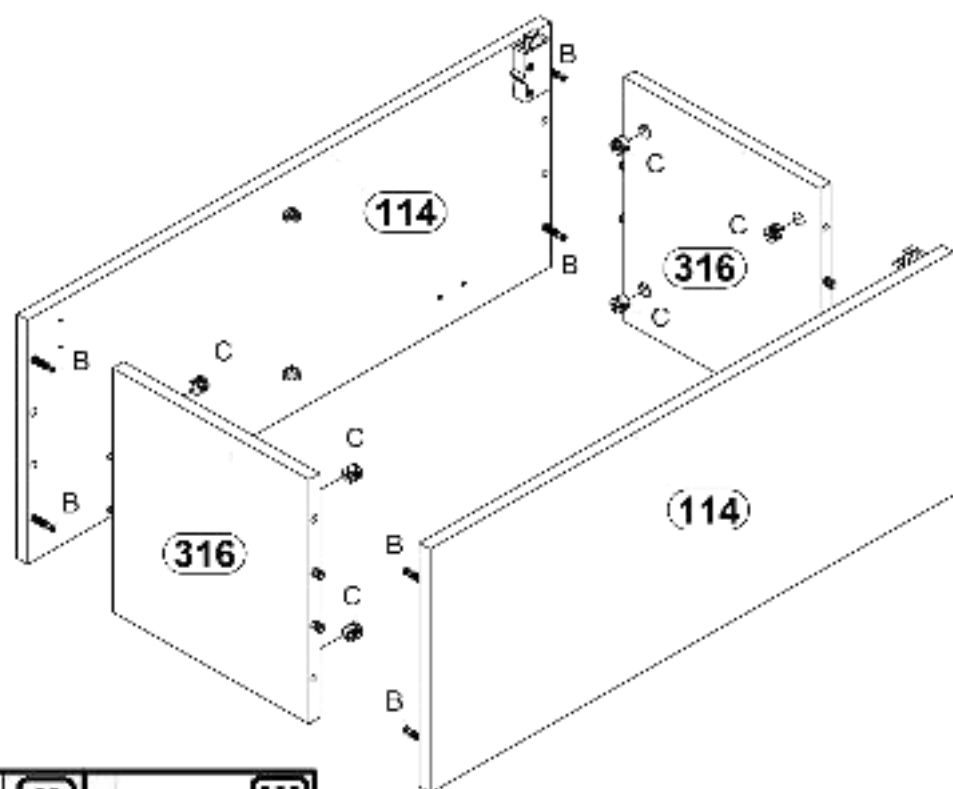


# G30 / G30S

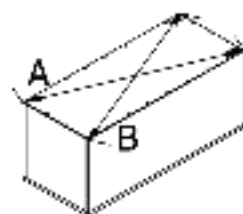
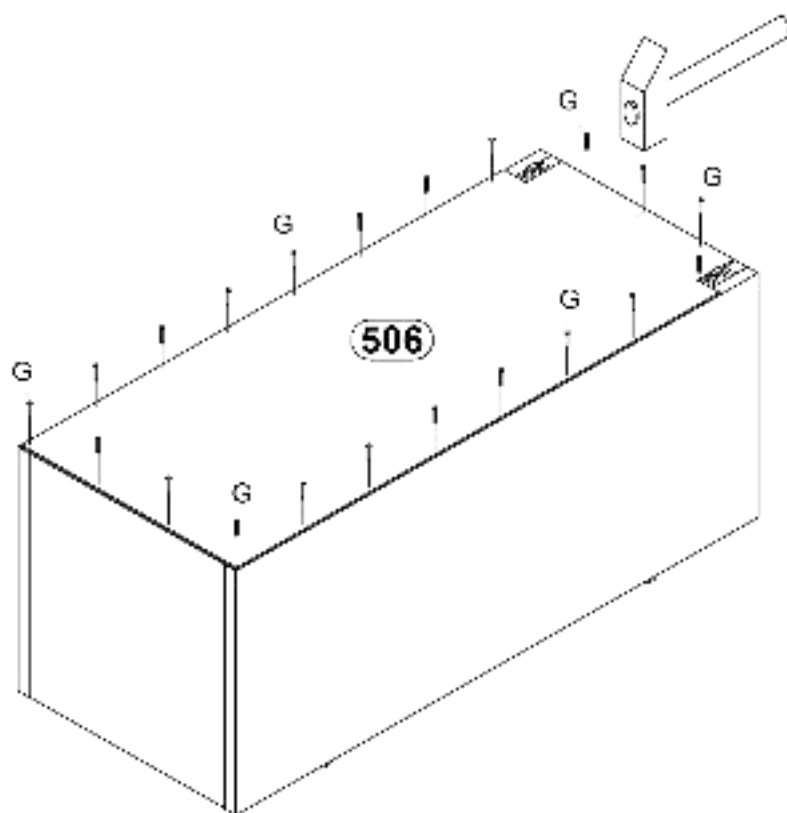


**1****2**

# 3

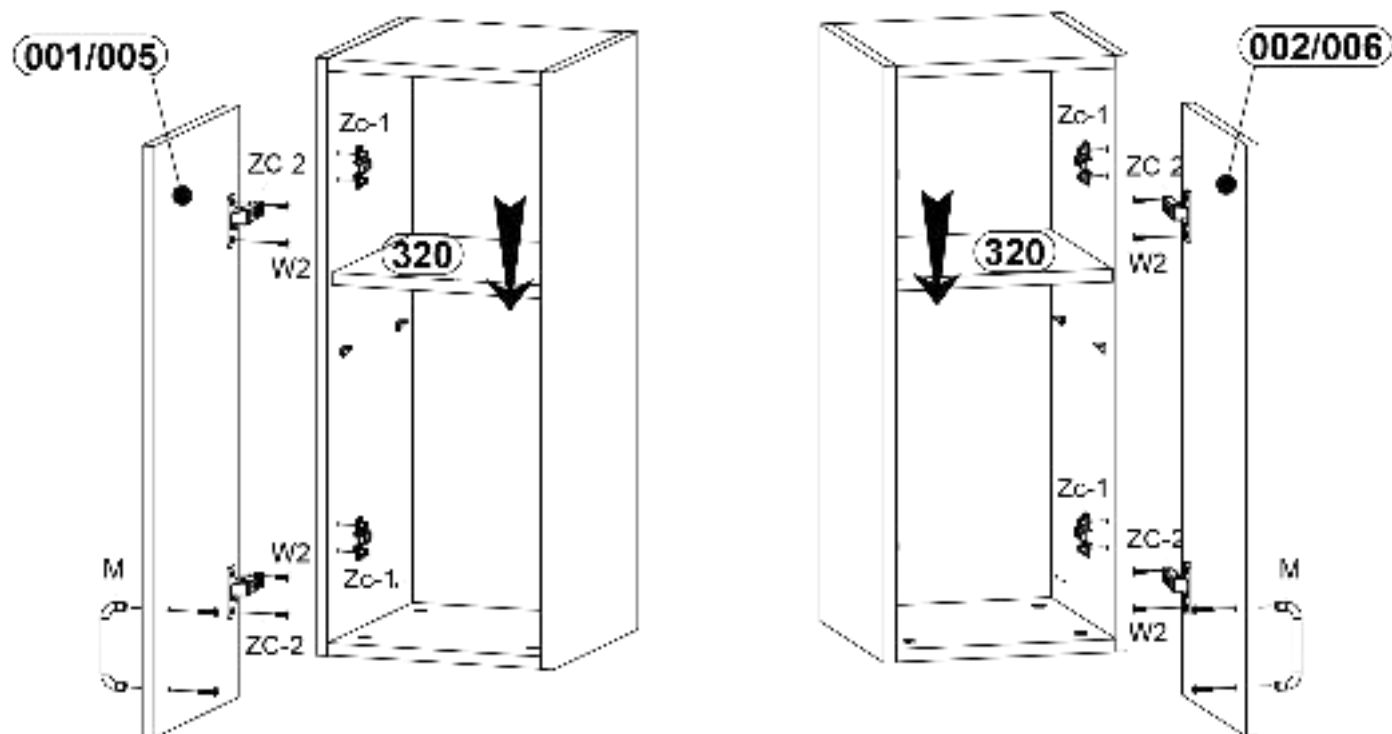


# 4

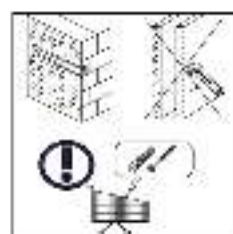
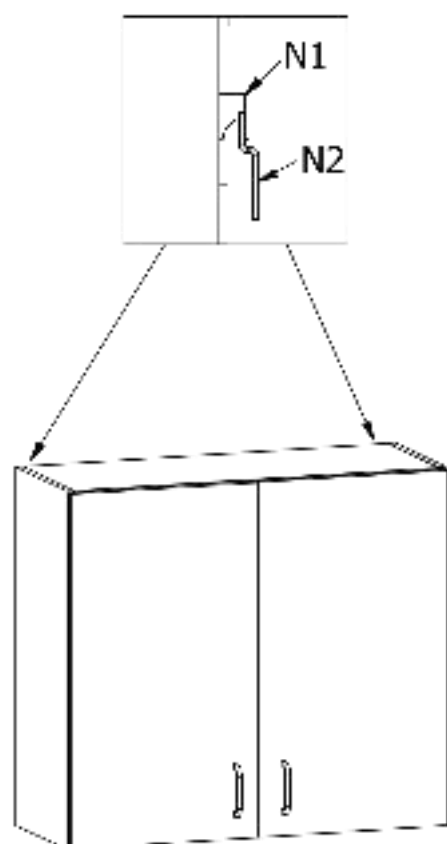


A=B

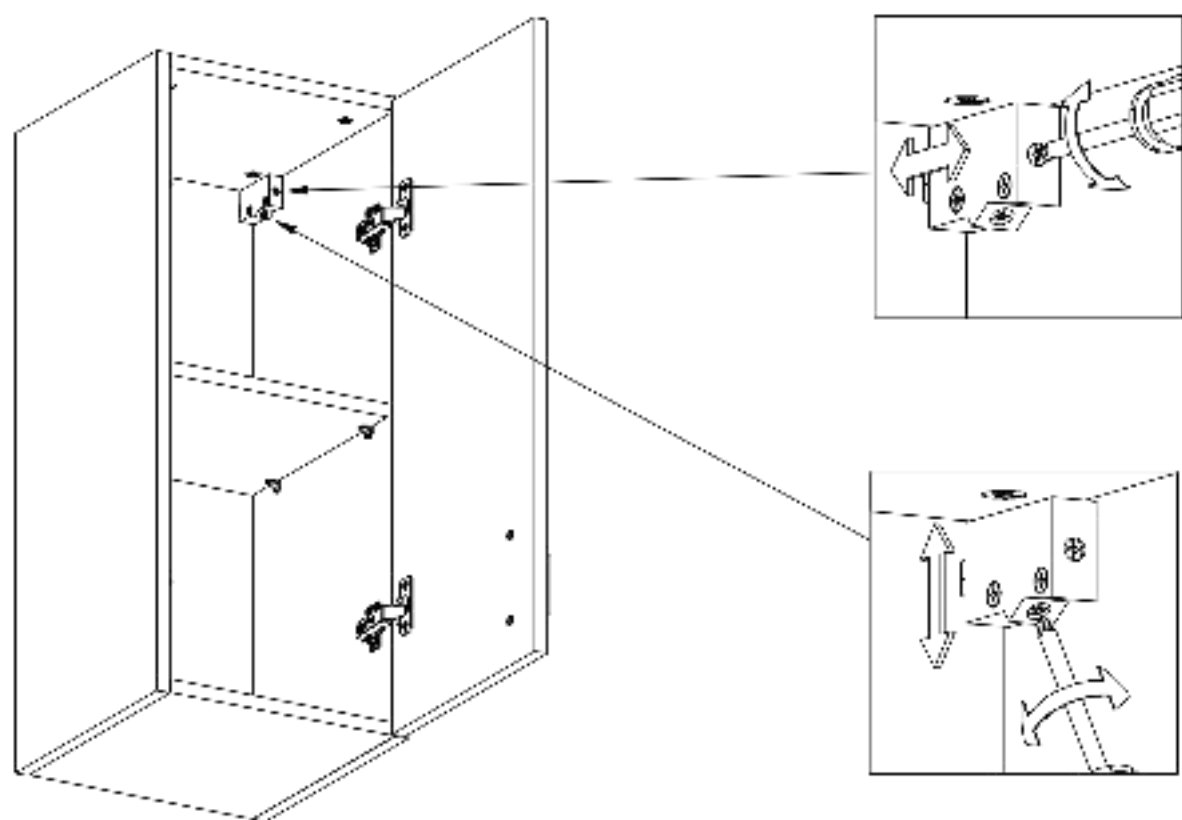
# 5



# 6



7



8

