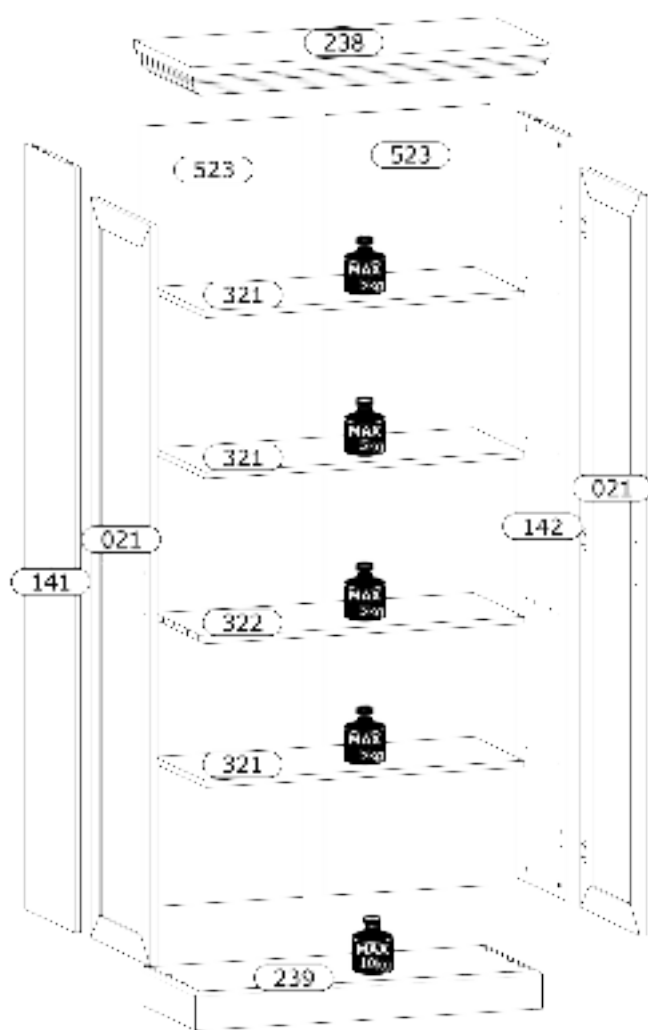
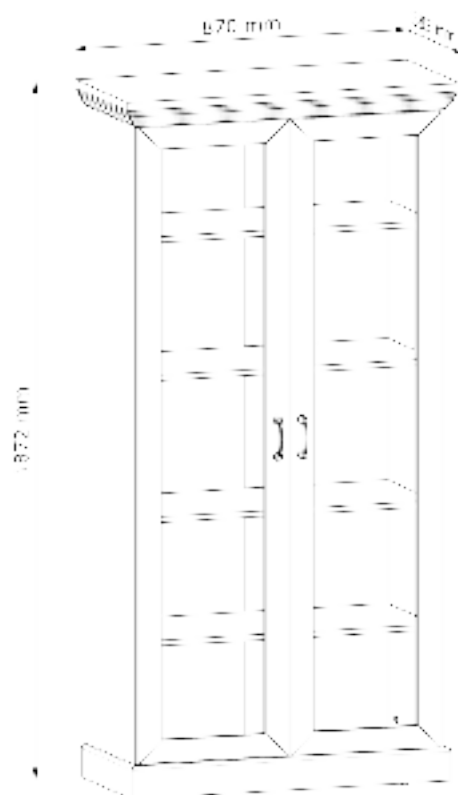


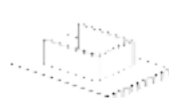
Royal

WS

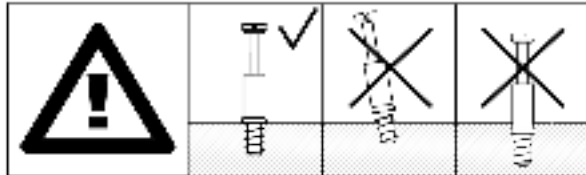
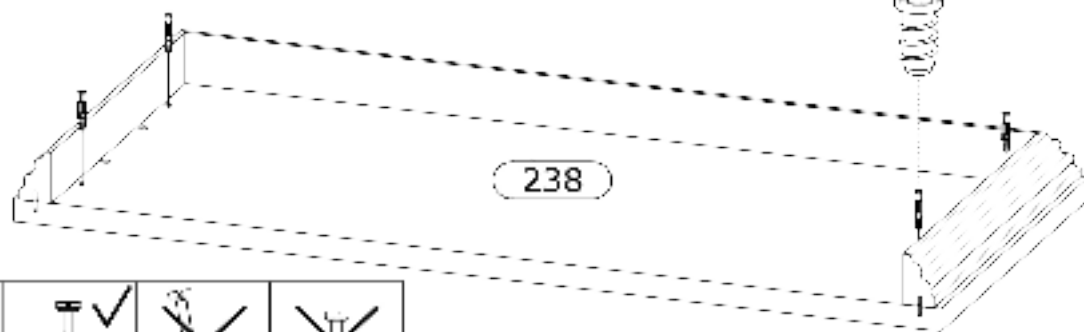
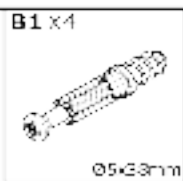


A1 x 12 6.5x35 mm	B1 x 12 6.5x35 mm	C1 x 12 6.5x12 mm	E1 x 12 6.5x6 mm	G1 x 48 20 mm
H x 1 1765 mm	J6 x 12 62 mm	T4 x 2 75x28x16 mm	U7 x 2 11&23 mm	W2 x 16 6.5x16 mm
X3 x 1 H x 23 mm	Y1 x 1 28x12 mm	Y5 x 8 H x 60 mm	Z1 x 6 H x 40 mm	Z3 x 6 Z&S, 240

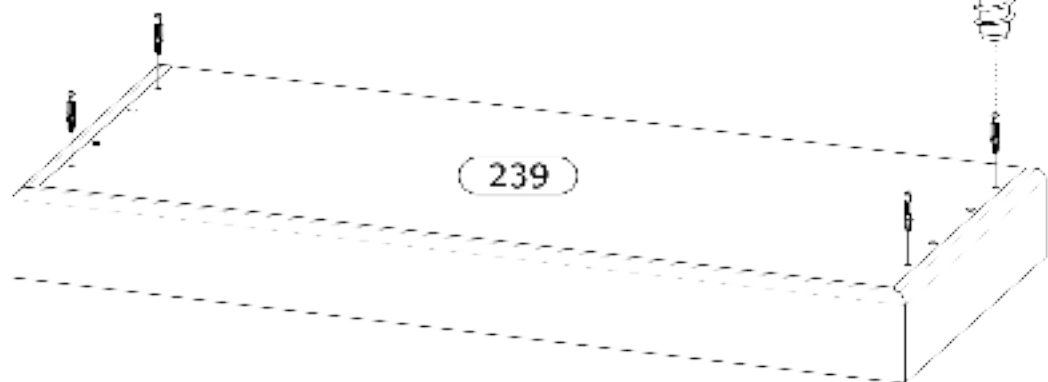
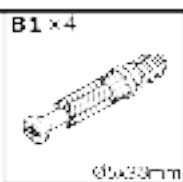
Nr.	L(mm)	W(mm)	H(mm)	PCS	Bis.
021	1702	395	18	2	0:0
111	1760	335	15	1	1:3
112	1760	335	15	1	1:3
238	870	380	73	1	2:3
239	1237	428.5	66	1	2:3
321	770	335	15	3	1:3
322	770	335	15	1	1:3
520	1795	390	2.5	2	1:3



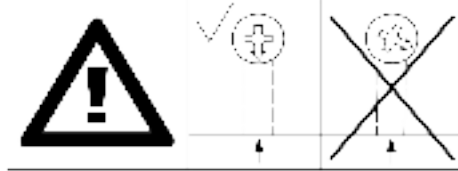
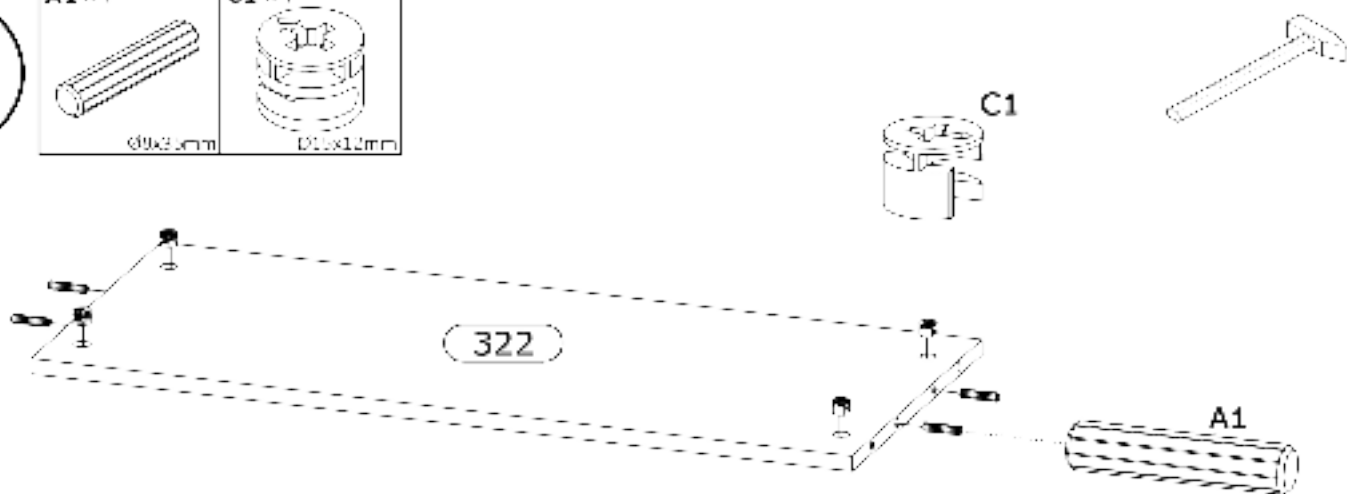
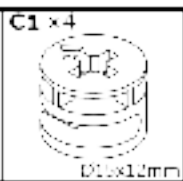
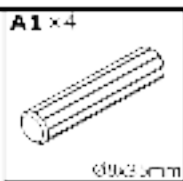
1



2



3



4

A1 x 8



Ø5x35 mm

B1 x 4



Ø5x38 mm

C1 x 8

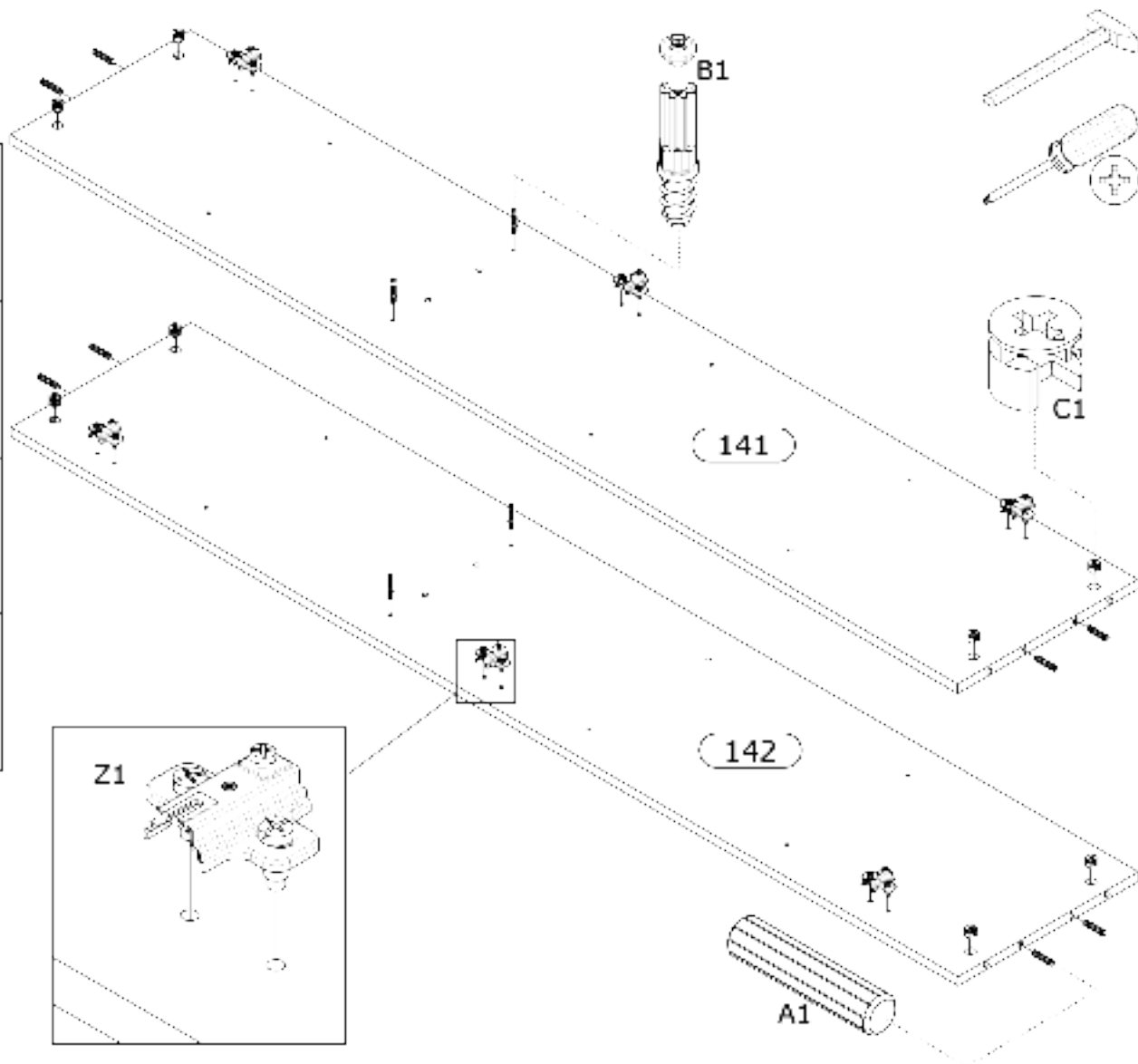


Ø13x13 mm

Z1 x 6



50x40, --2



5

W2 x 17

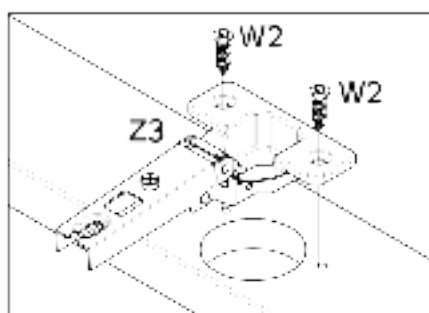
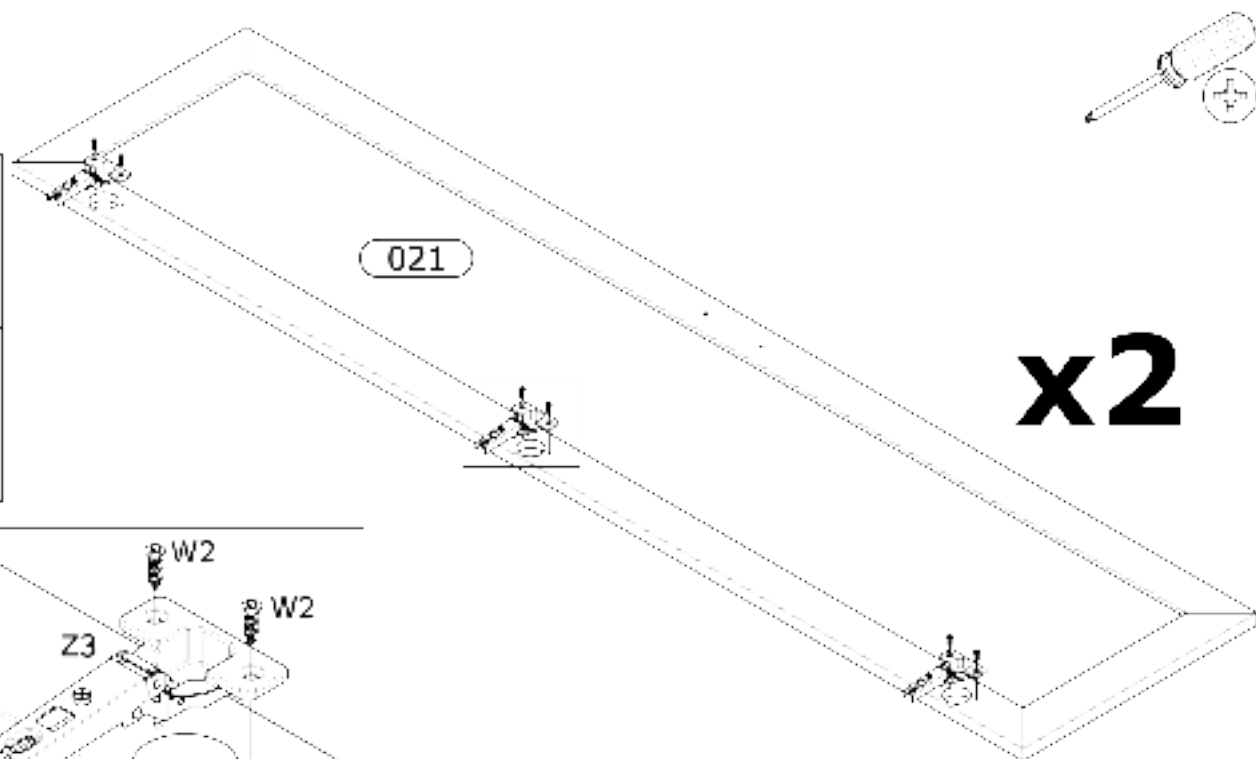


Ø1,6x16 mm

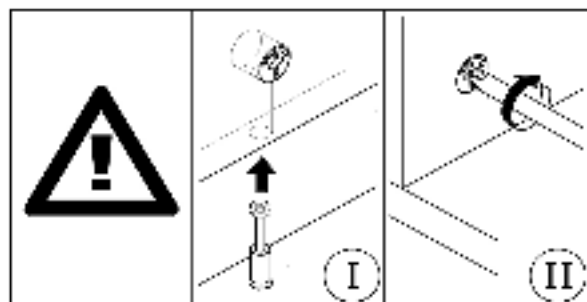
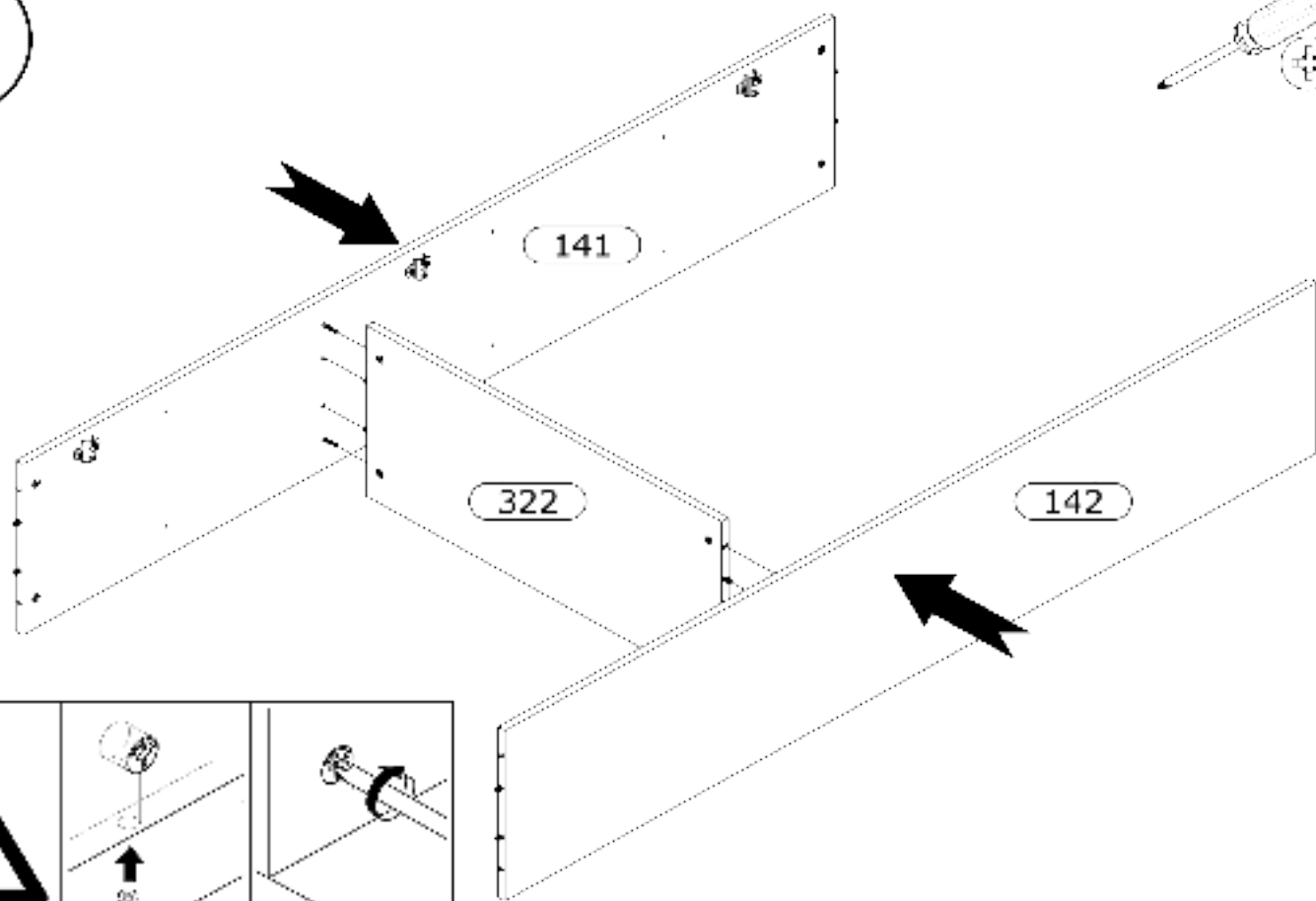
Z3 x 6



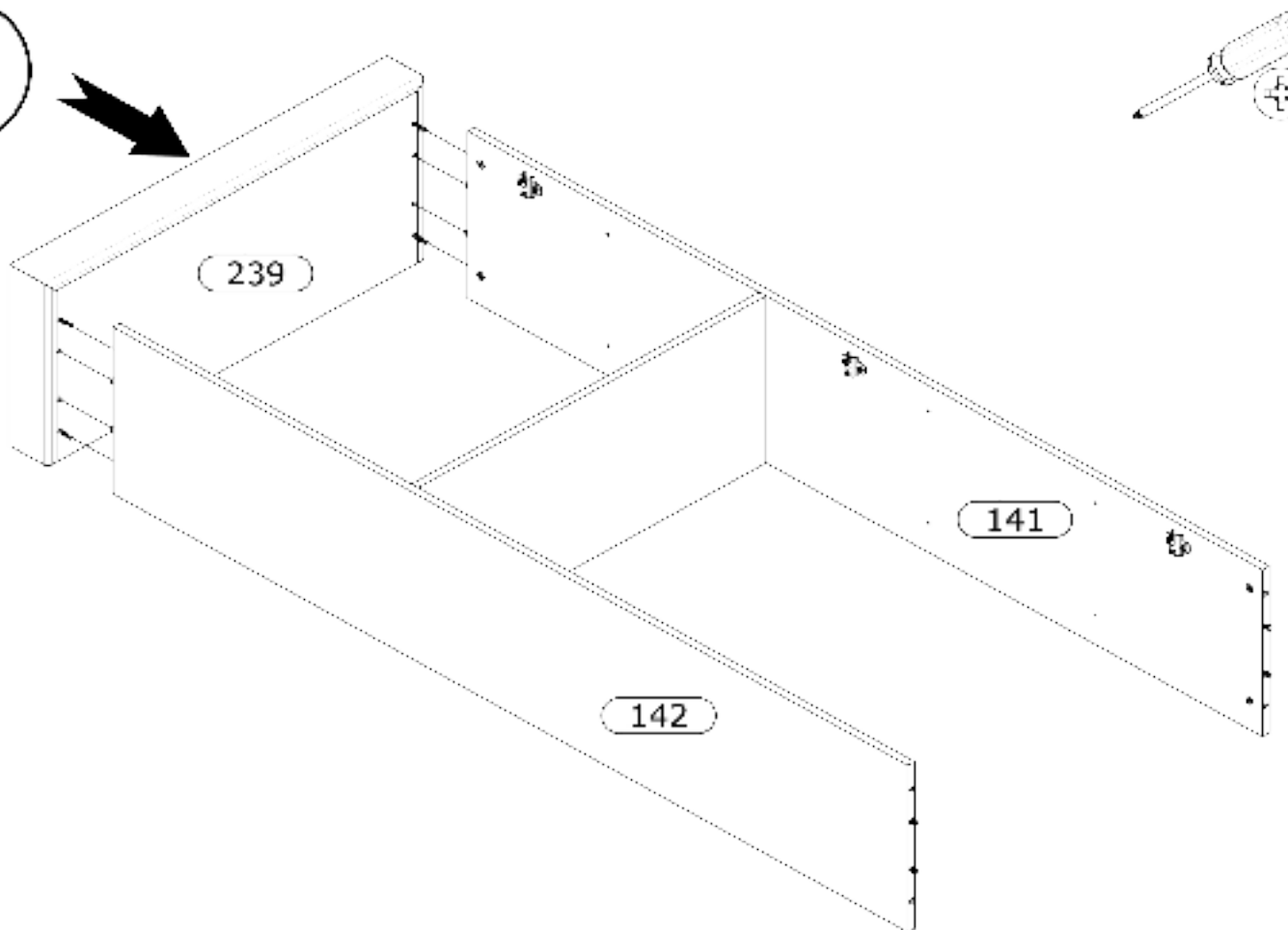
Ø35, 2K0



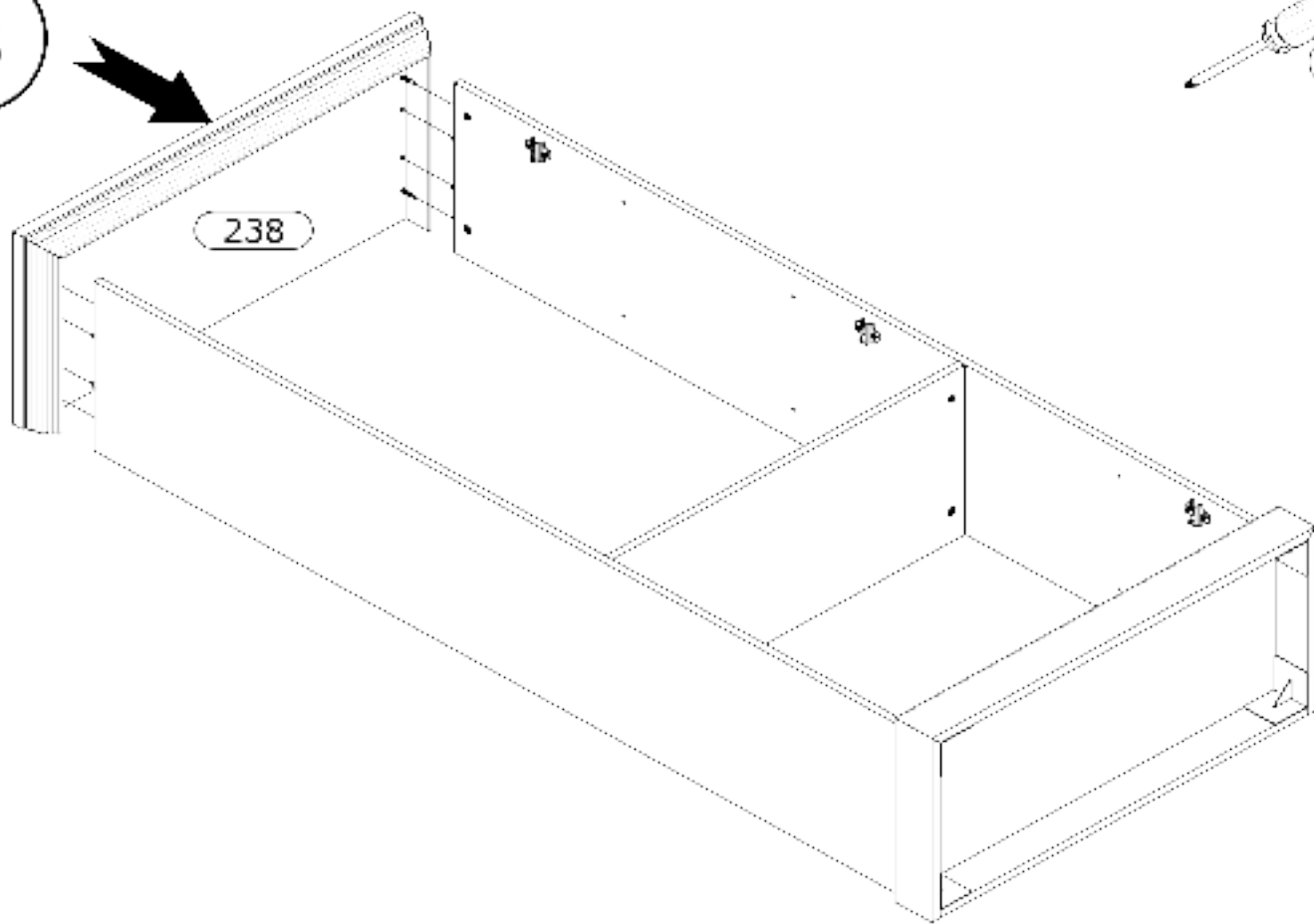
6



7



8



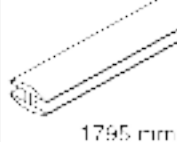
9

G1 x18



20mm

Hx1

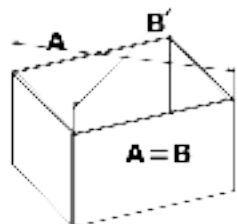
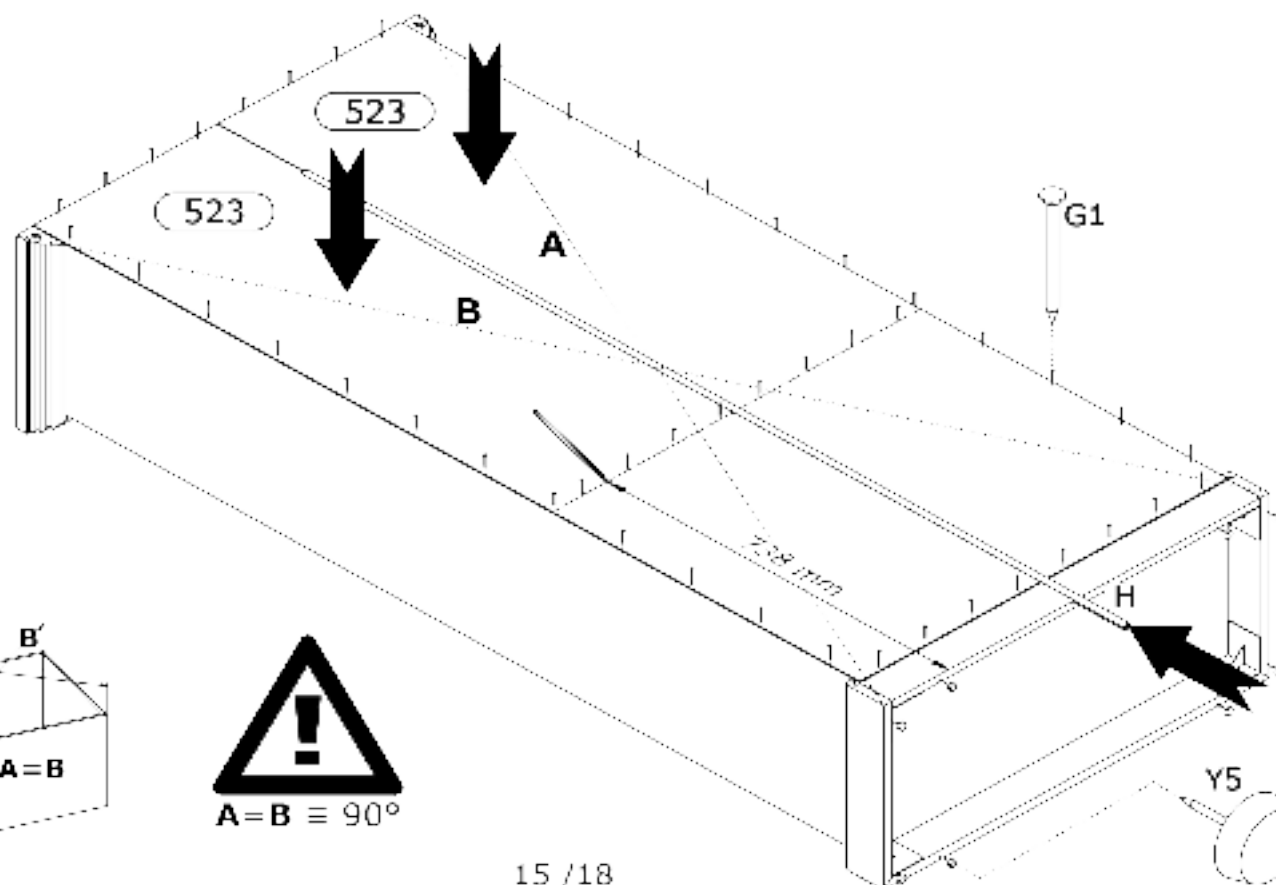


1795mm

Y5 x8



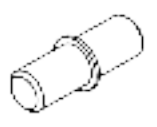
15x20mm



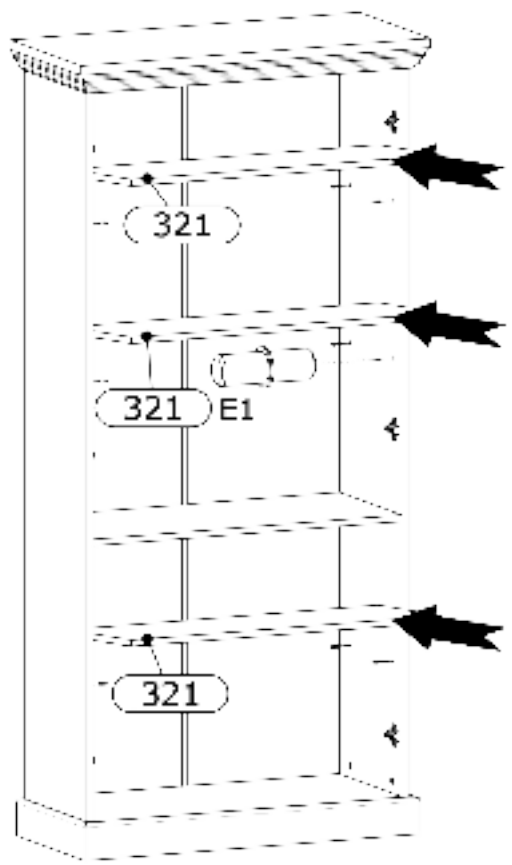
$A=B \equiv 90^\circ$

10

E1 x 12



Øx16mm



11

J6 x 12

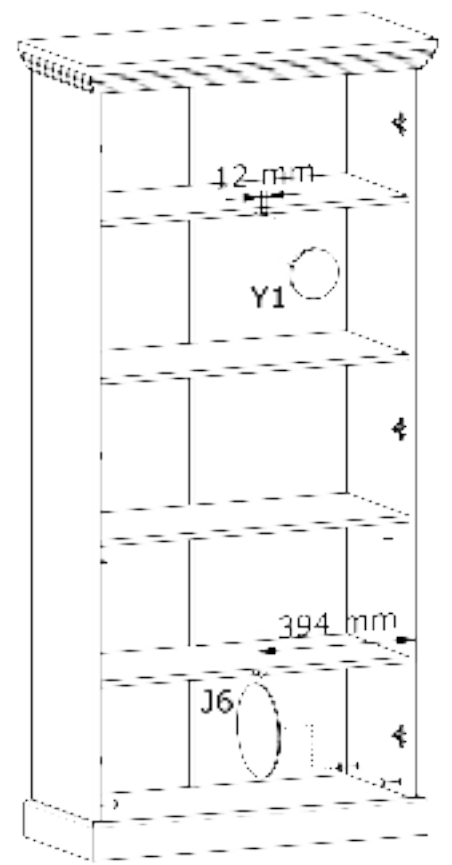


Ø21mm

Y1 x 6

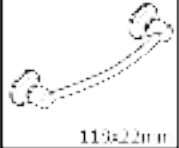


Ø28x1,5mm



12

U7 x 2

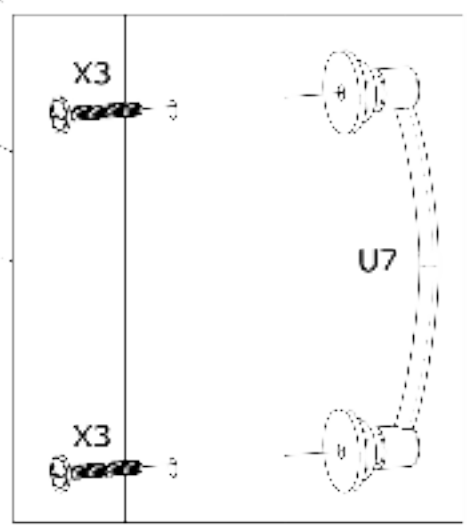
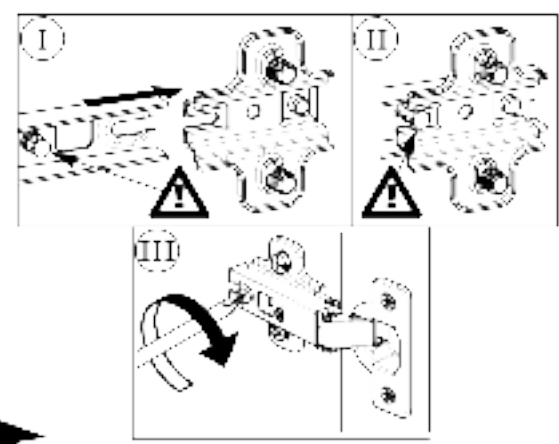
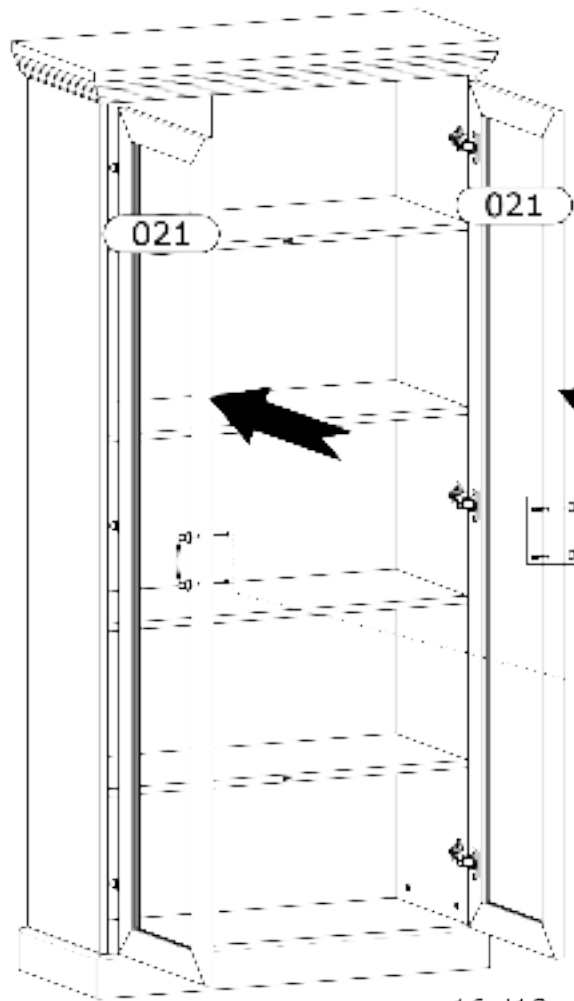
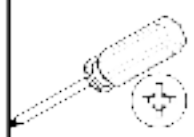


119x22mm

X3 x 4



Øx22mm



13

T4 x2

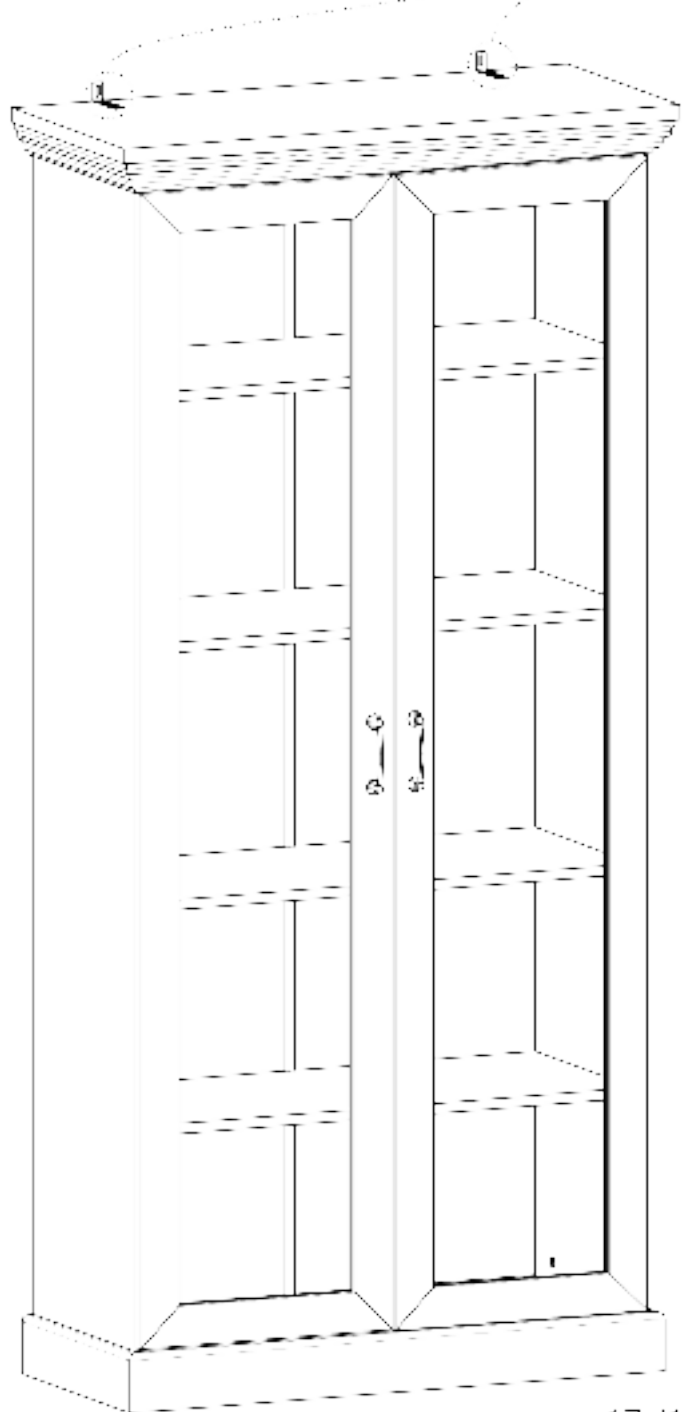
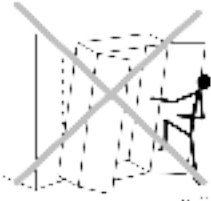
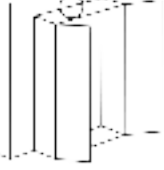
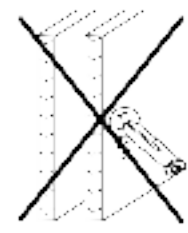
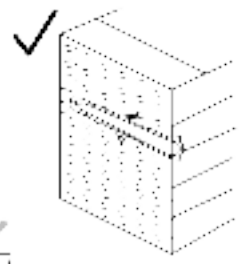
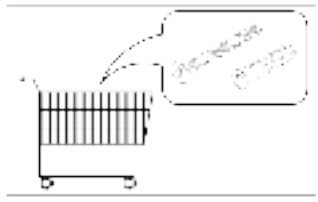
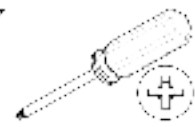


75x28x10 mm

W2 x4



Ø3.5x16mm



- I
- II
- III
- IV
- V
- VI

14

