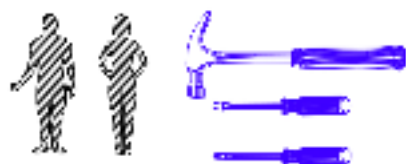
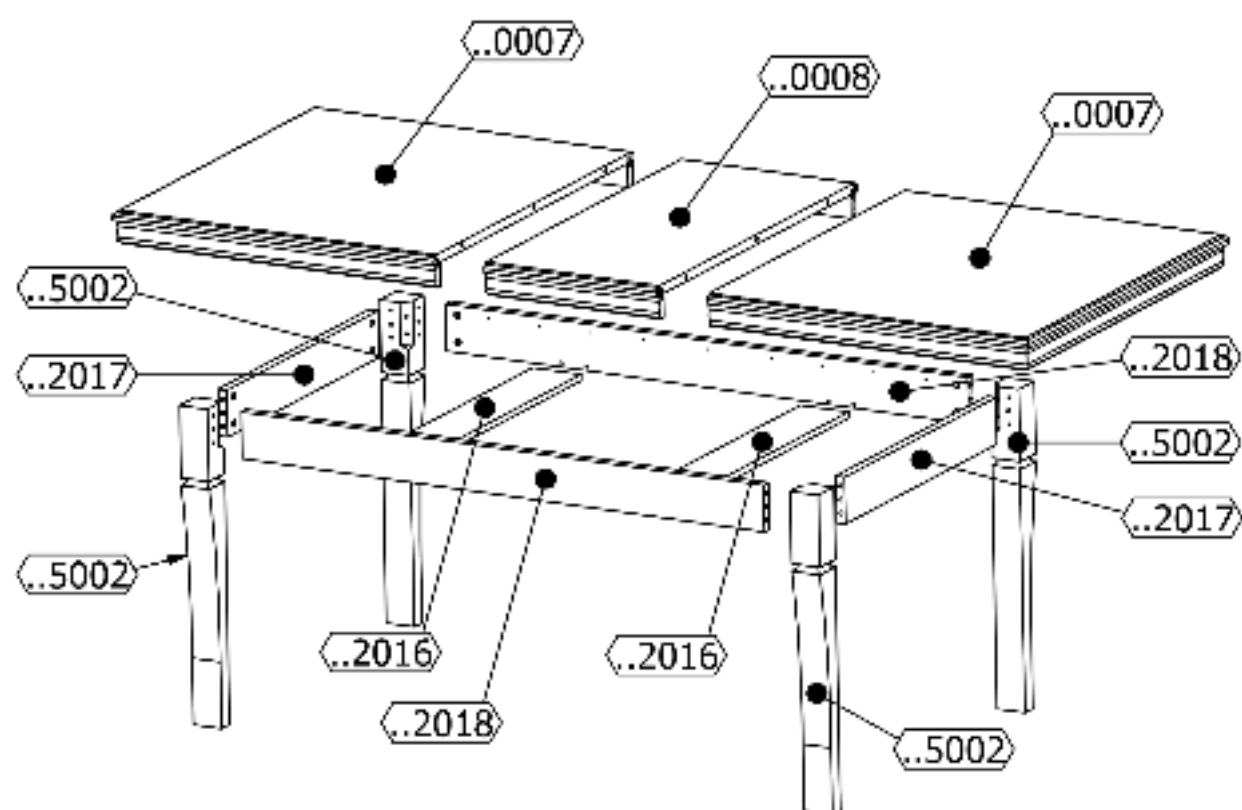
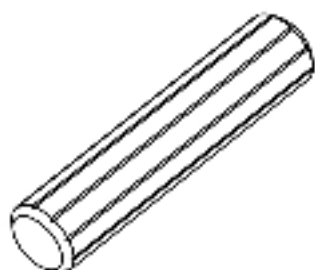


Kora ST

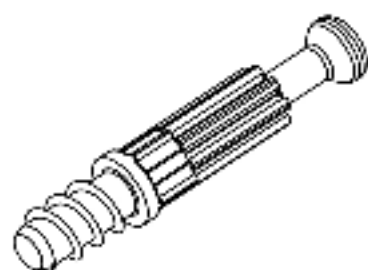


1	..0007	2	1
2	..0008	1	2
3	..2016	2	2
4	..2017	2	3
5	..2018	2	3
6	..5002	4	2

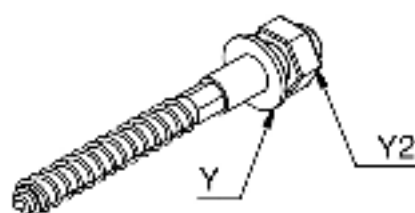
A x12
(8x36)



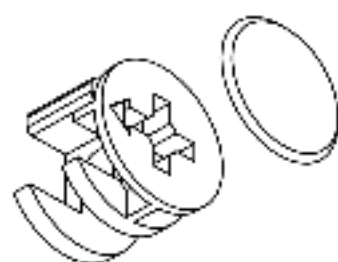
B x20



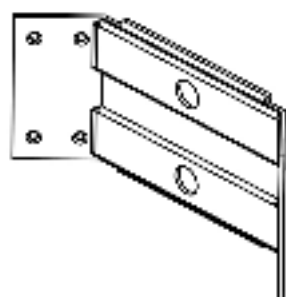
B2 x8



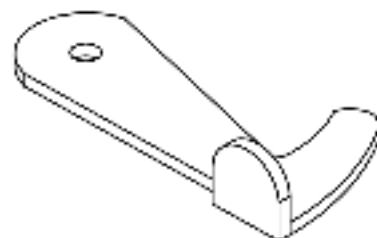
C x20
(15x12)



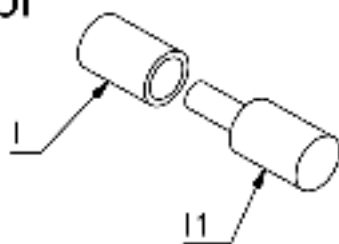
Ks x4



UO x4



I x6 kpl



W2 x86
(3,5x16)



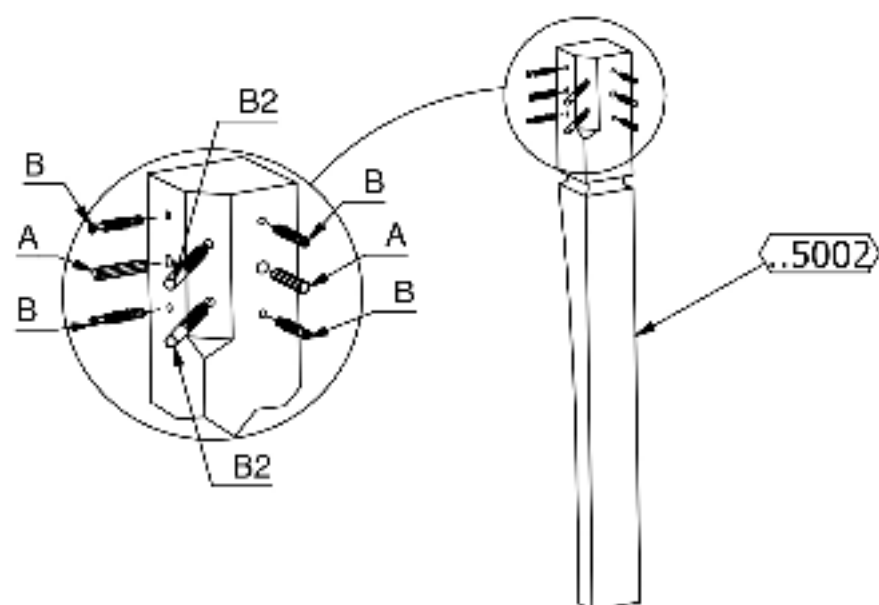
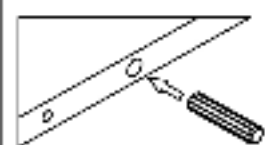
P x1 kpl



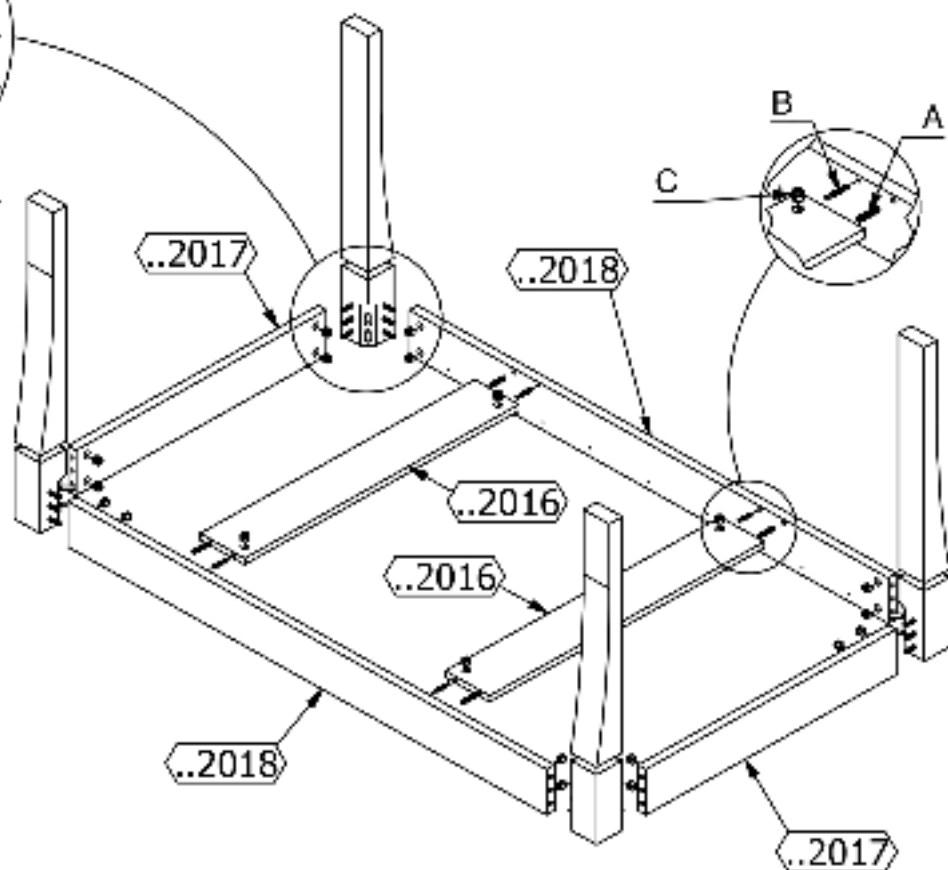
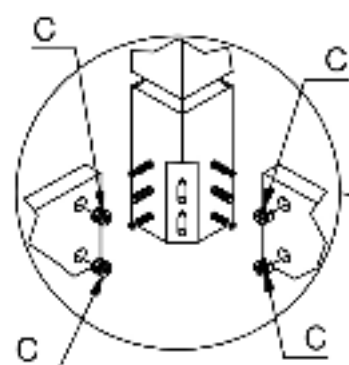
Z x1



1

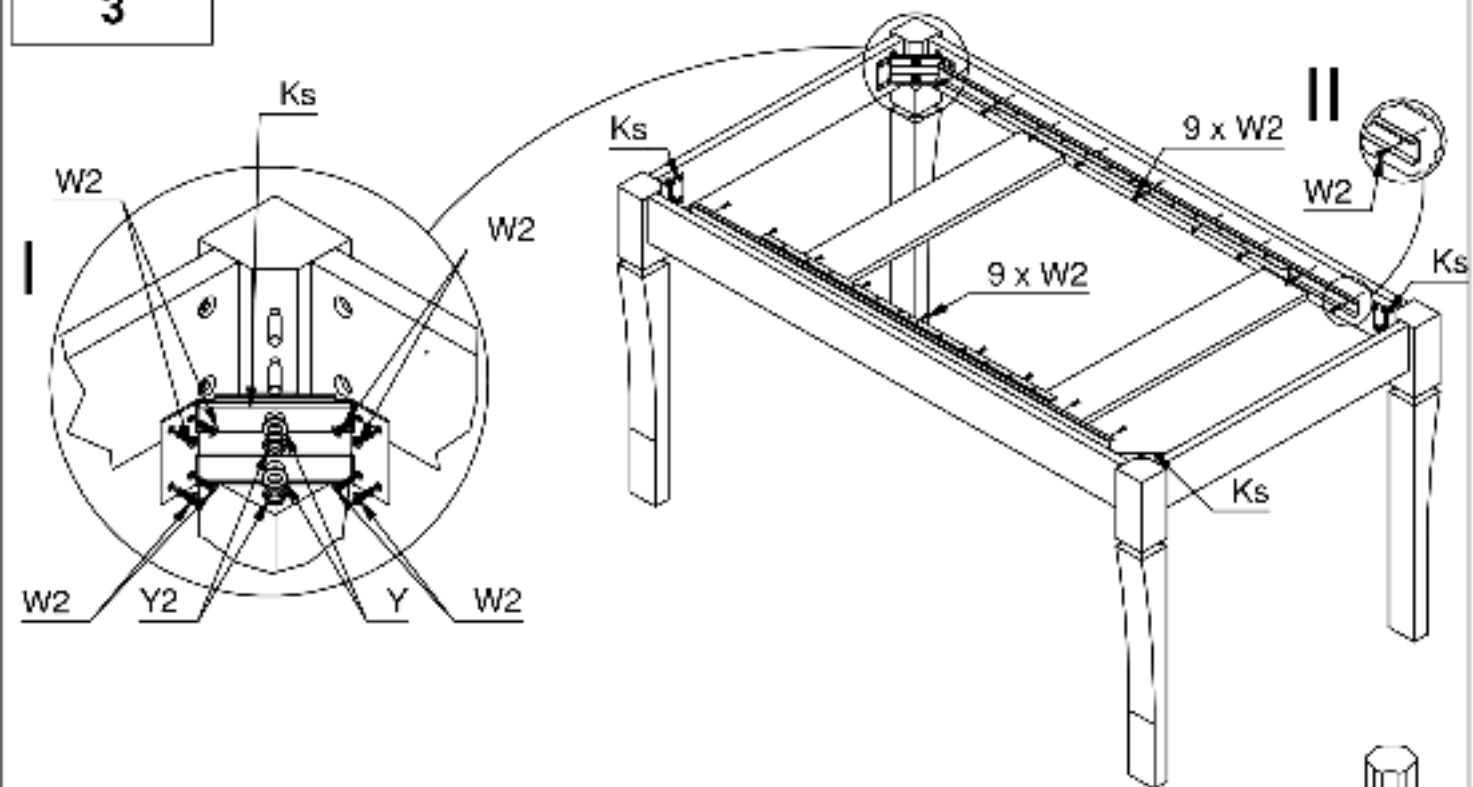


2

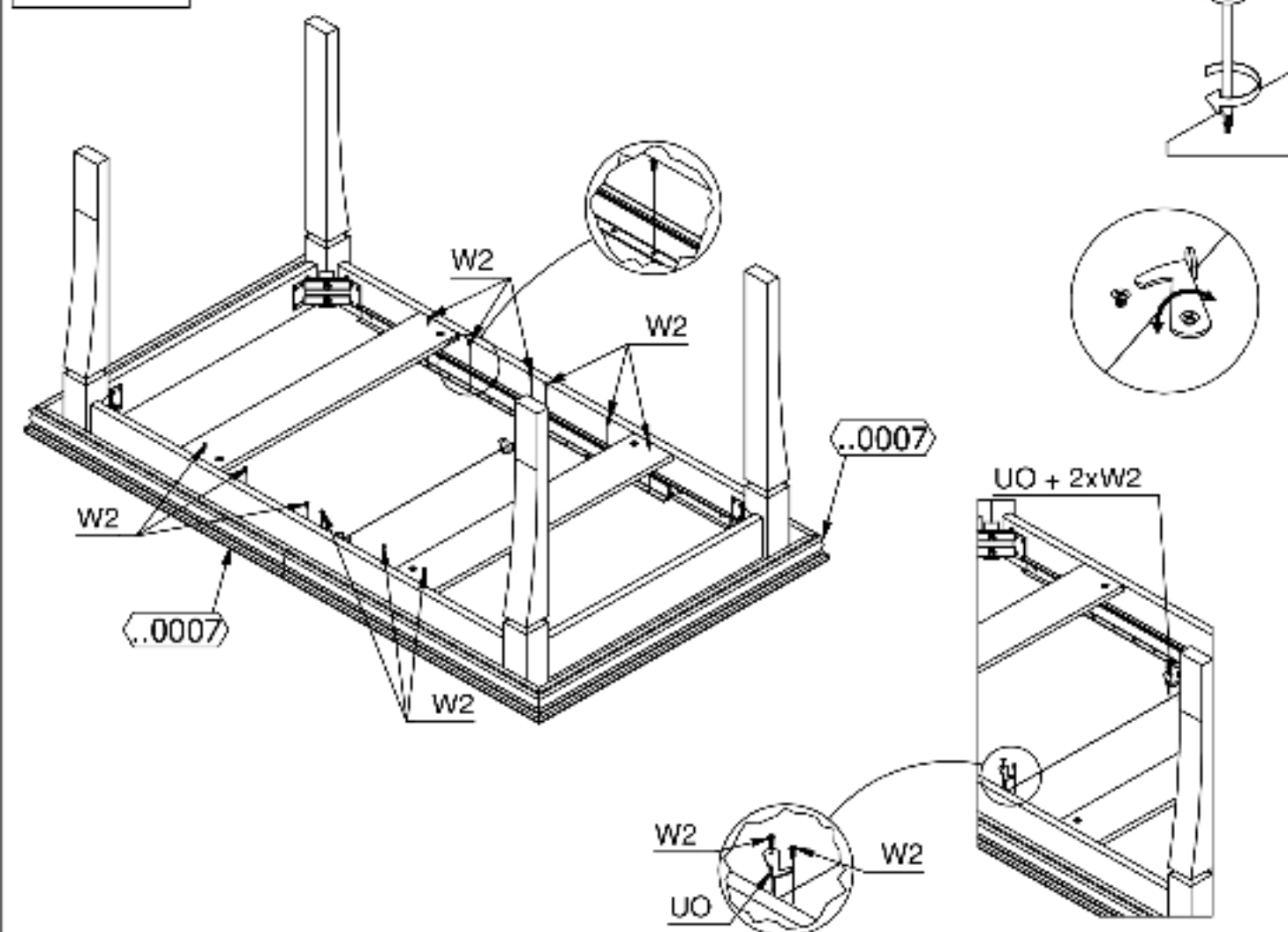


3

3

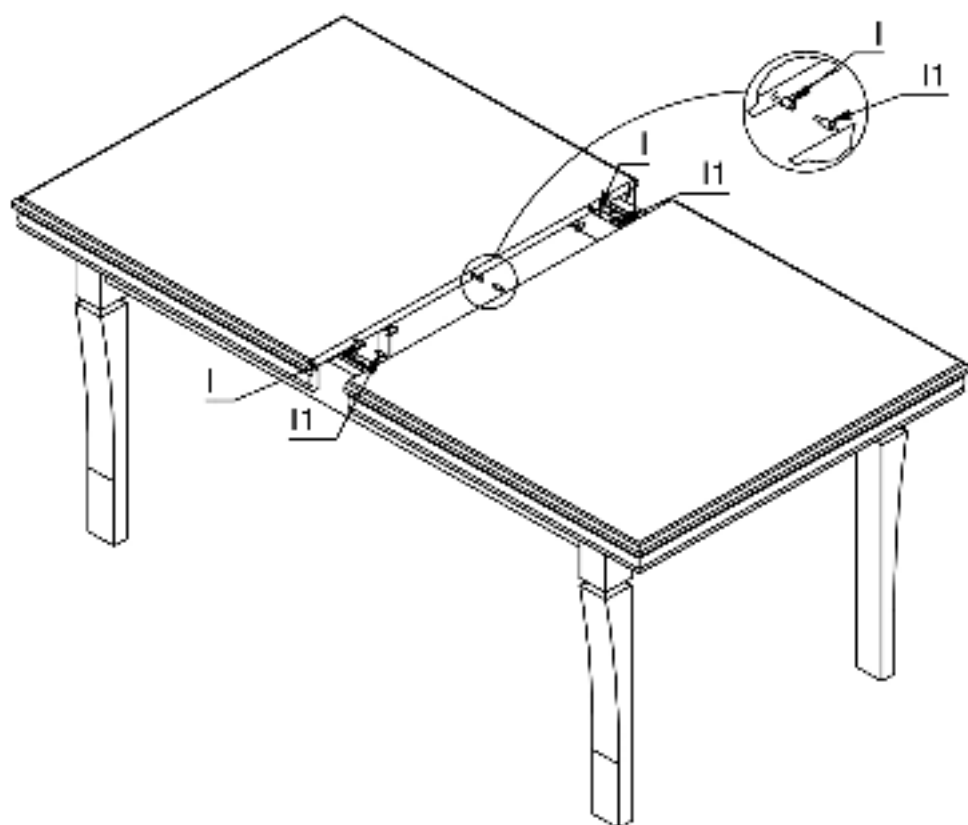


4



4

5



6

