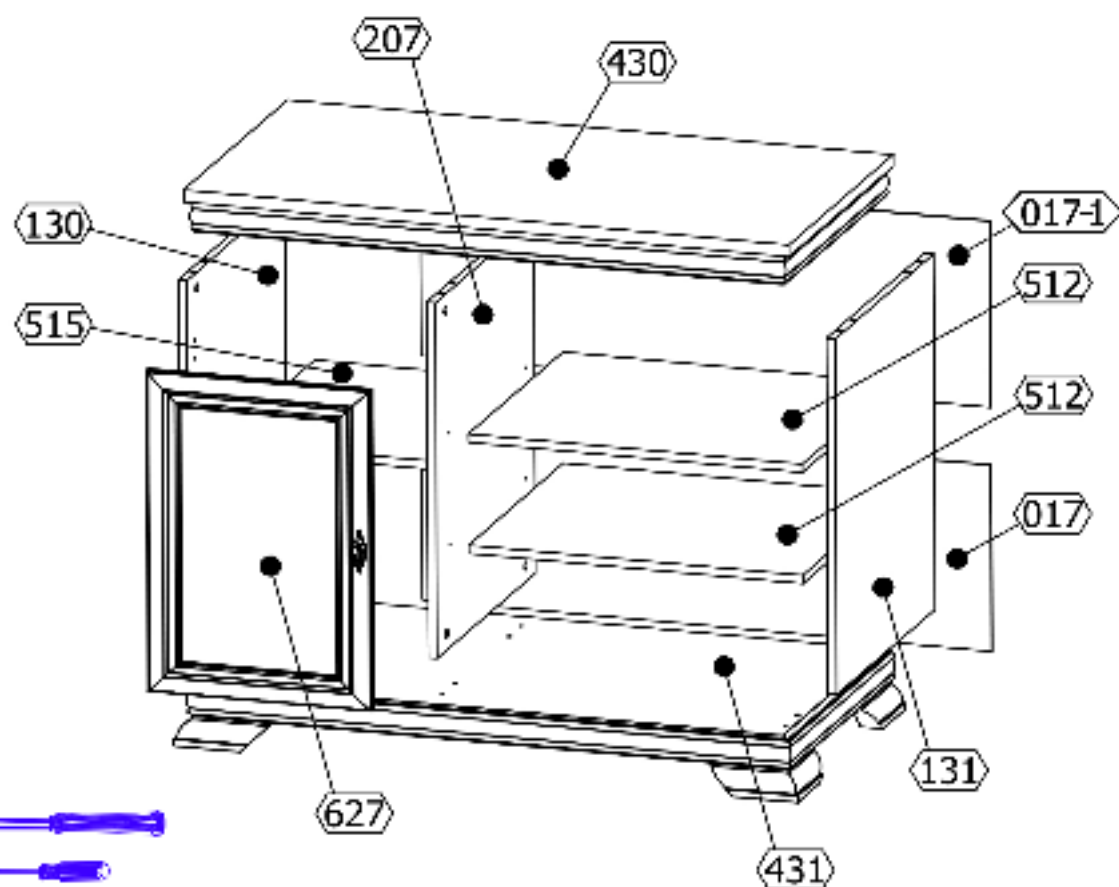
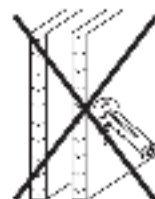
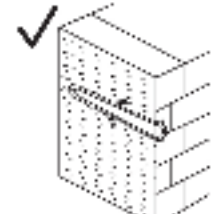
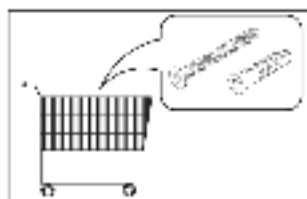


Kora KRT



| | | | |
|---|-------|---|---|
| 1 | 130 | 1 | 2 |
| 2 | 431 | 1 | 2 |
| 3 | 130 | 1 | 1 |
| 4 | 131 | 1 | 1 |
| 5 | 207 | 1 | 1 |
| 6 | 017 | 1 | 2 |
| | 017-1 | 1 | |
| 7 | 512 | 2 | 1 |
| 8 | 515 | 1 | 1 |
| 9 | 627 | 2 | 1 |



A

T4 x1



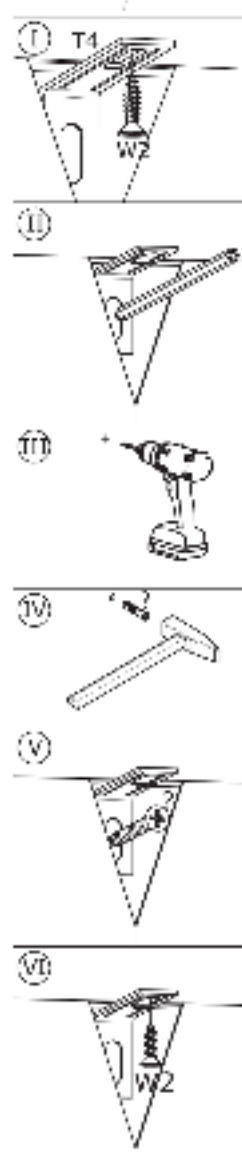
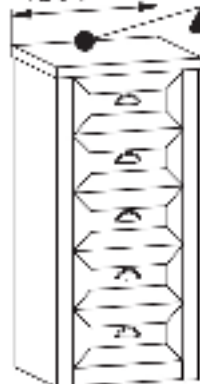
75x78x16 mm

W2 x2



Ø3,5x16mm

<800 mm



B

T4 x2



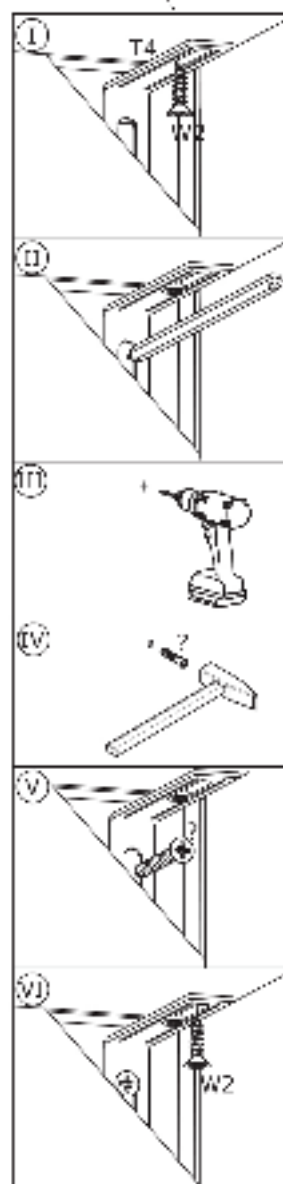
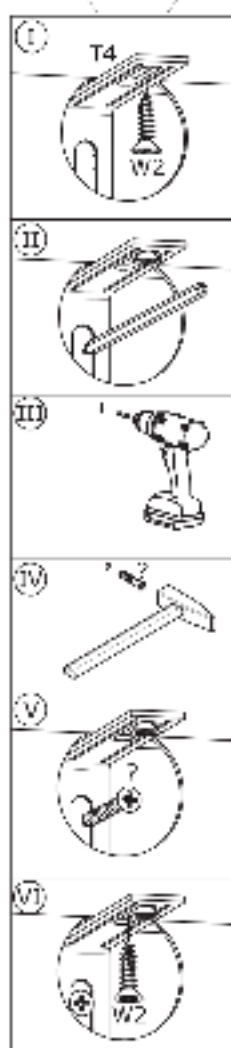
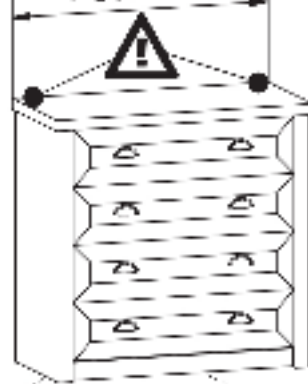
75x78x16 mm

W2 x4

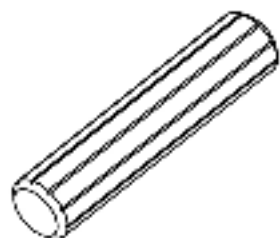


Ø3,5x16mm

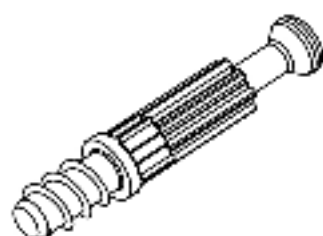
>800 mm



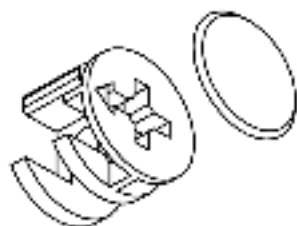
A x12
(8x36)



B x12



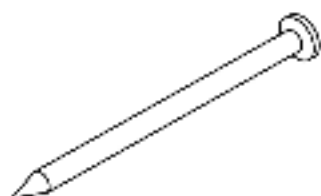
C x12
(Ø15x12)



E x12



G x50



H x1



W2 x4
(3,5x16)



Z x1



M x1

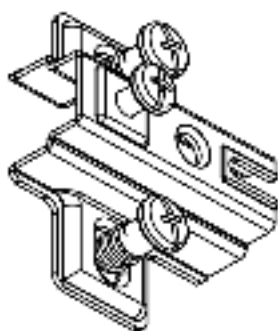


+

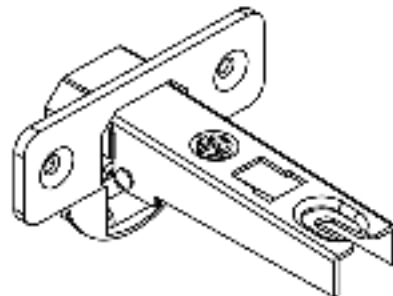


X2 (M4x35)

U x2

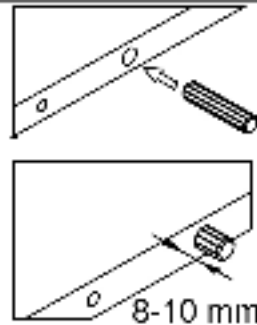
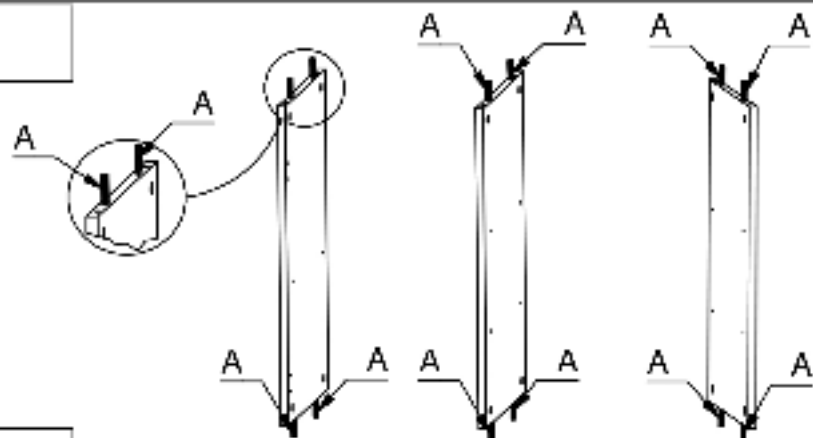


Uz

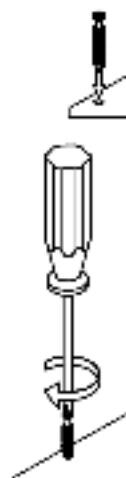
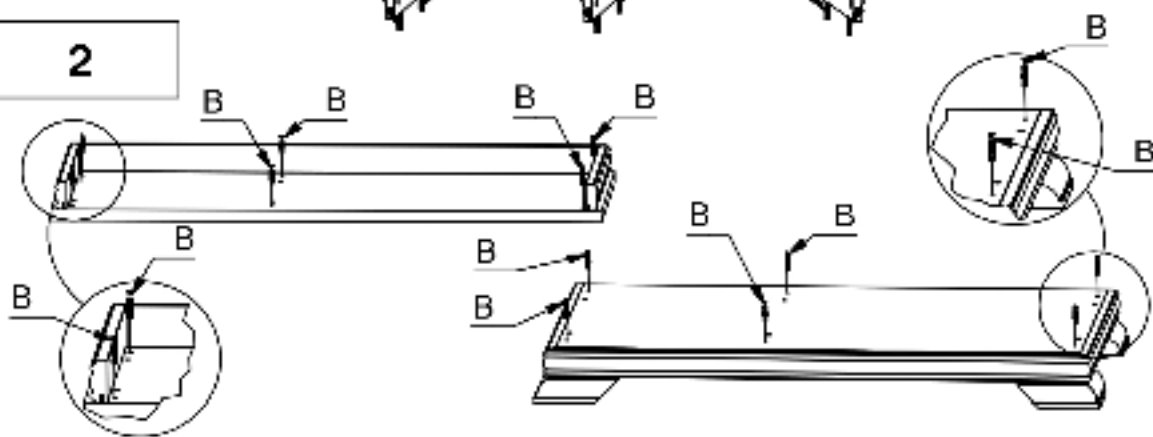


Uz1

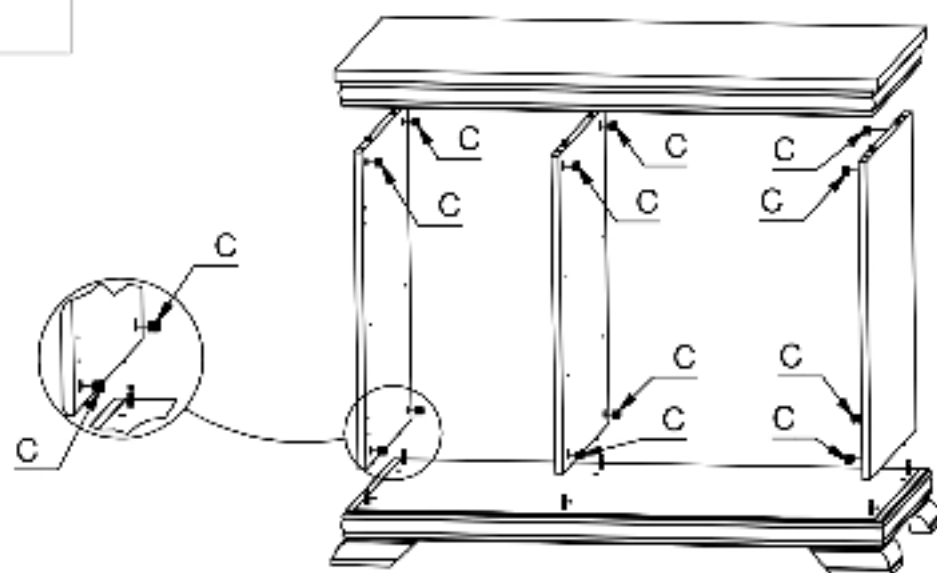
1



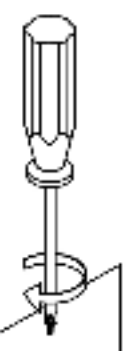
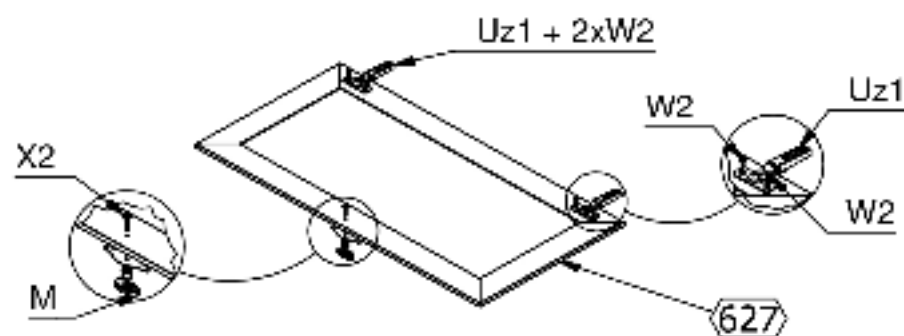
2



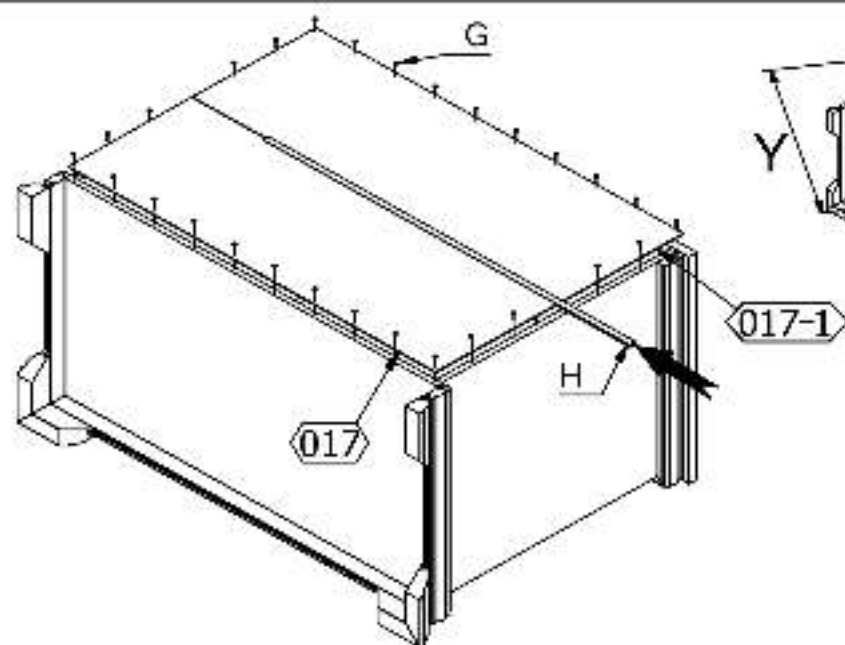
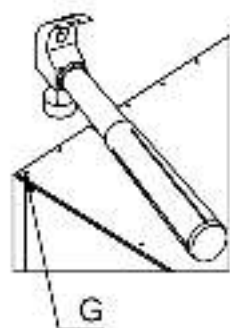
3



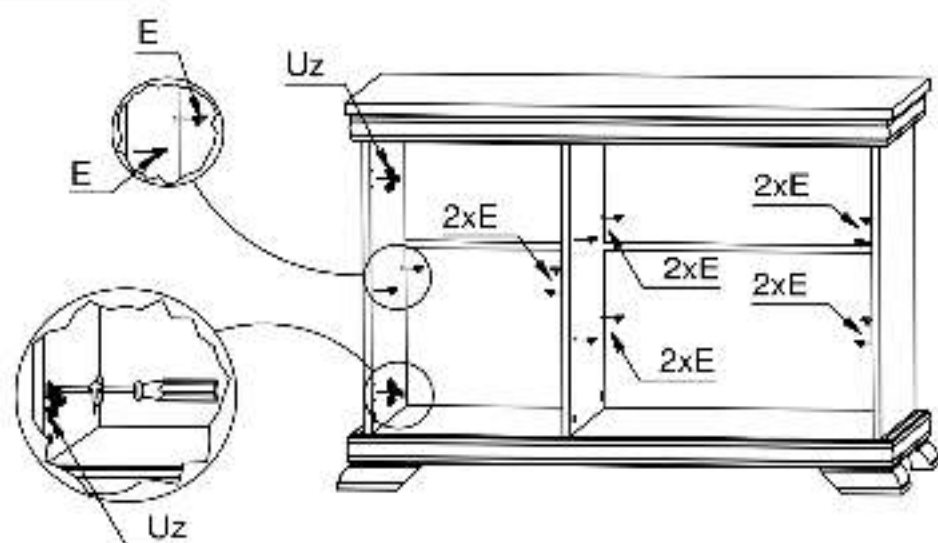
4



5



6



7

