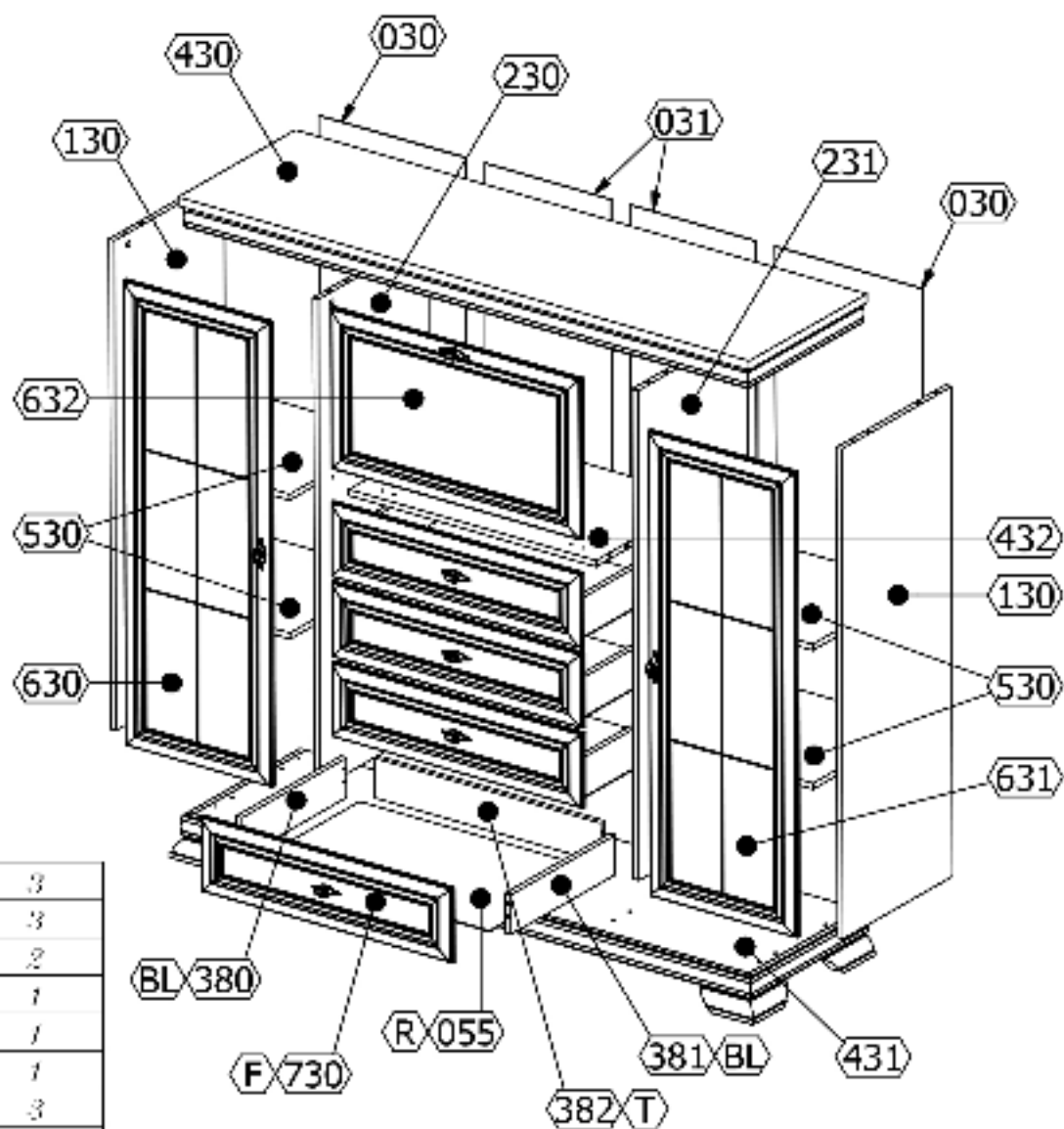
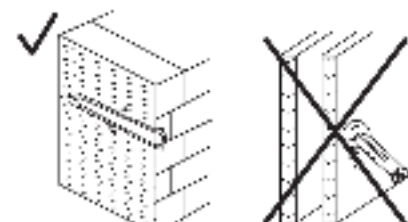
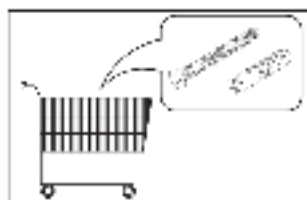
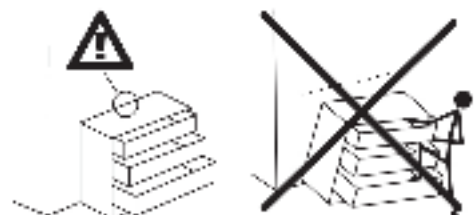




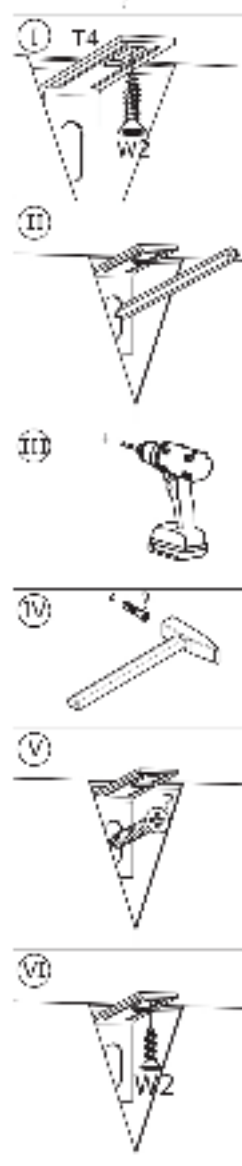
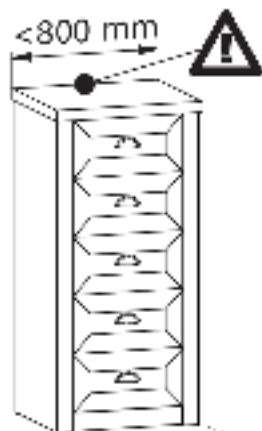
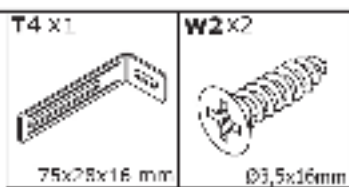
Kora KK7



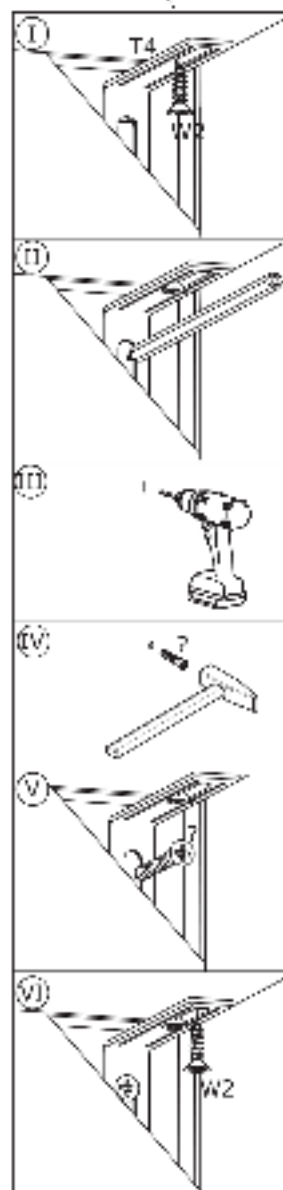
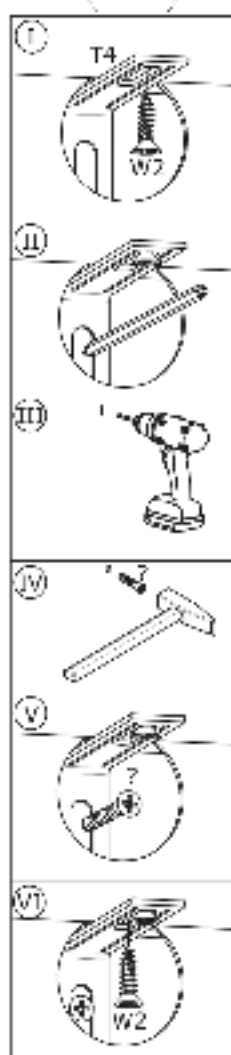
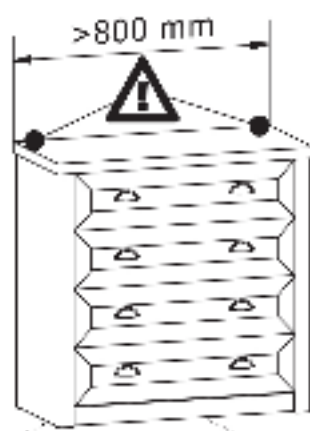
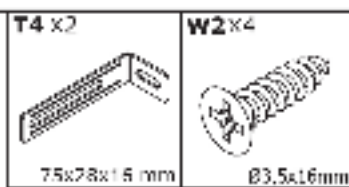
1	130	1	3
2	431	1	3
3	432	1	2
4	130	2	1
5	230	1	1
6	231	1	1
7	030	2	3
8	530	1	1
9	630	1	4
10	631	1	4
11	730	1	2
12	380	4	1
13	381	1	1
14	382	4	1
15	055	1	3
16	031	2	3
17	632	1	2



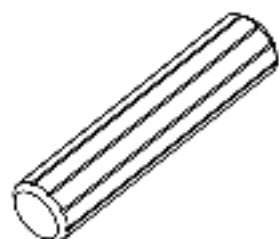
A



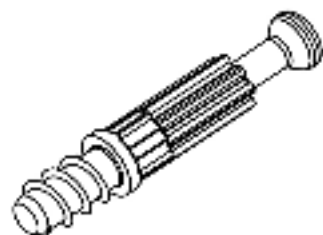
B



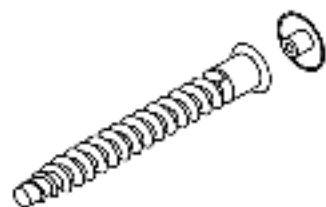
A x52
(8x36)



B x16



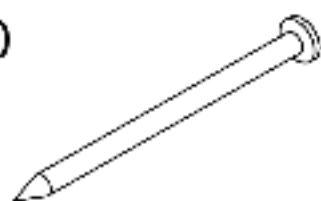
D x4



E x16



G x140



M x7

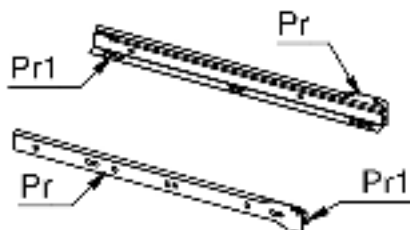


+ 4 x X1 (M4x27)

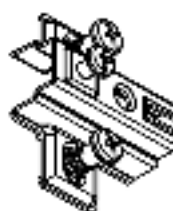


3 x X2 (M4x35)

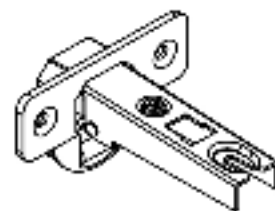
P x4



U x6

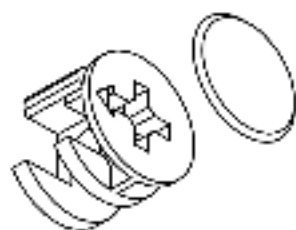


Uz



Uz1

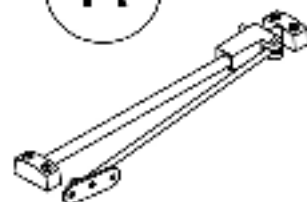
C x16
(Ø15x12)



H x1



R x1



W1 x19
(3.5x13)



W2 x12
(3.5x16)



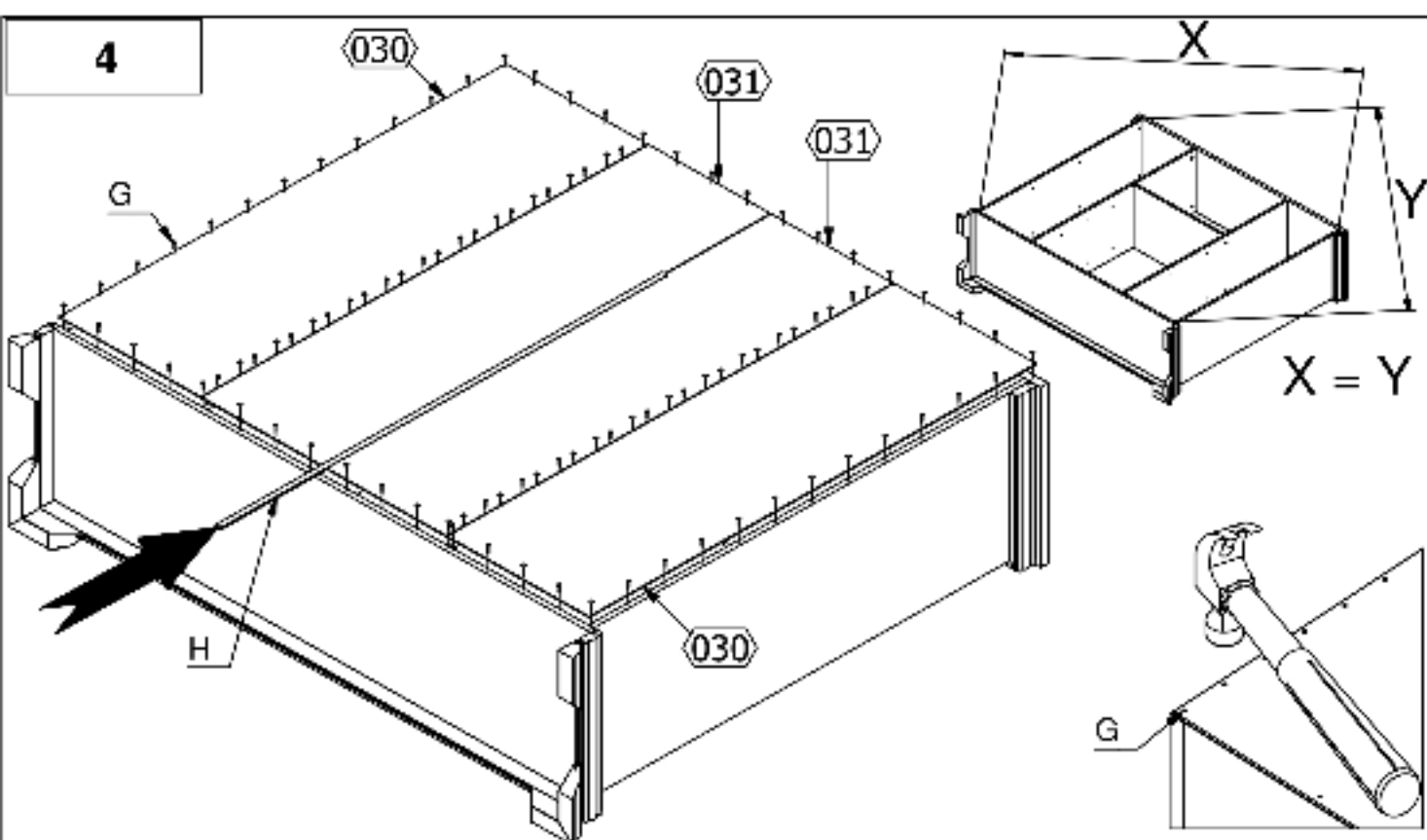
W3 x20
(3x25)



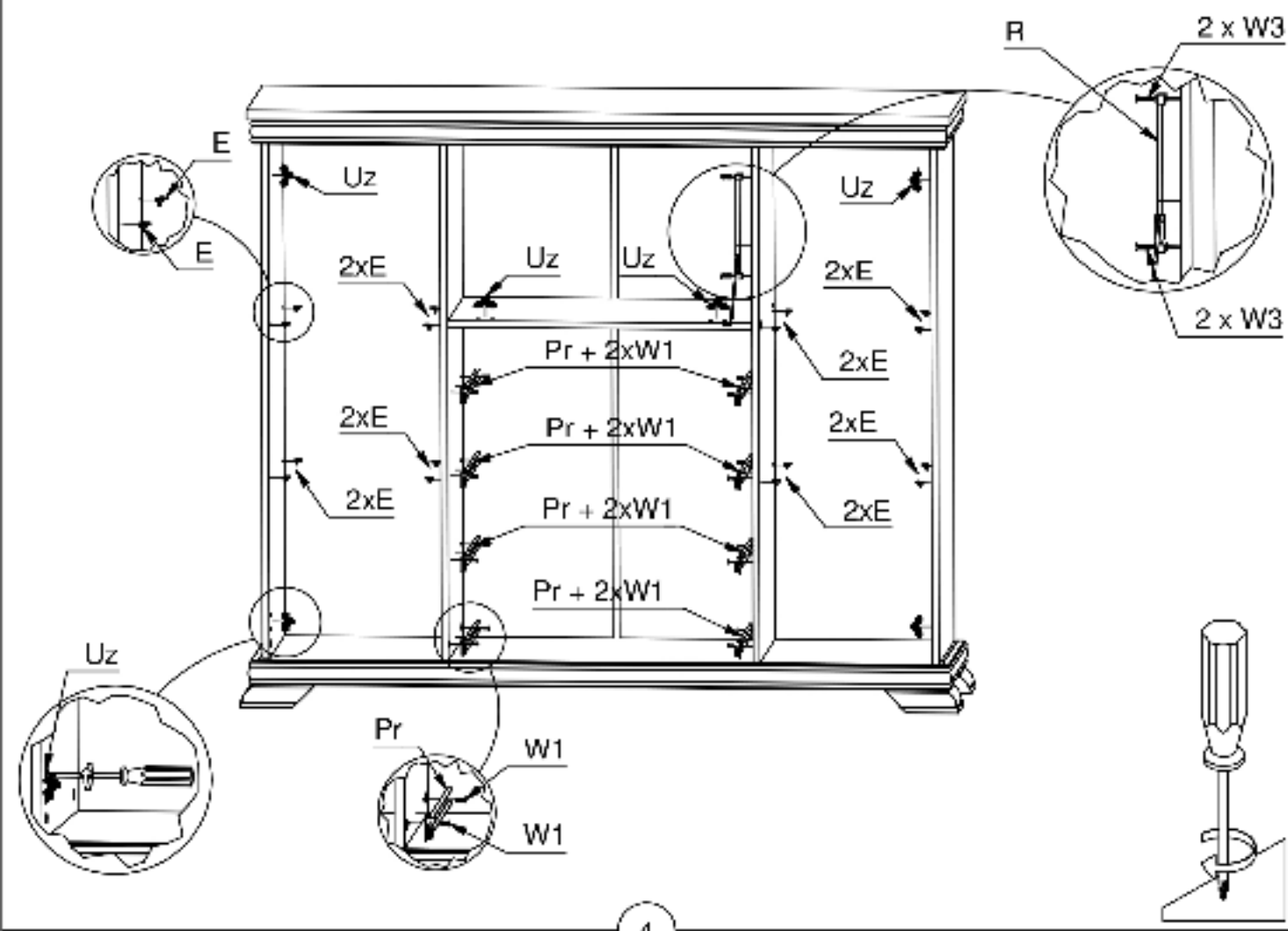
Z x1



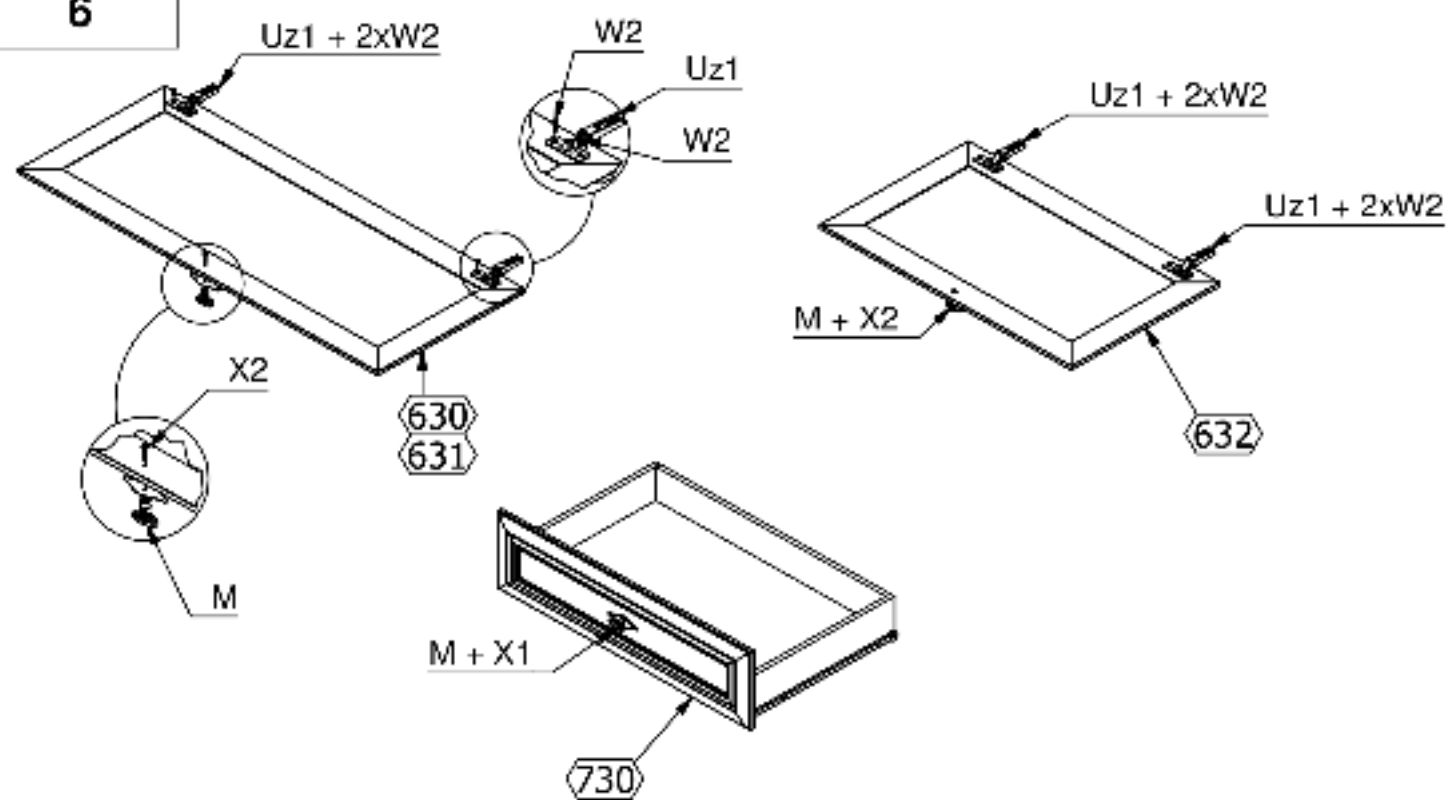
4



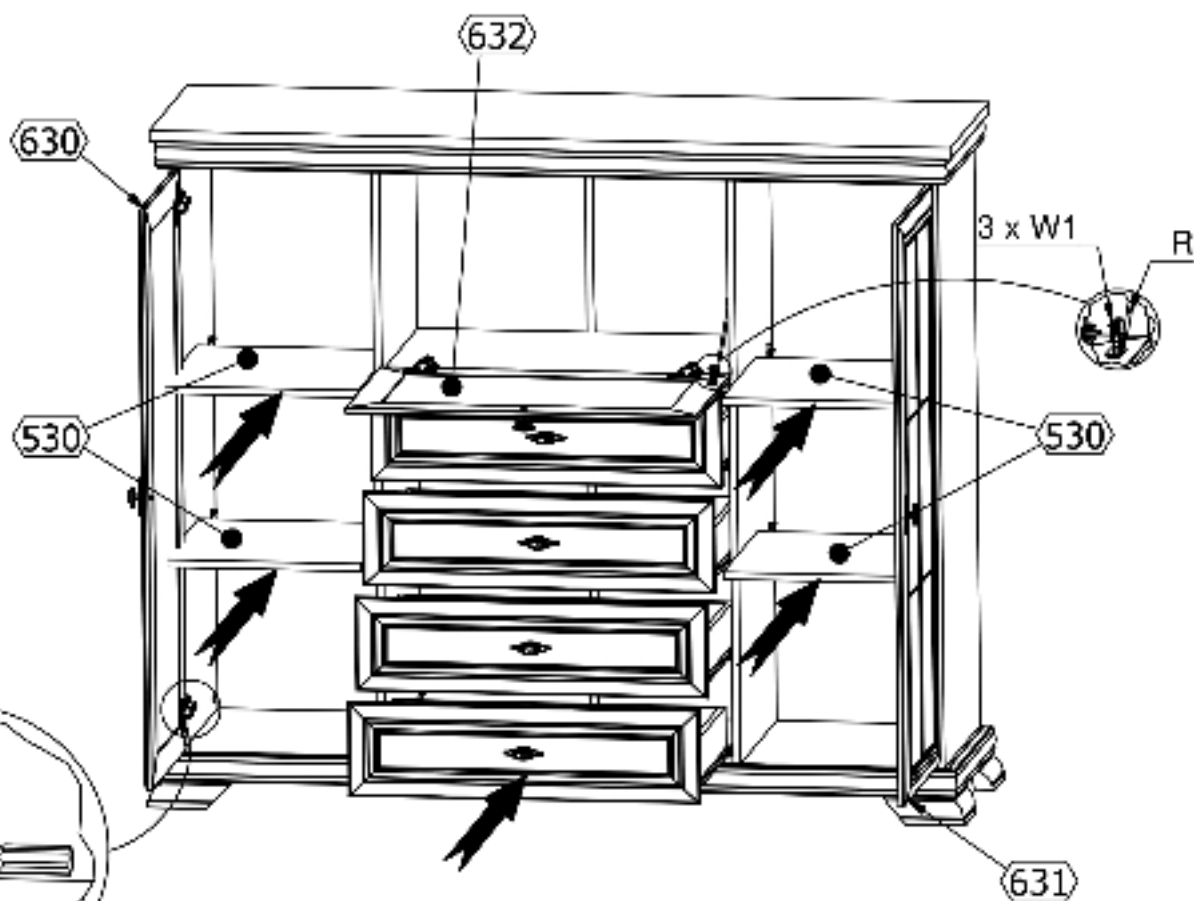
5



6



7



5

