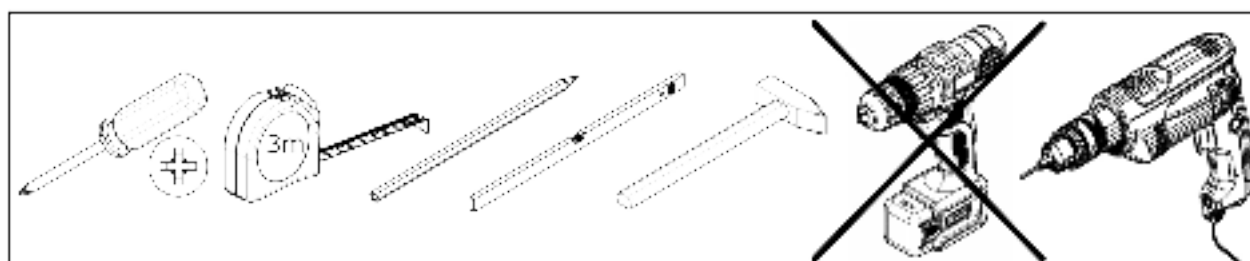
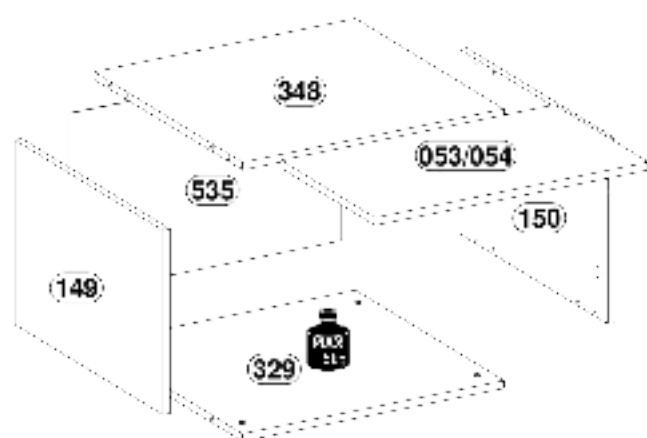
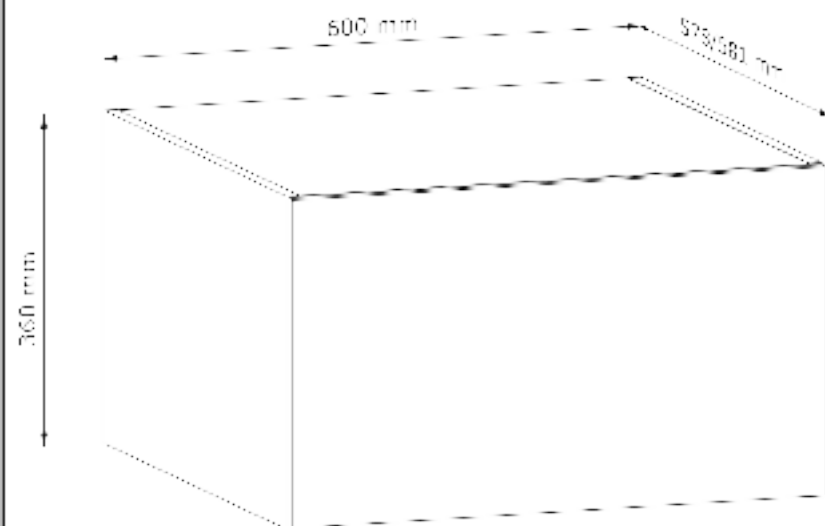


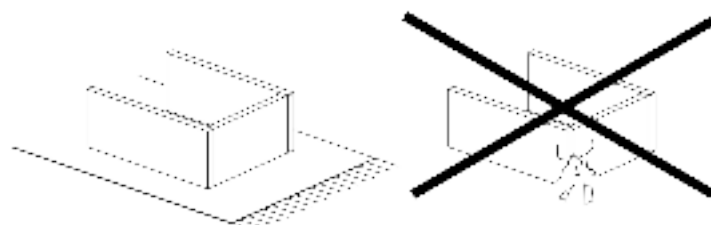
# LANGEN

# N60



<b>A1 x 8</b>  Ø8x35mm	<b>B1 x 8</b>  Ø5x38mm	<b>B6 x 2</b>  Ø14x36mm	<b>C1 x 8</b>  Ø15x12mm	<b>G1 x 20</b>  26mm
<b>I20 x 1</b>  83x21x11mm	<b>J10 x 8</b>  Ø21mm	<b>Q1 x 1</b>  270mm	<b>T4 x 1</b>  75x28x16 mm	<b>U19 x 1</b>  300mm
<b>W2 x 13</b>  Ø3,5x16mm	<b>W5 x 2</b>  Ø4x30mm	<b>Y1 x 2</b>  Ø8x1,5mm	<b>Z1 x 2</b>  50x40, H=2	<b>Z3 x 2</b>  Ø35, ZK0

Nc.	L[mm]	W[mm]	H[mm]	PCS	BOX
053/054	596	355	15/18	1	2/2
149	560	360	15	1	1/2
150	560	360	15	1	1/2
348	570	560	15	1	1/2
329	570	560	15	1	1/2
535	597	356	2,5	1	1/2



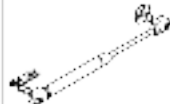
**1**

B1 x 8



Ø5x38mm

Q1 x 1

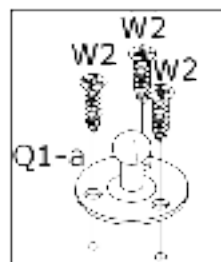
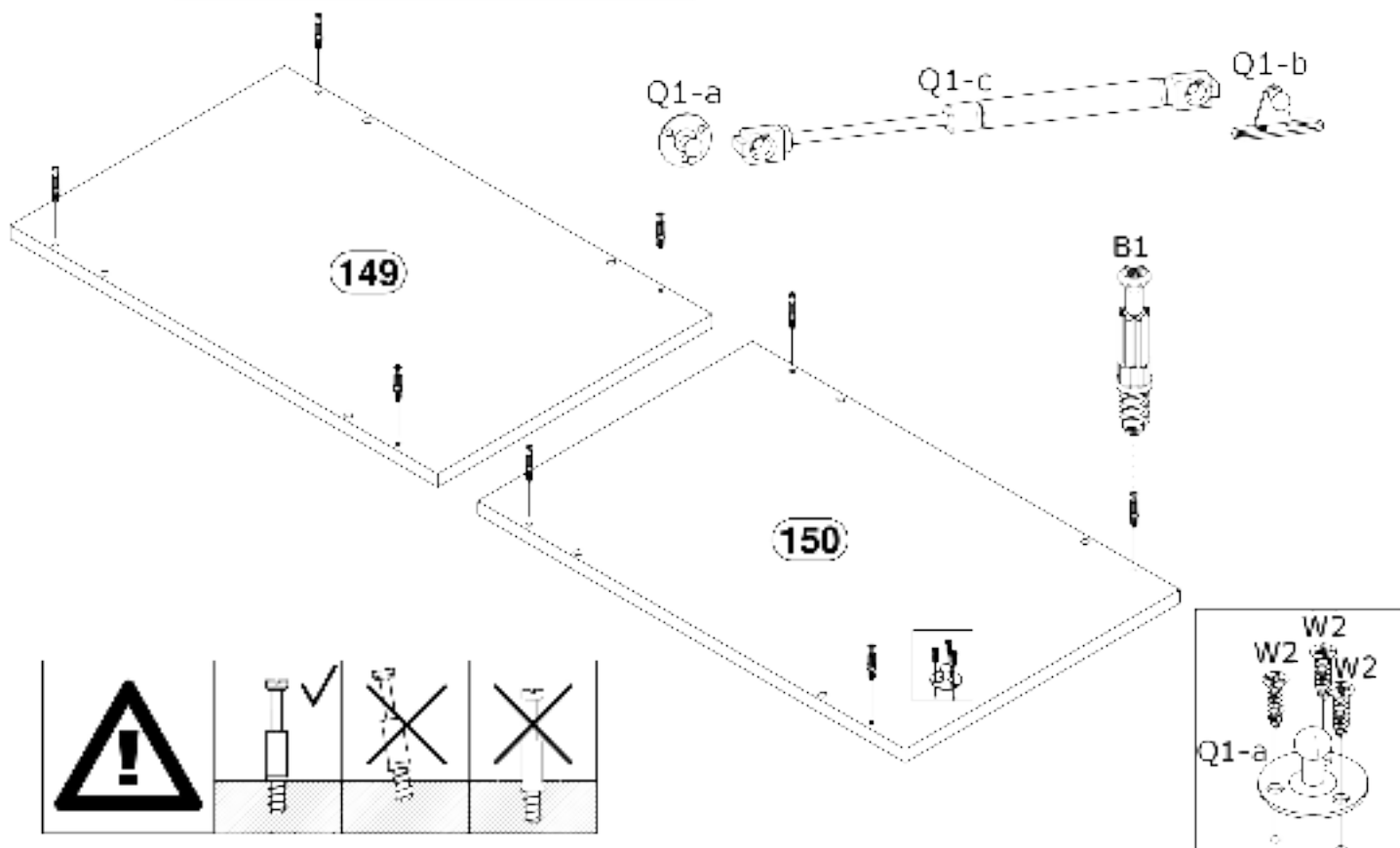


L70mm

W2 x 3



Ø3.5x16mm



**2**

A1 x 8



Ø8x35mm

C1 x 8

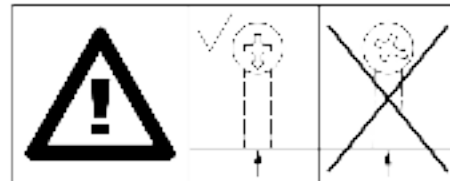
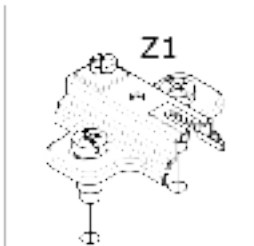
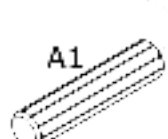
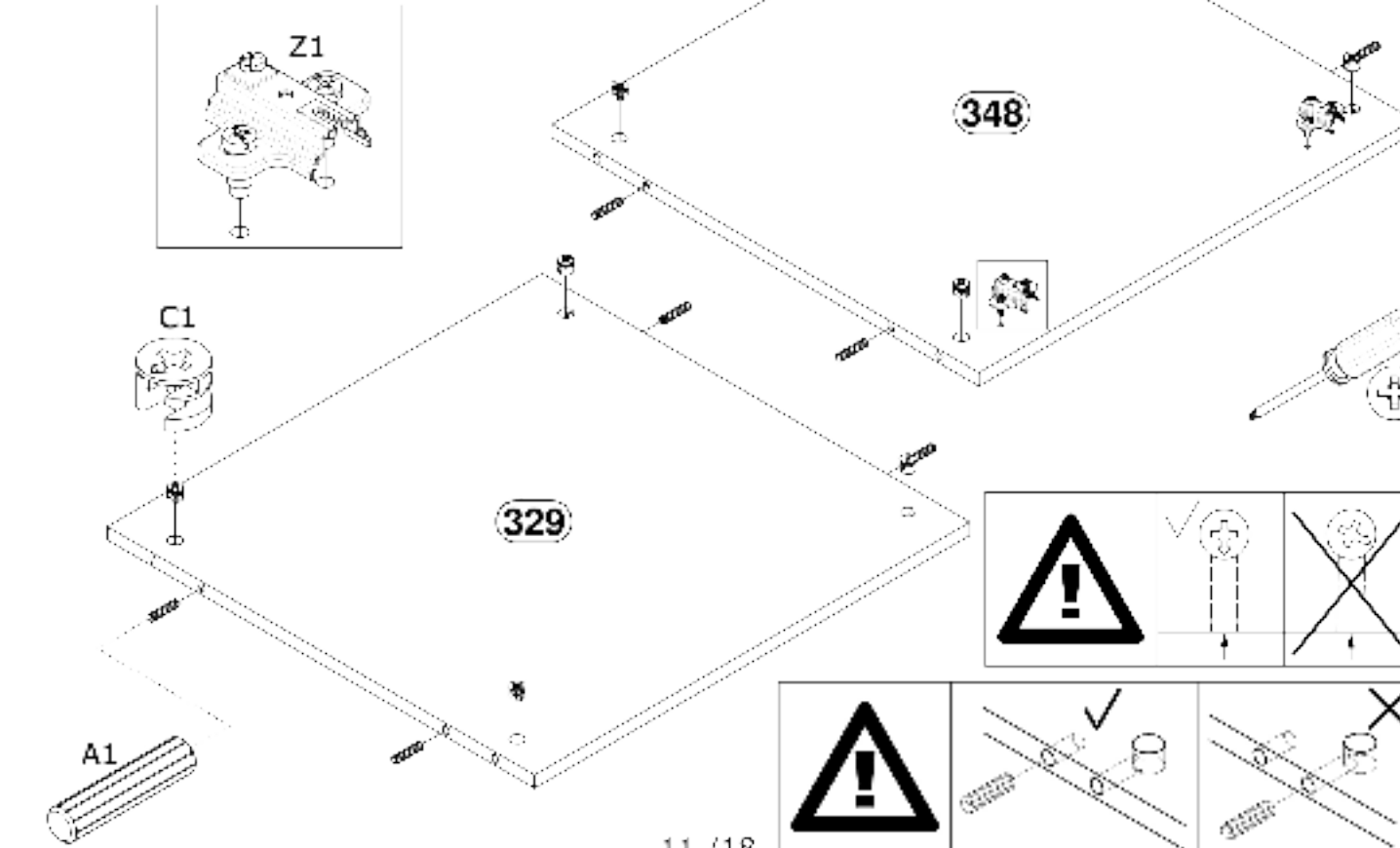


Ø15x12mm

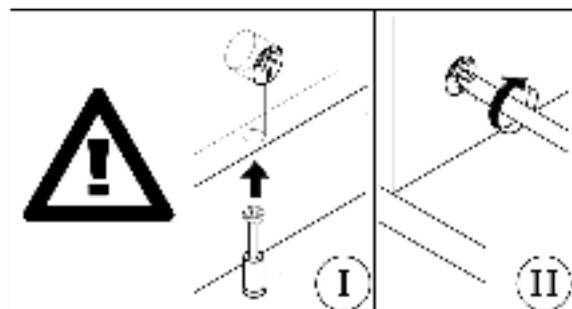
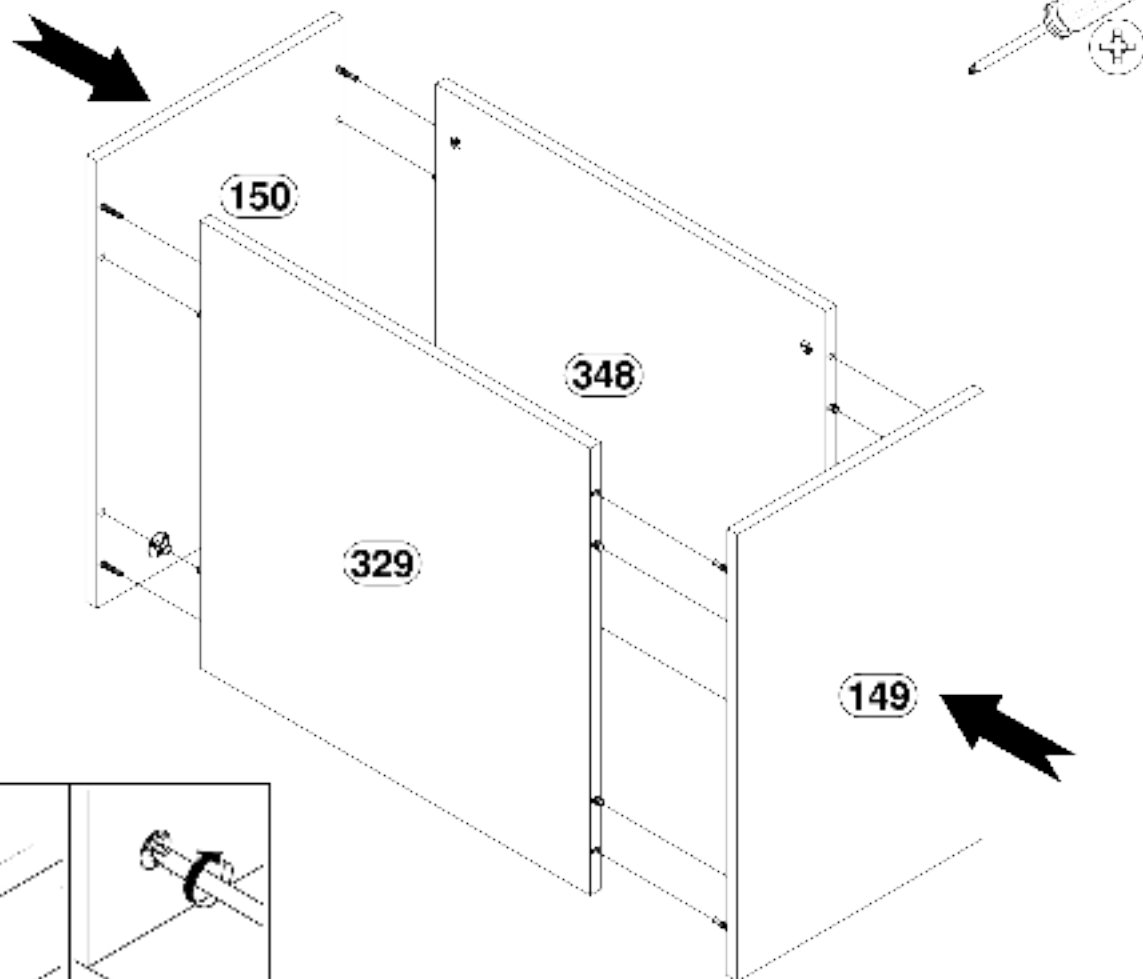
Z1 x 2



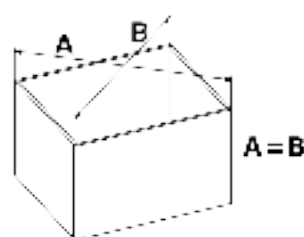
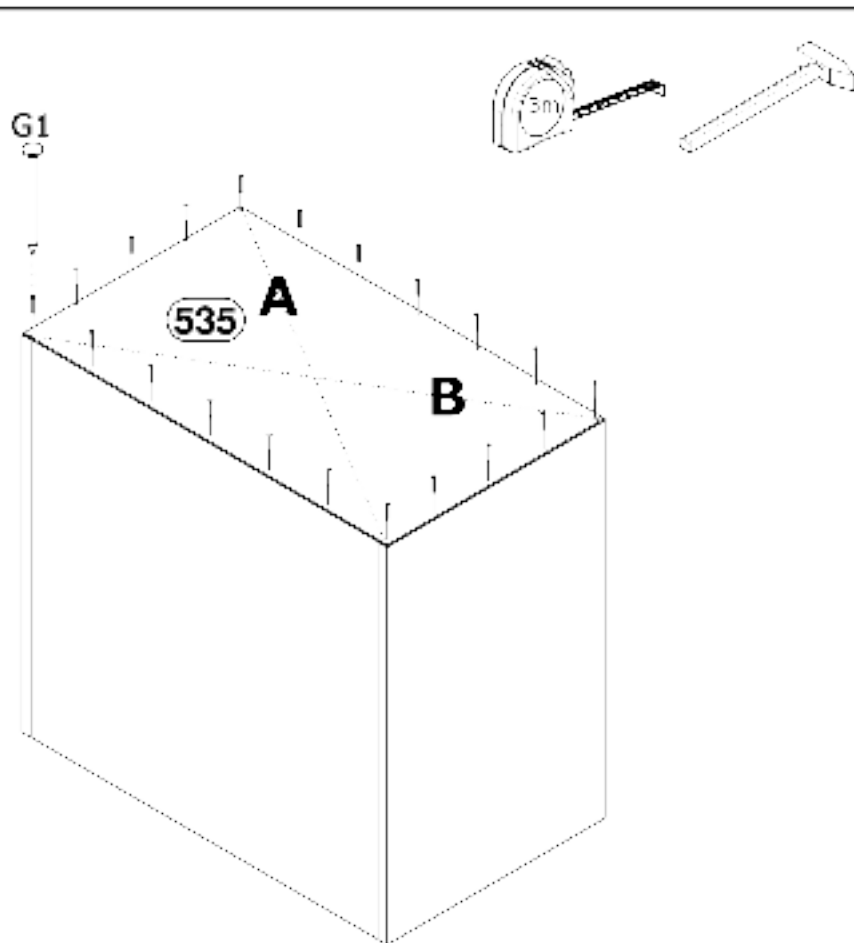
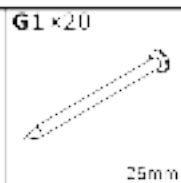
L40x40, H=2



3



4



5

Q1-bx1



51mm

W2x6

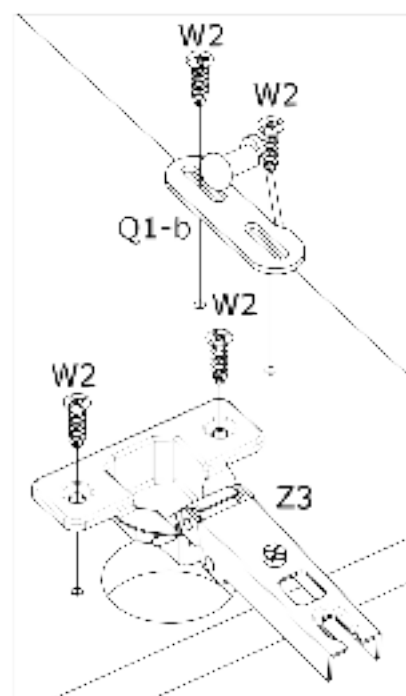
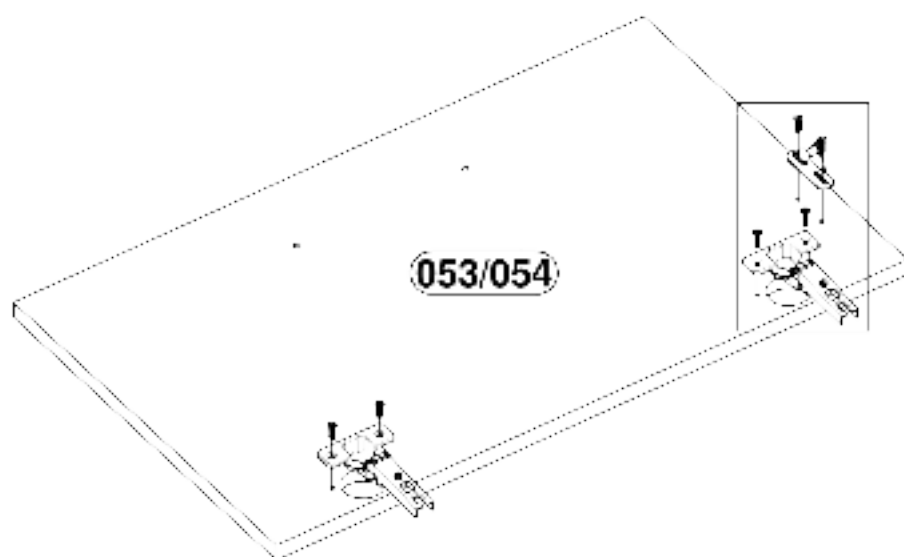


Ø3.5x6mm

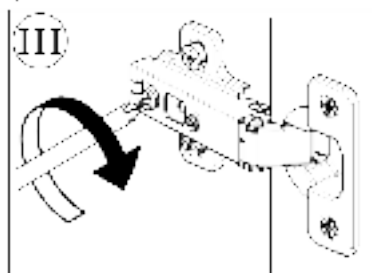
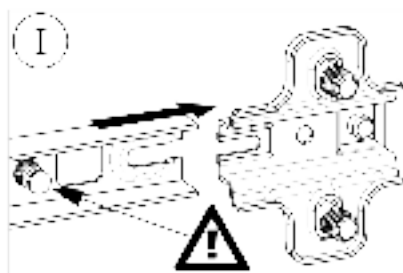
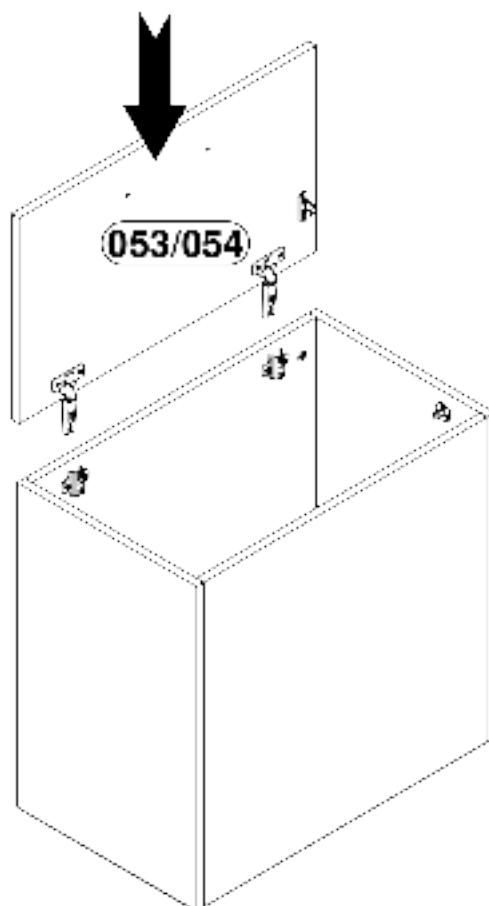
Z3x7



7x3x.2Kc



6



7

Q1-cx1

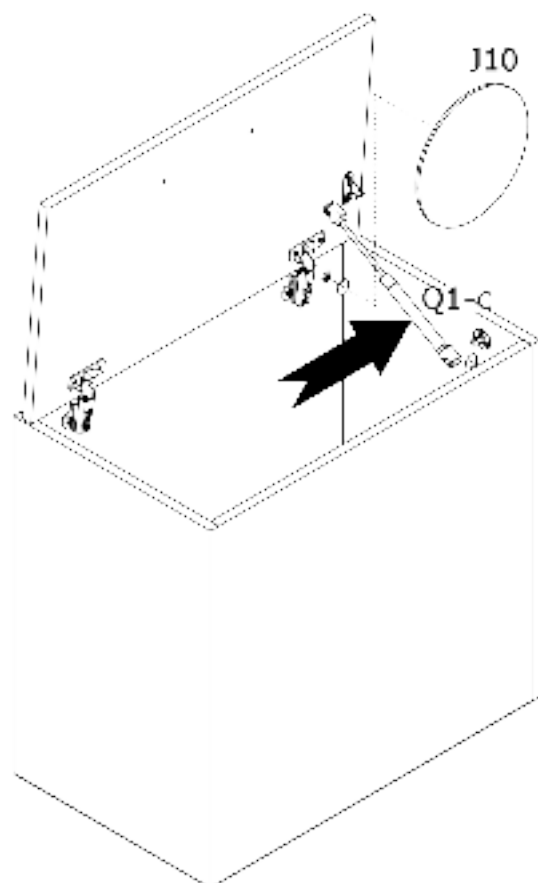


270mm

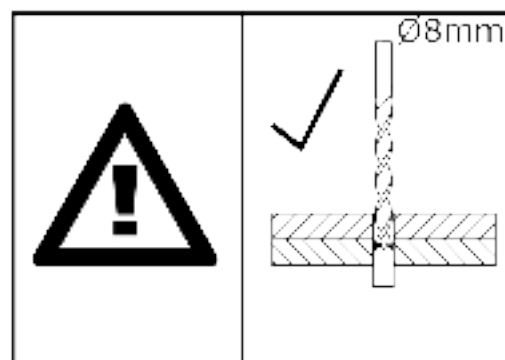
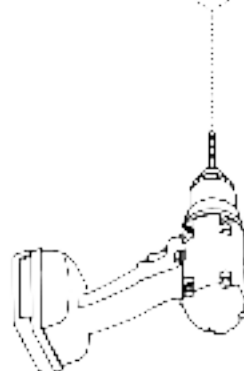
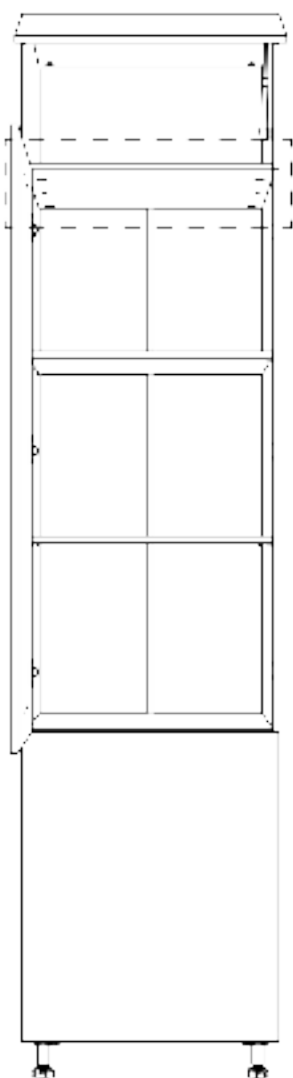
J10x8



Ø21mm



8

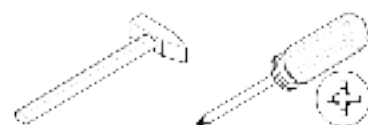
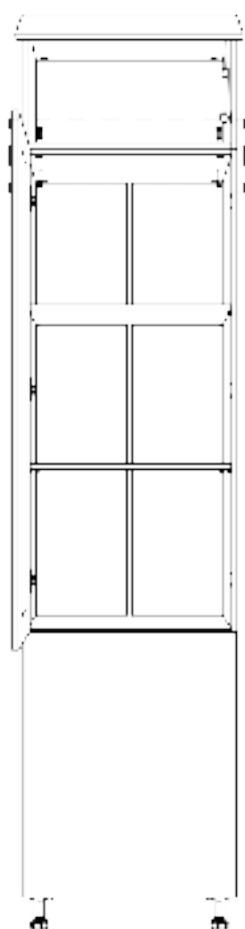


# 9

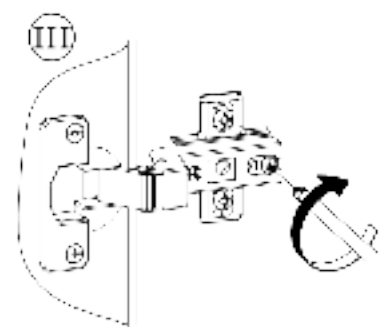
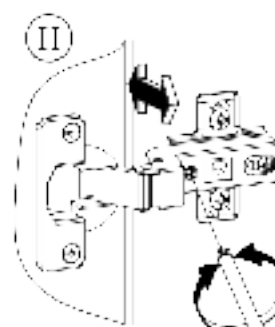
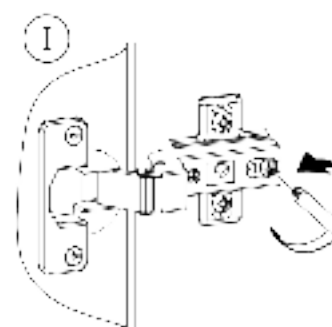
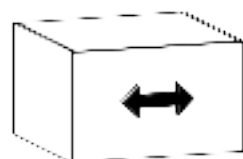
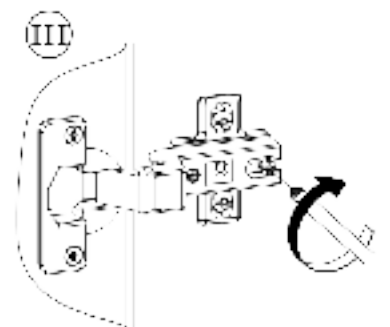
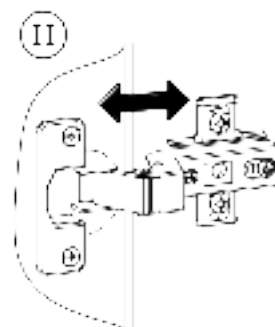
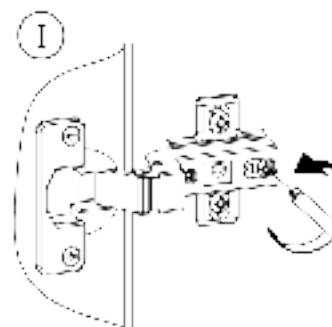
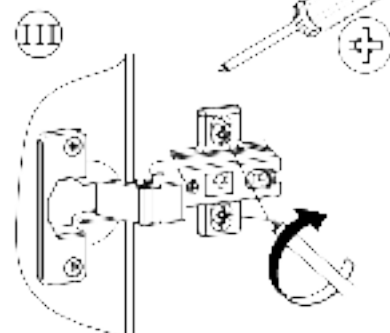
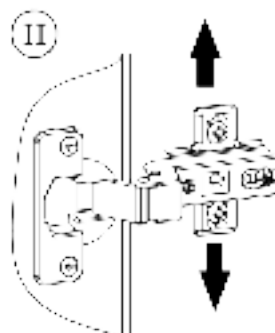
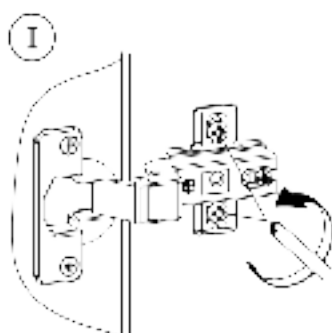
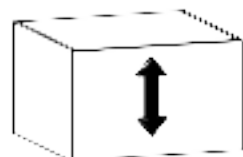
B6 x 2



Ø1.1x36mm



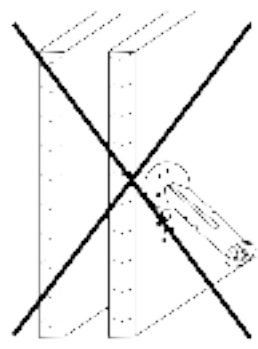
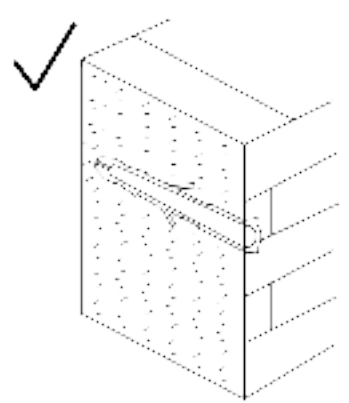
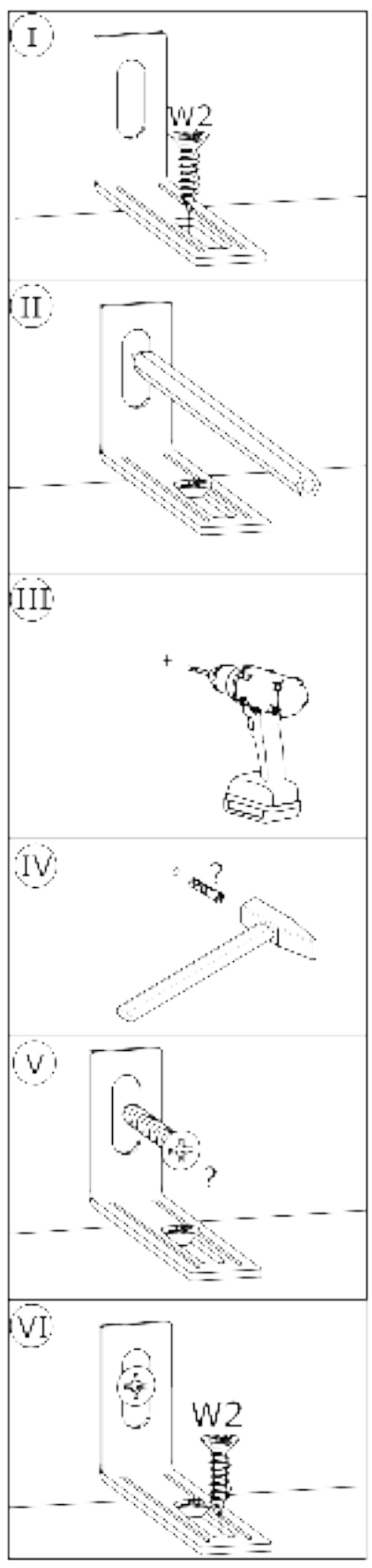
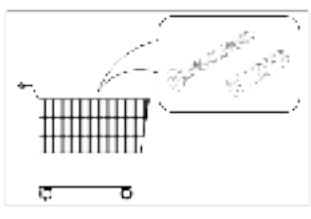
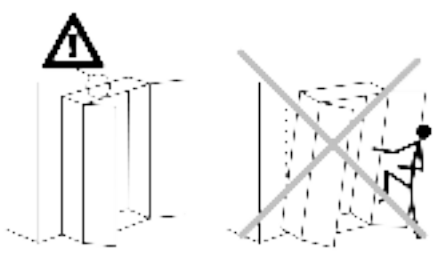
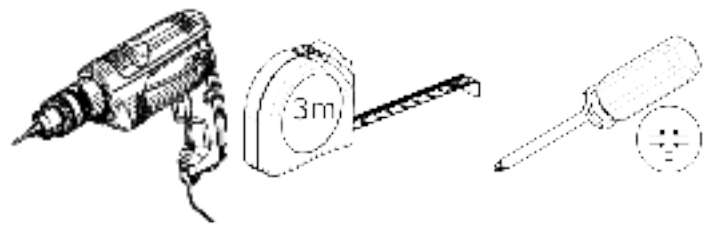
# 10



11

T4 x 1  
75x28x16 mm

W2 x 7  
33.5x16 mm



# ?

## A

## B

### A

I20 x

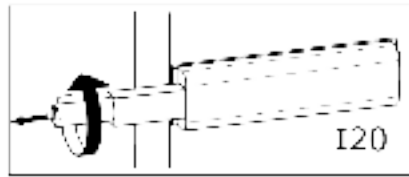


83x7 x 11 mm

W2 x



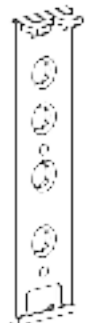
Ø5,5x15 mm



I20



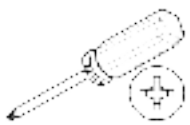
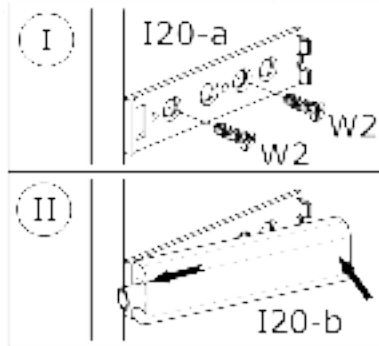
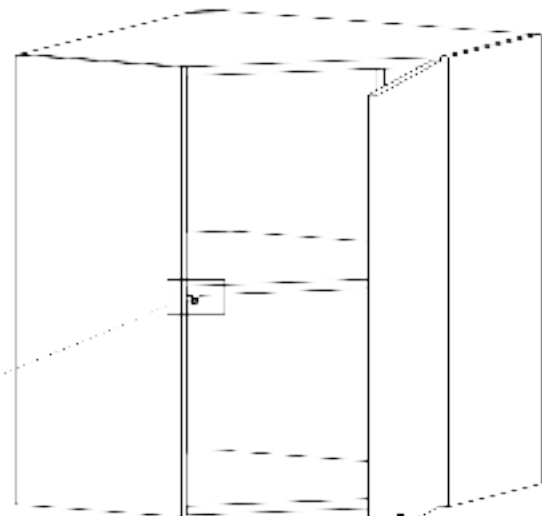
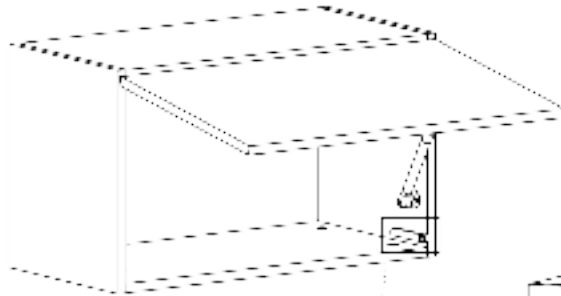
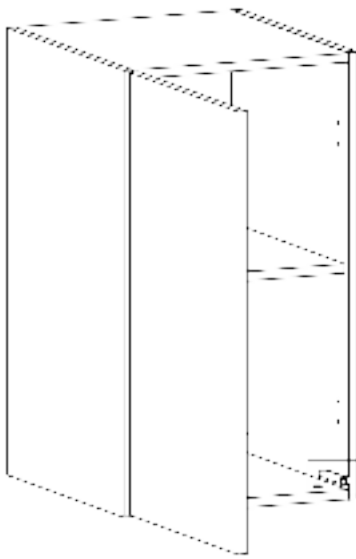
I20



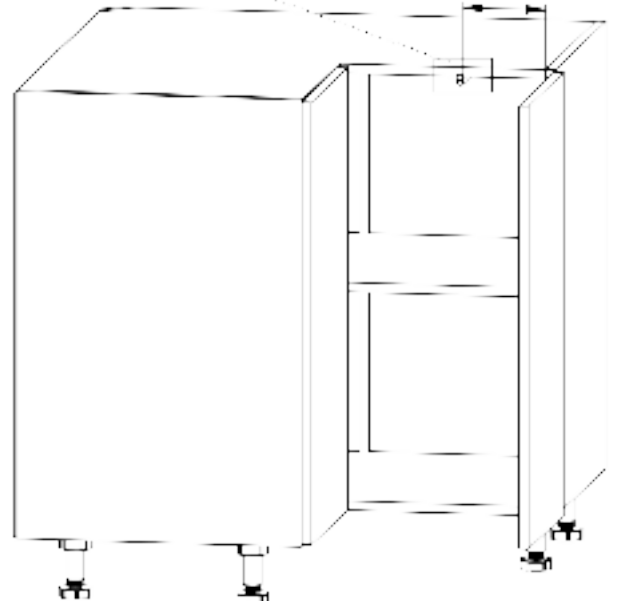
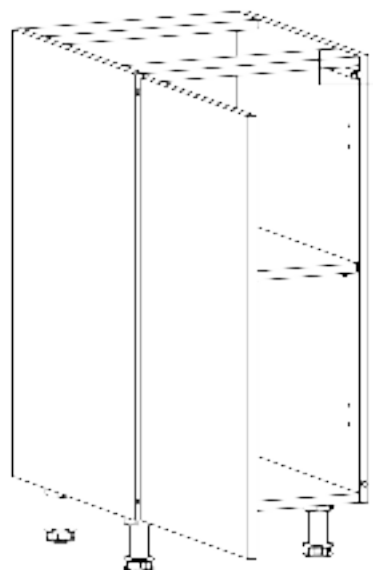
I20-a



I20-b



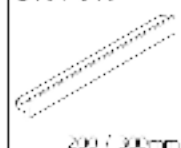
130 mm





**B**

U18 / U19



W5



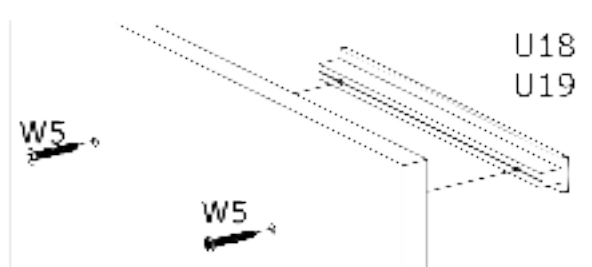
Y1



200 / 300mm

04x30mm

Ø9x1.8mm



U18  
U19

