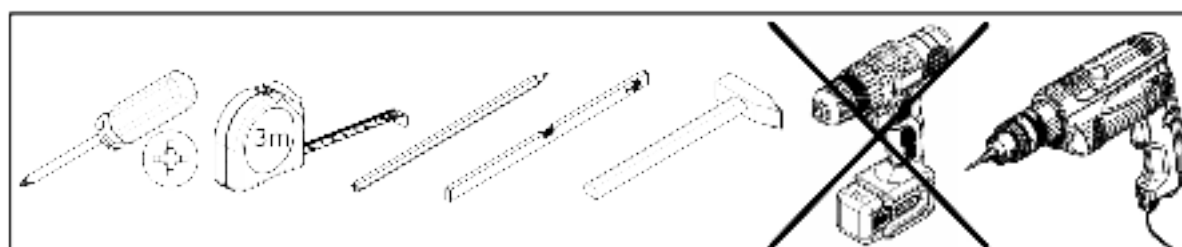
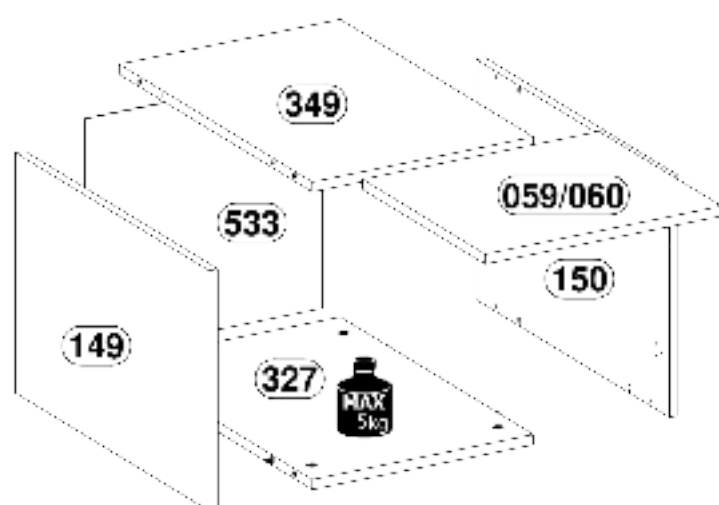
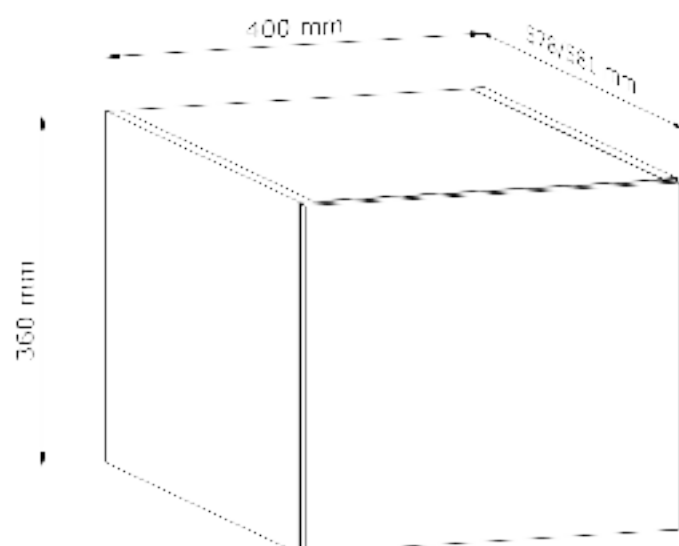


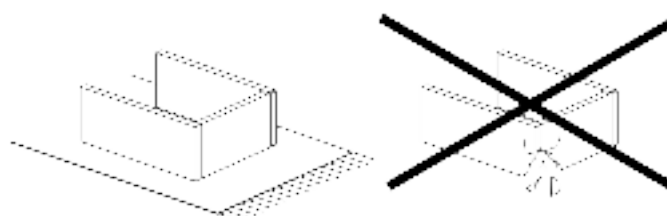
LANGEN

N40



A1 x 8 Ø8x35mm	B1 x 8 Ø5x38mm	B6 x 2 Ø14x36mm	C1 x 8 Ø15x12mm	G1 x 16 26mm
I20 x 1 83x21x11mm	J10 x 8 Ø21mm	Q1 x 1 270mm	T4 x 1 75x28x16 mm	U18 x 1 200mm
W2 x 13 Ø3,5x16mm	W5 x 2 Ø4x30mm	Y1 x 2 Ø6x1,5mm	Z1 x 2 50x40, H=2	Z3 x 2 Ø35, ZK0

No.	L [mm]	W [mm]	l [mm]	PCS	BOX
059/060	396	355	15x18	1	2/2
149	560	350	15	1	1/2
150	560	350	15	1	1/2
327	560	370	15	1	1/2
349	560	370	15	1	1/2
533	397	356	2,5	1	1/2



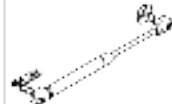
1

B1 x 8



Ø5x38mm

Q1 x 1

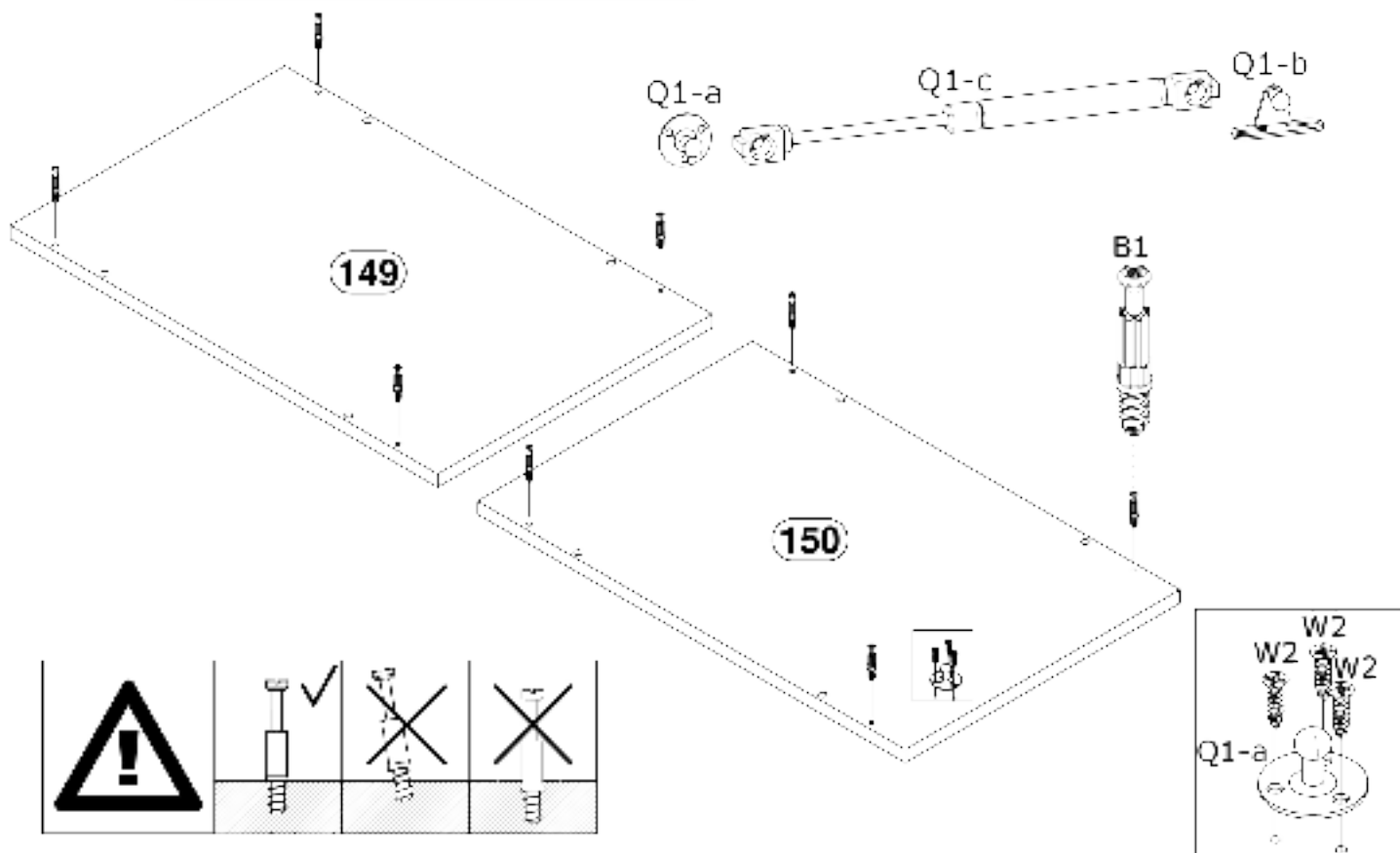


270mm

W2 x 3



Ø3.5x16mm



2

A1 x 8



Ø8x35mm

C1 x 8

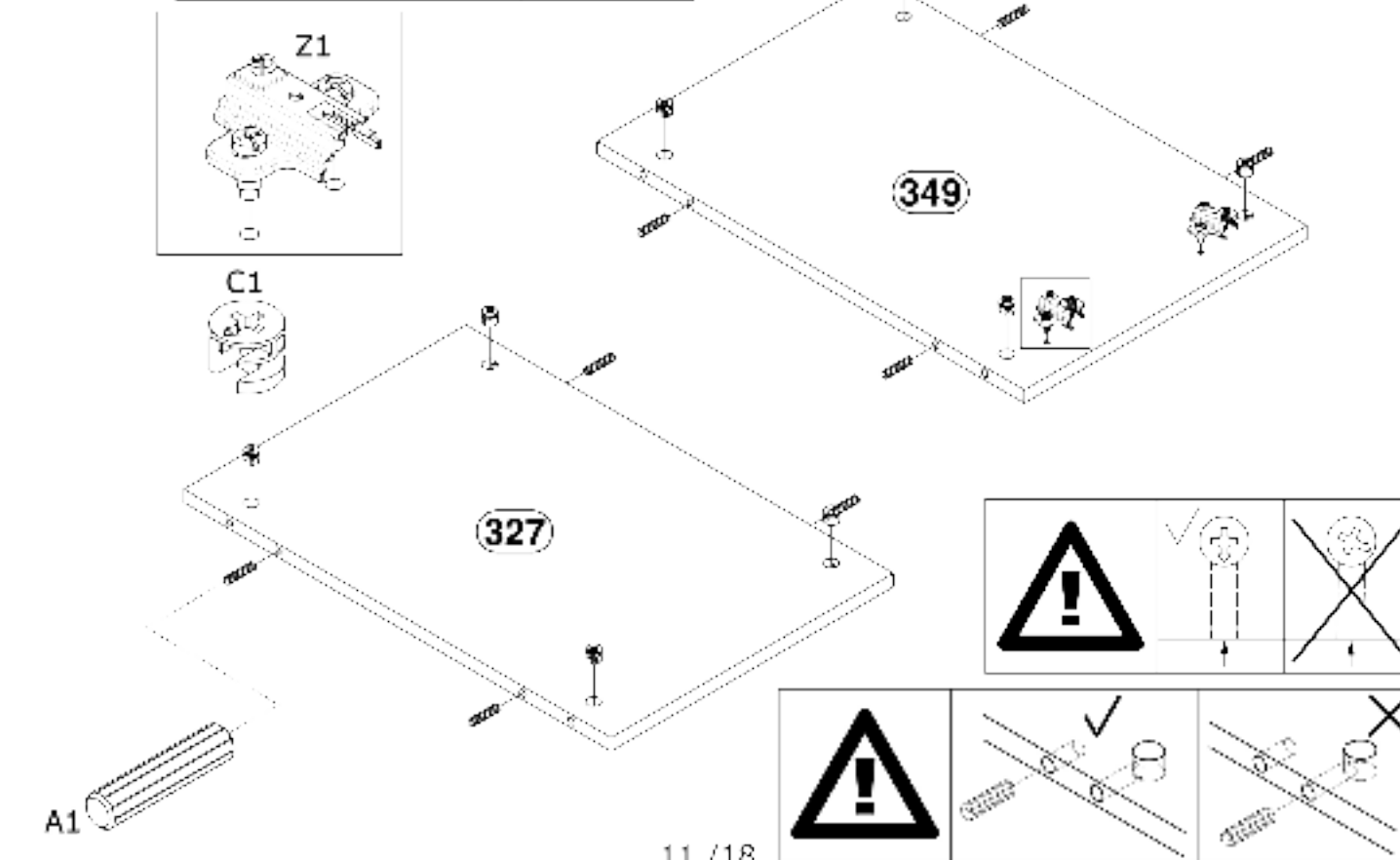
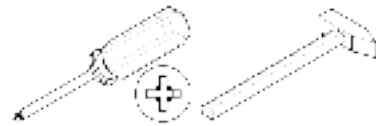


Ø15x12mm

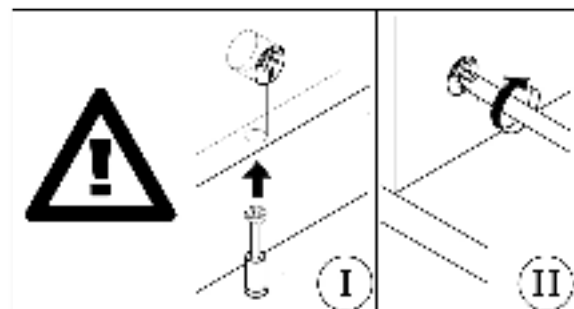
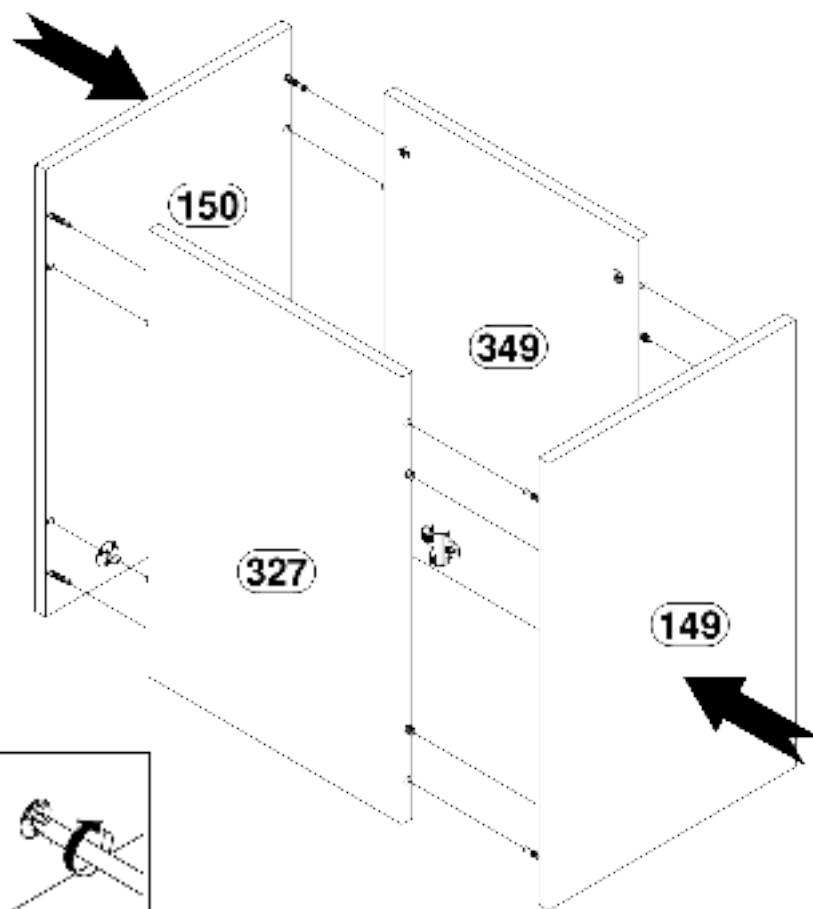
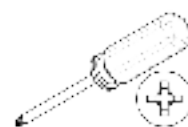
Z1 x 2



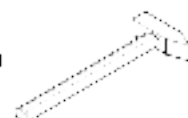
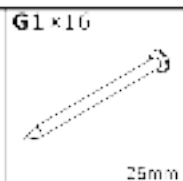
40x40, H=2



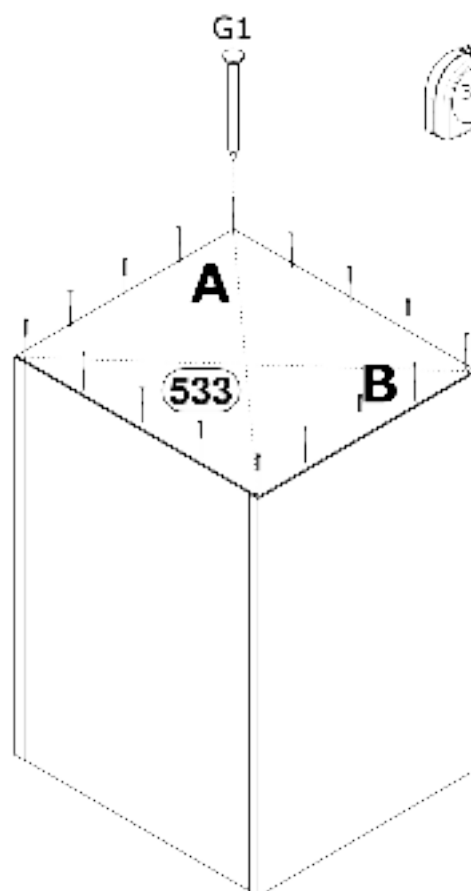
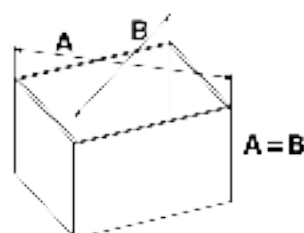
3



4



$A=B \equiv 90^\circ$



5

Q1-bx1



51mm

W2x6

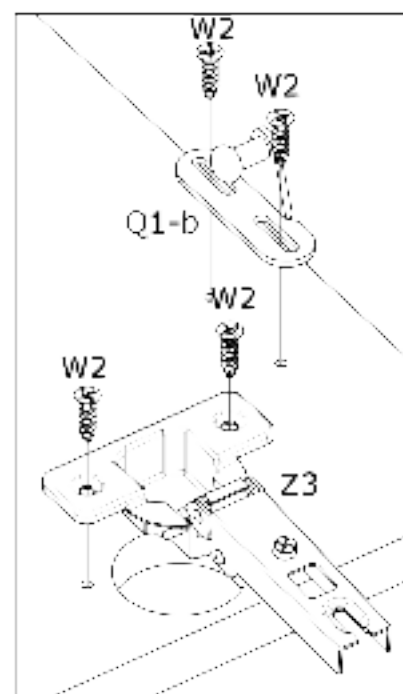
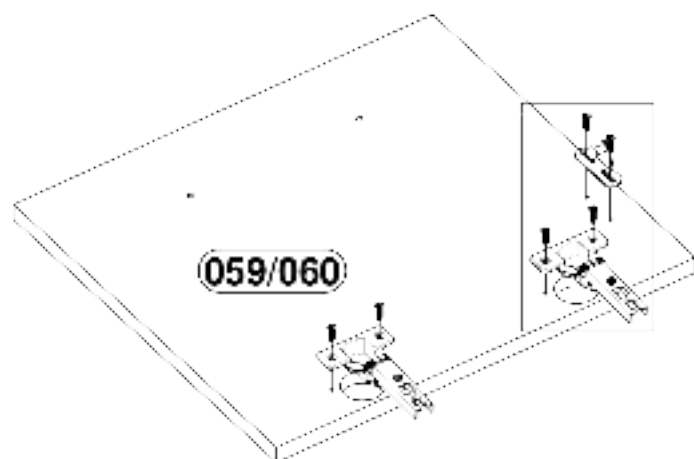


Ø3,5x16mm

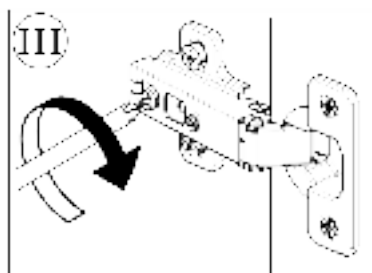
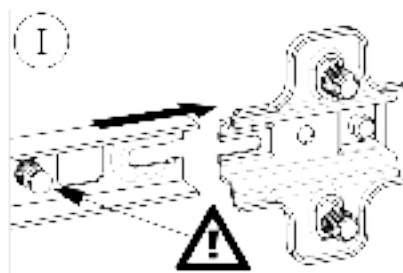
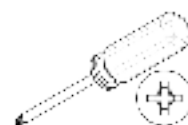
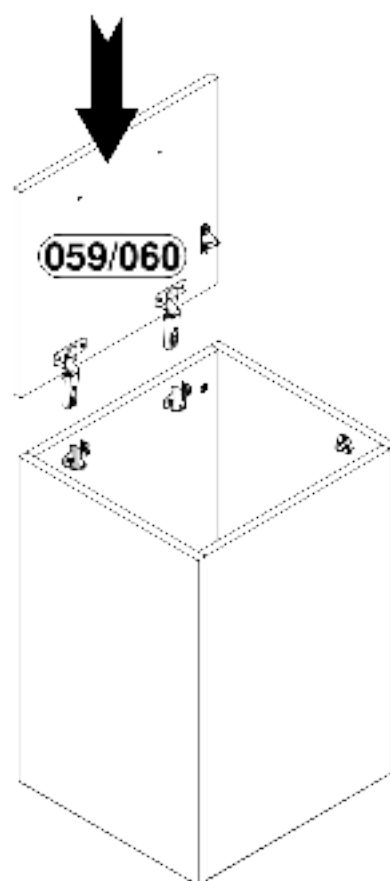
Z3x7



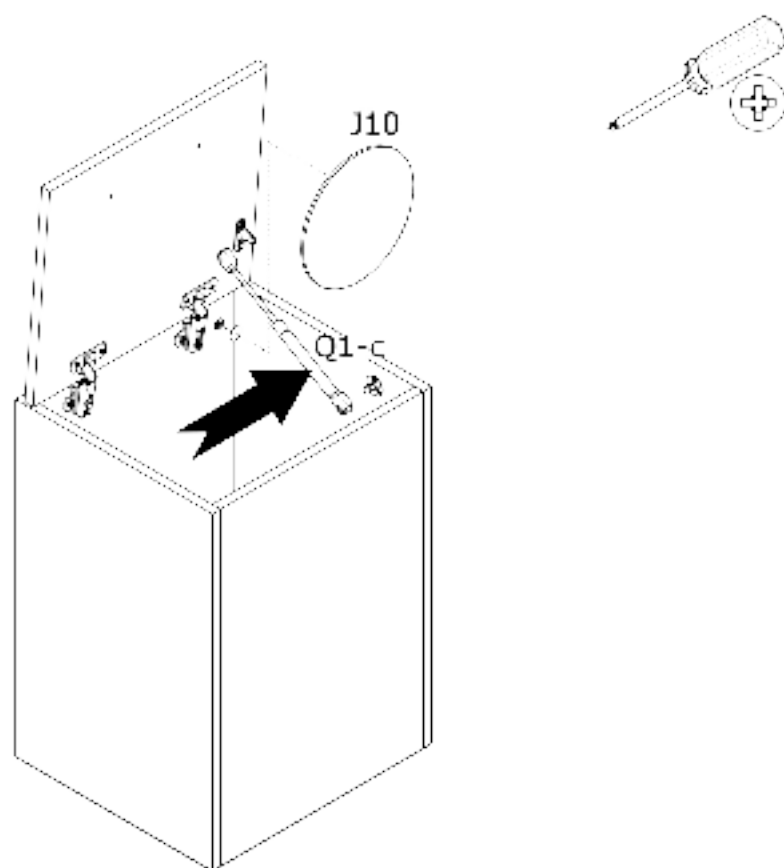
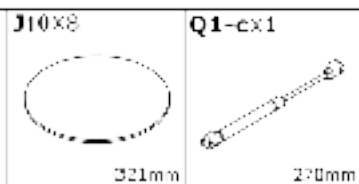
70x 2K



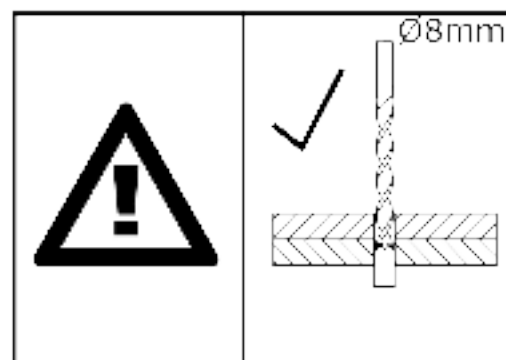
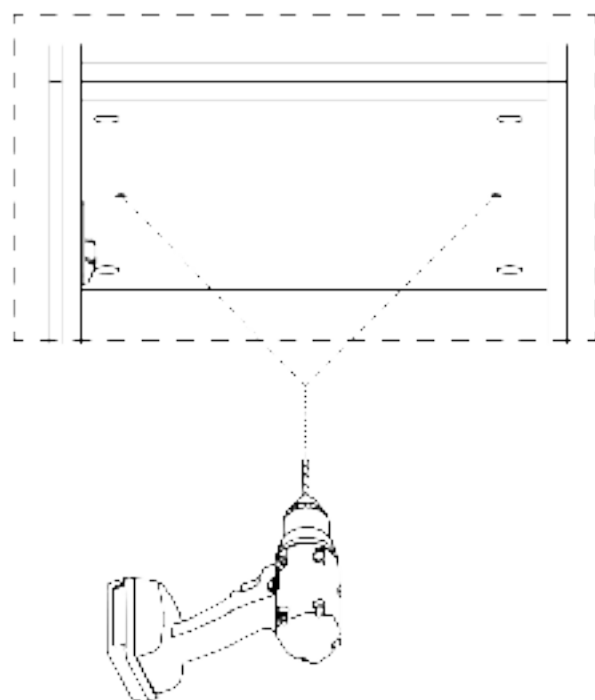
6



7



8

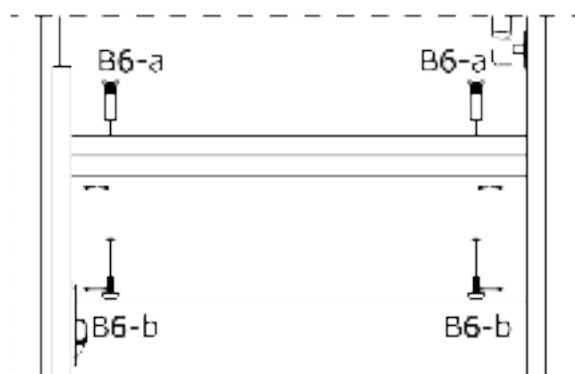
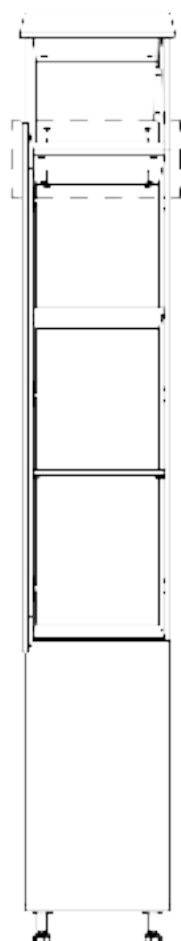


9

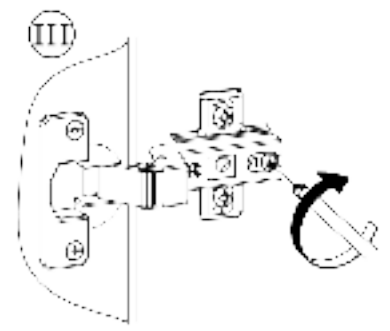
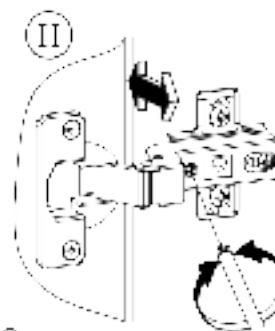
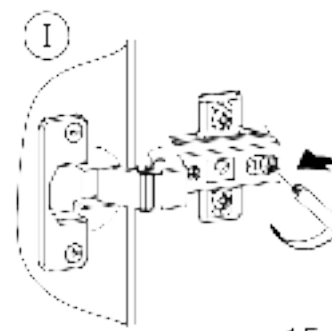
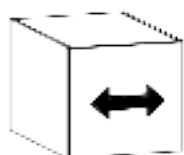
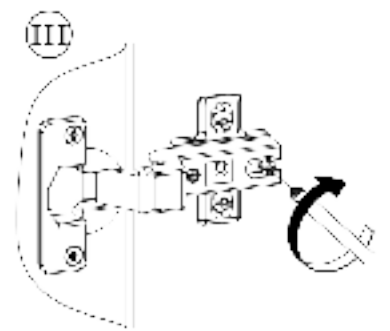
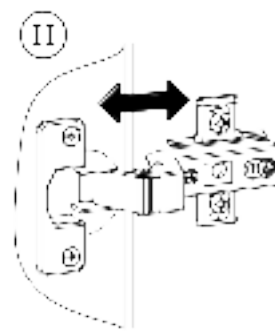
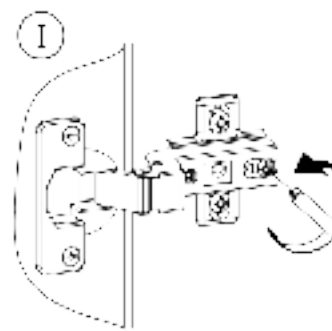
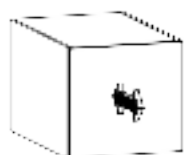
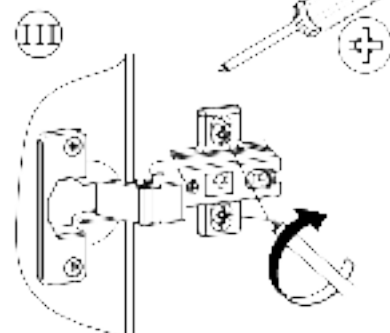
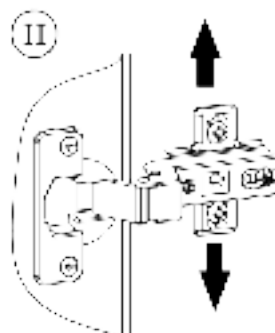
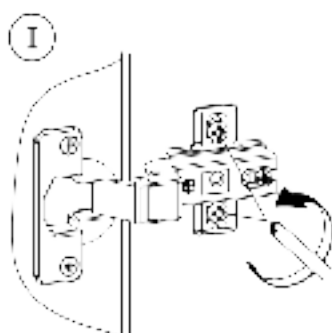
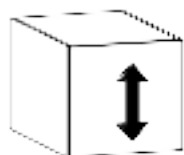
B6 x 2



Ø1.1x36mm

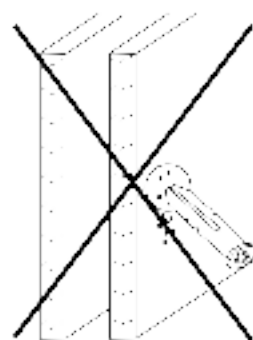
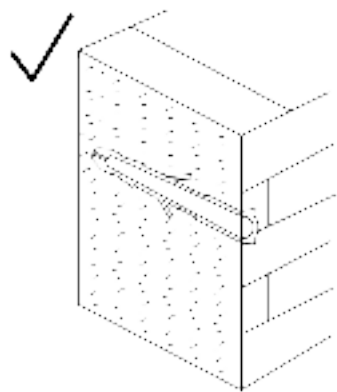
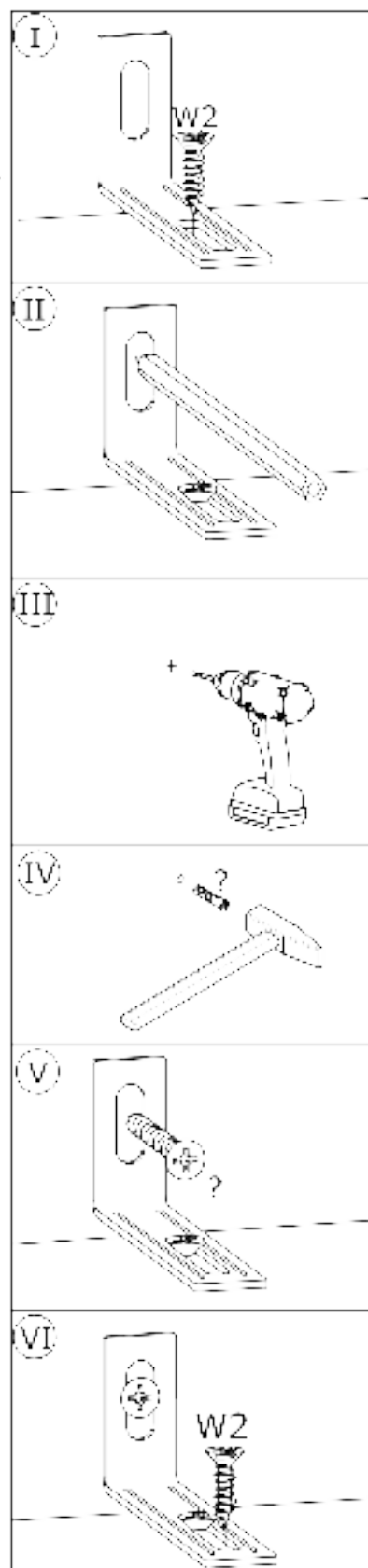
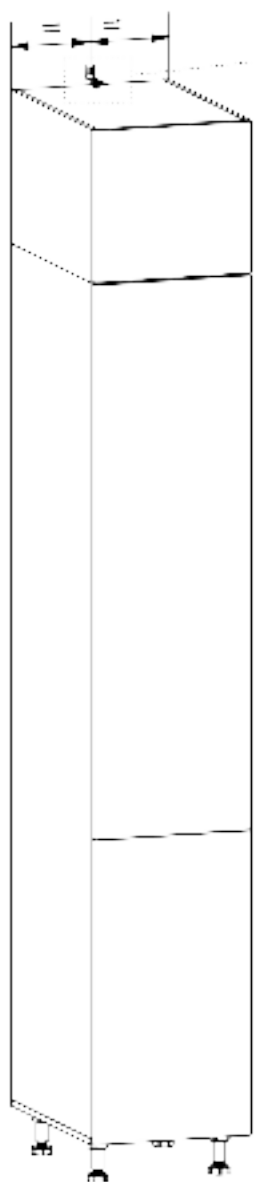
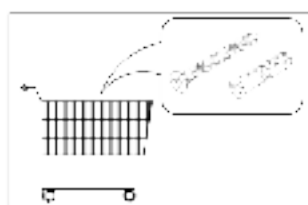
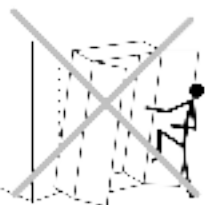
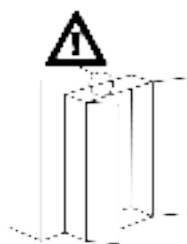
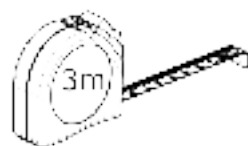
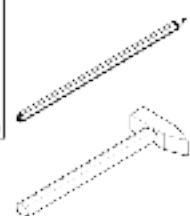


10



11

T4 x 1 W2 x 7
75x28x16 mm Ø3.9x16 mm



?

A

B

A

I20 x

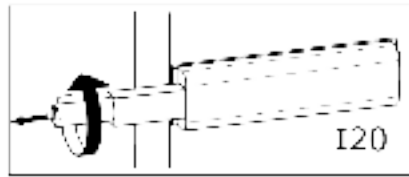


83x7 x11mm

W2 x



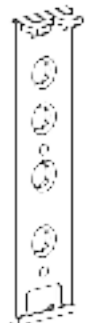
Ø5,5x15mm



I20



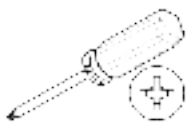
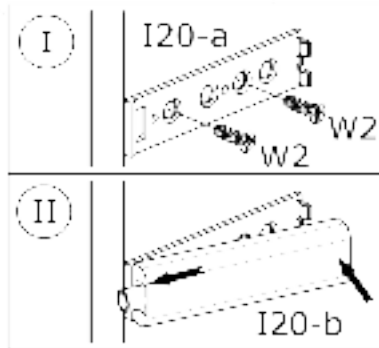
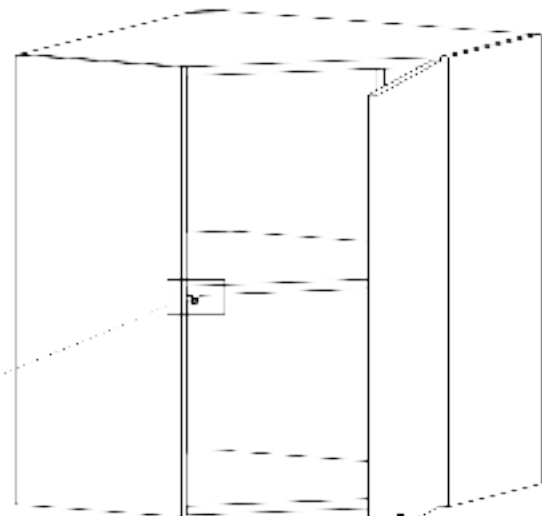
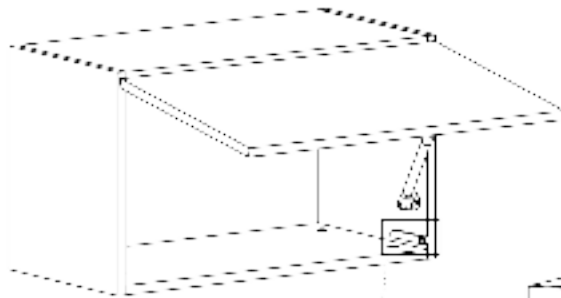
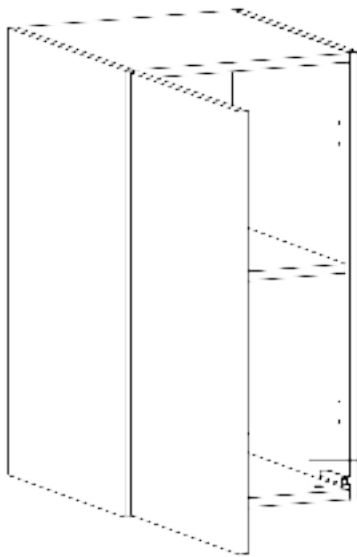
I20



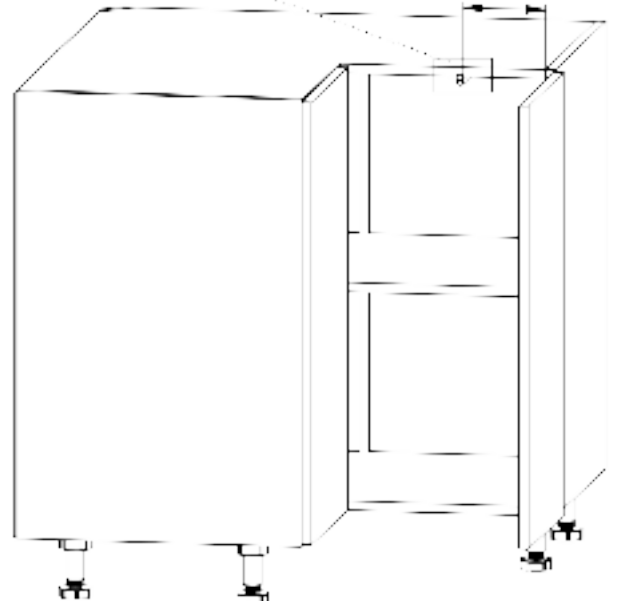
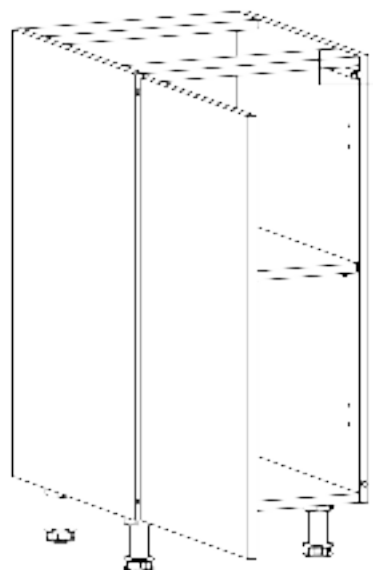
I20-a



I20-b

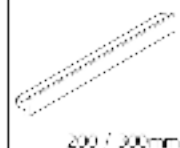


130 mm

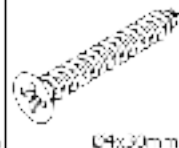


B

U18 / U19



W5



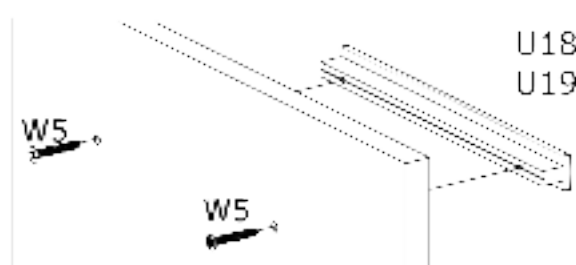
Y1



200 / 300mm

04x30mm

Ø9x1.5mm



U18

U19

