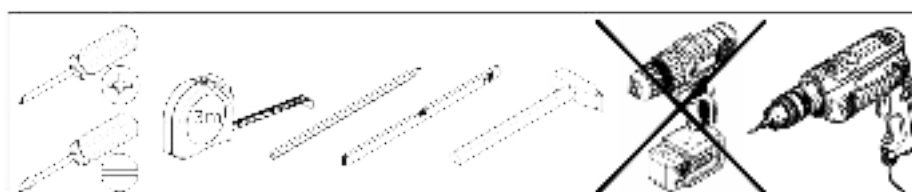
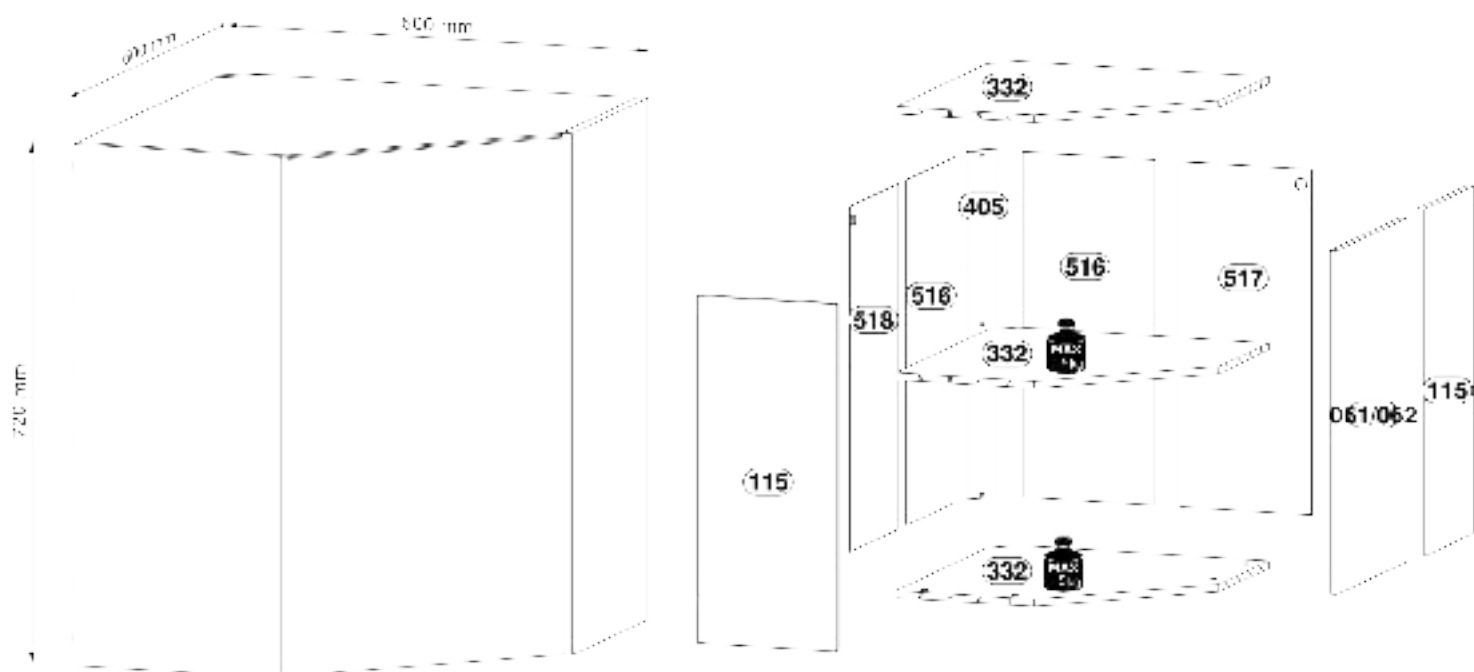









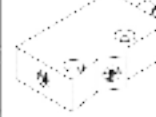








LANGEN

G60N



A1 x12  28x15mm	B1 x12  Ø6x38mm	C1 x12  31x12mm	G1 x56  26mm	H4 x2  Ø71mm																																																
I20 x1  8.1x71x11mm	J10 x12  Ø21mm	K1 x3  Ø6.4x50mm	N2 x1  7mm x 6.8	O1 x2  7x19x19mm																																																
O5 x2  7x47x8mm	U18 x1  20mm	W2 x6  Ø3.5x16mm	W5 x6  Ø4x30mm	Y1 x2  Ø8x1.5mm																																																
Z9 x2  Ø85 mm, 45°	<table border="1"> <thead> <tr> <th>No.</th> <th>L [mm]</th> <th>H [mm]</th> <th>H₁ [mm]</th> <th>PCS</th> <th>BOX</th> </tr> </thead> <tbody> <tr> <td>061062</td> <td>410</td> <td>713</td> <td>15x15</td> <td>1</td> <td>2/2</td> </tr> <tr> <td>115</td> <td>720</td> <td>235</td> <td>15</td> <td>2</td> <td>1/2</td> </tr> <tr> <td>332</td> <td>505</td> <td>505</td> <td>15</td> <td>3</td> <td>1/2</td> </tr> <tr> <td>405</td> <td>720</td> <td>73</td> <td>15</td> <td>1</td> <td>1/2</td> </tr> <tr> <td>516</td> <td>716</td> <td>283</td> <td>2.5</td> <td>2</td> <td>1/2</td> </tr> <tr> <td>517</td> <td>716</td> <td>283</td> <td>2.5</td> <td>1</td> <td>1/2</td> </tr> <tr> <td>518</td> <td>716</td> <td>283</td> <td>2.5</td> <td>1</td> <td>1/2</td> </tr> </tbody> </table>				No.	L [mm]	H [mm]	H ₁ [mm]	PCS	BOX	061062	410	713	15x15	1	2/2	115	720	235	15	2	1/2	332	505	505	15	3	1/2	405	720	73	15	1	1/2	516	716	283	2.5	2	1/2	517	716	283	2.5	1	1/2	518	716	283	2.5	1	1/2
No.	L [mm]	H [mm]	H ₁ [mm]	PCS	BOX																																															
061062	410	713	15x15	1	2/2																																															
115	720	235	15	2	1/2																																															
332	505	505	15	3	1/2																																															
405	720	73	15	1	1/2																																															
516	716	283	2.5	2	1/2																																															
517	716	283	2.5	1	1/2																																															
518	716	283	2.5	1	1/2																																															

1

B1 x 12



Ø5x38mm

O1 x 2

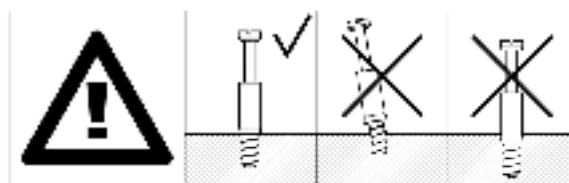
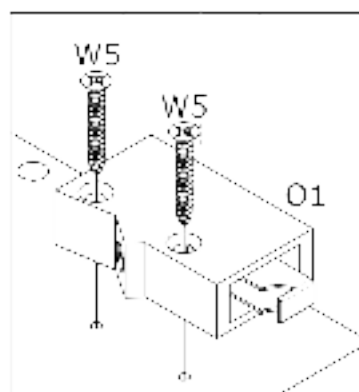
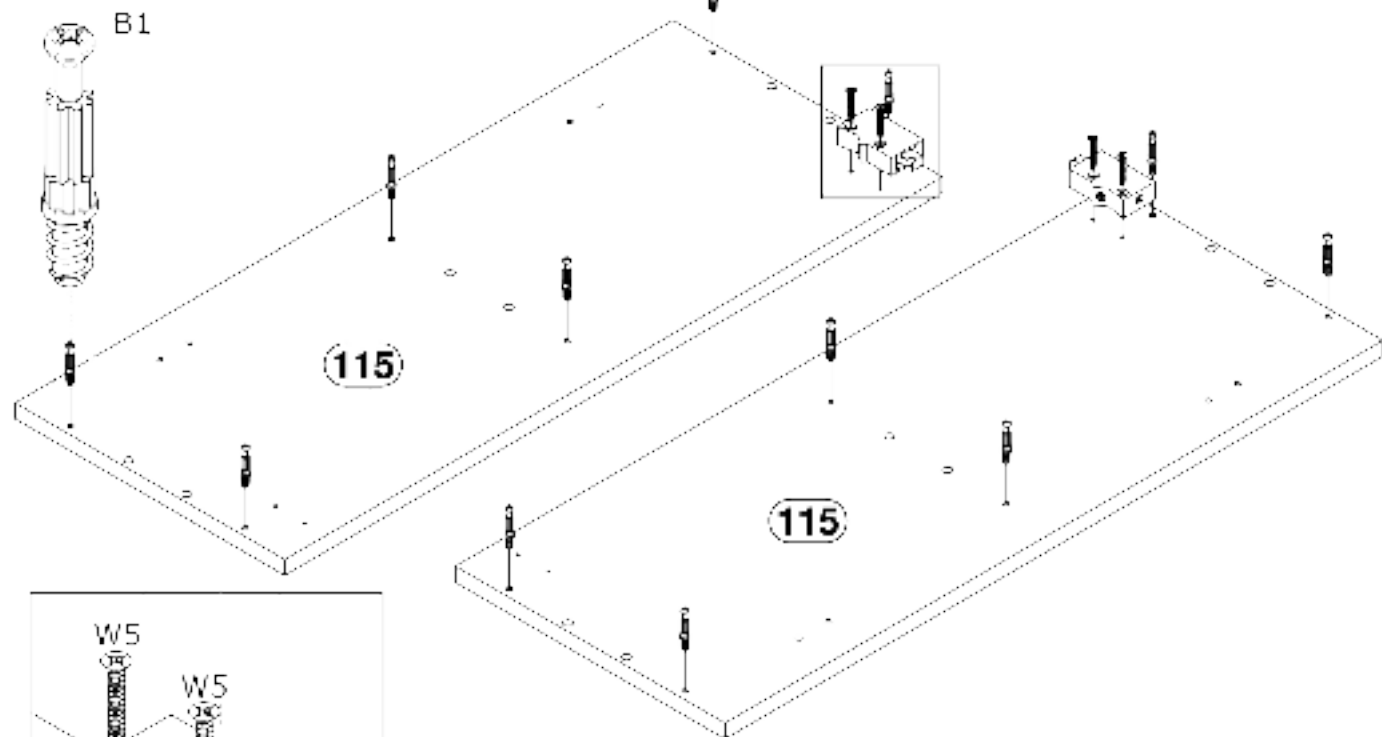


70x39x10mm

W5 x 4



Ø4x30mm



2

A1 x 12

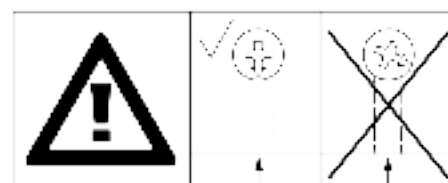
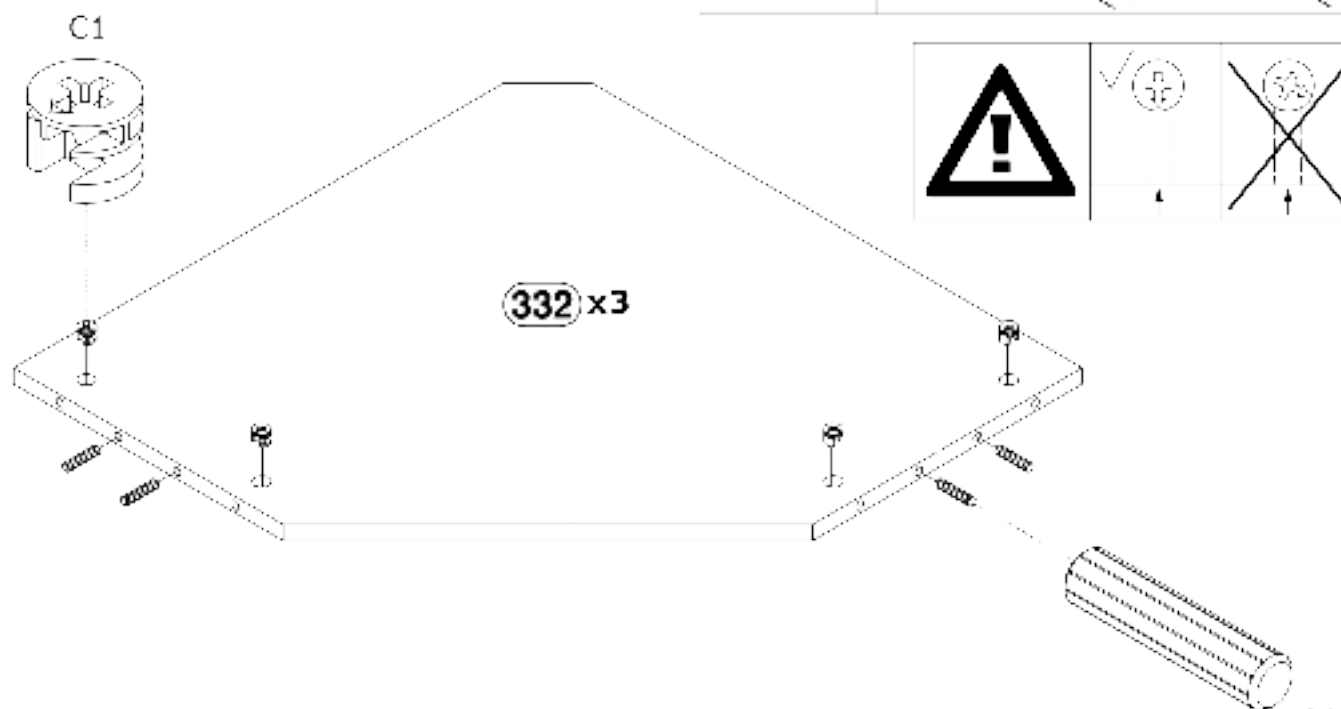
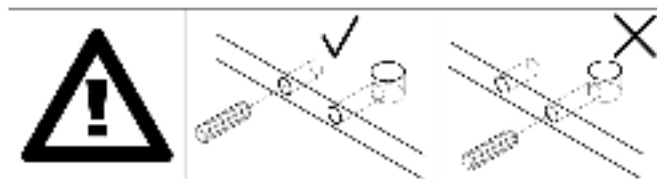


Ø8x35mm

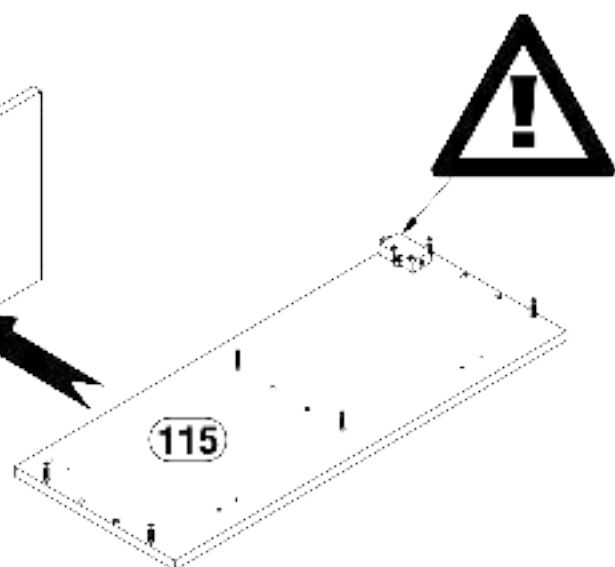
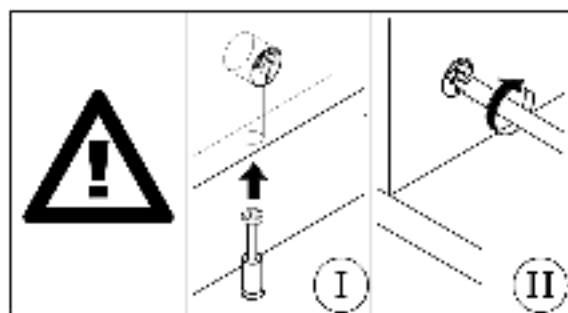
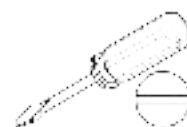
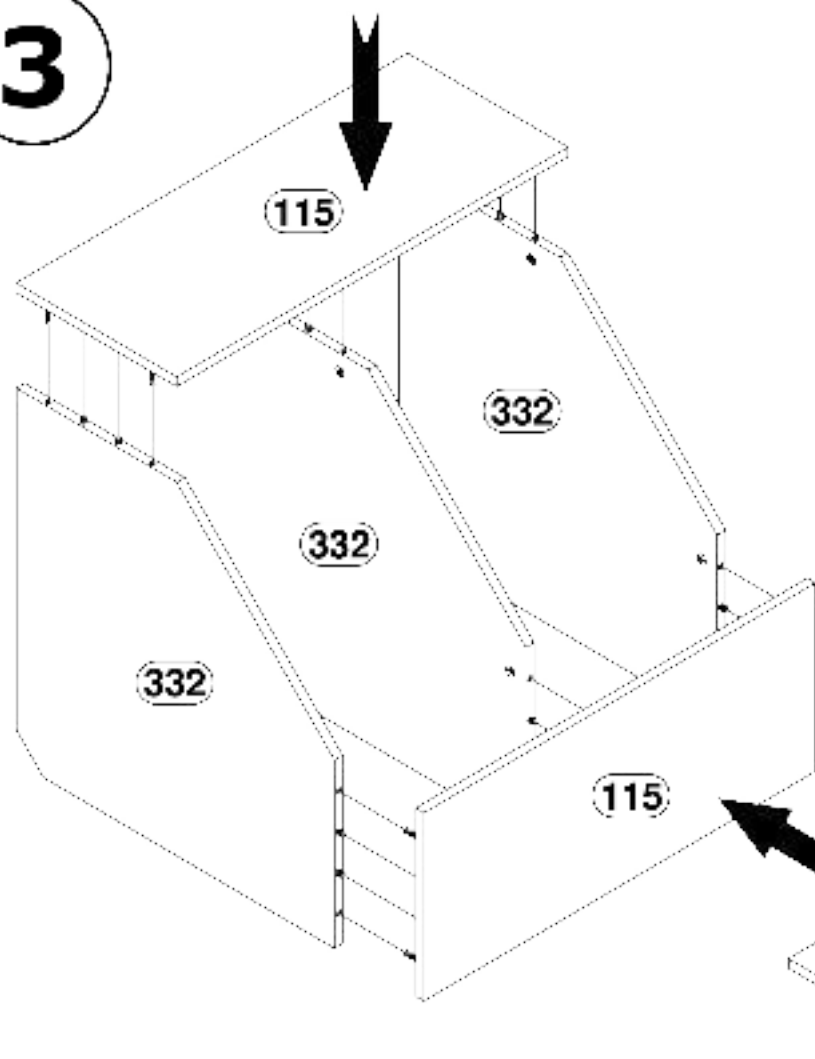
C1 x 12



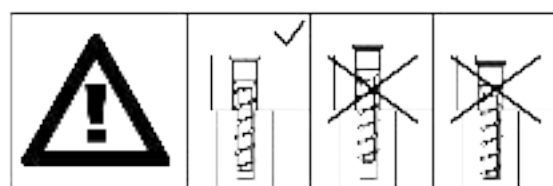
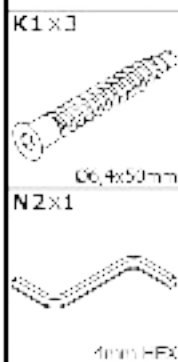
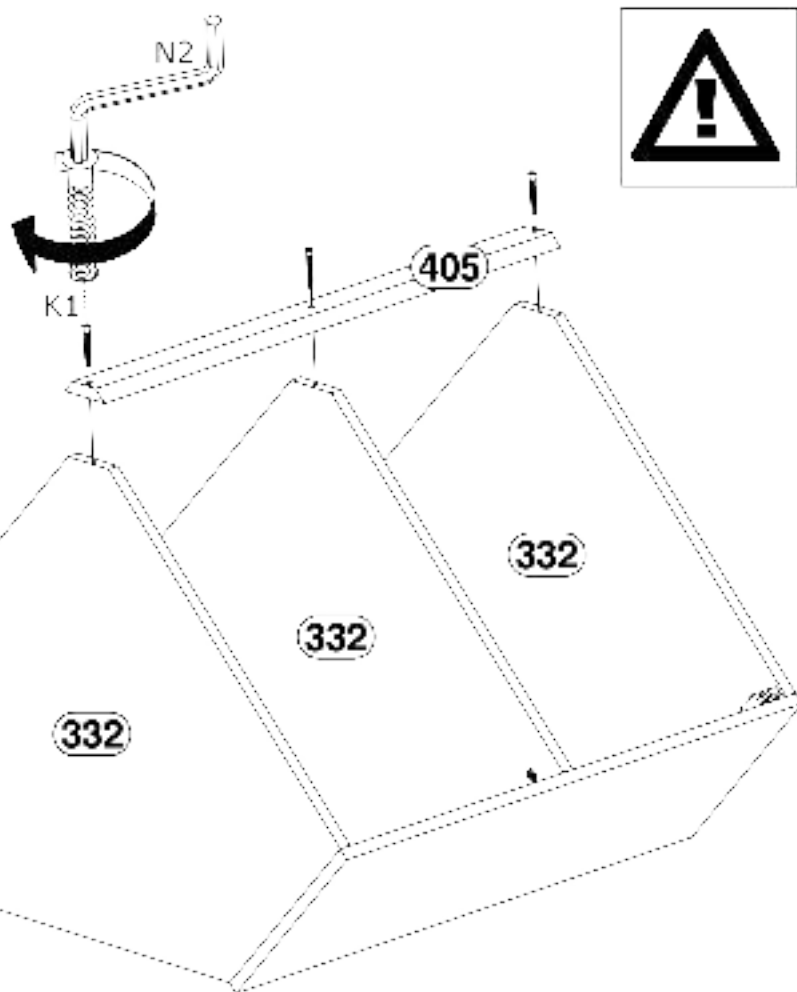
Ø15x12mm



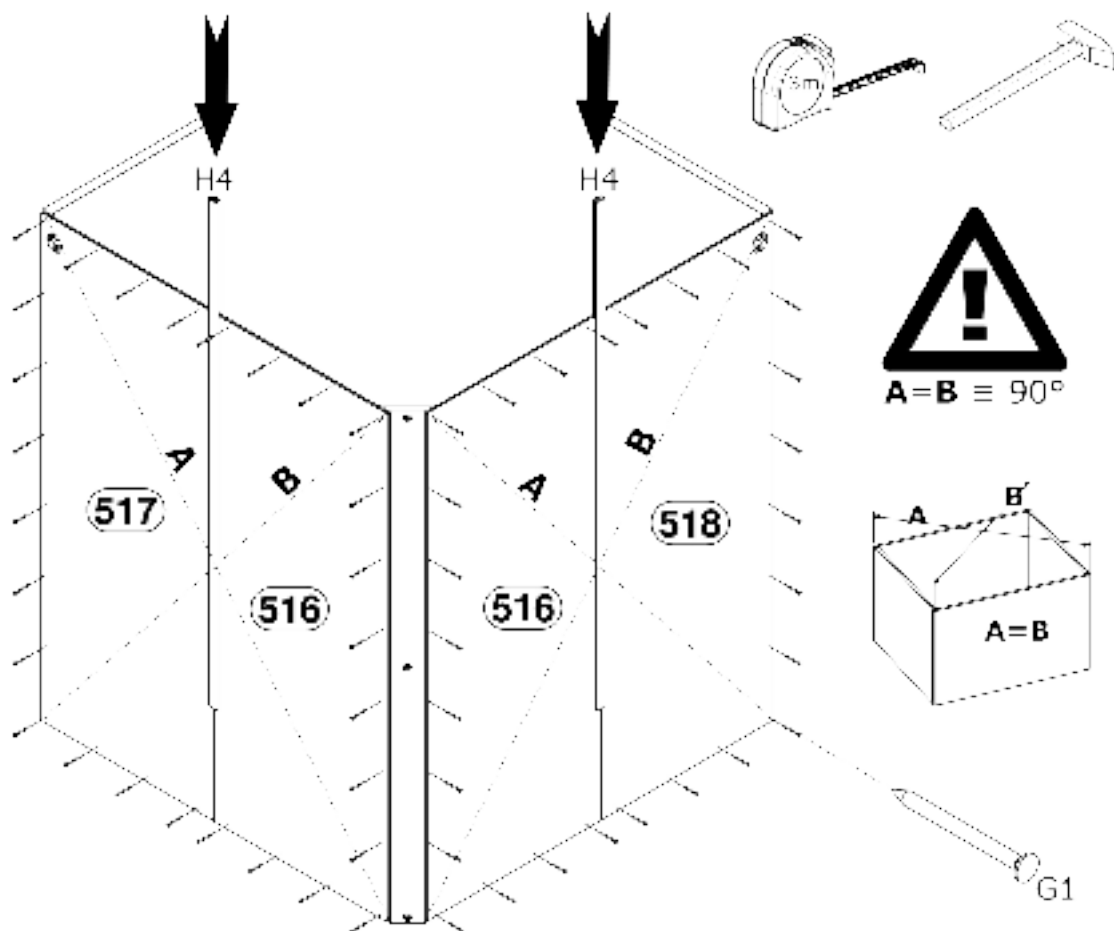
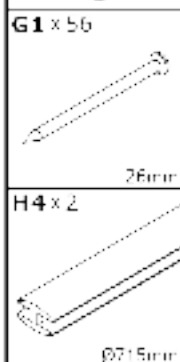
3



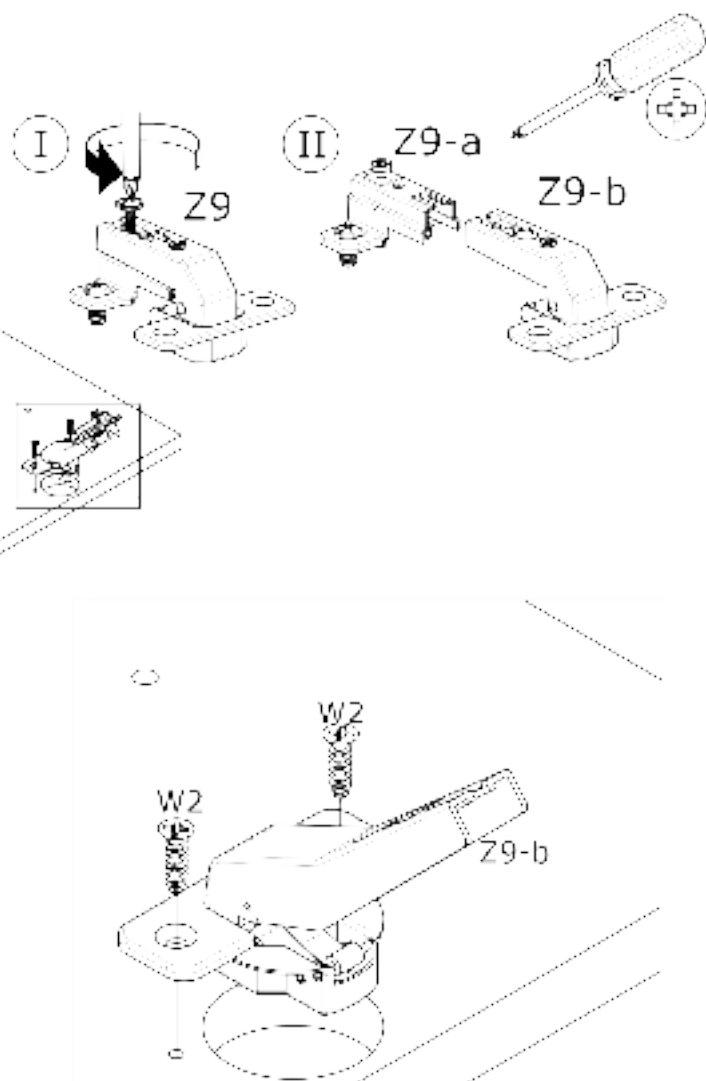
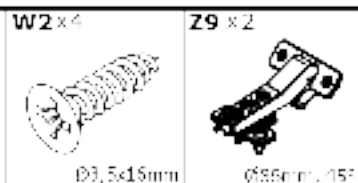
4



5

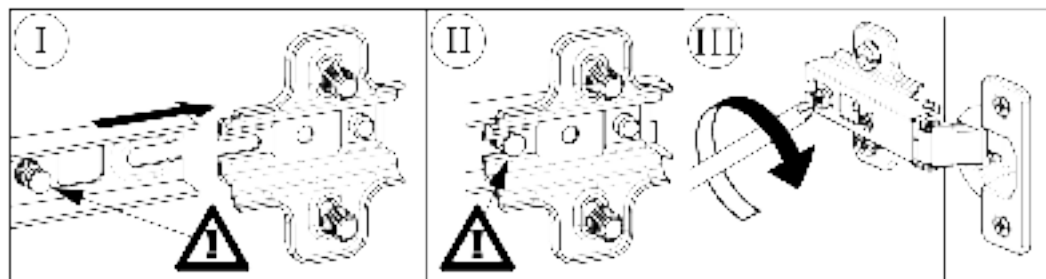
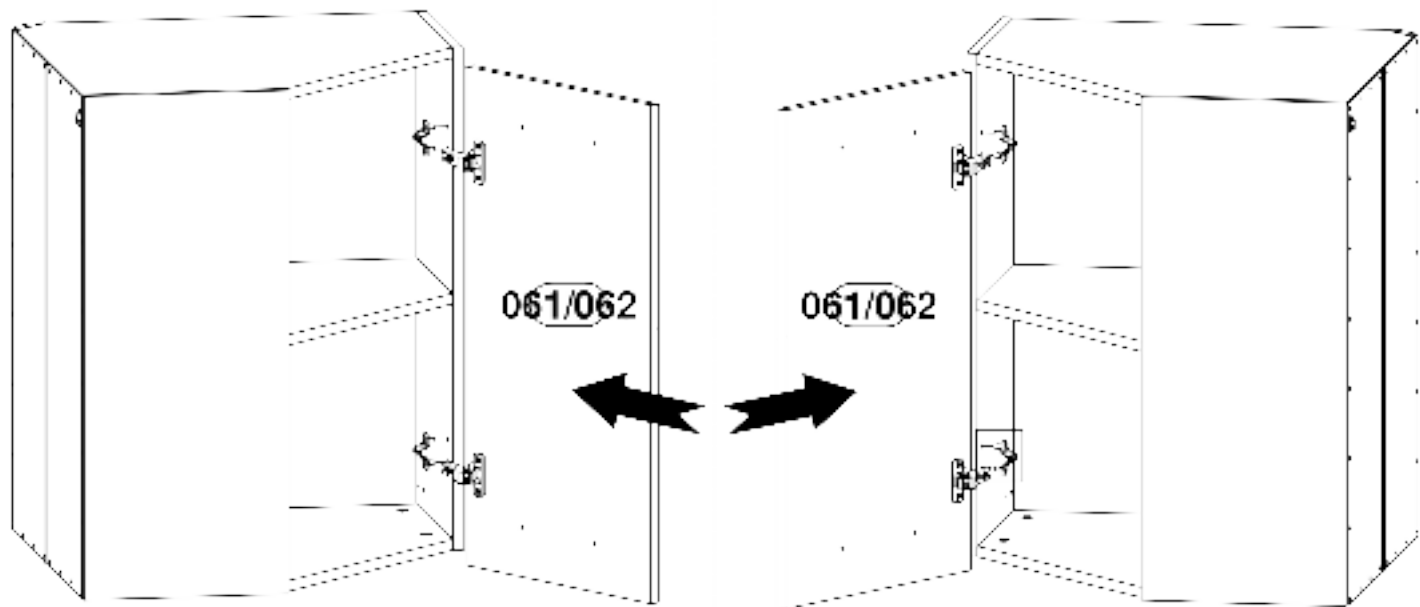
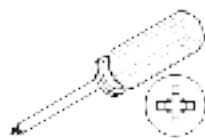
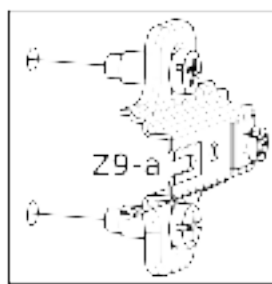


6



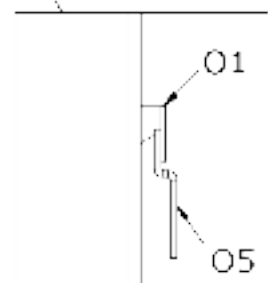
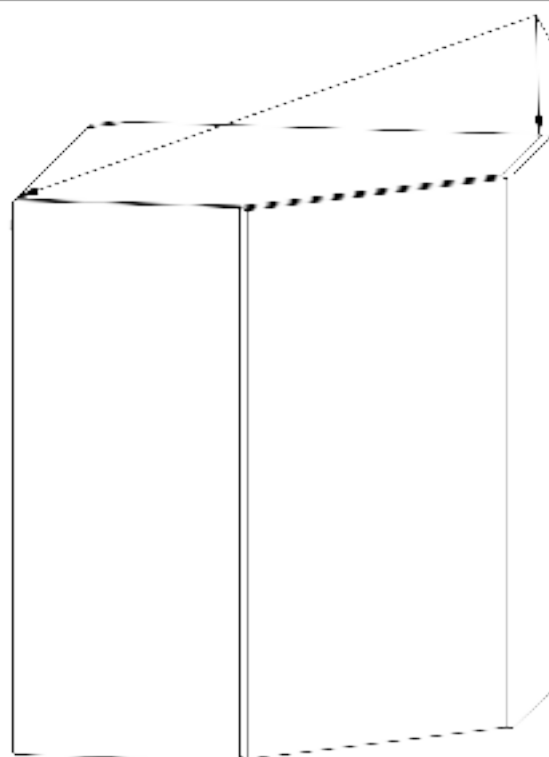
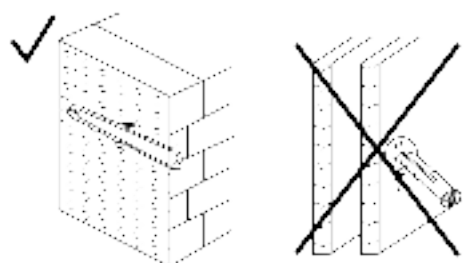
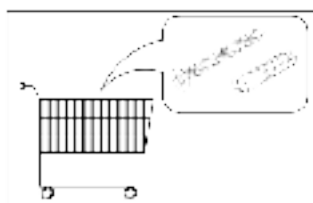
7

Z9-a x 2
50x40, H=2



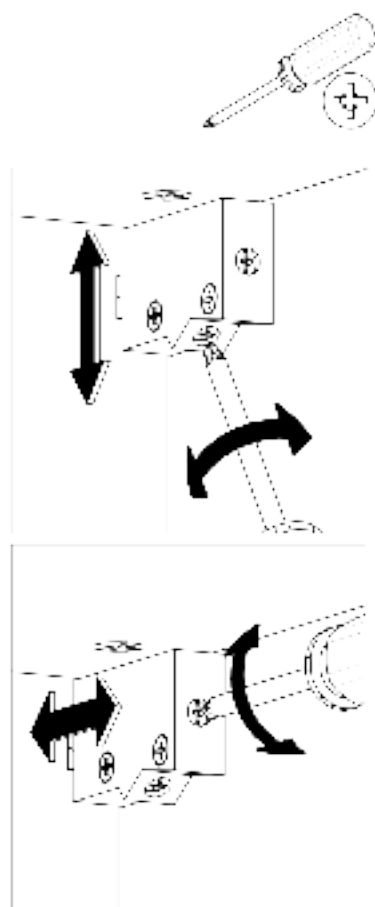
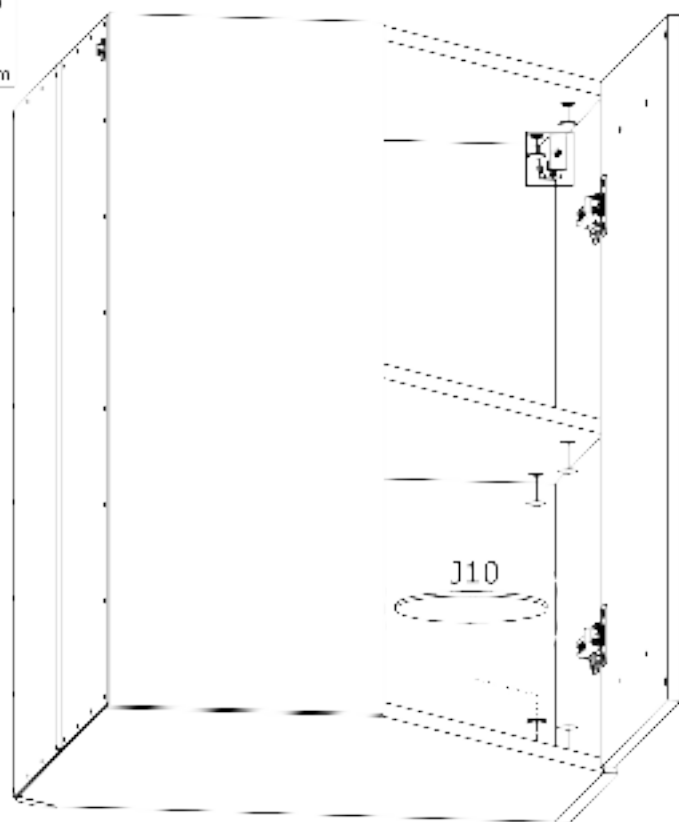
8

O5 x 2
76x32x5mm

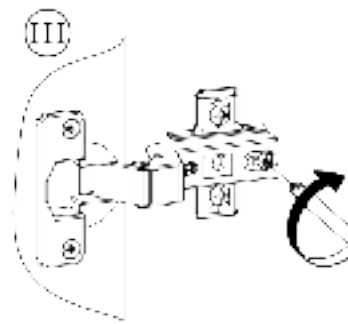
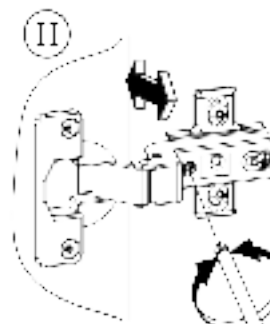
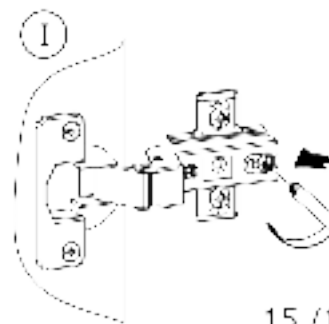
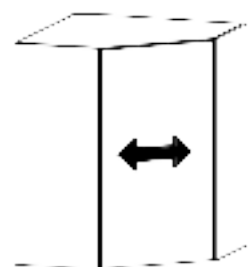
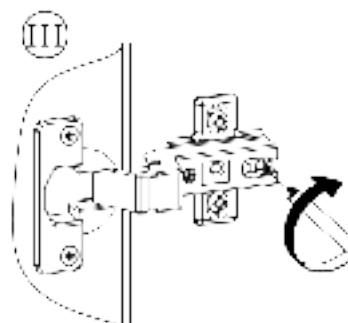
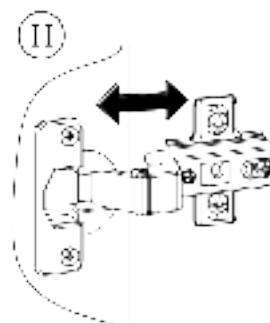
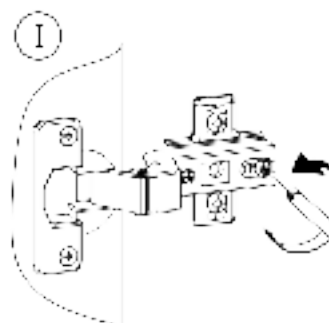
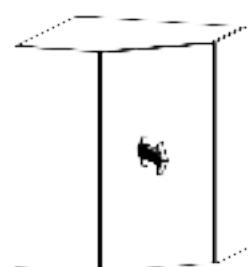
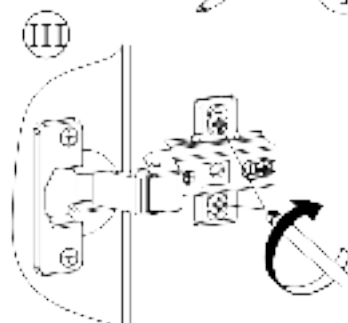
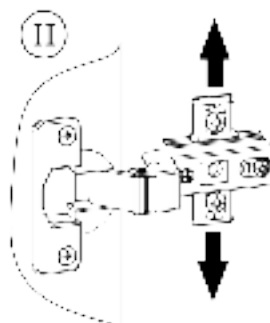
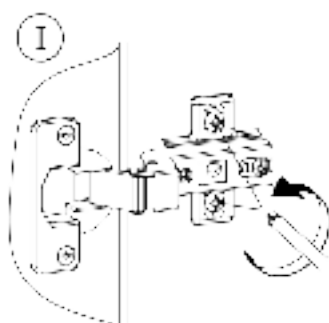
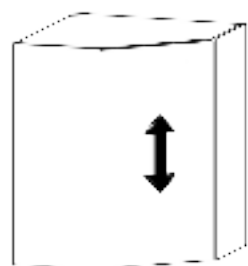


9

Ø10x17
Ø21mm



10



?

A

B

A

I20 x

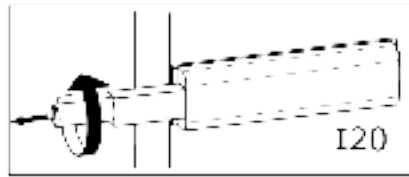


83x7 x 11 mm

W2 x



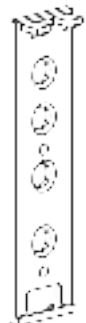
Ø5,5x15 mm



I20



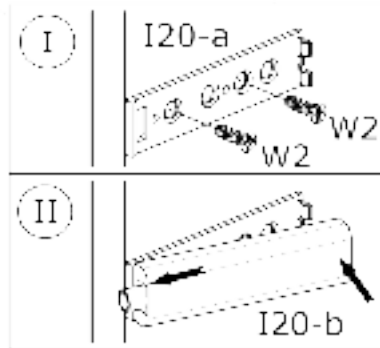
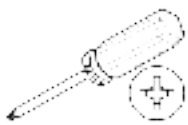
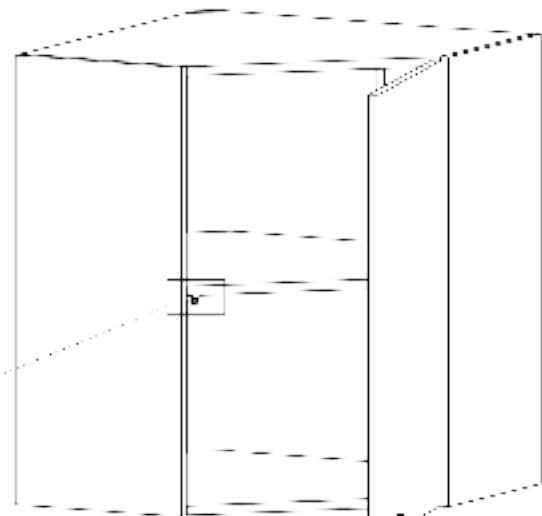
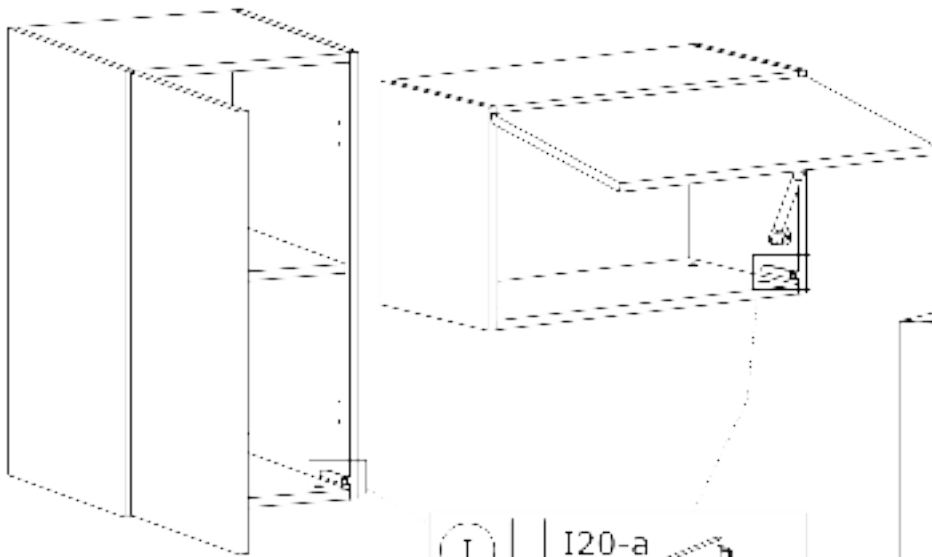
I20



I20-a



I20-b



I

I20-a

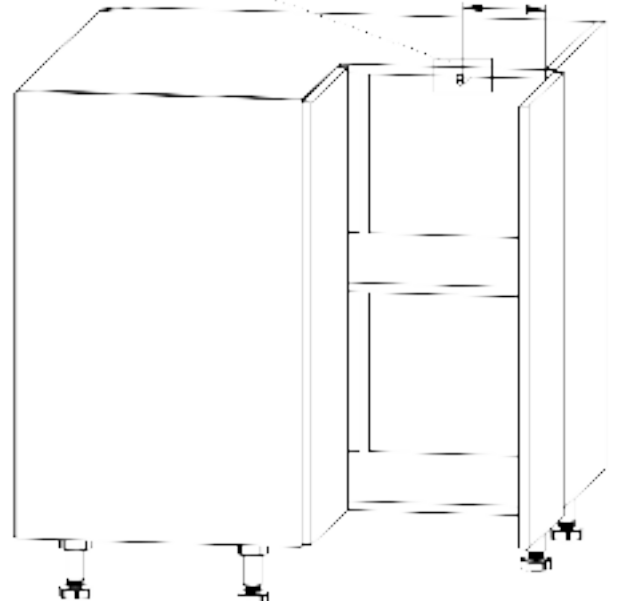
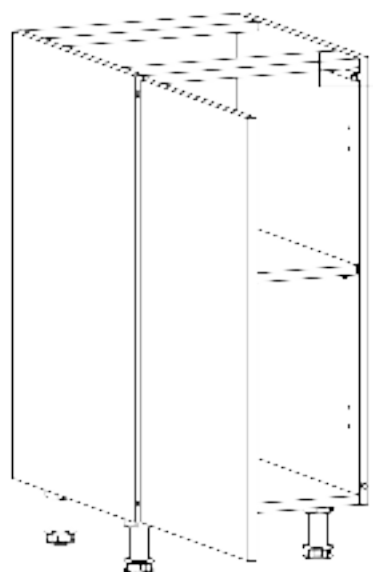
W2

II

I20-b

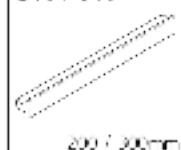


130 mm



B

U18 / U19



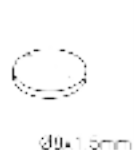
200 / 300mm

W5

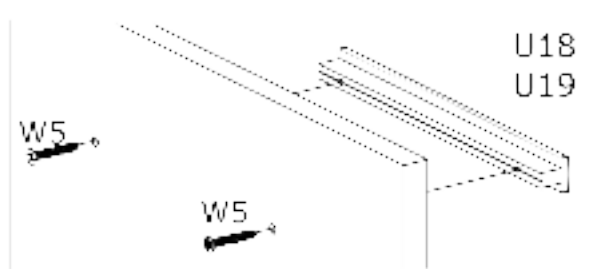


04x30mm

Y1



09x1.5mm



U18
U19

