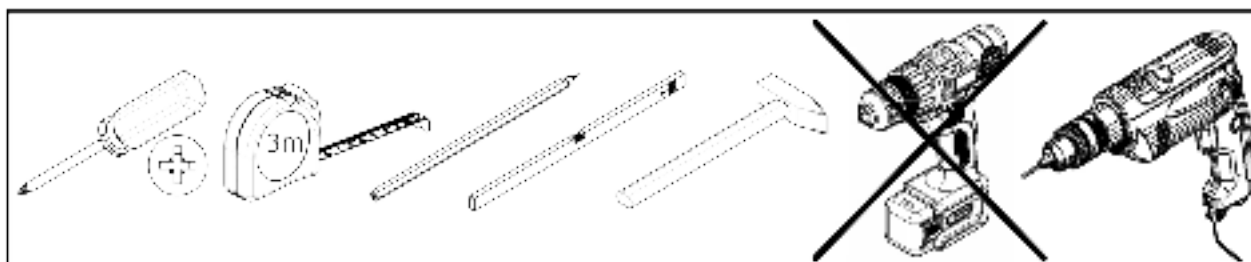
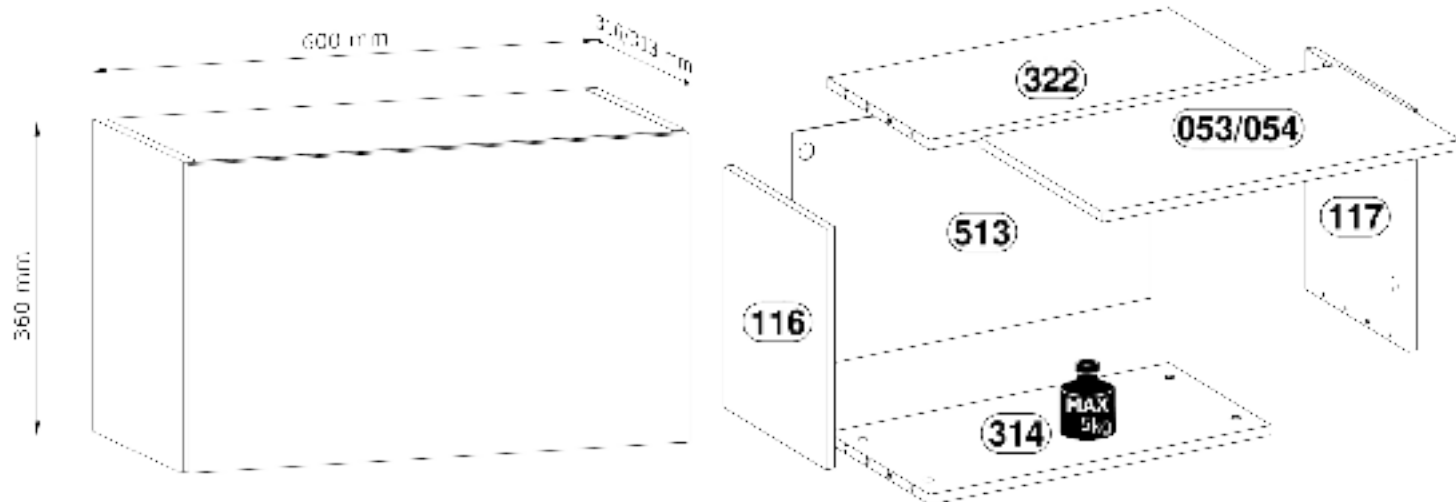


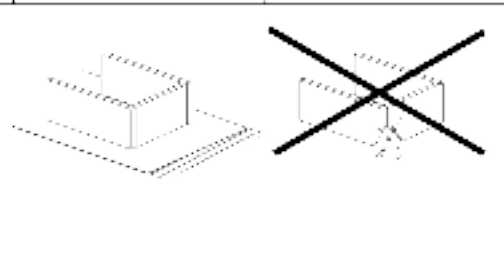
LANGEN

G60KN



A1 x 8 Ø8x35mm	B1 x 8 Ø5x38mm	B6 x 2 Ø14x36mm	C1 x 8 Ø15x12mm	G1 x 20 26mm
I20 x 1 83x21x11mm	J10 x 8 Ø21mm	O1 x 2 70x39x18mm	O5 x 2 76x32x6mm	Q1 x 1 270mm
U19 x 1 300mm	W2 x 11 Ø3,5x16mm	W5 x 6 Ø4x30mm	Y1 x 2 Ø8x1,5mm	Z1 x 2 50x40, H=2

Z3 x 2 Ø35, 7K0	<table border="1"> <thead> <tr> <th>No.</th> <th>L[mm]</th> <th>W[mm]</th> <th>H[mm]</th> <th>PCS</th> <th>BOX</th> </tr> </thead> <tbody> <tr> <td>053-054</td> <td>596</td> <td>355</td> <td>15/18</td> <td>1</td> <td>2/2</td> </tr> <tr> <td>116</td> <td>360</td> <td>295</td> <td>15</td> <td>1</td> <td>1/2</td> </tr> <tr> <td>117</td> <td>360</td> <td>295</td> <td>15</td> <td>1</td> <td>1/2</td> </tr> <tr> <td>314</td> <td>570</td> <td>295</td> <td>15</td> <td>1</td> <td>1/2</td> </tr> <tr> <td>322</td> <td>570</td> <td>295</td> <td>15</td> <td>1</td> <td>1/2</td> </tr> <tr> <td>513</td> <td>597</td> <td>356</td> <td>2,5</td> <td>1</td> <td>1/2</td> </tr> </tbody> </table>	No.	L[mm]	W[mm]	H[mm]	PCS	BOX	053-054	596	355	15/18	1	2/2	116	360	295	15	1	1/2	117	360	295	15	1	1/2	314	570	295	15	1	1/2	322	570	295	15	1	1/2	513	597	356	2,5	1	1/2
No.	L[mm]	W[mm]	H[mm]	PCS	BOX																																						
053-054	596	355	15/18	1	2/2																																						
116	360	295	15	1	1/2																																						
117	360	295	15	1	1/2																																						
314	570	295	15	1	1/2																																						
322	570	295	15	1	1/2																																						
513	597	356	2,5	1	1/2																																						



1

B1 x 8



Ø5x38mm

O1 x 2



70x39x10mm

Q1 x 1



270mm

W5 x 4

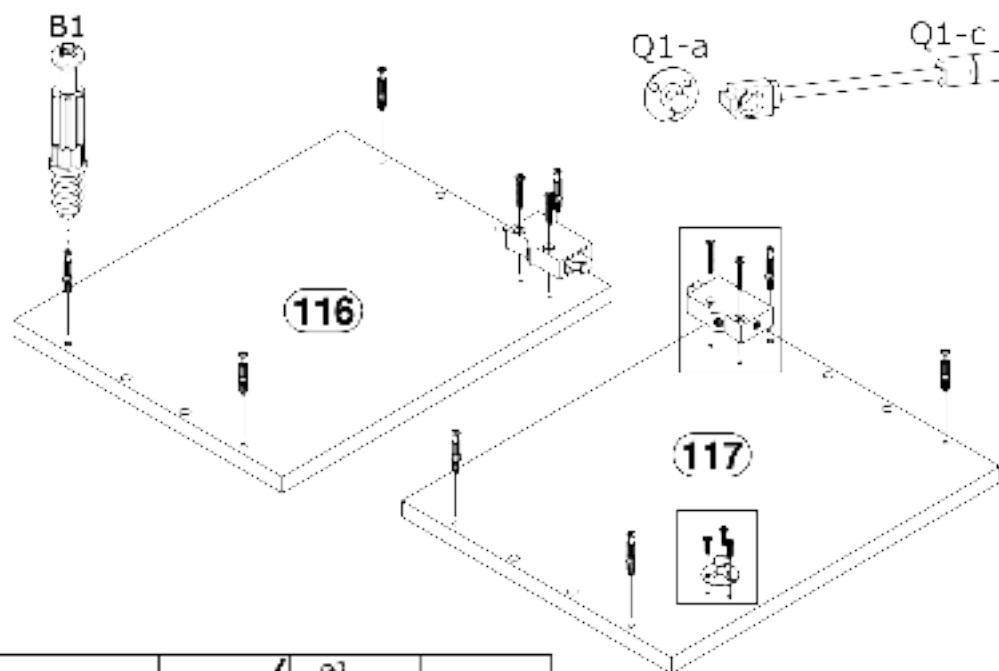


Ø4x30mm

W2 x 3



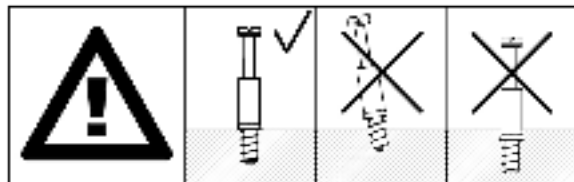
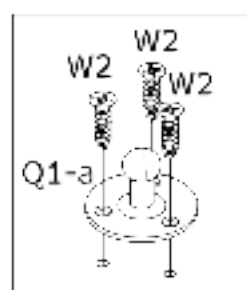
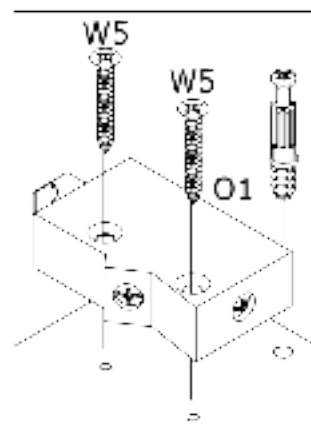
Ø3,5x16mm



Q1-a

Q1-c

Q1-b



2

A1 x 8



Ø8x35mm

C1 x 8

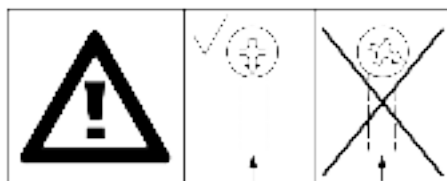
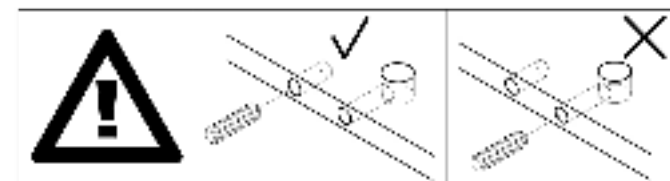
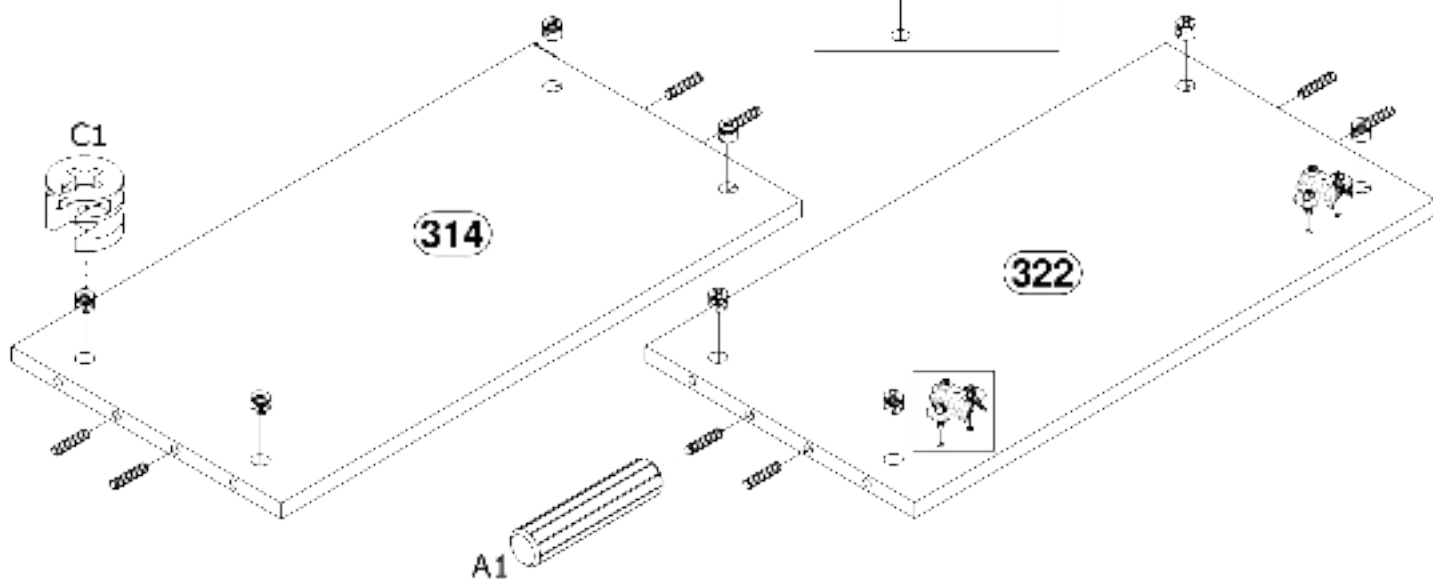
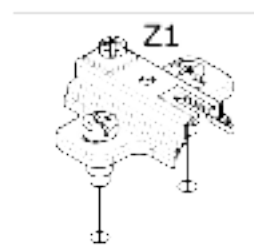


Ø15x12mm

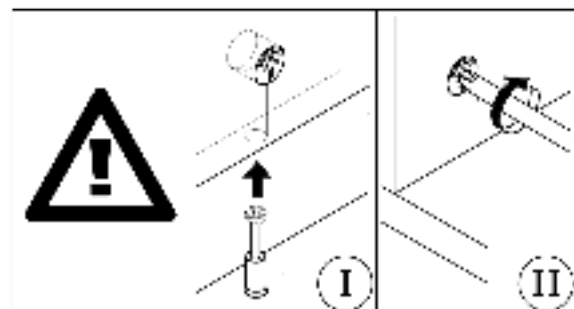
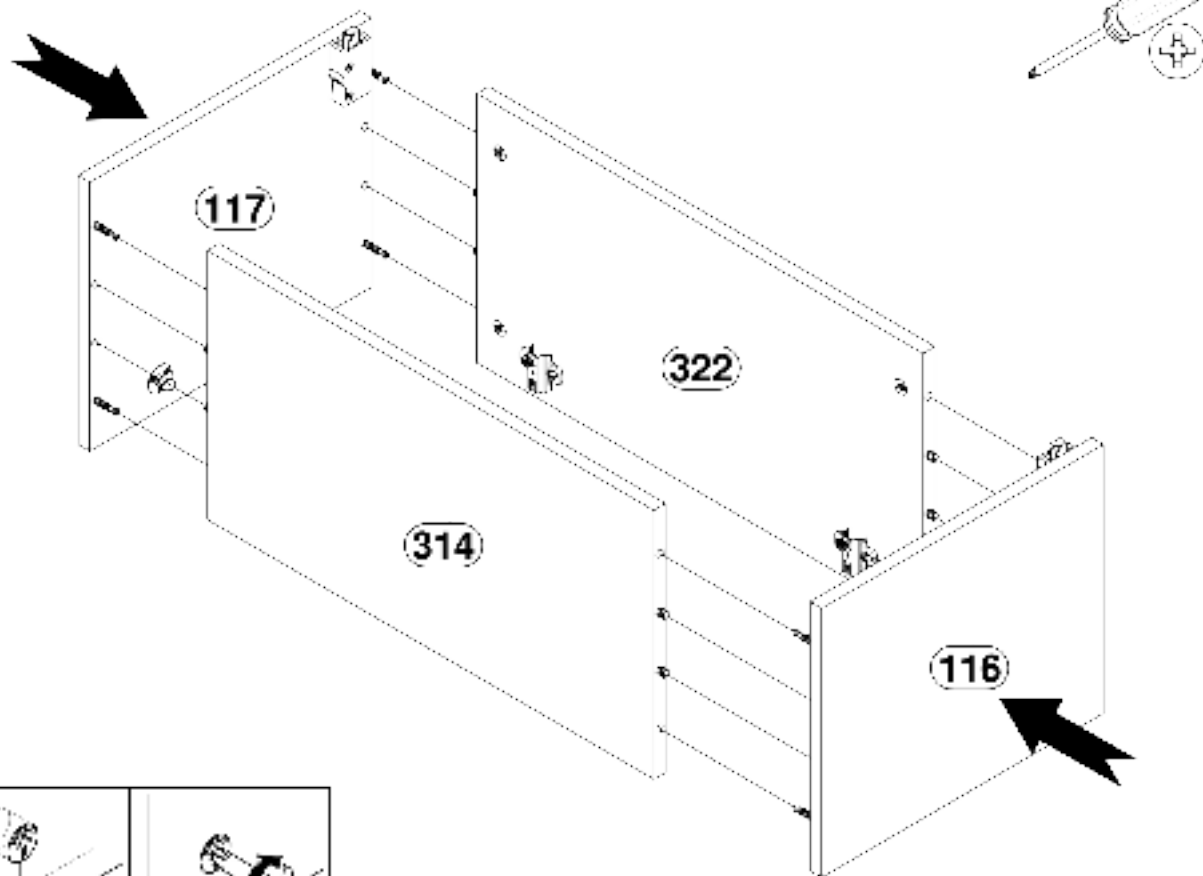
Z1 x 2



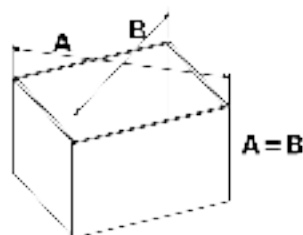
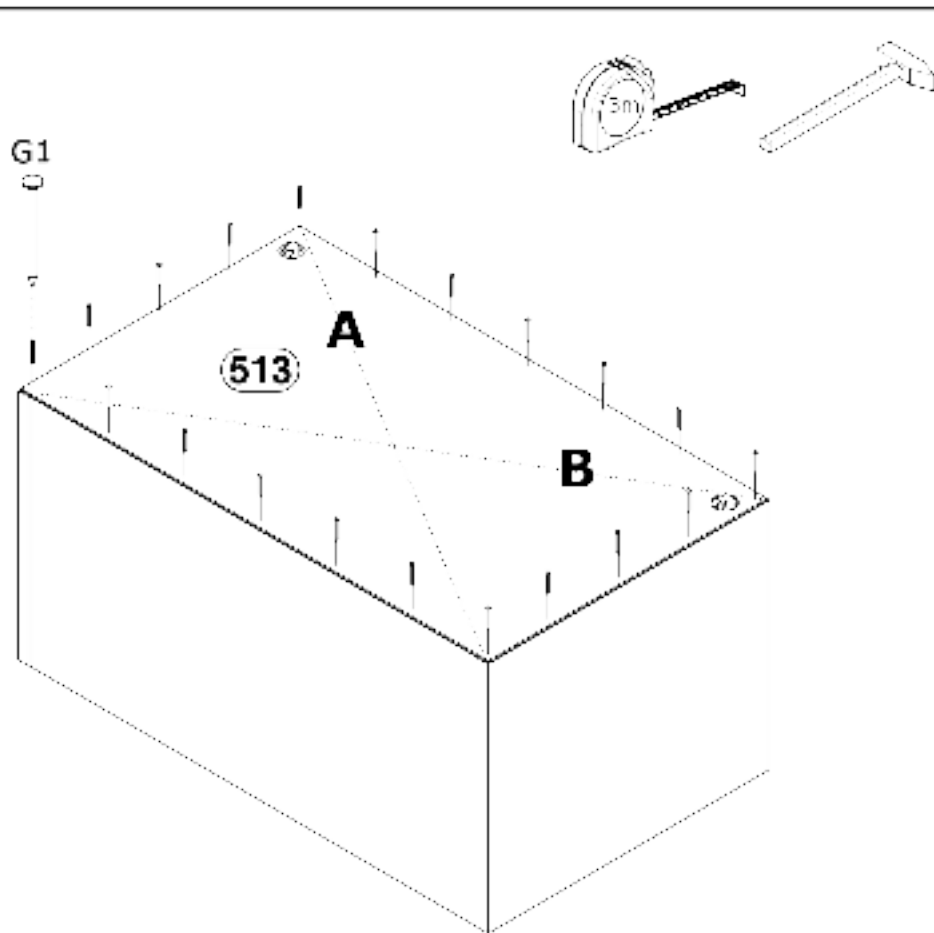
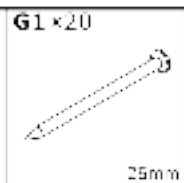
Ø6x40, H=2



3



4



5

Q1-bx1



51mm

W2x6



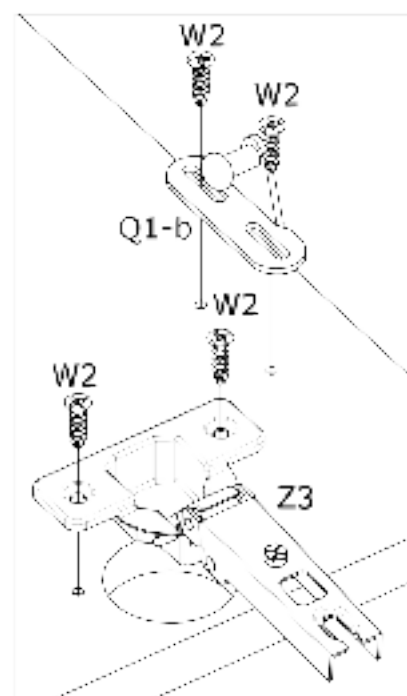
Ø3,5x16mm

Z3x7



70x2K

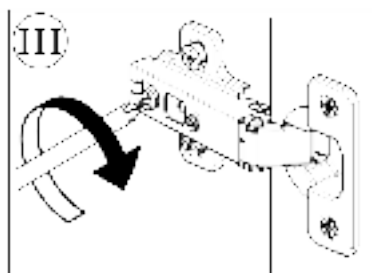
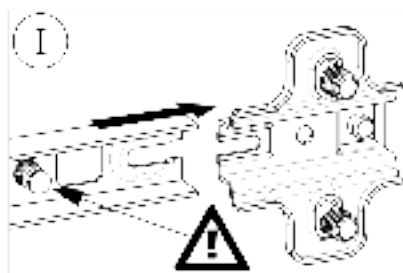
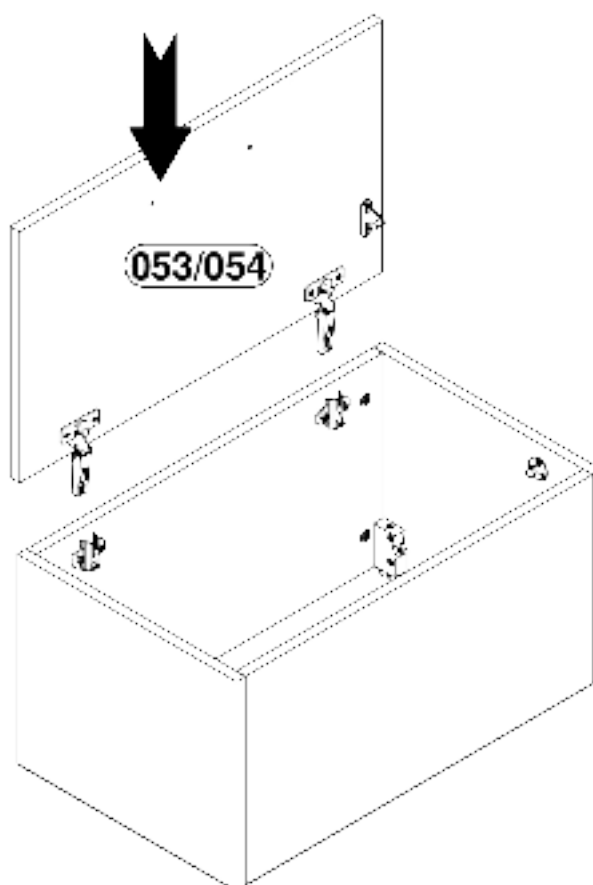
053/054



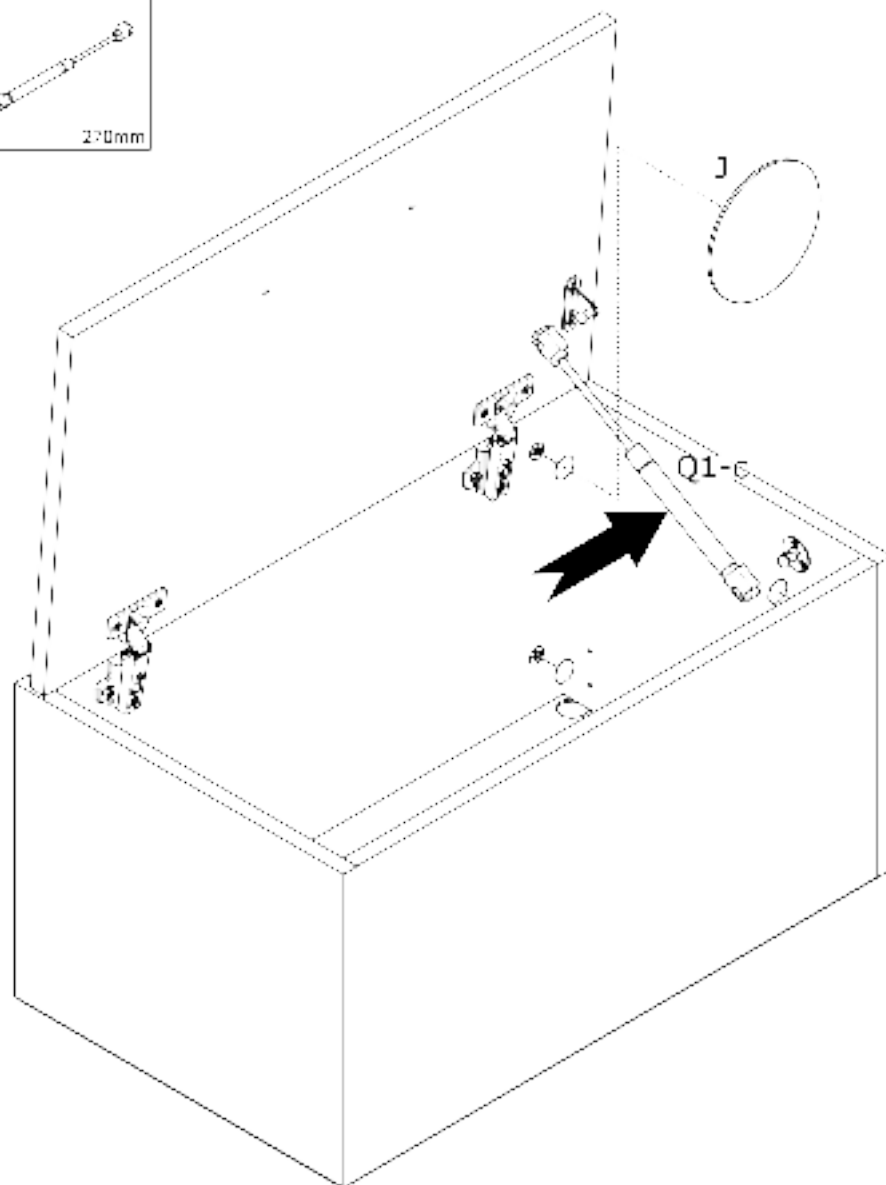
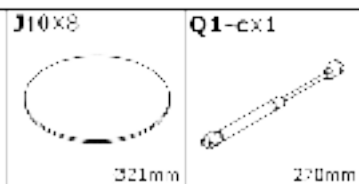
6



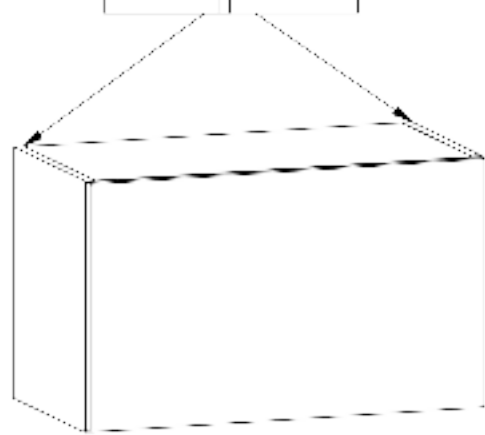
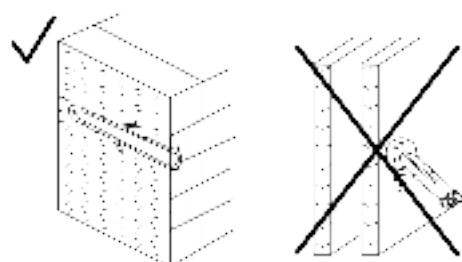
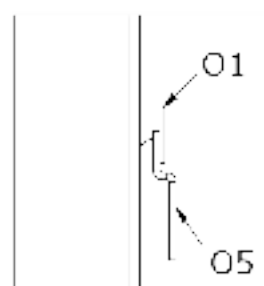
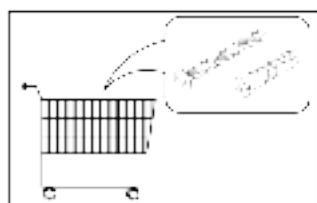
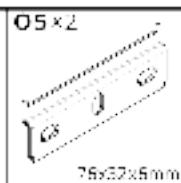
053/054



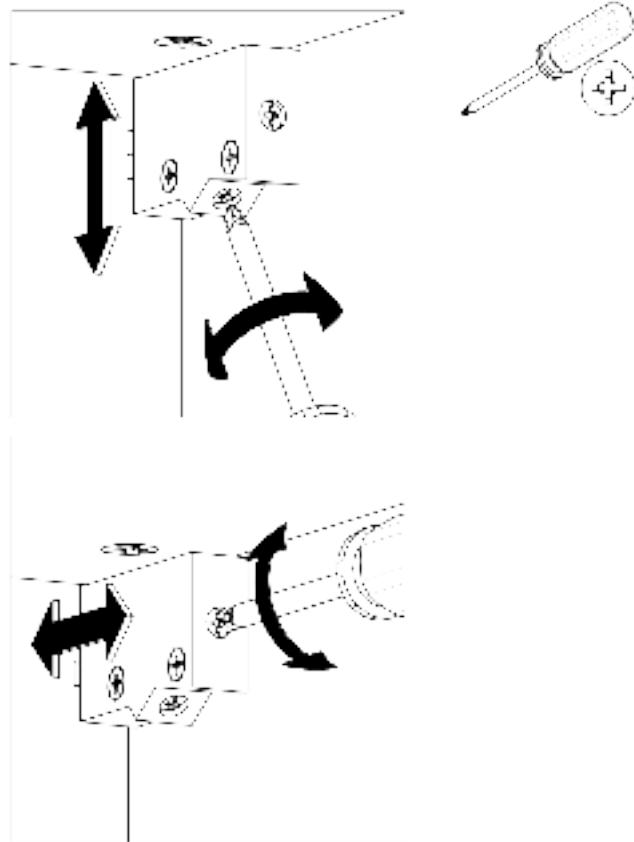
7



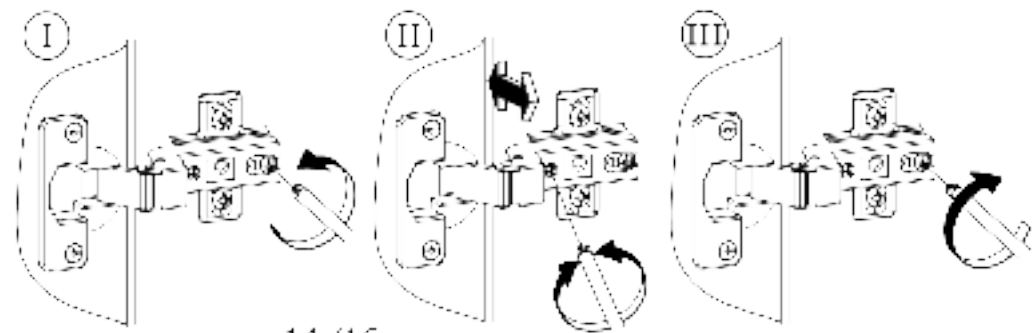
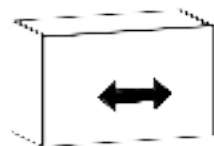
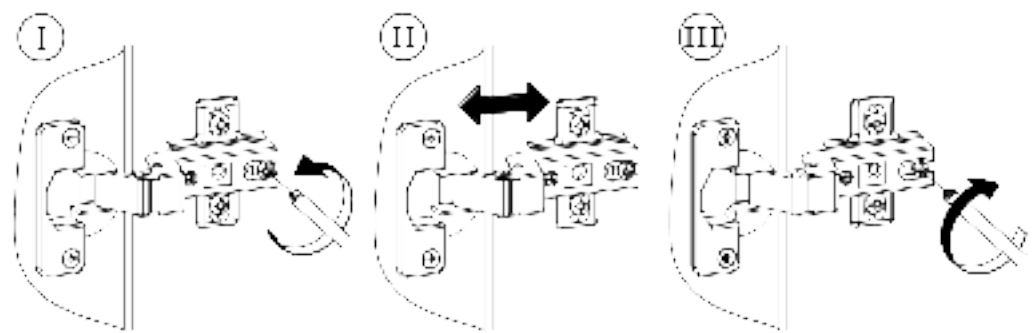
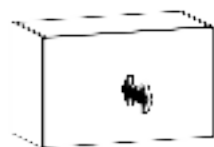
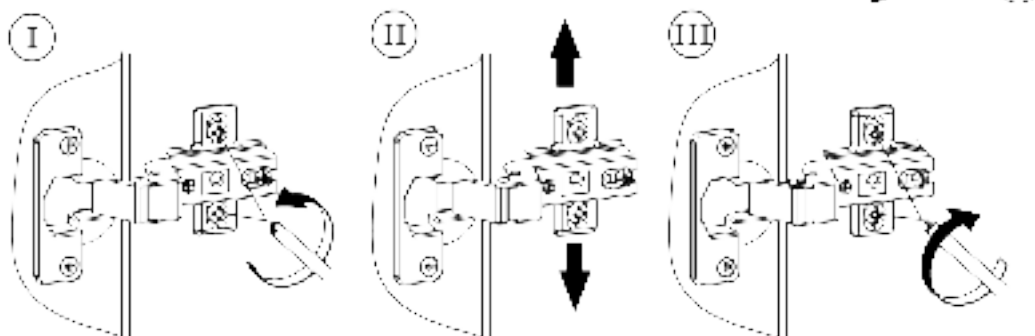
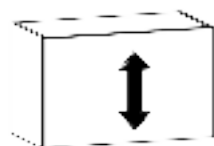
8



9



10



?

A

B

A

I20 x

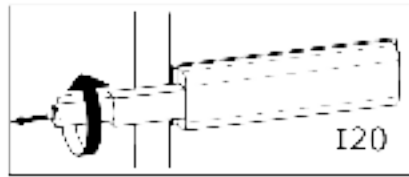


83x7 x 11 mm

W2 x



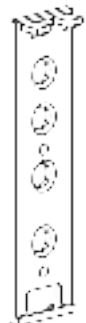
Ø5,5x15 mm



I20



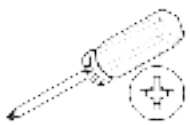
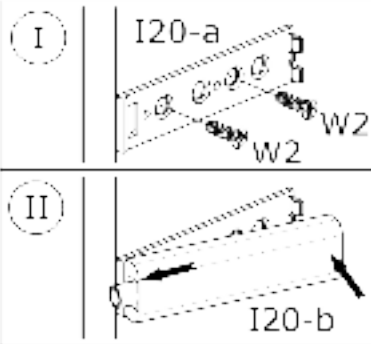
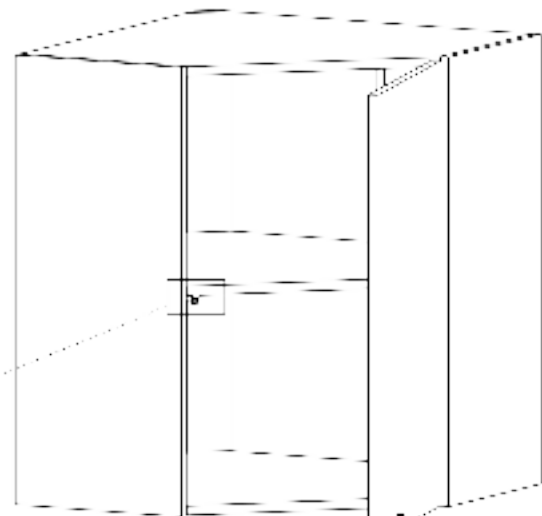
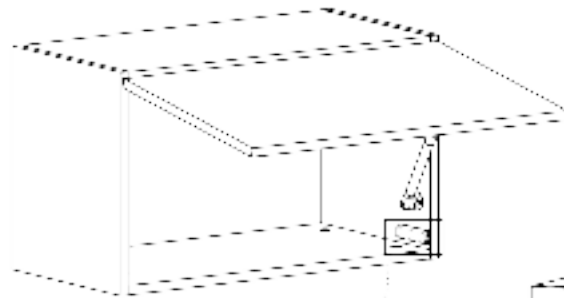
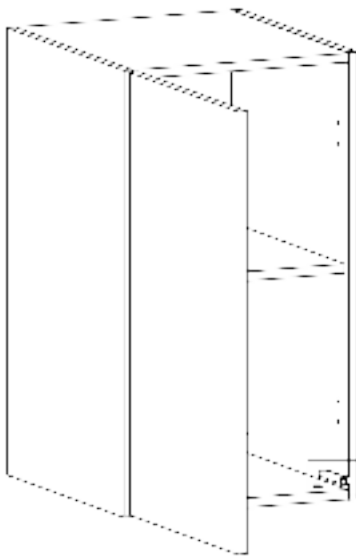
I20



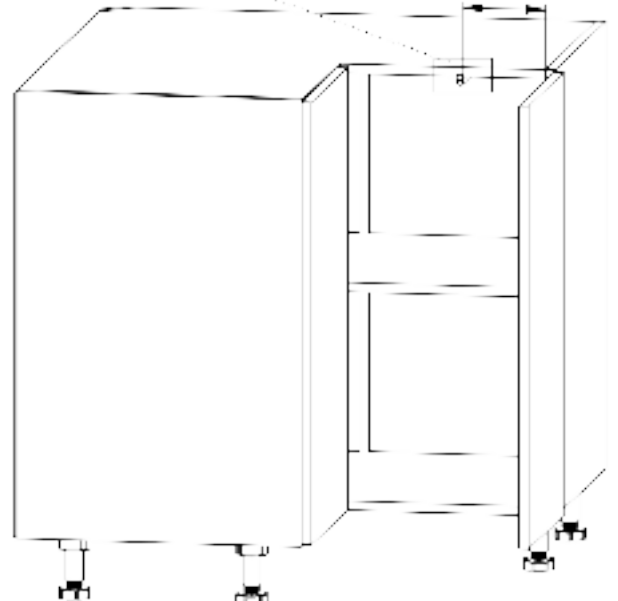
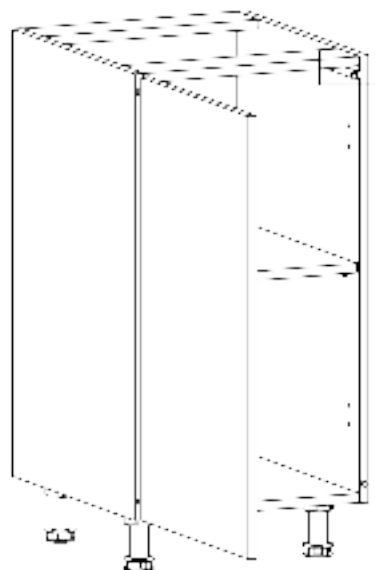
I20-a



I20-b



130 mm



B

U18 / U19



W5



Y1

