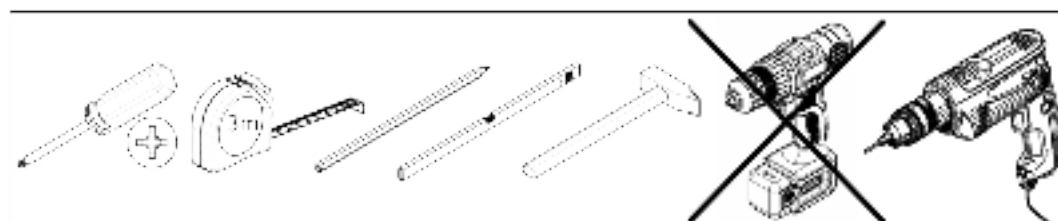
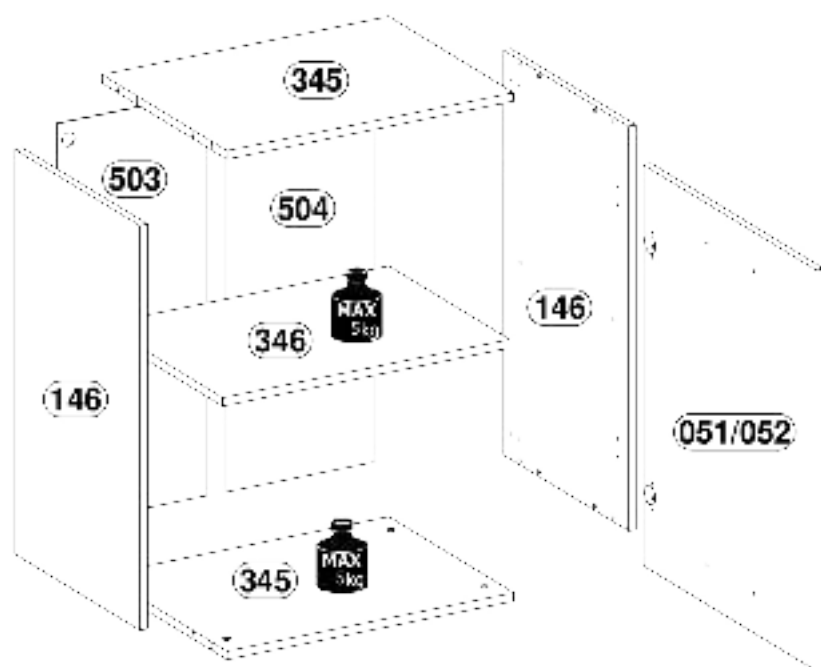
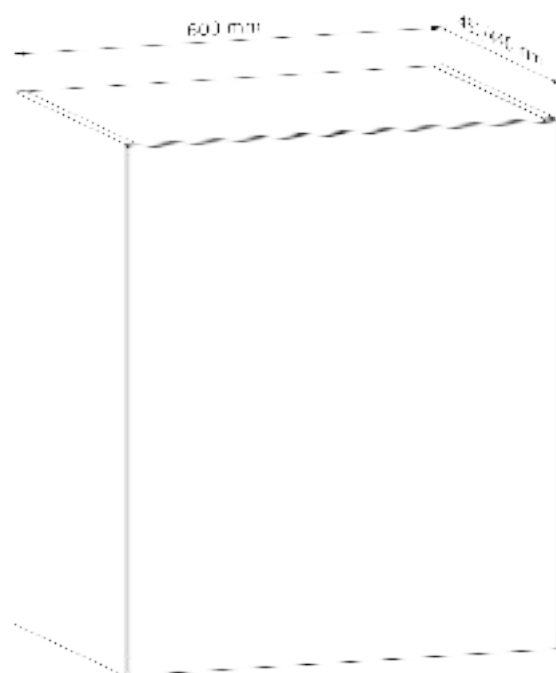
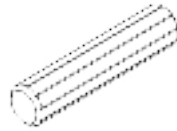
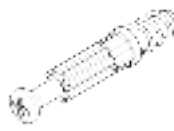
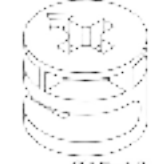





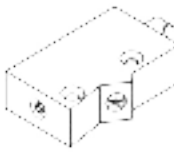









# LANGEN

# G60G



<b>A1</b> x8  Ø8x35mm	<b>B1</b> x8  Ø5x38mm	<b>C1</b> x8  Ø15x12mm	<b>E1</b> x4  Ø5x16mm	<b>G1</b> x28  26mm																																										
<b>H4</b> x1  715mm	<b>I20</b> x1  83x21x11mm	<b>J10</b> x8  Ø21mm	<b>O1</b> x2  70x39x15mm	<b>O5</b> x2  76x32x6mm																																										
<b>U19</b> x1  300mm	<b>W2</b> x6  Ø3,5x16mm	<b>W5</b> x6  Ø4x30mm	<b>Y1</b> x2  Ø8x1,5mm	<b>Z1</b> x2  50x40, H=2																																										
<b>Z3</b> x2  Ø35, ZK0	<table border="1"> <thead> <tr> <th>No.</th> <th>L [mm]</th> <th>W [mm]</th> <th>H [mm]</th> <th>FSB</th> <th>BOX</th> </tr> </thead> <tbody> <tr> <td>051/052</td> <td>713</td> <td>599</td> <td>15/19</td> <td>1</td> <td>2/2</td> </tr> <tr> <td>118</td> <td>720</td> <td>430</td> <td>15</td> <td>2</td> <td>1/2</td> </tr> <tr> <td>315</td> <td>570</td> <td>430</td> <td>15</td> <td>2</td> <td>1/2</td> </tr> <tr> <td>318</td> <td>570</td> <td>415</td> <td>15</td> <td>1</td> <td>1/2</td> </tr> <tr> <td>503</td> <td>716</td> <td>597</td> <td>2,5</td> <td>1</td> <td>1/2</td> </tr> <tr> <td>504</td> <td>716</td> <td>597</td> <td>2,5</td> <td>1</td> <td>1/2</td> </tr> </tbody> </table>				No.	L [mm]	W [mm]	H [mm]	FSB	BOX	051/052	713	599	15/19	1	2/2	118	720	430	15	2	1/2	315	570	430	15	2	1/2	318	570	415	15	1	1/2	503	716	597	2,5	1	1/2	504	716	597	2,5	1	1/2
No.	L [mm]	W [mm]	H [mm]	FSB	BOX																																									
051/052	713	599	15/19	1	2/2																																									
118	720	430	15	2	1/2																																									
315	570	430	15	2	1/2																																									
318	570	415	15	1	1/2																																									
503	716	597	2,5	1	1/2																																									
504	716	597	2,5	1	1/2																																									

1

B1 x8



Ø5x38mm

O1 x2

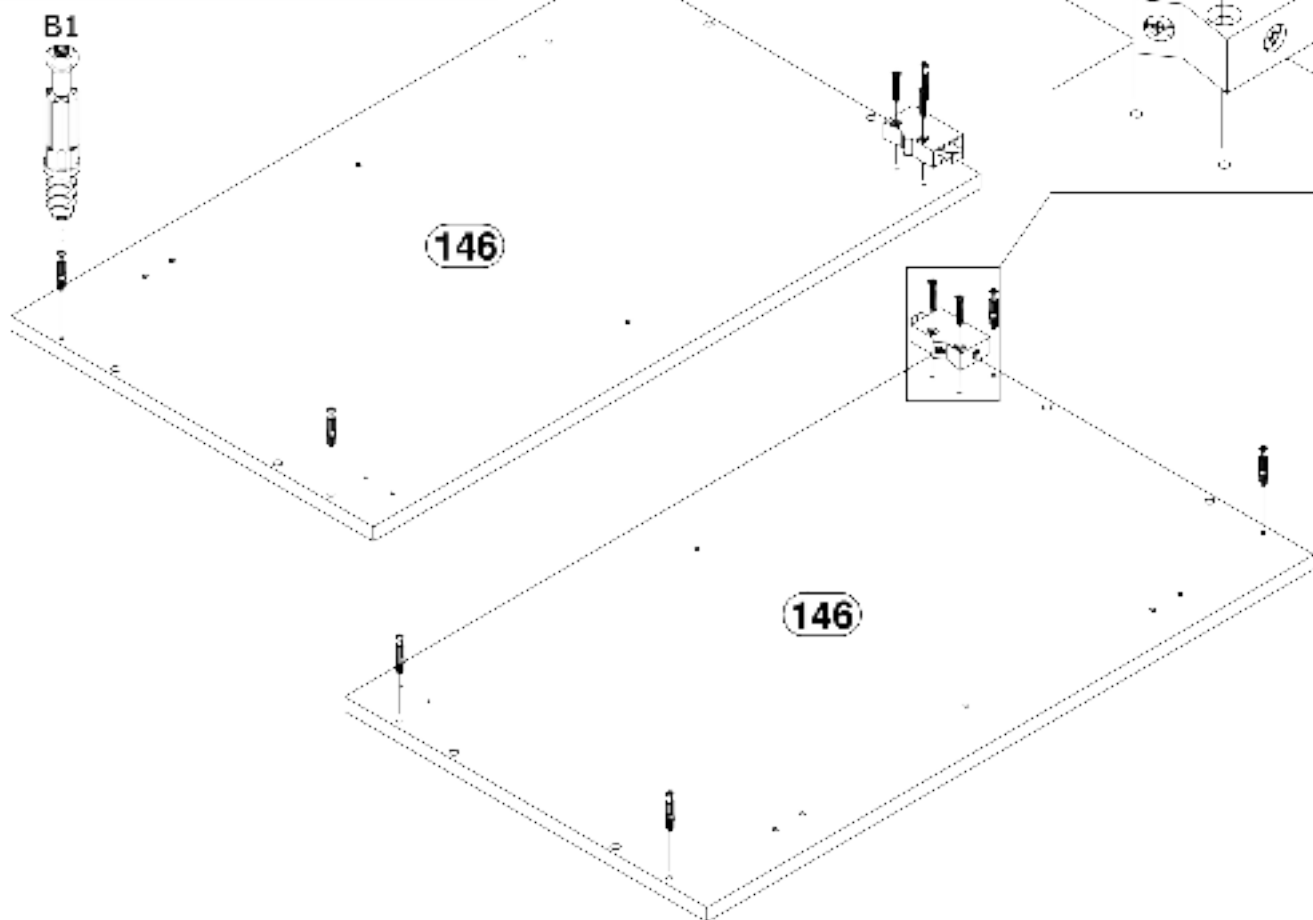
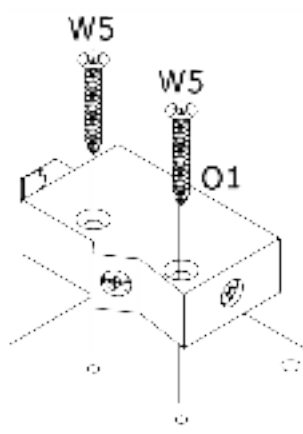
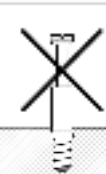
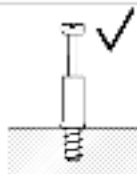


7Cx39x10mm

W5 x4



Ø4x30mm



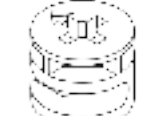
2

A1 x8



Ø8x35mm

C1 x8

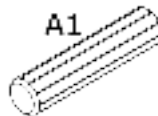


Ø15x12mm

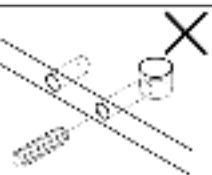
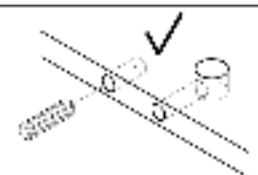
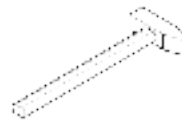
C1



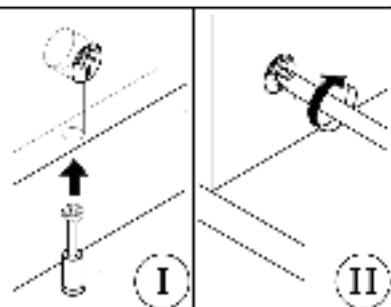
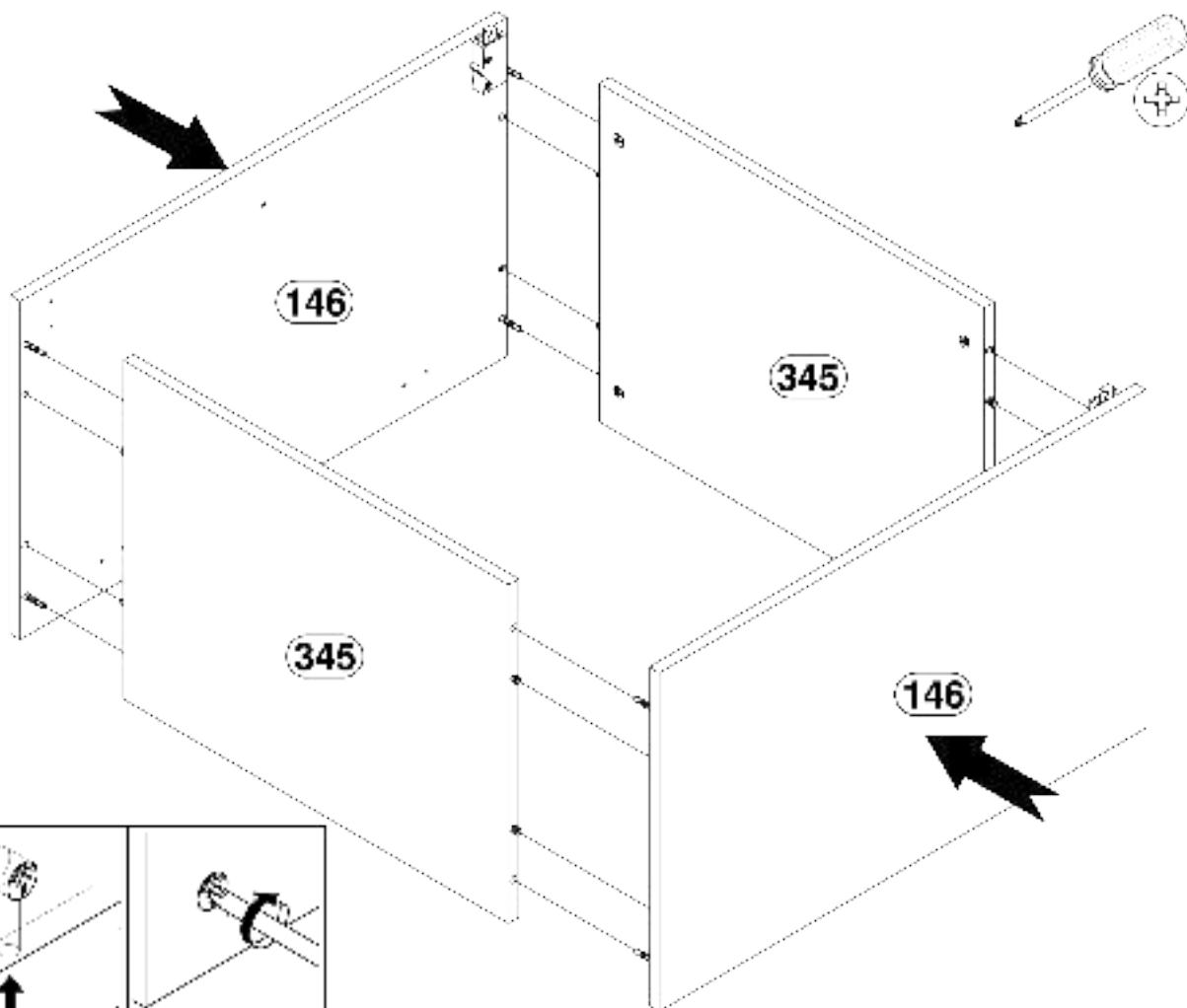
A1



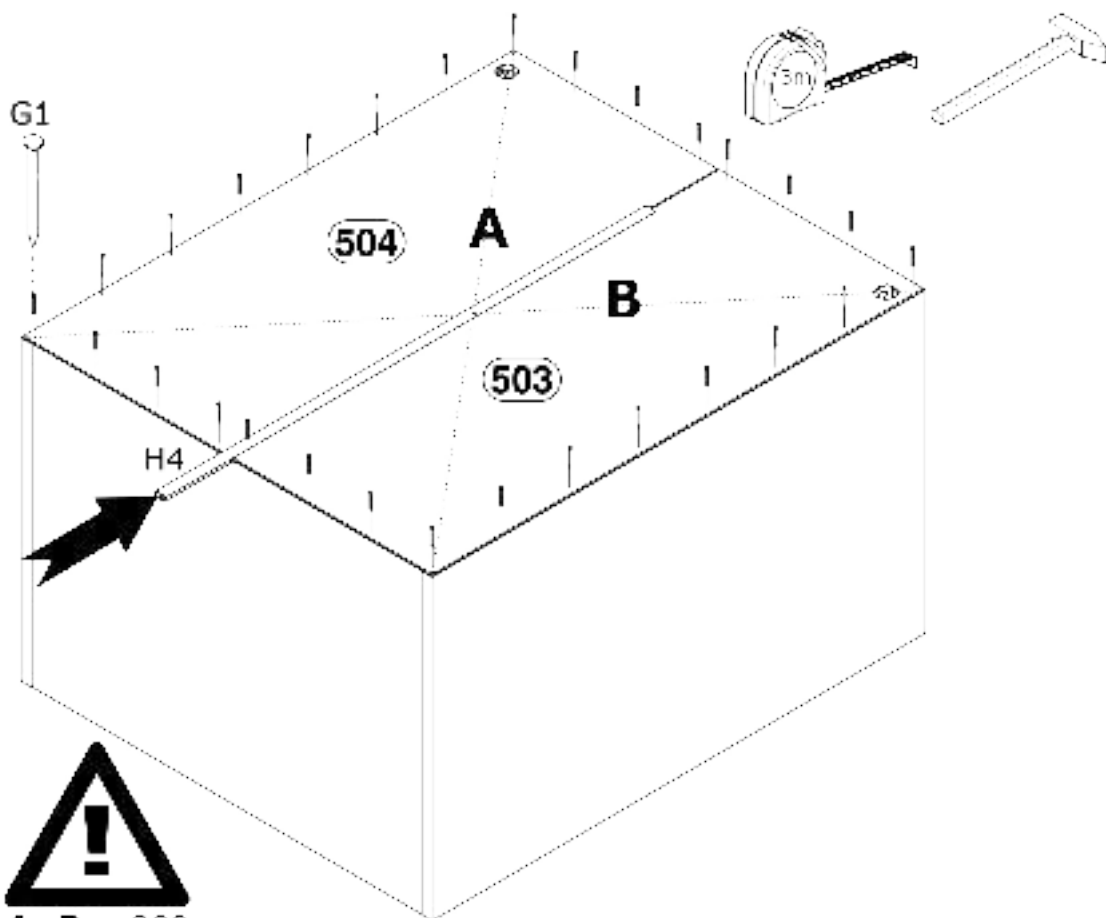
345x2



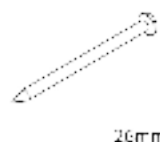
3



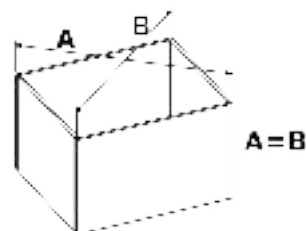
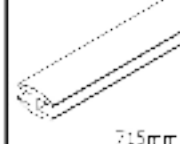
4



G1 x 28



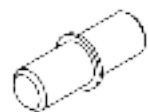
H4 x 1



$A=B \equiv 90^\circ$

5

E1 x4

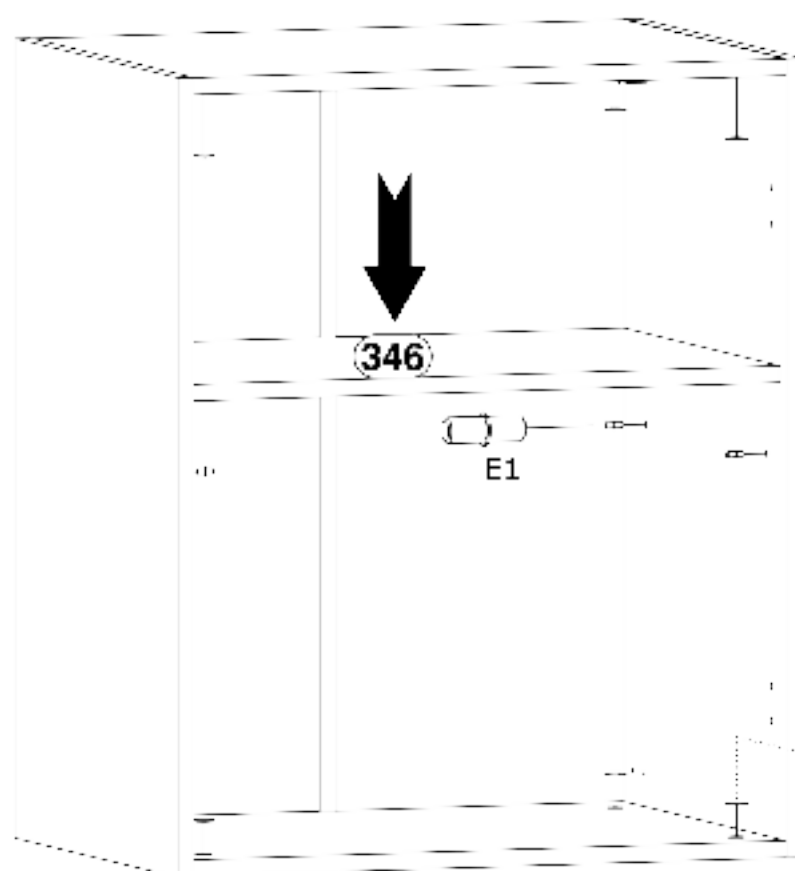


Ø5x16mm

J10x8



Ø21mm



6

W2 x4

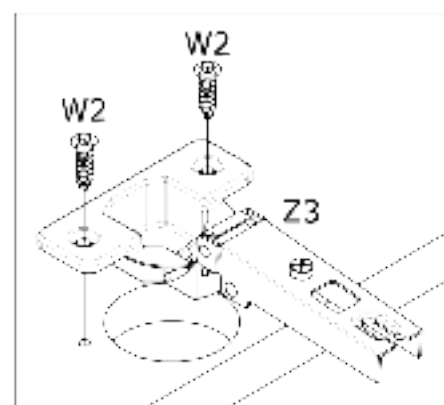
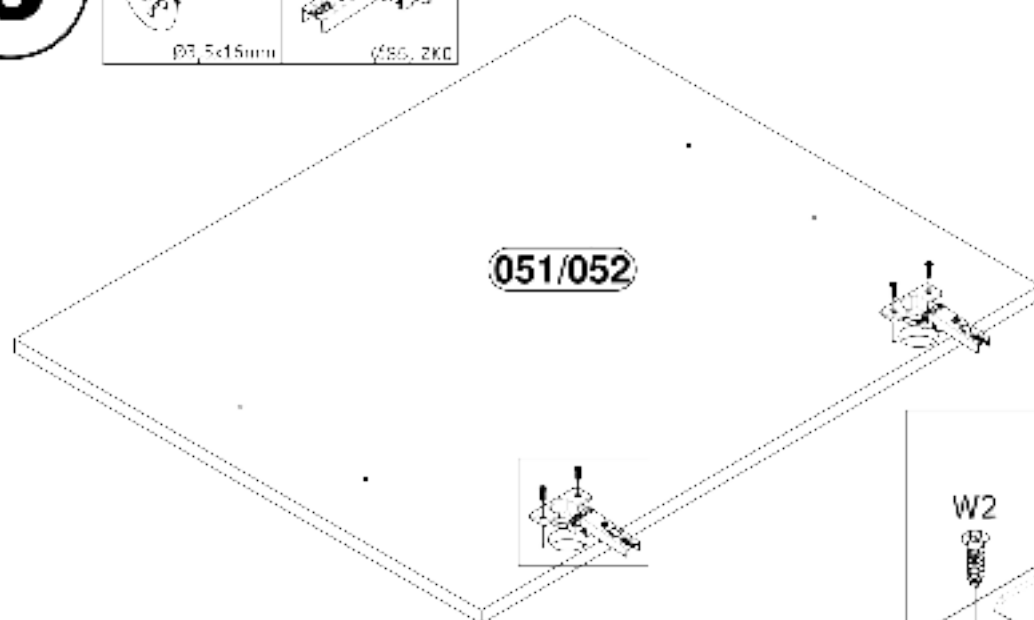


Ø3,5x15mm

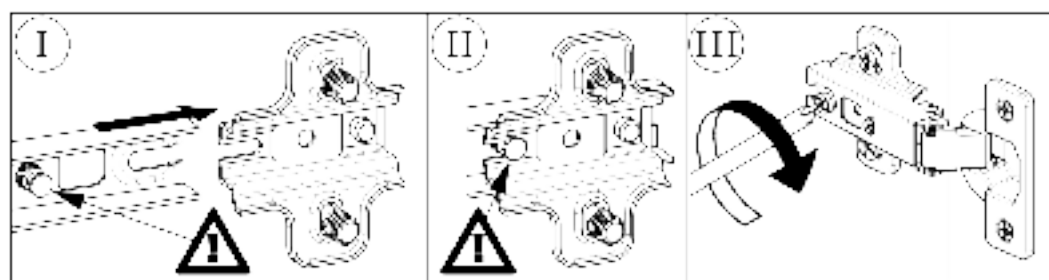
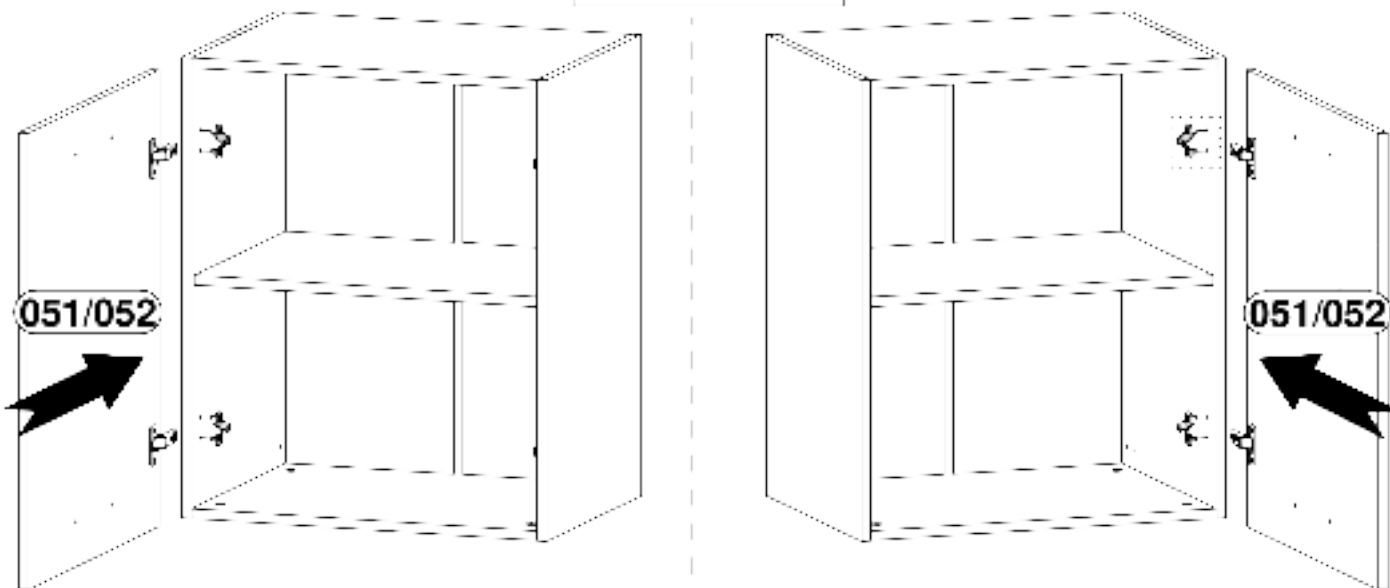
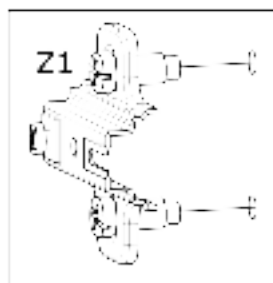
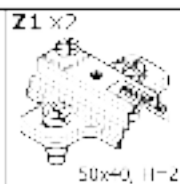
Z3 x2



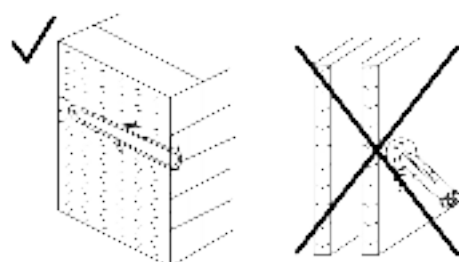
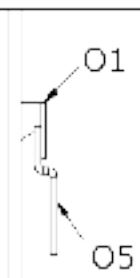
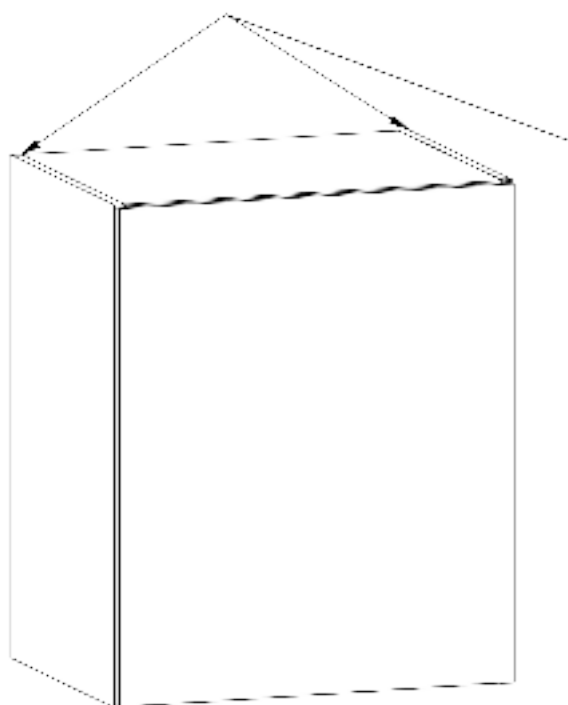
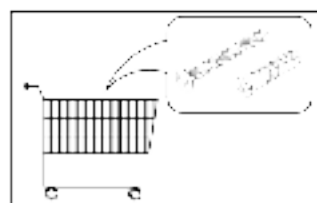
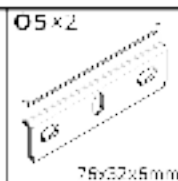
Ø20,2x20



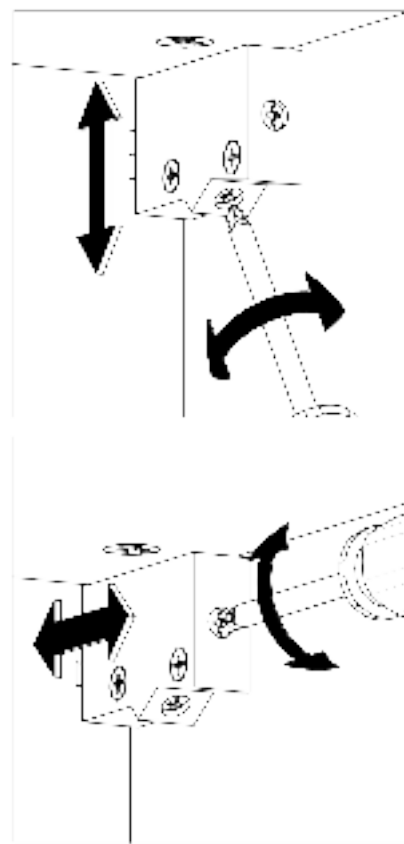
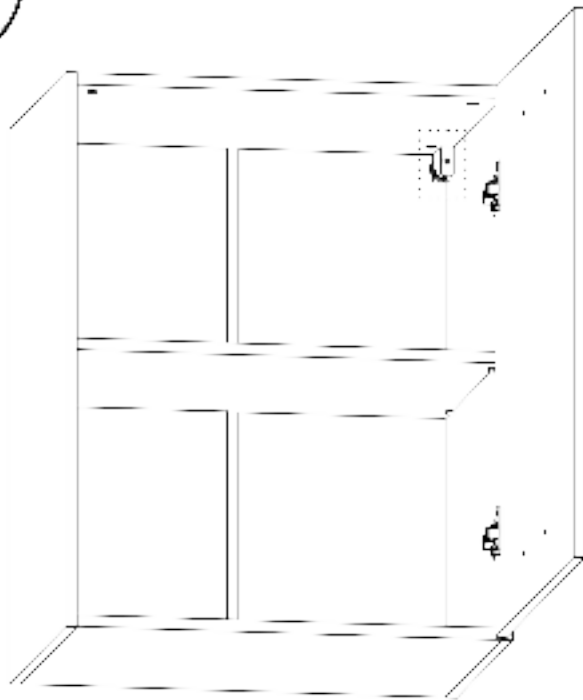
7



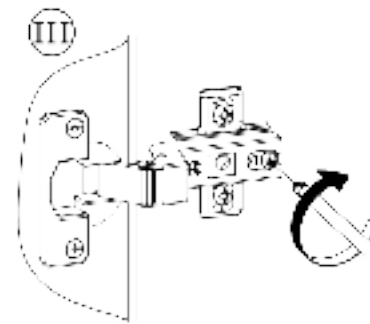
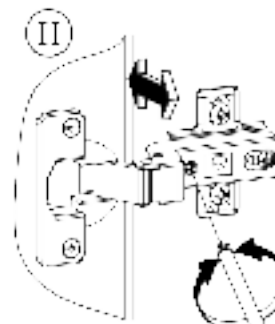
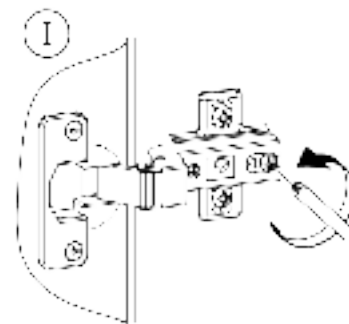
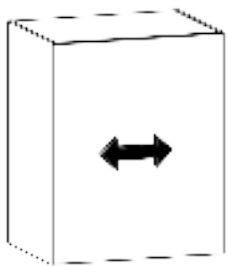
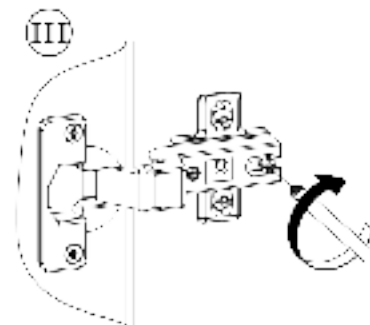
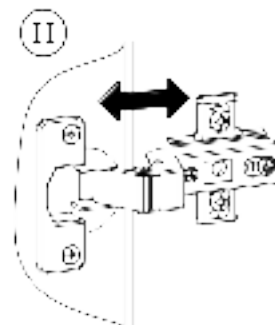
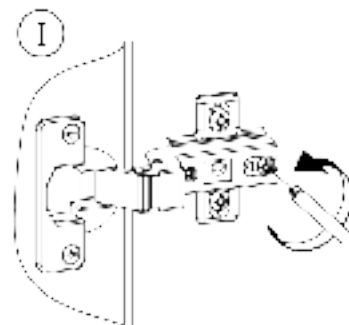
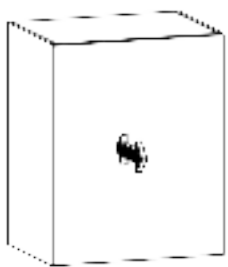
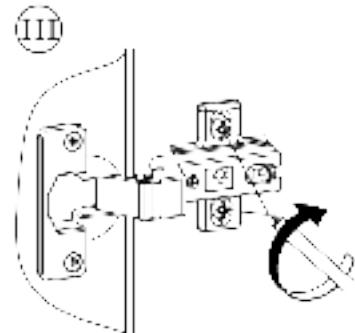
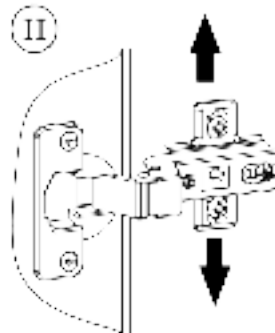
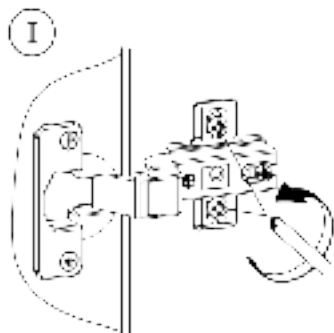
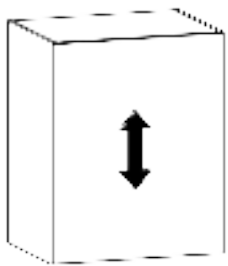
8



9



10



# ?

## A

## B

### A

I20 x

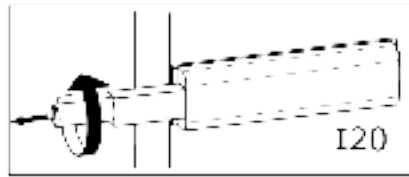


83x7 x 11 mm

W2 x



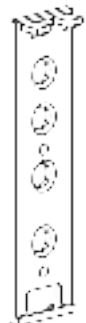
Ø5,5x15 mm



I20



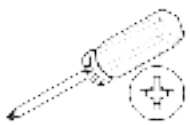
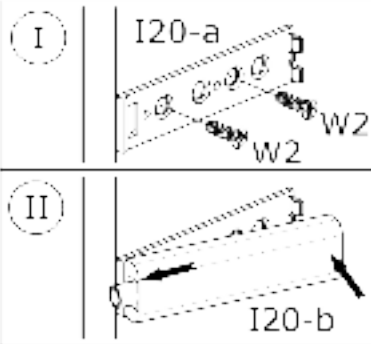
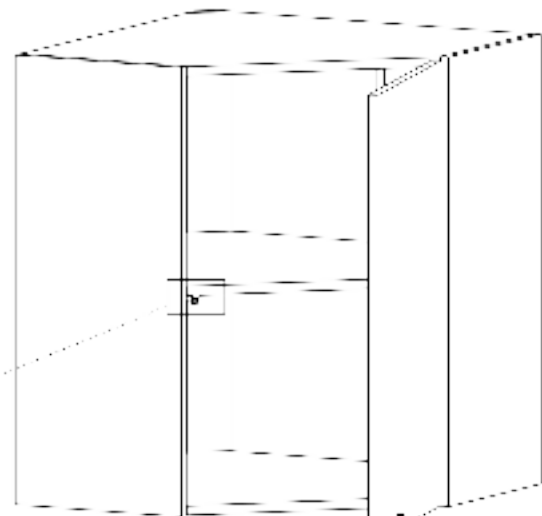
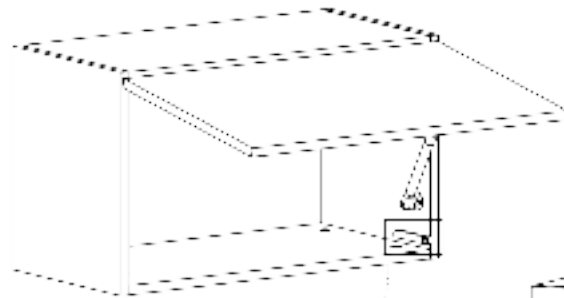
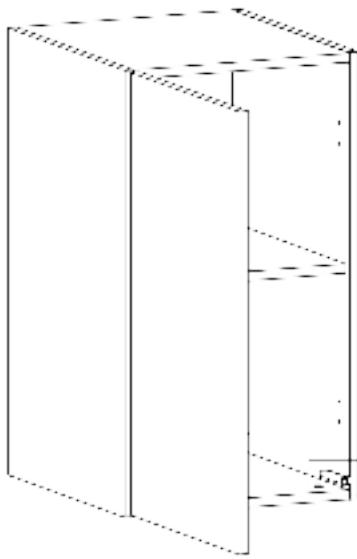
I20



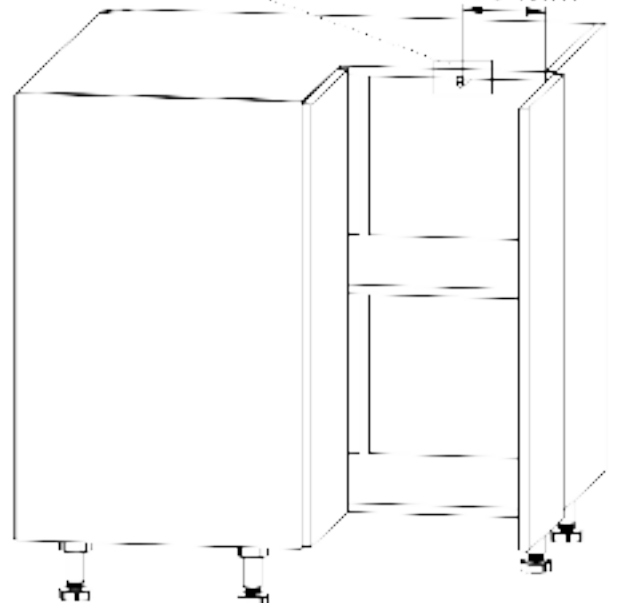
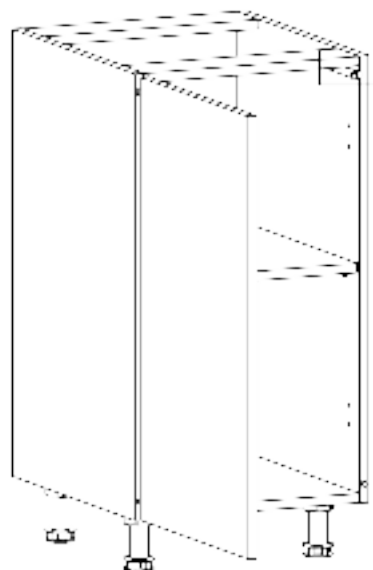
I20-a



I20-b

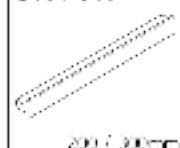


130 mm



**B**

U18 / U19



W5



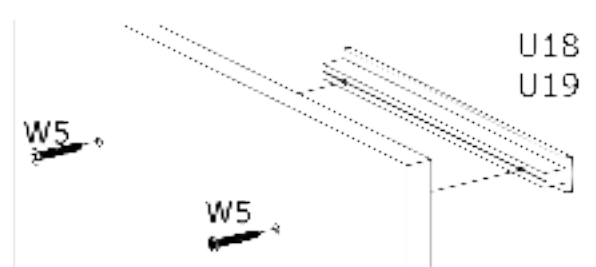
Y1



200 / 300mm

04x30mm

09x1.5mm



U18  
U19

