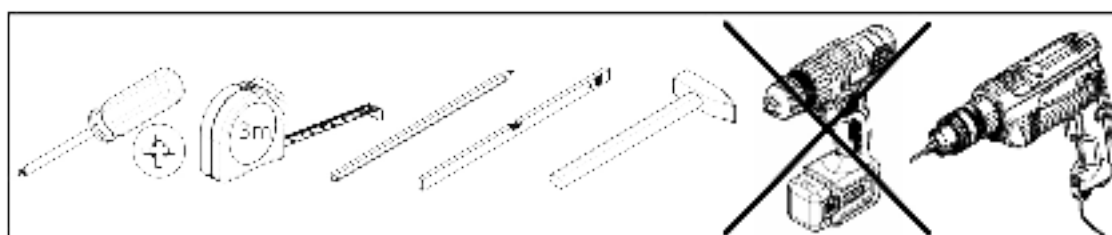
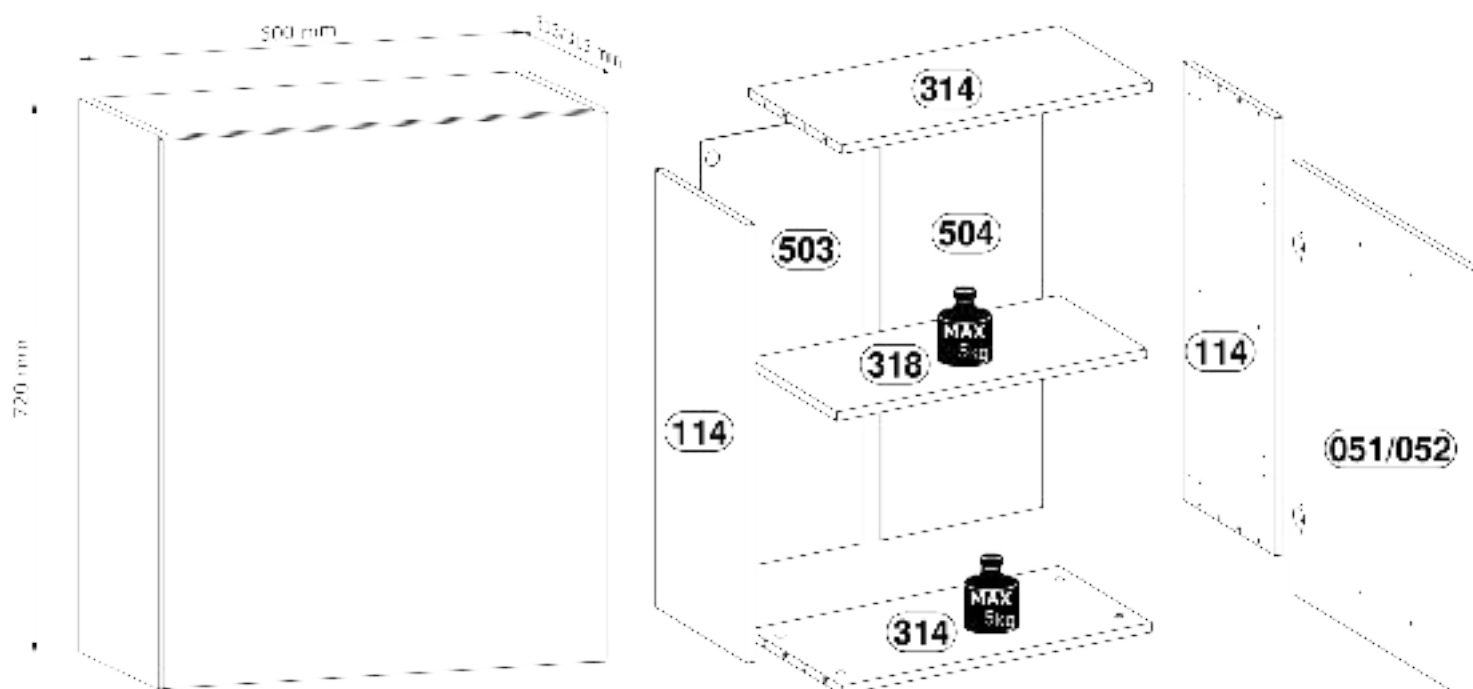


LANGEN

G60



A1 x 8 Ø8x35mm	B1 x 8 Ø5x38mm	C1 x 8 Ø15x12mm	E1 x 4 Ø5x16mm	G1 x 28 26mm
H4 x 1 715mm	I20 x 1 83x21x11mm	J10 x 8 Ø71mm	O1 x 2 70x39x18mm	O5 x 2 76x32x6mm
U19 x 1 300mm	W2 x 6 Ø3,5x16mm	W5 x 6 Ø4x30mm	Y1 x 2 Ø8x1,5mm	Z1 x 2 50x40, H=2

Z3 x 2 	No.	L(mm)	W(mm)	H(mm)	PCS	BOX
	051/052	713	596	157,8	1	2/2
	114	720	295	15	2	1/2
	314	570	295	15	2	1/2
	318	570	280	15	1	1/2
	503	716	297	2,5	1	1/2
	504	716	297	2,5	1	1/2

Ø35, ZK0

1

B1 x 8



Ø5x38mm

O1 x 2

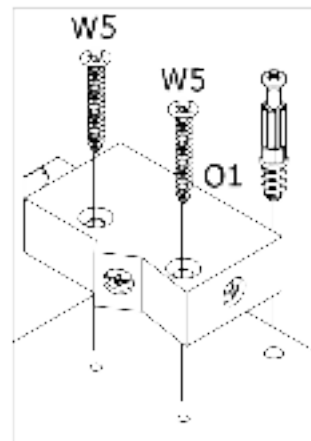
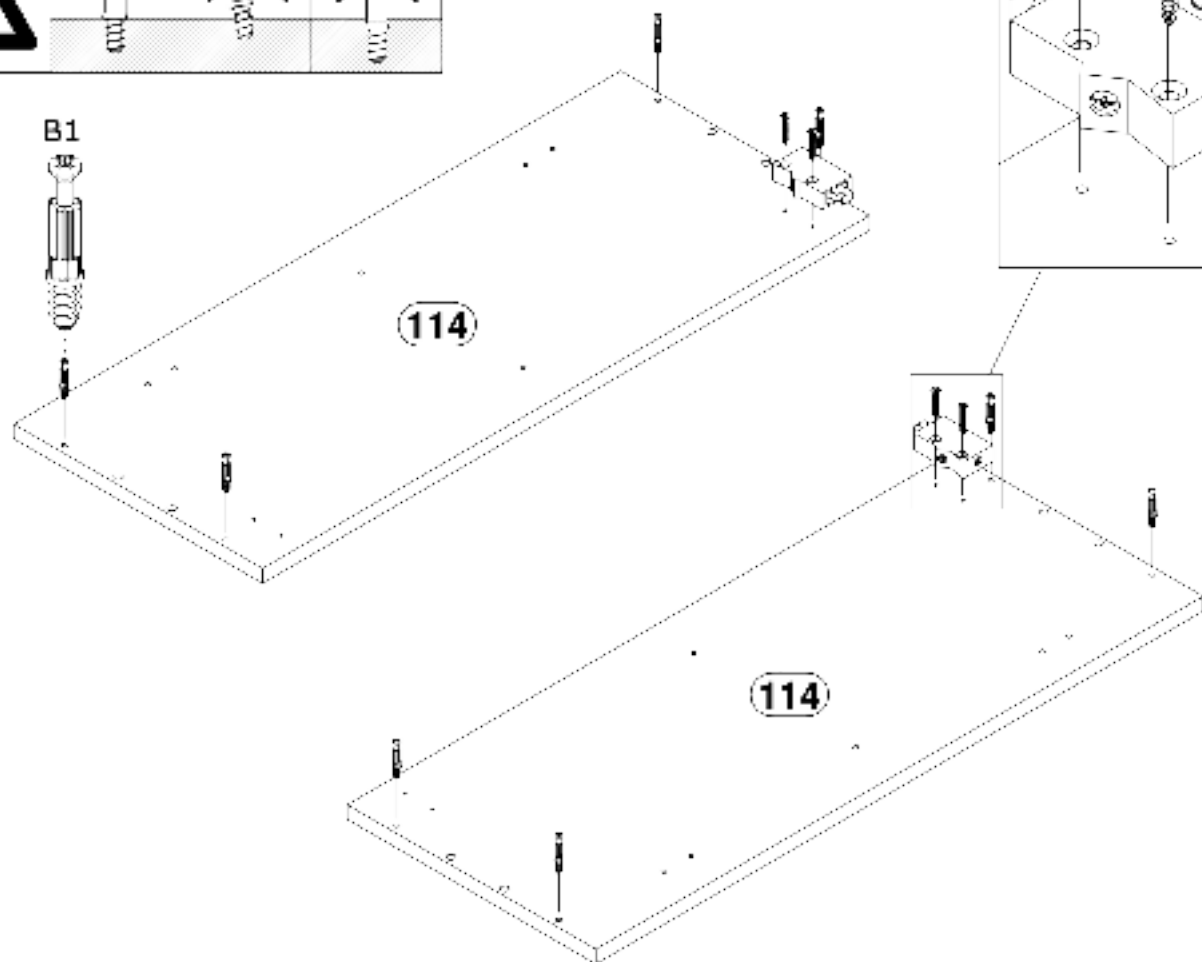
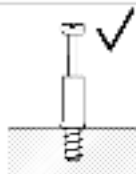


7Cx39x10mm

W5 x 4



Ø4x30mm



2

A1 x 8

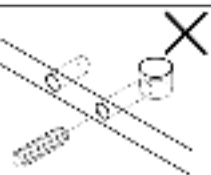
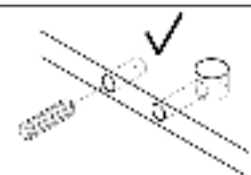
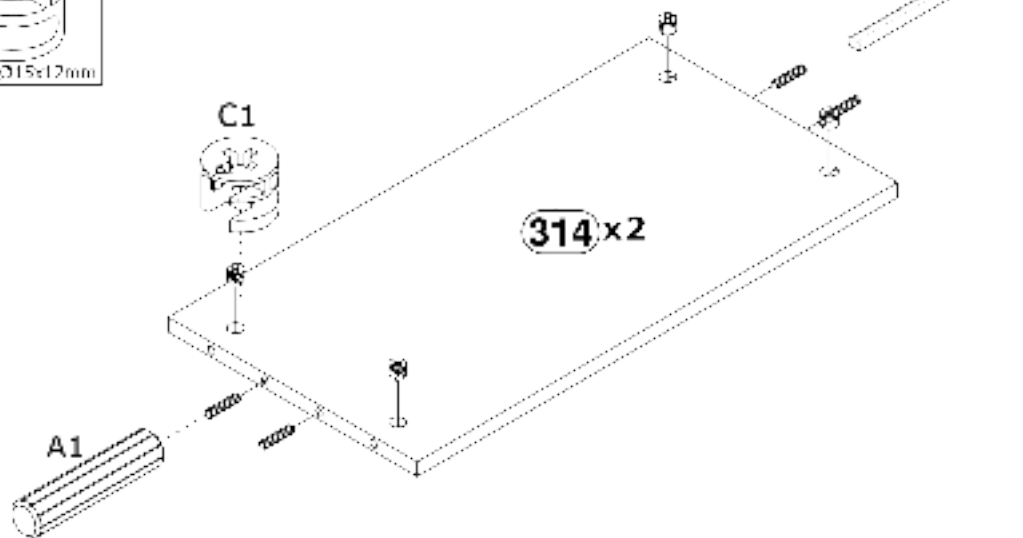


Ø8x35mm

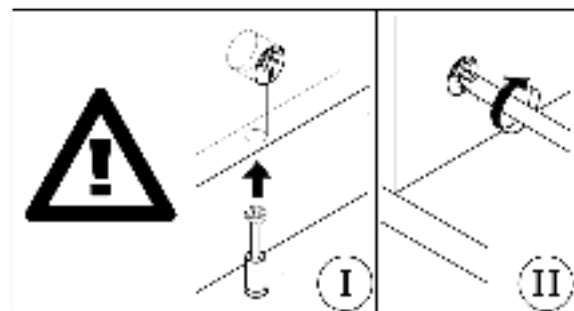
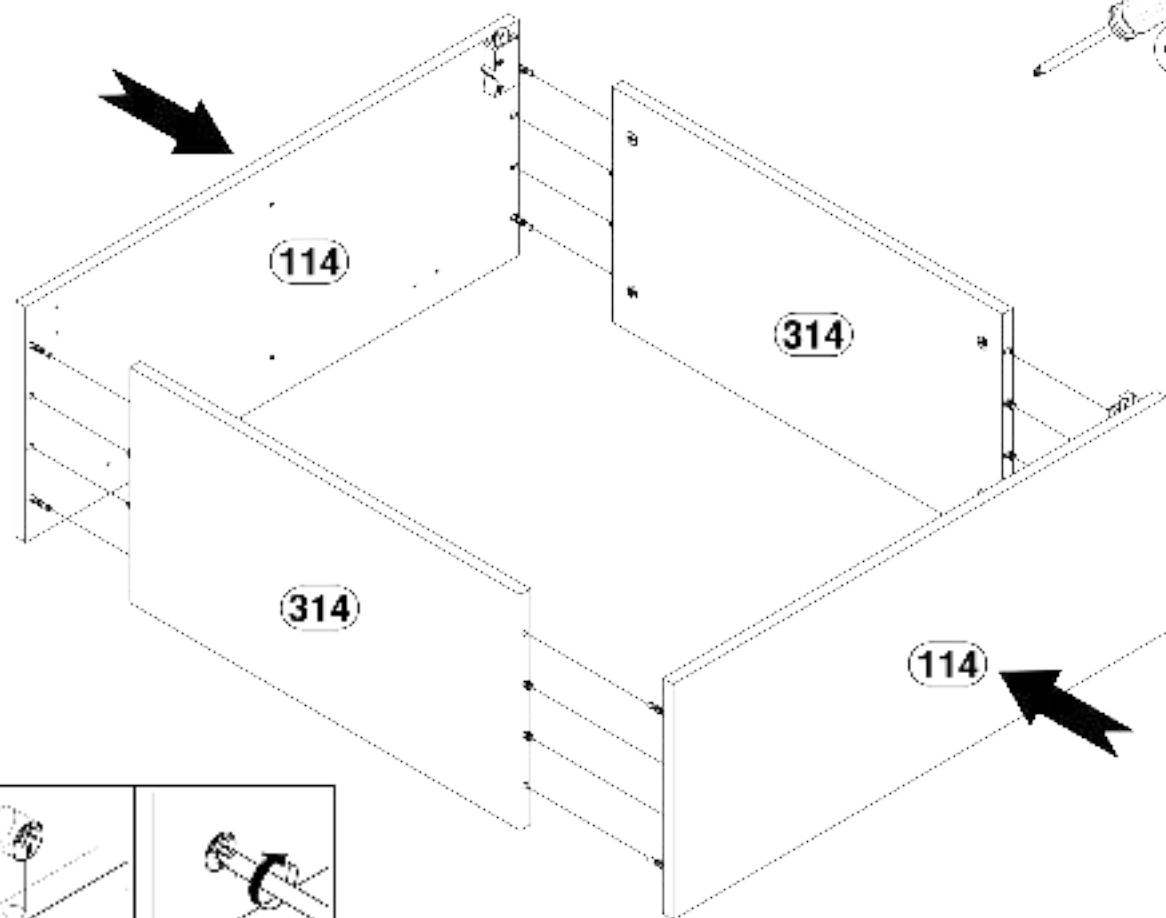
C1 x 8



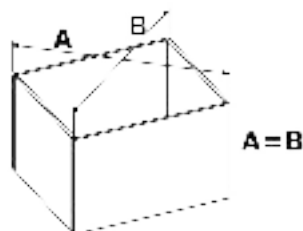
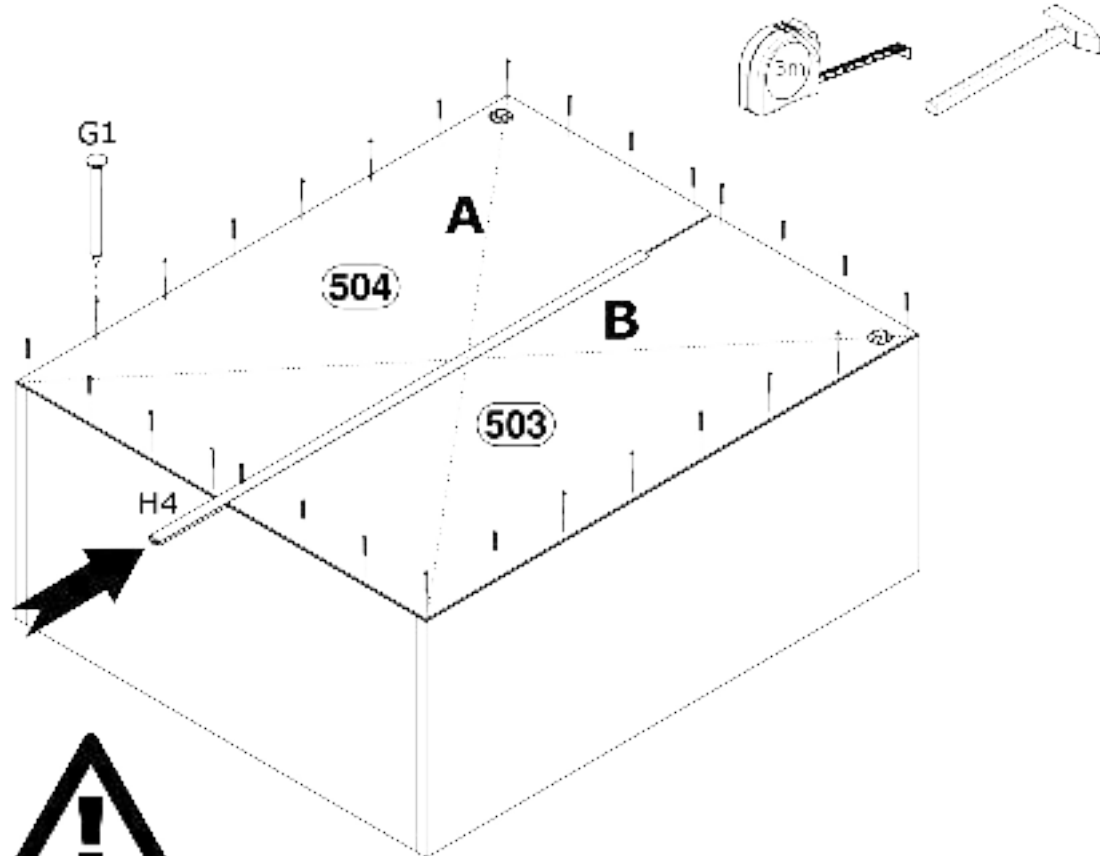
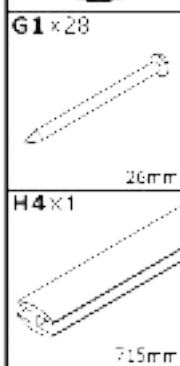
Ø15x12mm



3

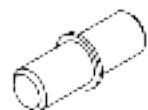


4



5

E1 x4

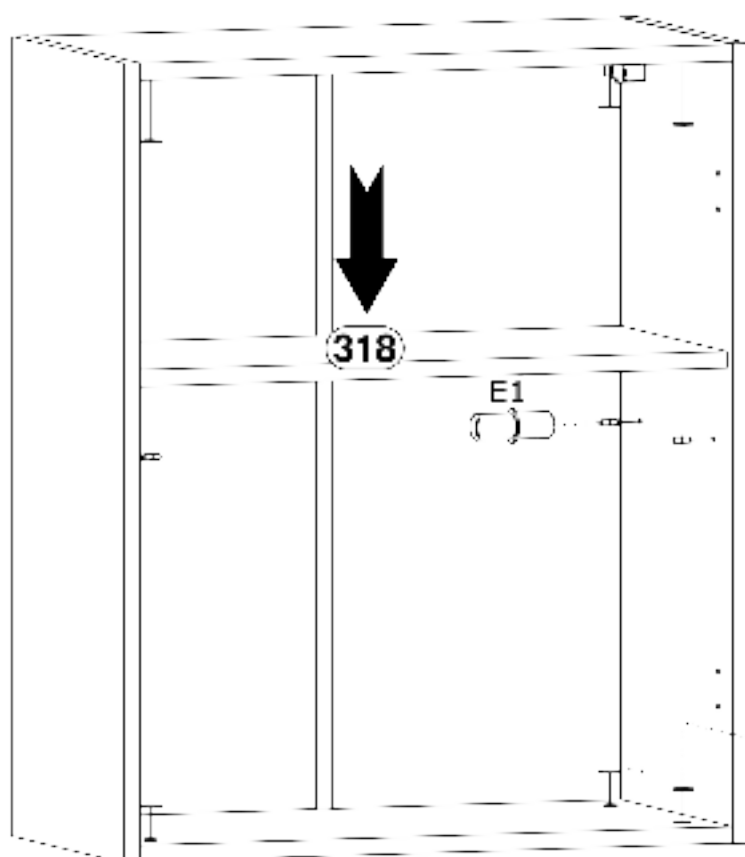


Ø5x16mm

J10 x8



Ø21mm



6

W2 x4

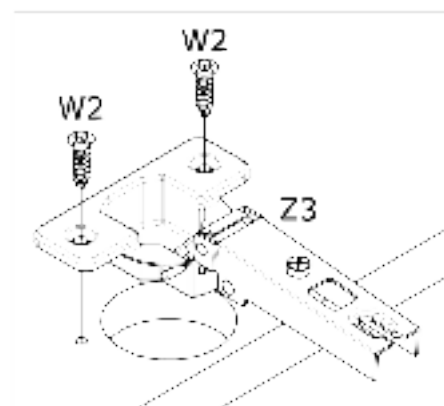
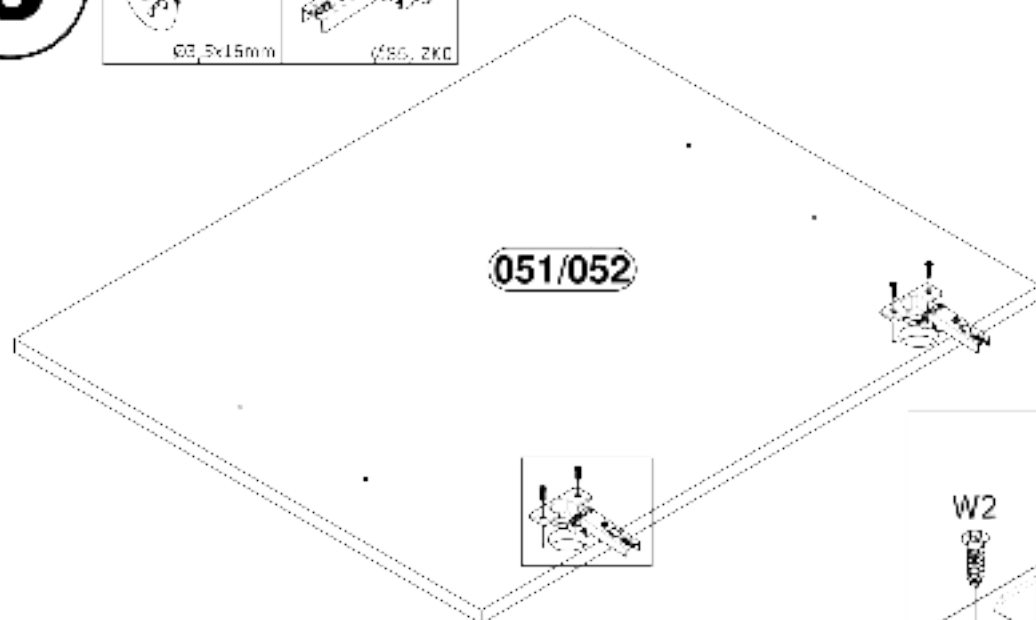


Ø8,5x15mm

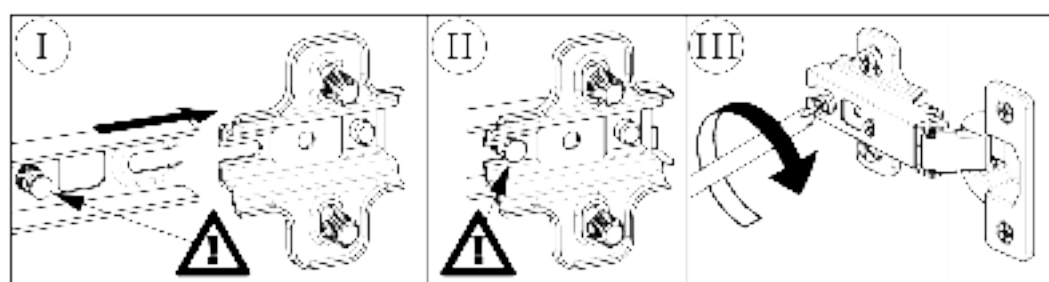
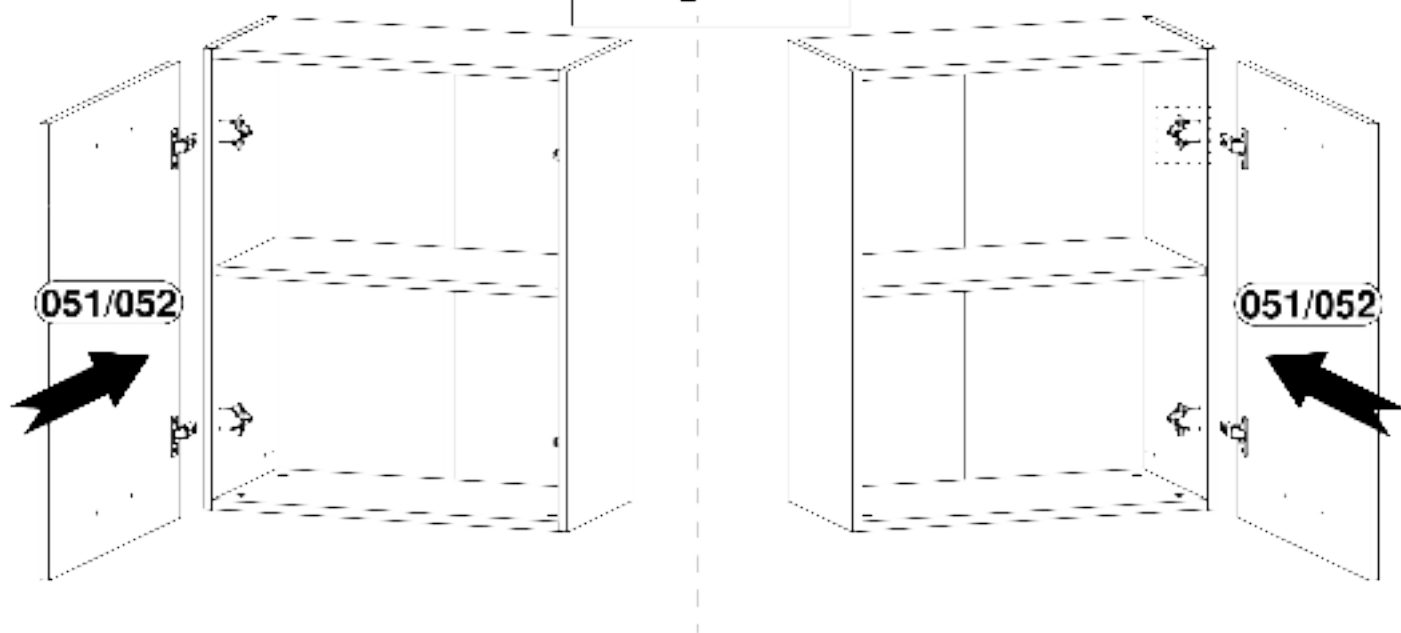
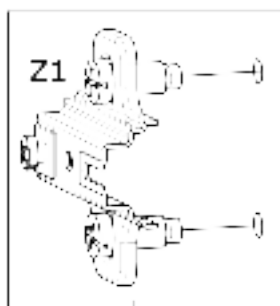
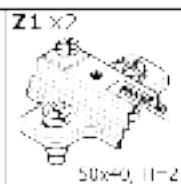
Z3 x2



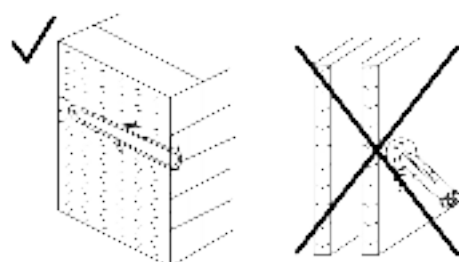
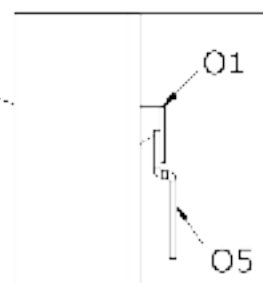
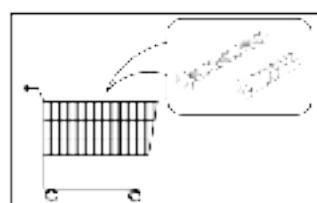
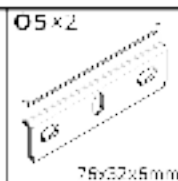
Ø85, 2KC



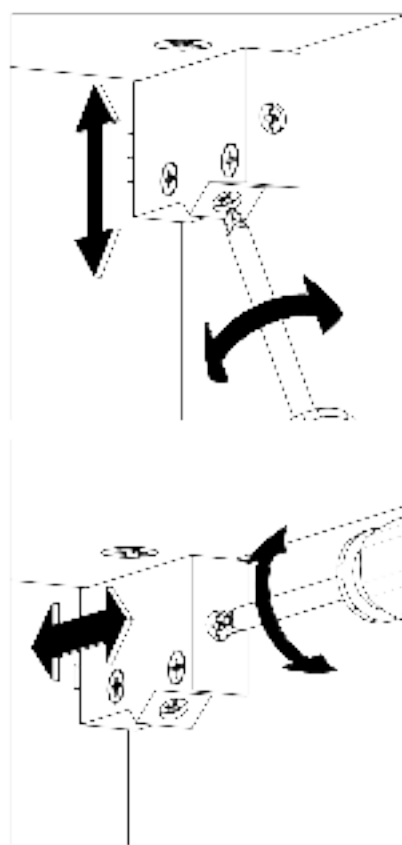
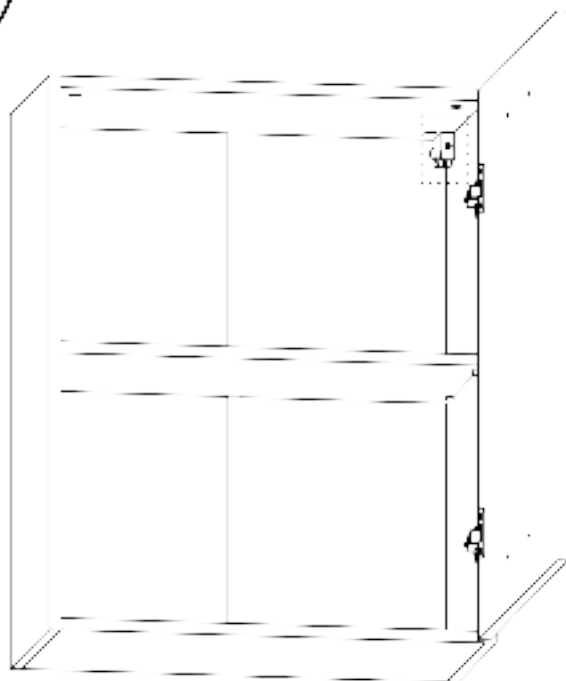
7



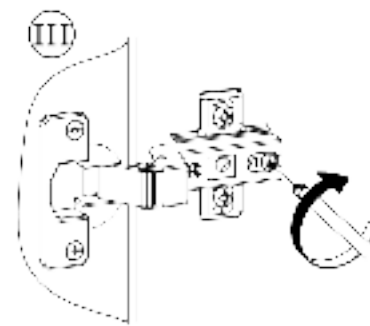
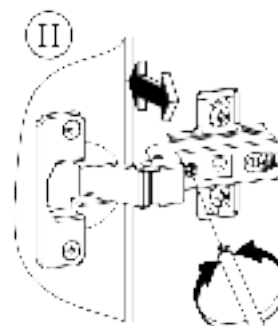
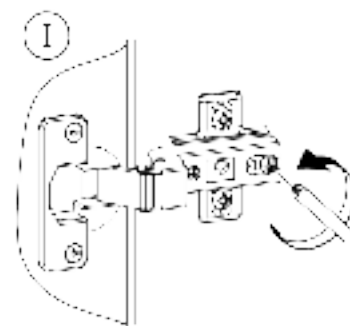
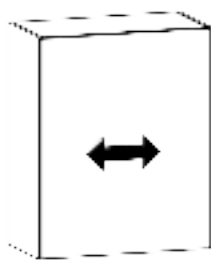
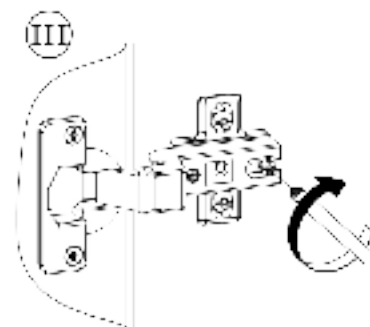
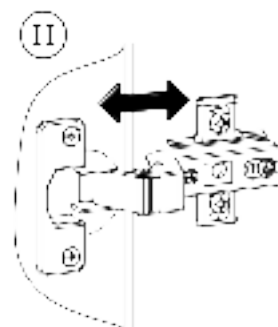
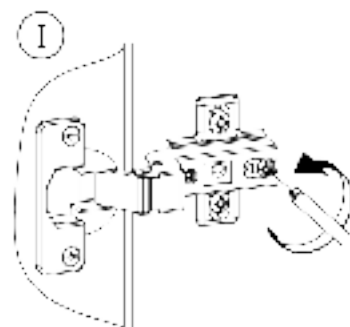
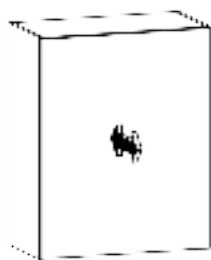
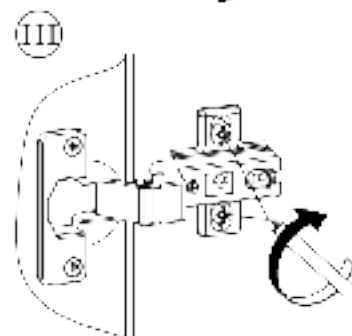
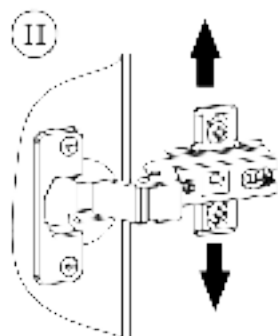
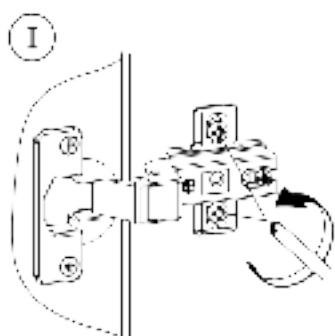
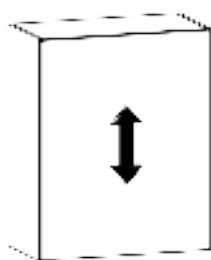
8



9



10



?

A

B

A

I20 x

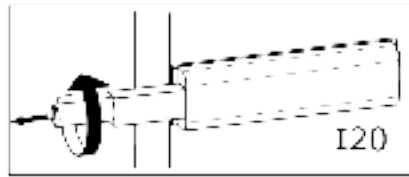


83x7 x 11 mm

W2 x



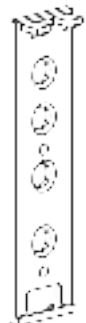
Ø5,5x15 mm



I20



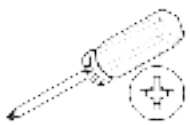
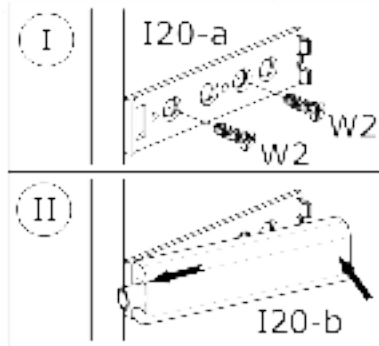
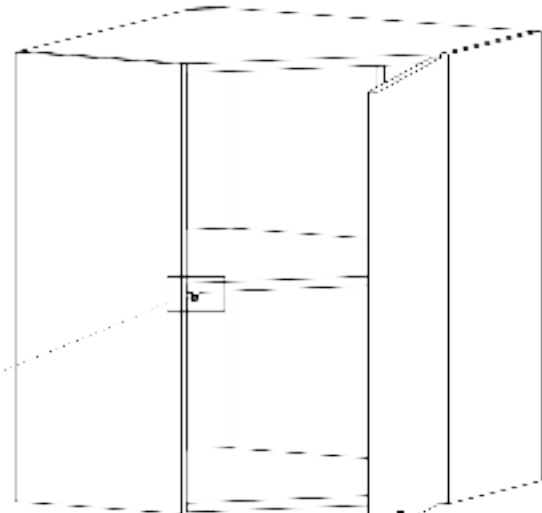
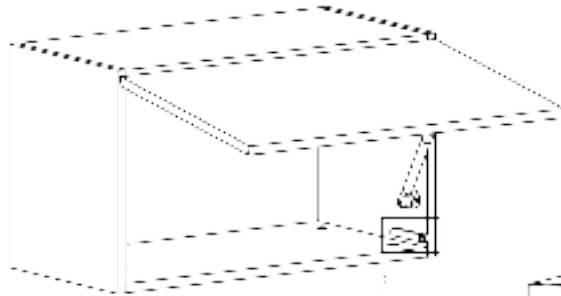
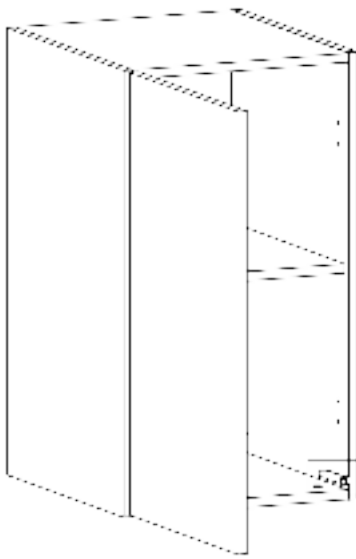
I20



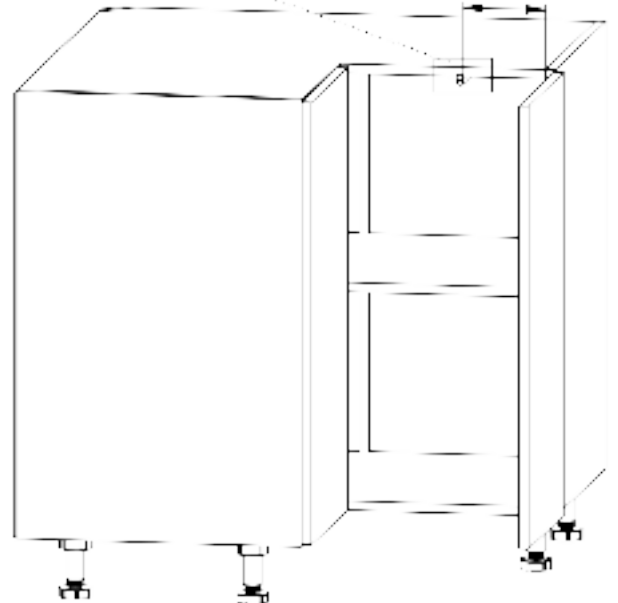
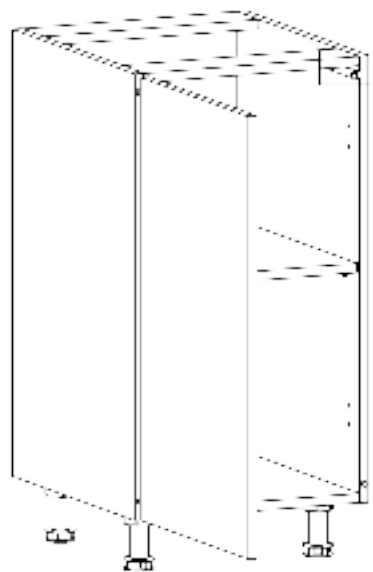
I20-a



I20-b

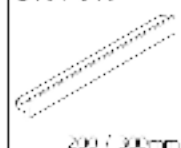


130 mm



B

U18 / U19



W5



Y1

