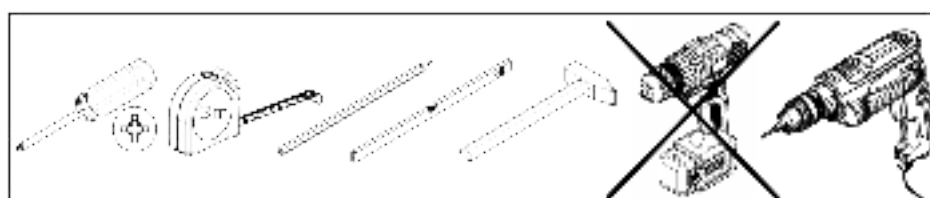
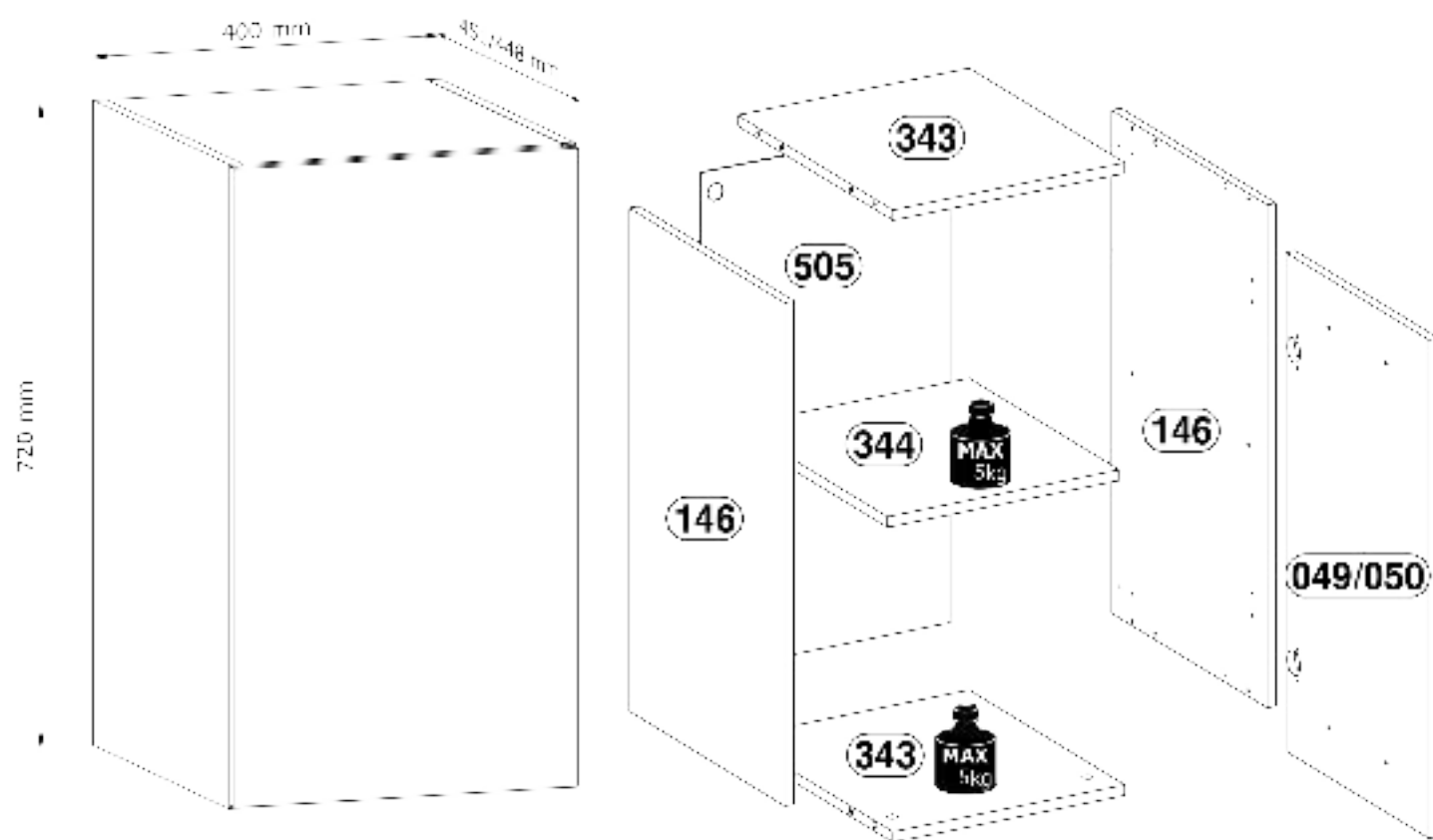
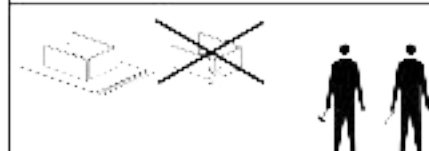


LANGEN

G40G



| | | | | |
|---------------------------------|-----------------------------|--------------------------------|--------------------------------|------------------------------|
| A1 x8 Ø8x35mm | B1 x8 Ø5x38mm | C1 x8 Ø15x12mm | E1 x4 Ø5x16mm | G1 x22 26mm |
| I20 x1 93x21x11mm | J10 x 8 Ø21mm | O1 x2 70x39x19mm | O5 x2 76x32x5mm | U18 x1 200mm |
| W2 x6 Ø3.5x15mm | W5 x6 Ø4x30mm | Y1 x2 Ø9x1.5mm | Z1 x2 50x40, H=2 | Z3 x2 Ø35, 2K0 |



| No. | L[mm] | W[mm] | H[mm] | PCS | BOX |
|---------|-------|-------|-------|-----|-----|
| 049/050 | 713 | 366 | 15-18 | 1 | 2/2 |
| 146 | 720 | 430 | 15 | 2 | 1/2 |
| 343 | 400 | 370 | 15 | 2 | 1/2 |
| 344 | 415 | 370 | 15 | 1 | 1/2 |
| 505 | 716 | 367 | 2.5 | 1 | 1/2 |

1

B1 x 8



Ø5x38mm

O1 x 2

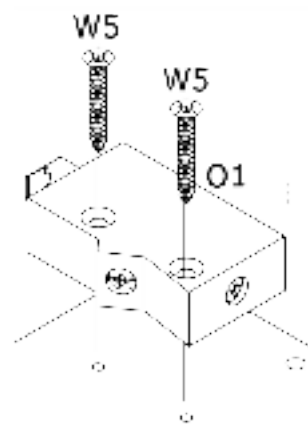
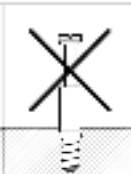
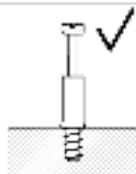


70x39x10mm

W5 x 4



Ø4x30mm



W5

W5

O1

B1



146

146

2

A1 x 8



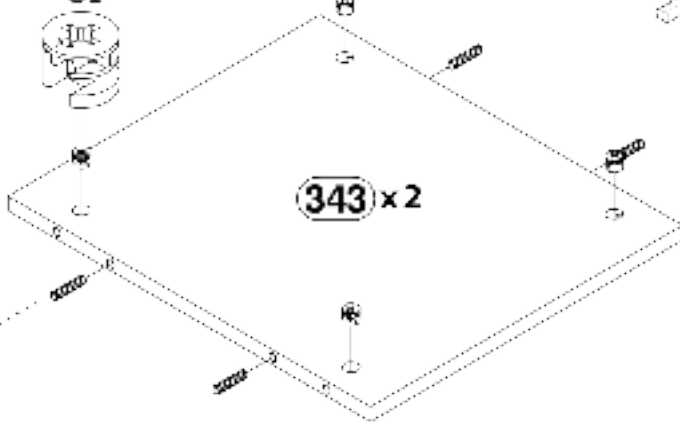
Ø8x35mm

C1 x 8



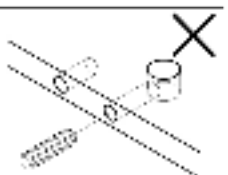
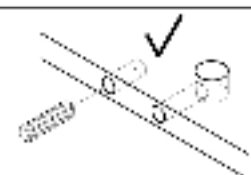
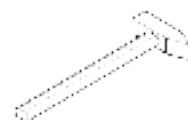
Ø15x12mm

C1

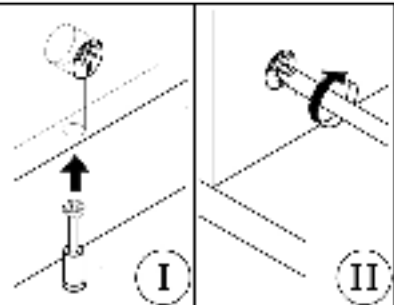
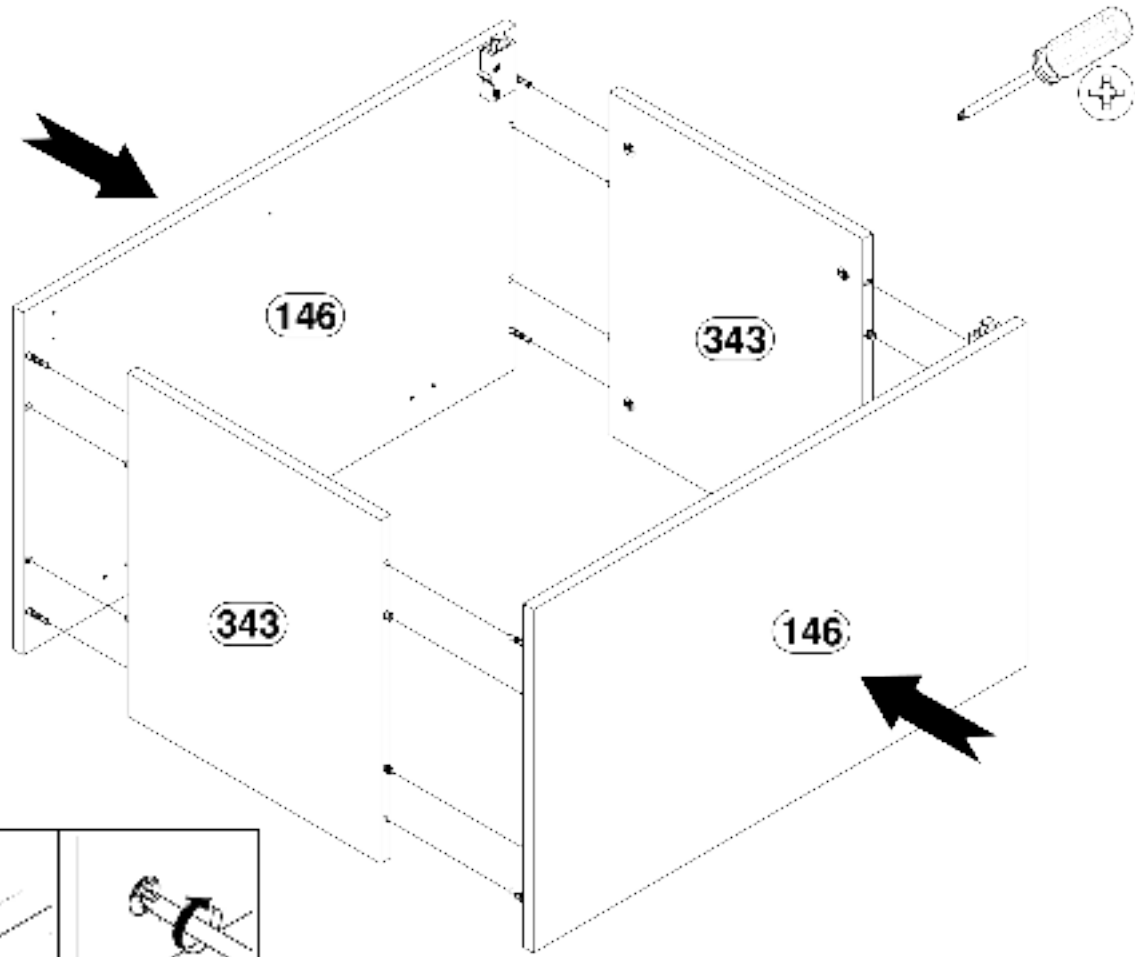


343 x 2

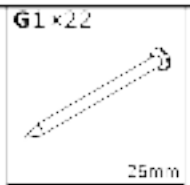
A1



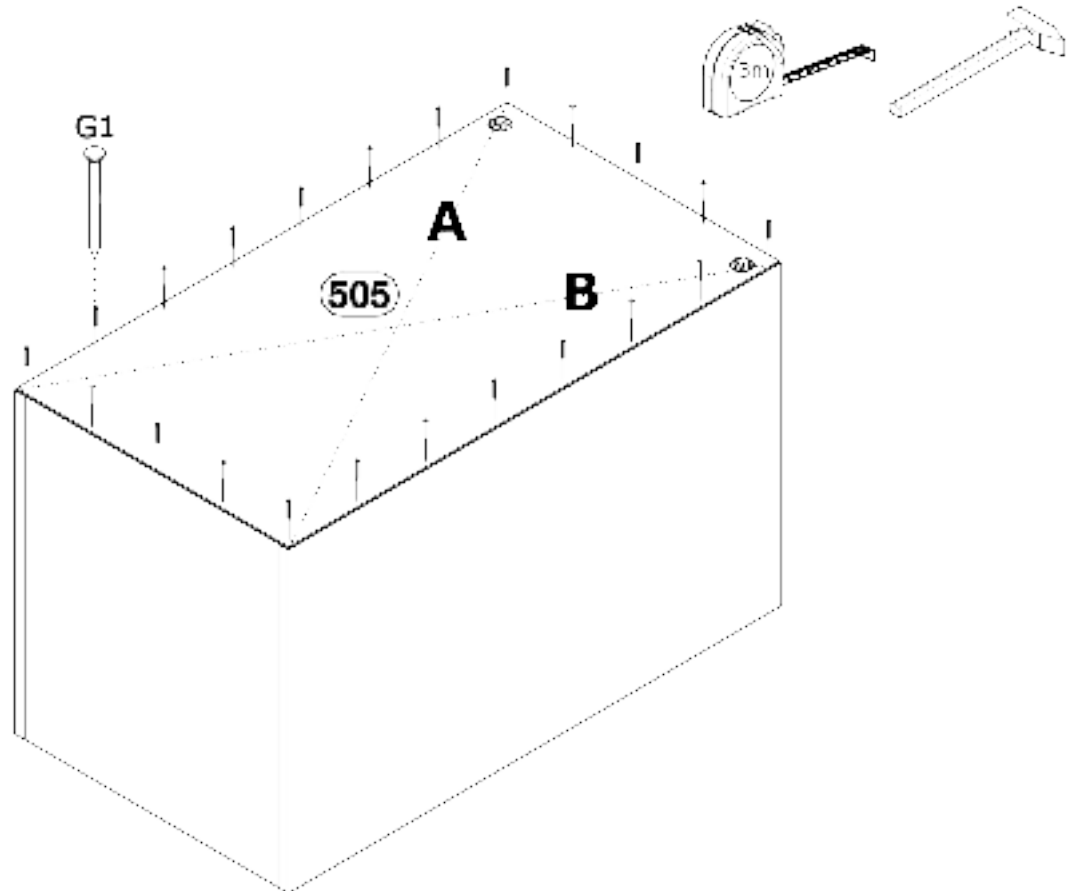
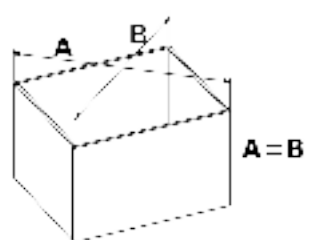
3



4



$A=B \equiv 90^\circ$



5

E1 x4

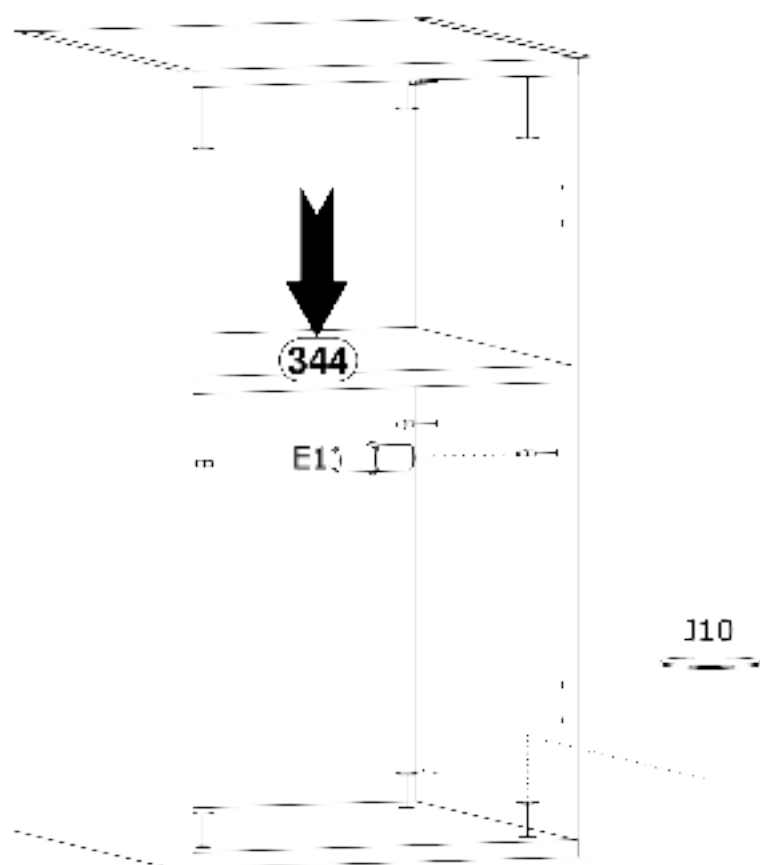


Ø5x16mm

J10 x8



Ø21mm



6

W2 x4

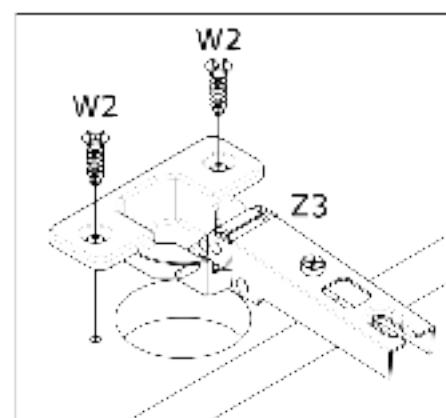
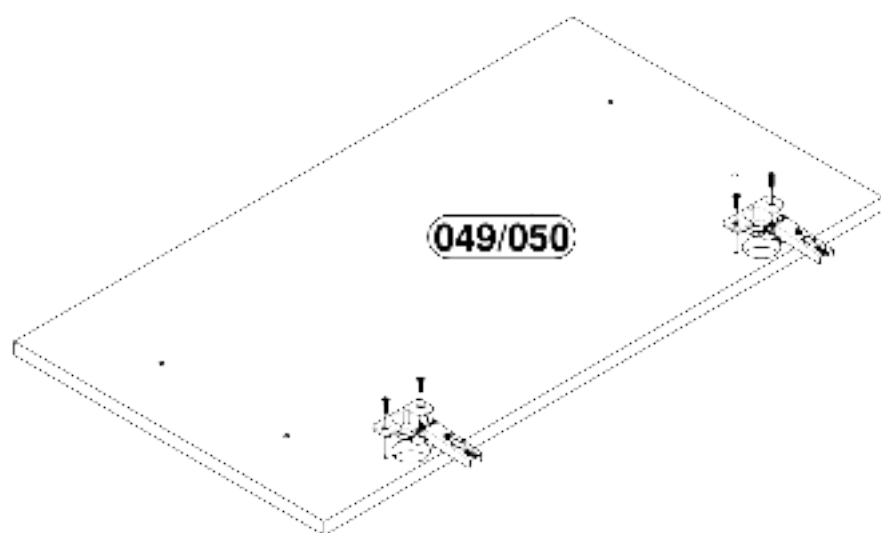


Ø3,5x15mm

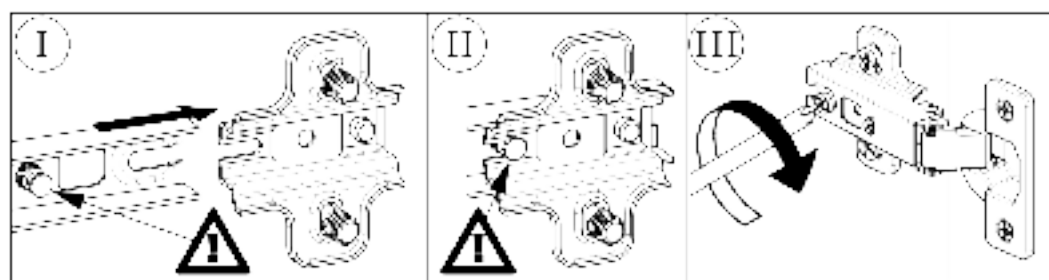
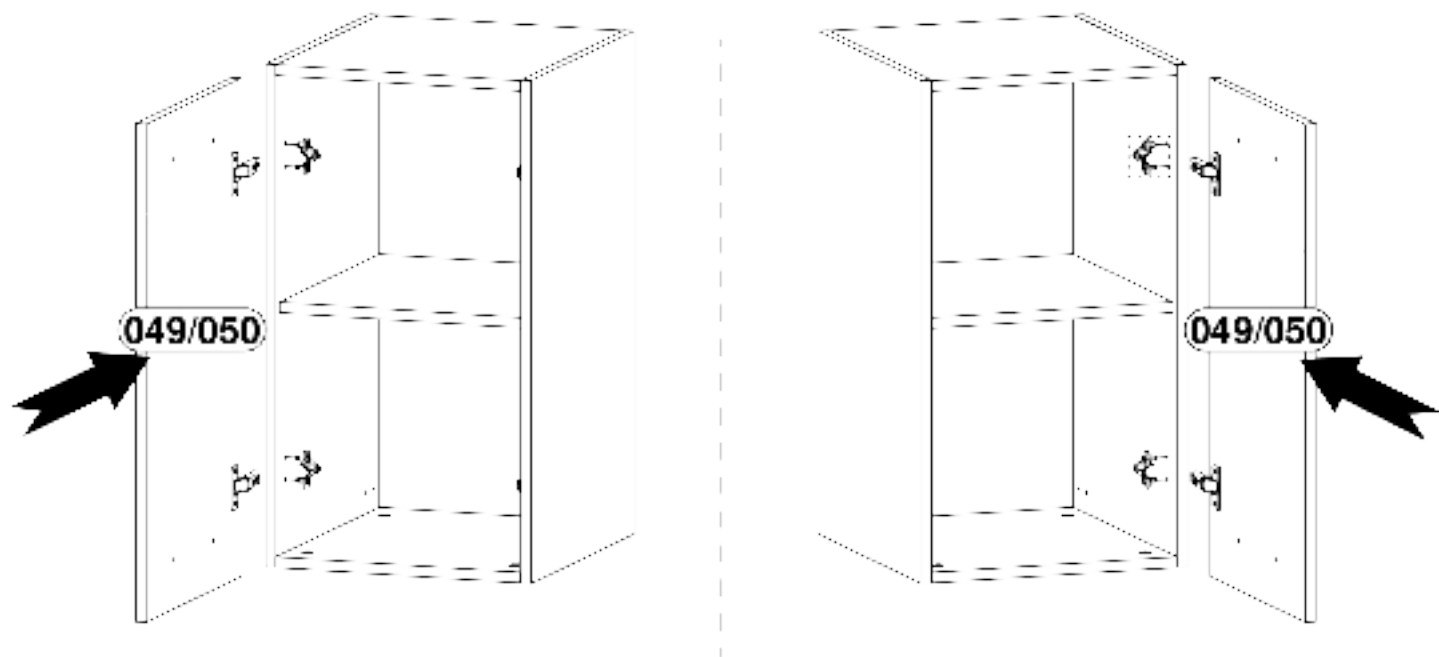
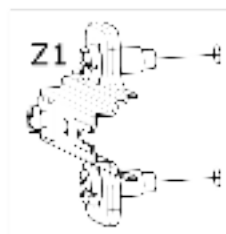
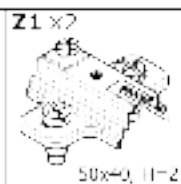
Z3 x2



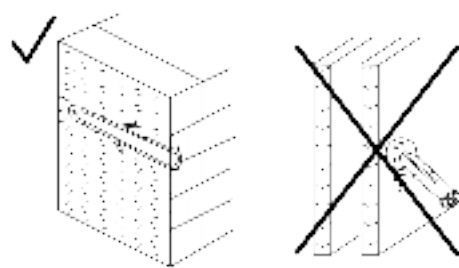
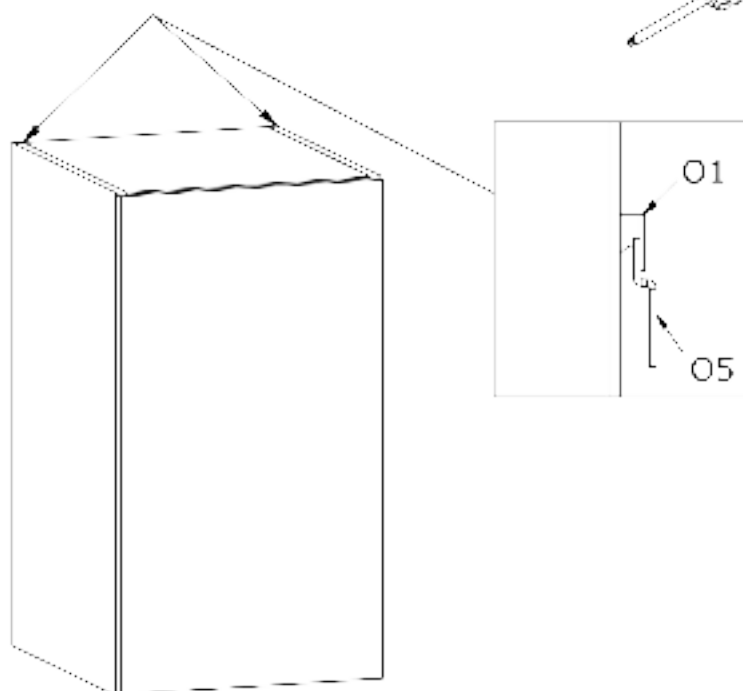
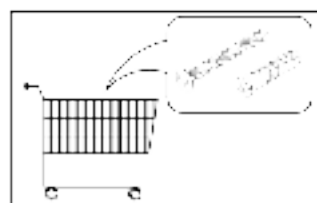
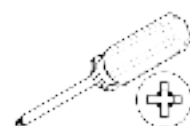
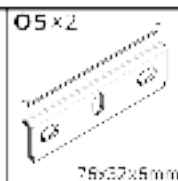
Ø86,2x30



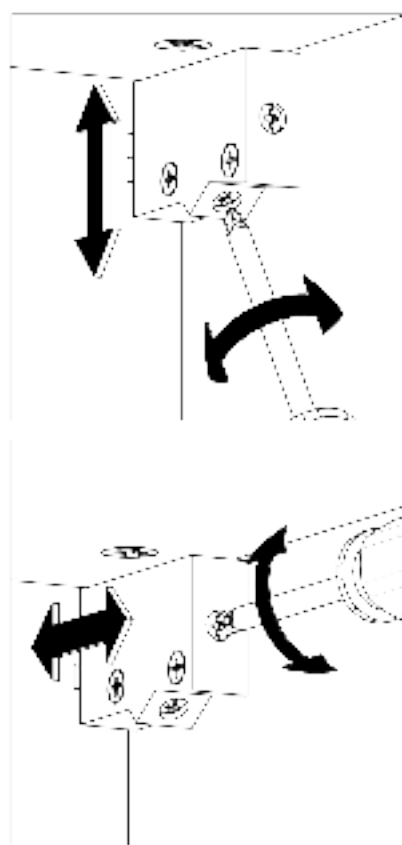
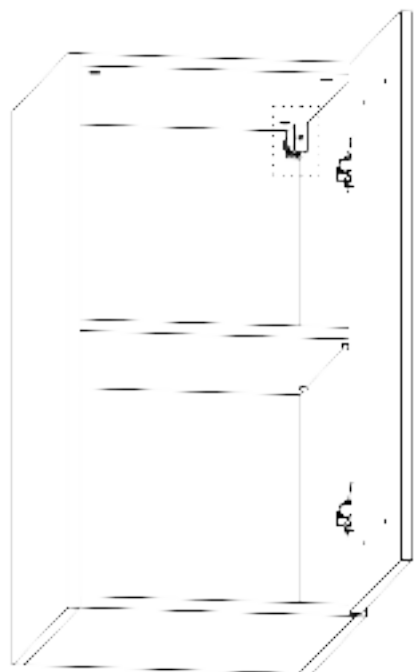
7



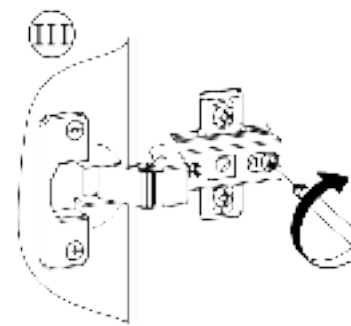
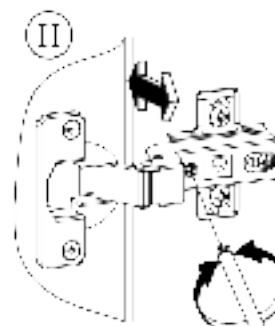
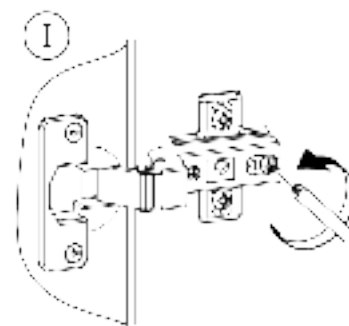
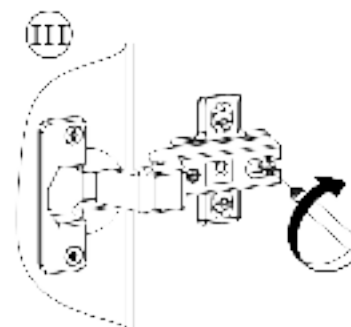
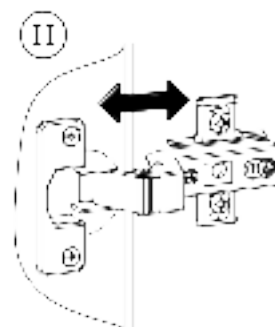
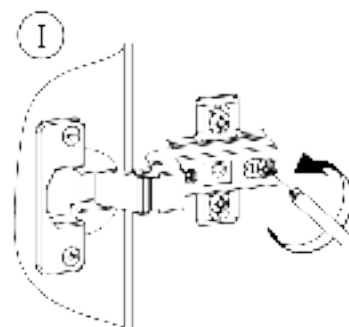
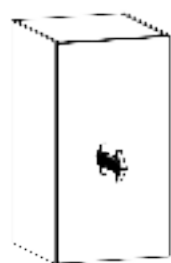
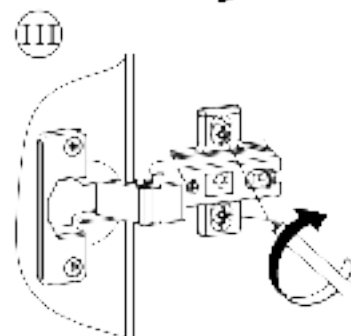
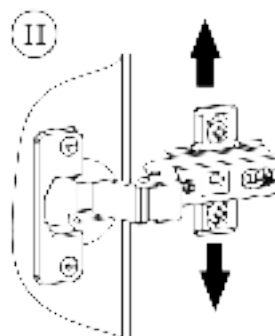
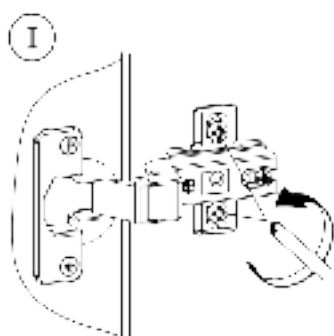
8



9



10



?

A

B

A

I20 x

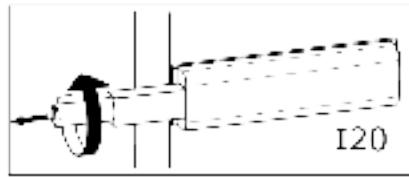


83x7 x 11 mm

W2 x



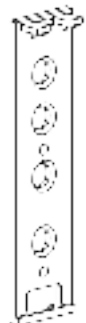
Ø5,5x15 mm



I20



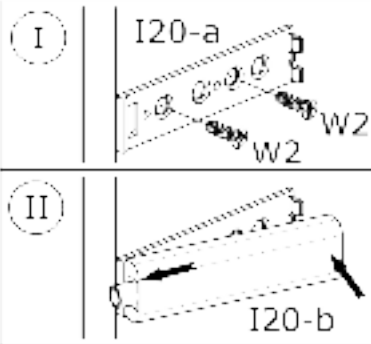
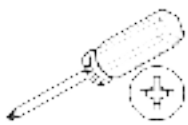
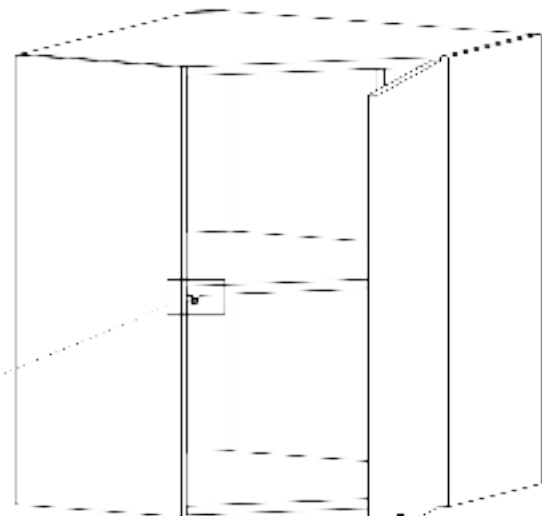
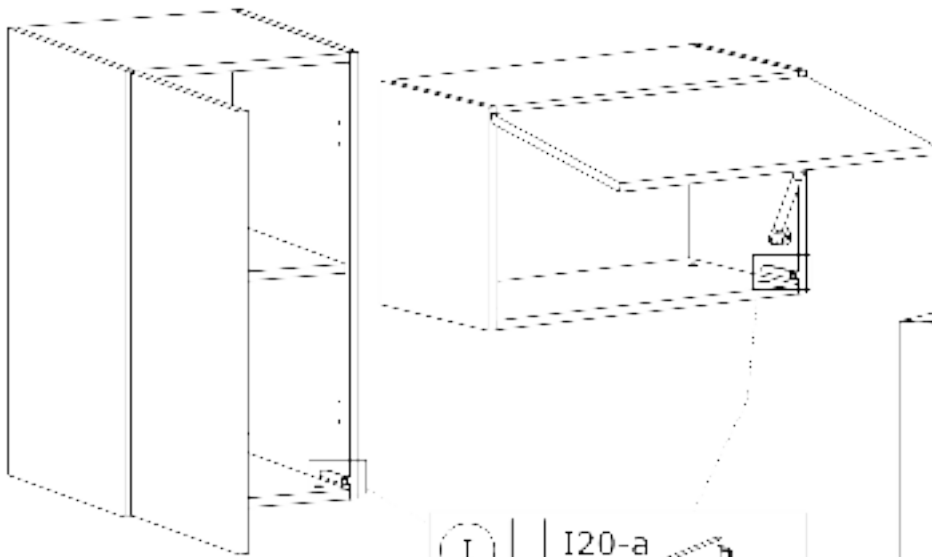
I20



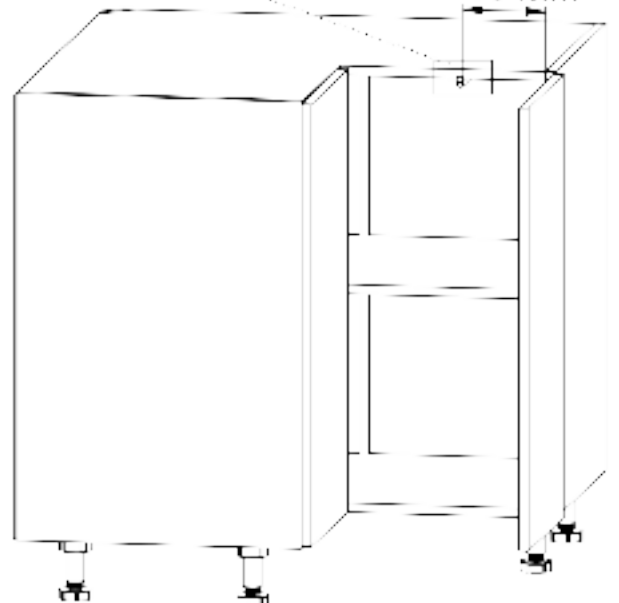
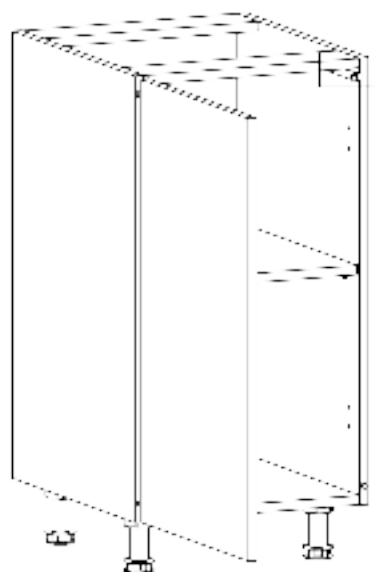
I20-a



I20-b

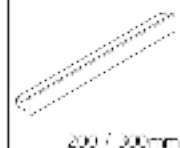


130 mm



B

U18 / U19



W5



Y1

