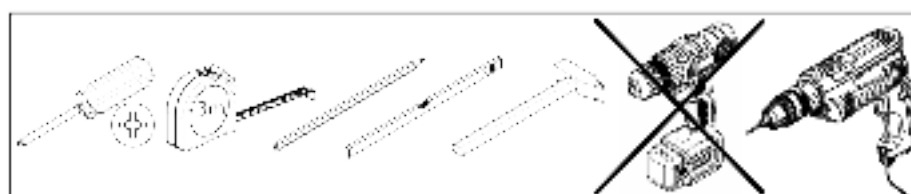
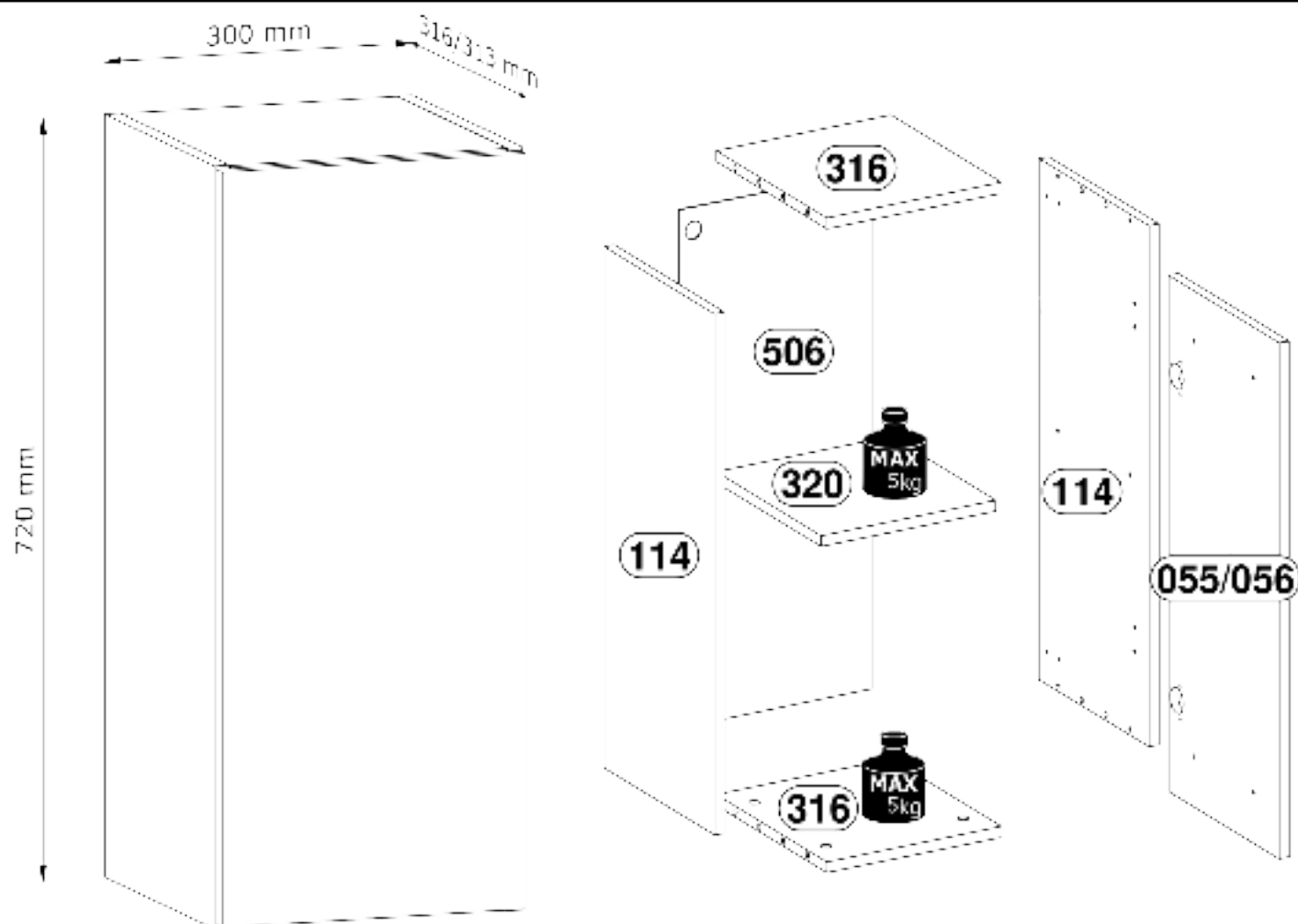


LANGEN

G30



A1 x8 66x35mm	B1 x8 Ø5x38mm	C1 x8 Ø15x12mm	E1 x4 Ø5x15mm	G1 x20 25mm
I20 x1 63x21x11mm	J10 x8 32mm	O1 x2 70x39x16mm	O5 x2 76x32x6 mm	U18 x1 200mm
W2 x6 Ø14,5x11mm	W5 x6 14x10mm	Y1 x2 38x1,5mm	Z1 x2 50x40, H=2	Z3 x2 Ø35, 2K0



№	Qunt	W (mm)	H (mm)	P x R	B x D
055/056	7	257	1518	16	21
114	7	257	16	16	16
316	257	257	16	16	16
506	257	257	16	16	16
320	7	252	21	16	16

1

B1 x8



Ø5x38mm

O1 x2

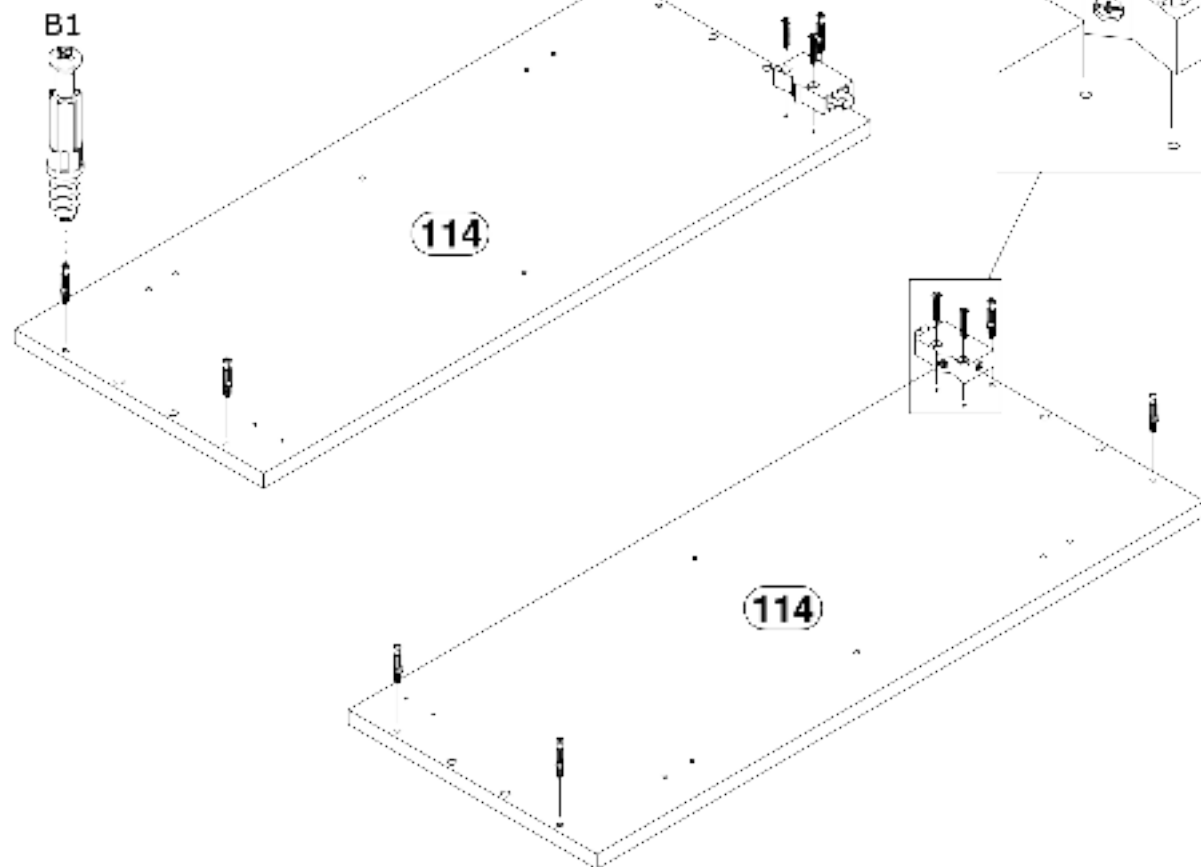
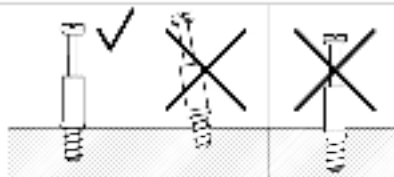


7Cx39x10mm

W5 x4

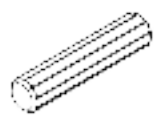


Ø4x30mm



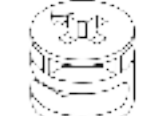
2

A1 x8

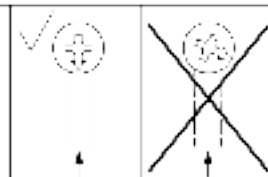
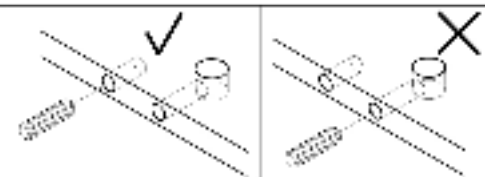
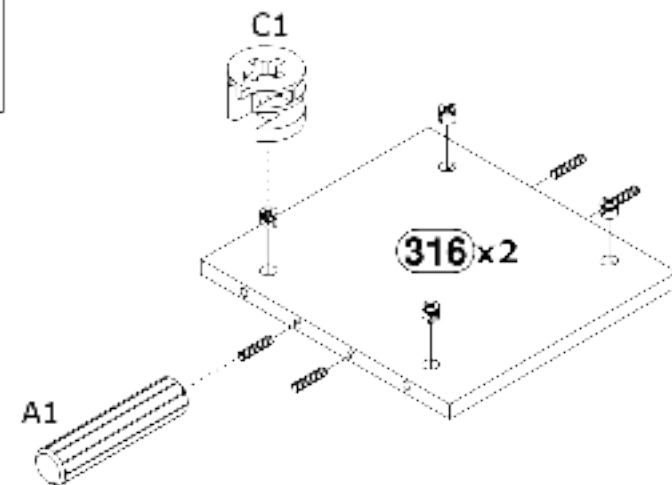


Ø8x35mm

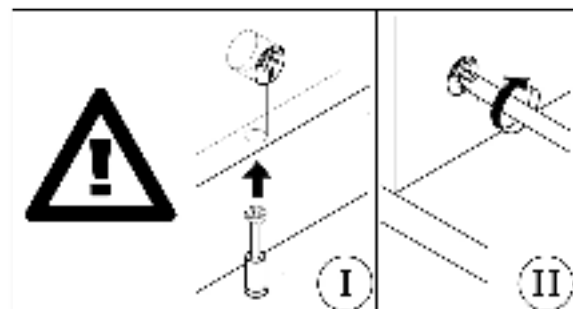
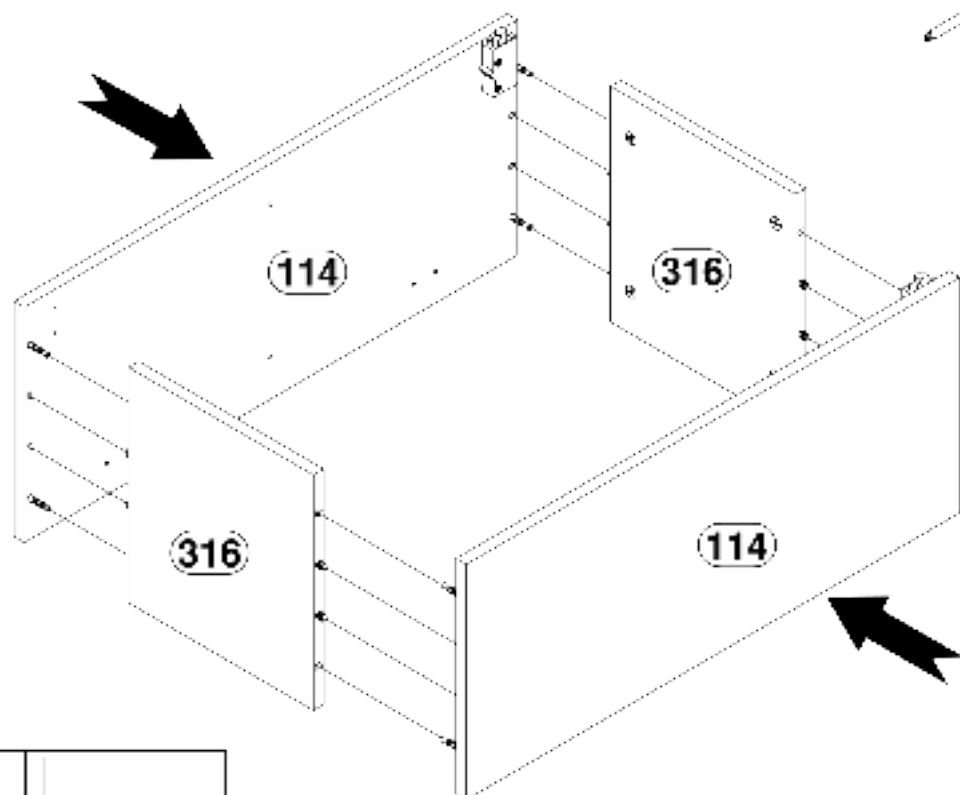
C1 x8



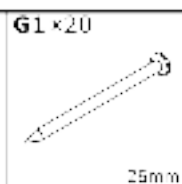
Ø15x12mm



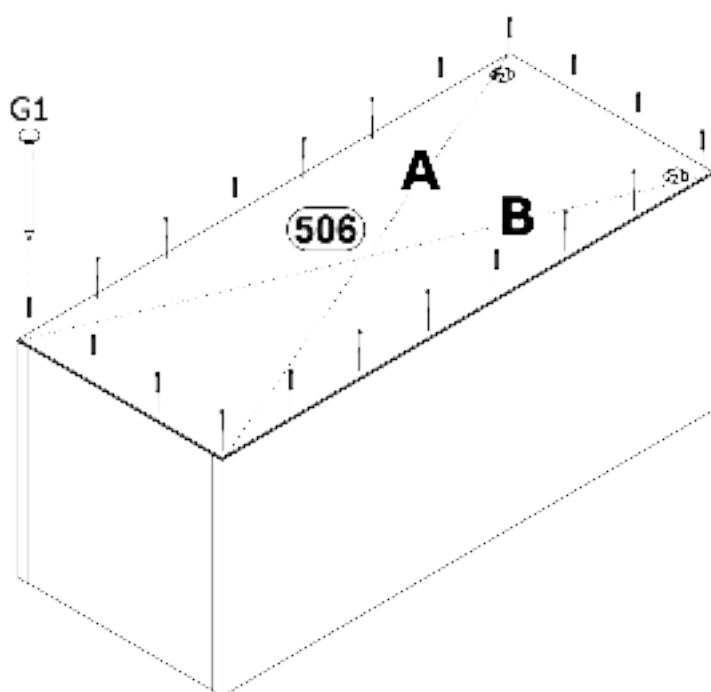
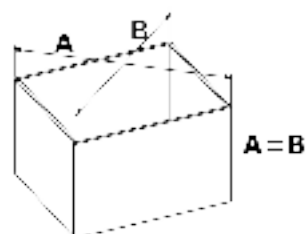
3



4

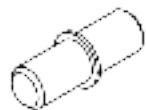


$A=B \equiv 90^\circ$



5

E1 x4

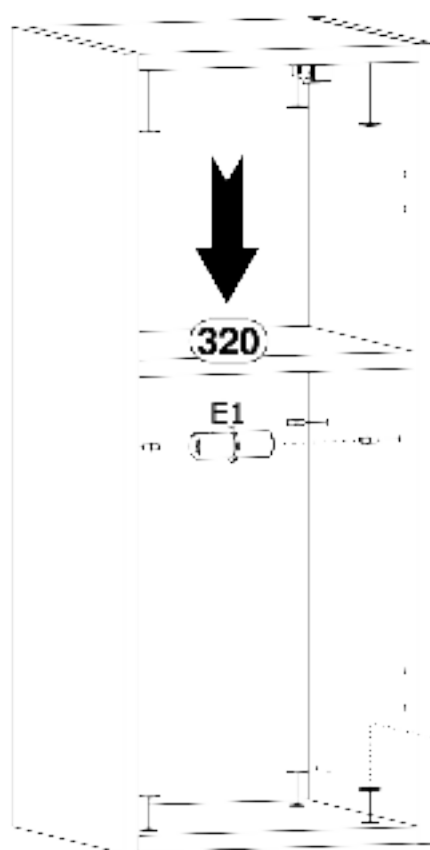


Ø5x16mm

J10x8



Ø21mm



6

W2 x4

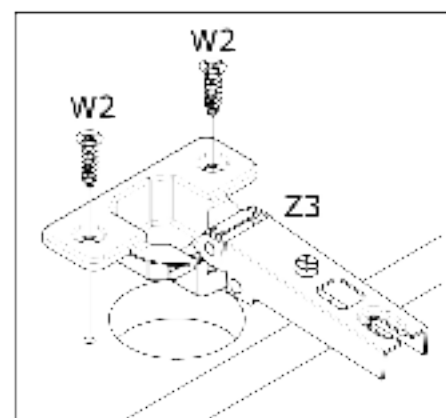
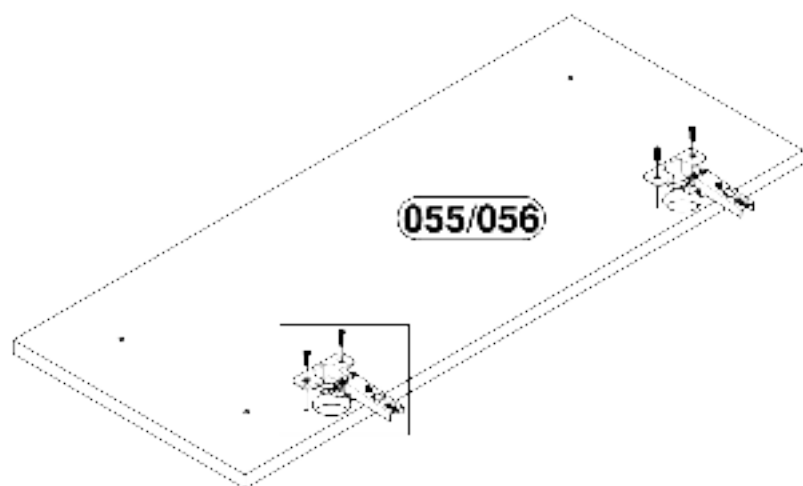


Ø3,5x15mm

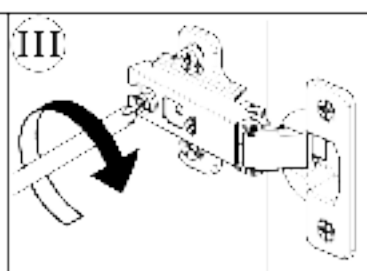
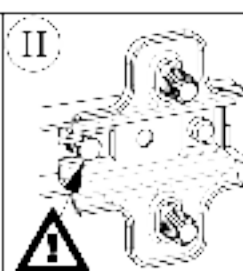
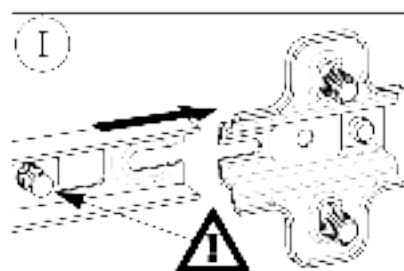
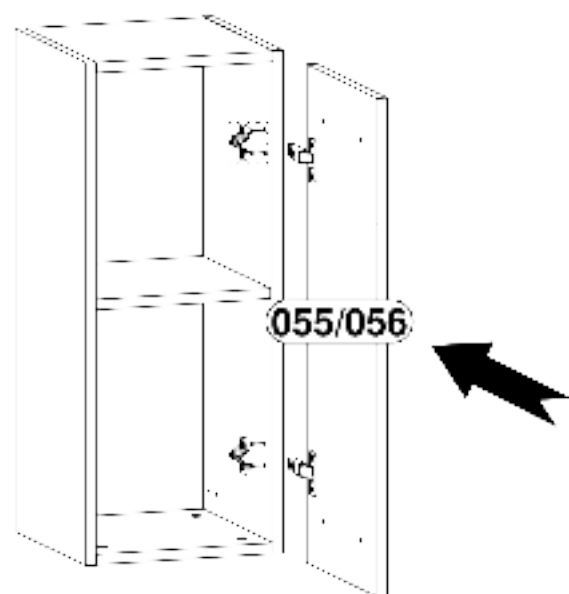
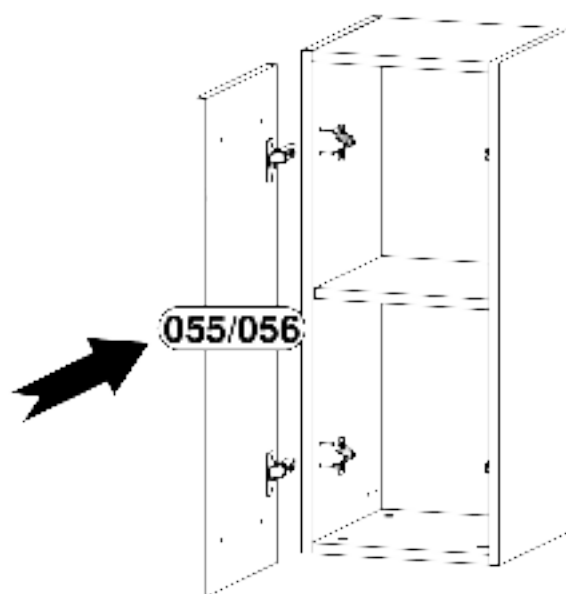
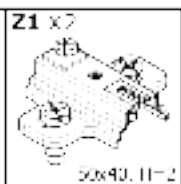
Z3 x2



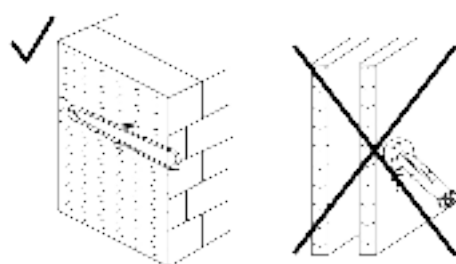
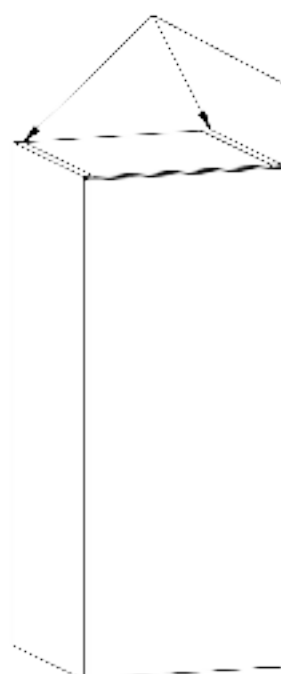
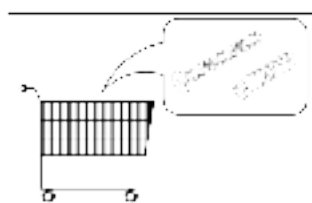
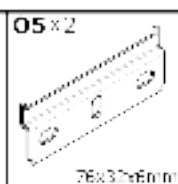
Ø86,2x30



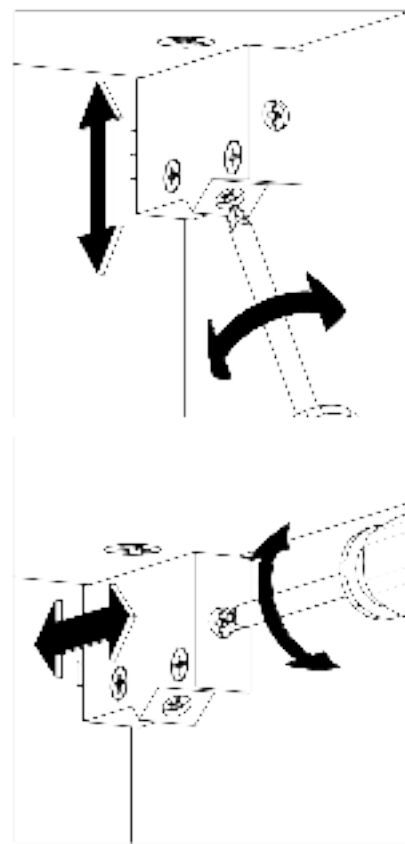
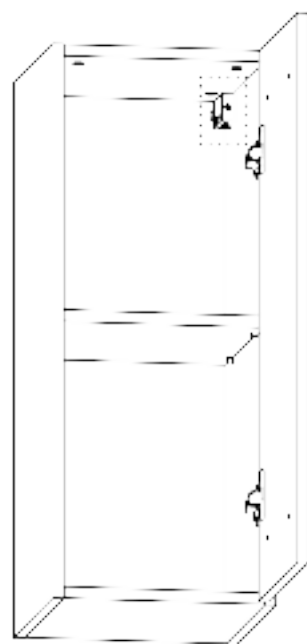
7



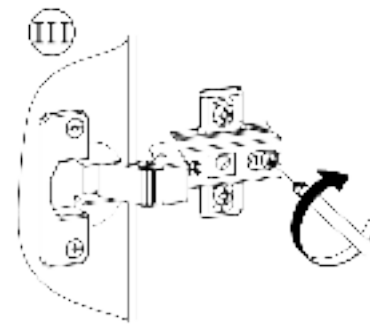
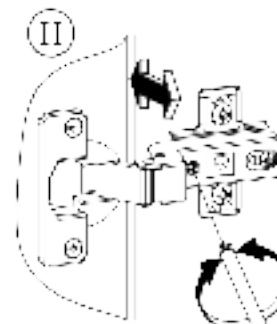
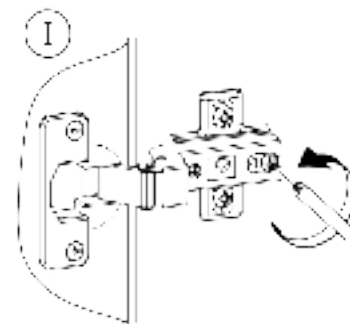
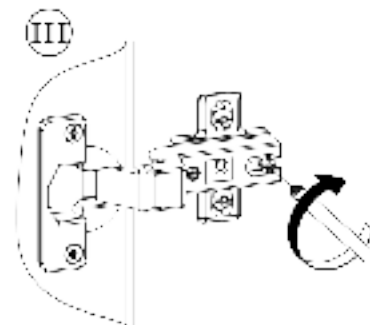
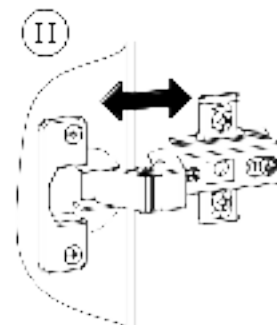
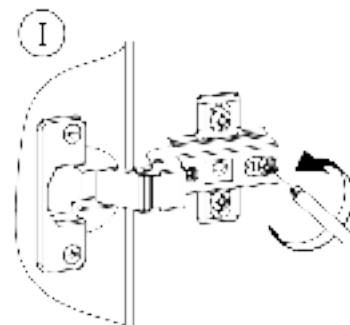
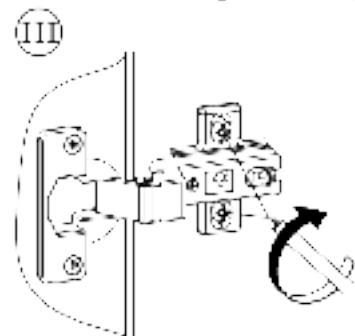
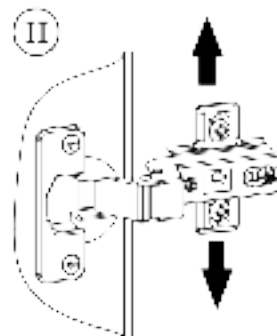
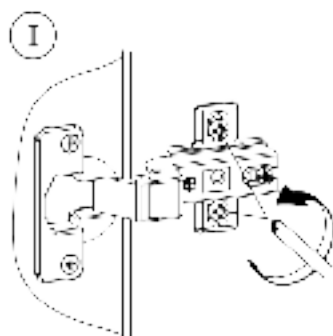
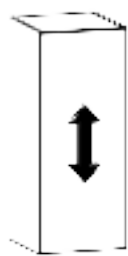
8



9



10



?

A

B

A

I20 x

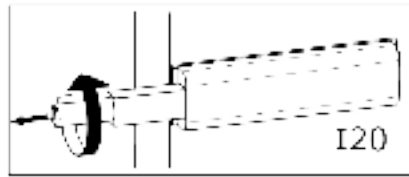


83x7 x 11 mm

W2 x



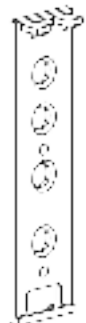
Ø5,5x15 mm



I20



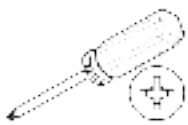
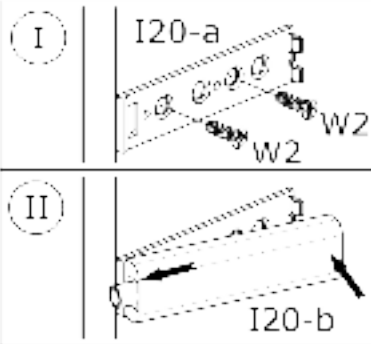
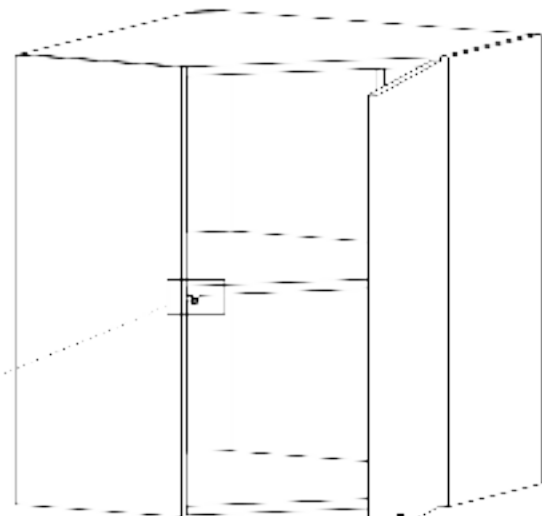
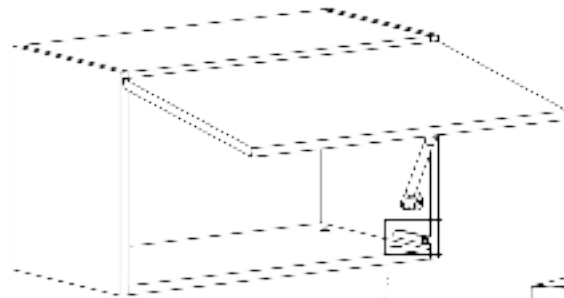
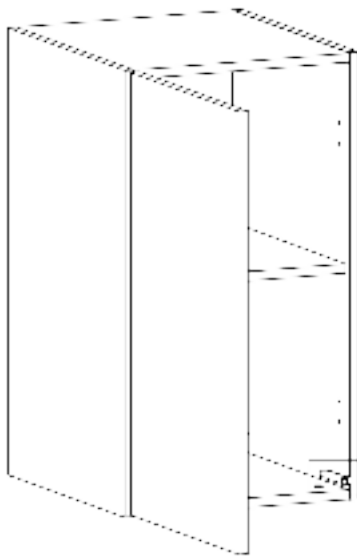
I20



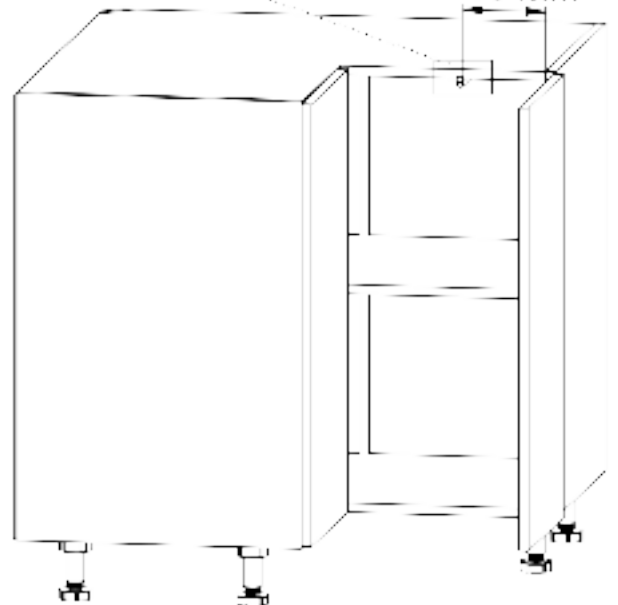
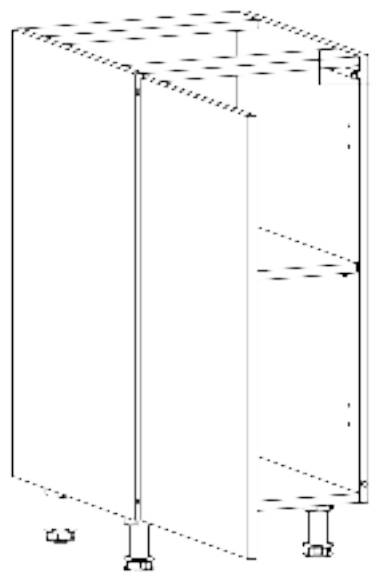
I20-a



I20-b

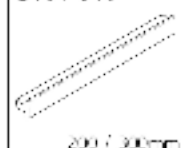


130 mm



B

U18 / U19



200 / 300mm

W5

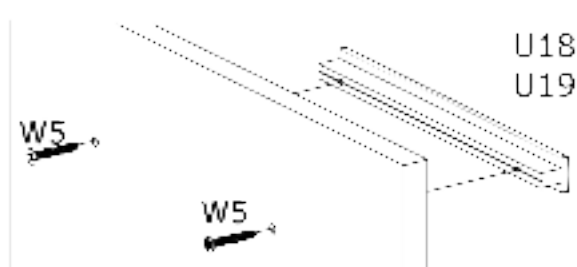


04x30mm

Y1



Ø9x1.5mm



U18
U19

