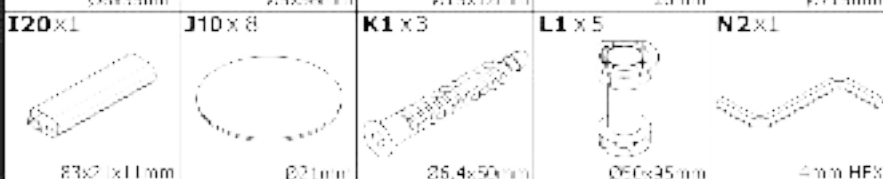
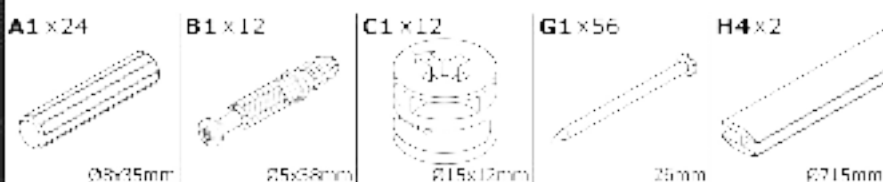
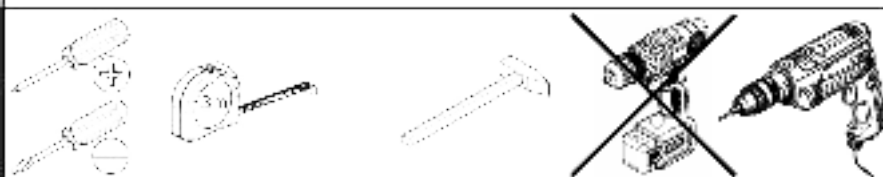
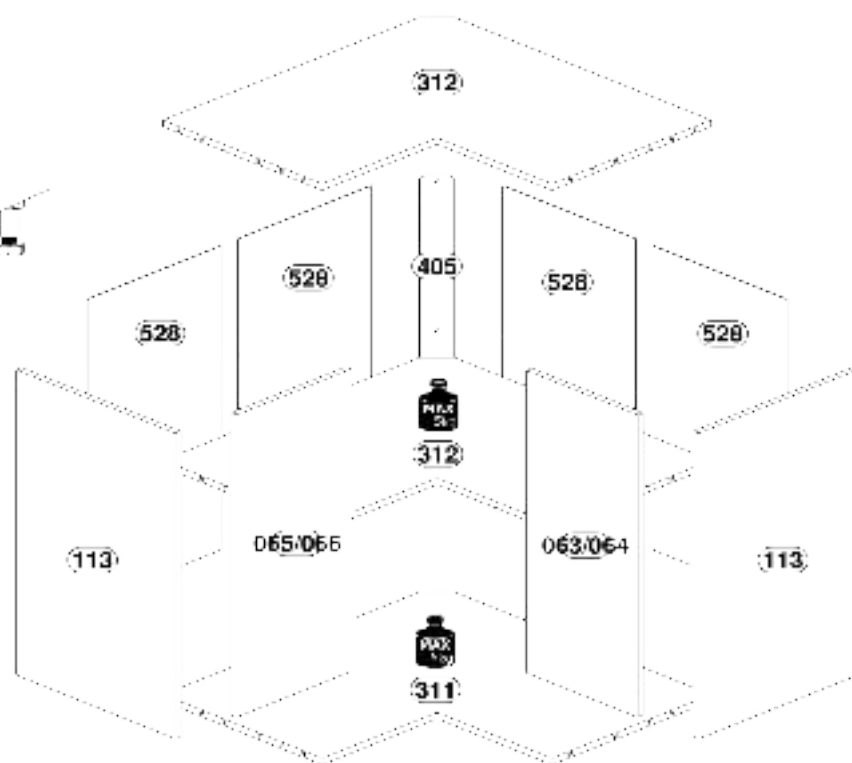
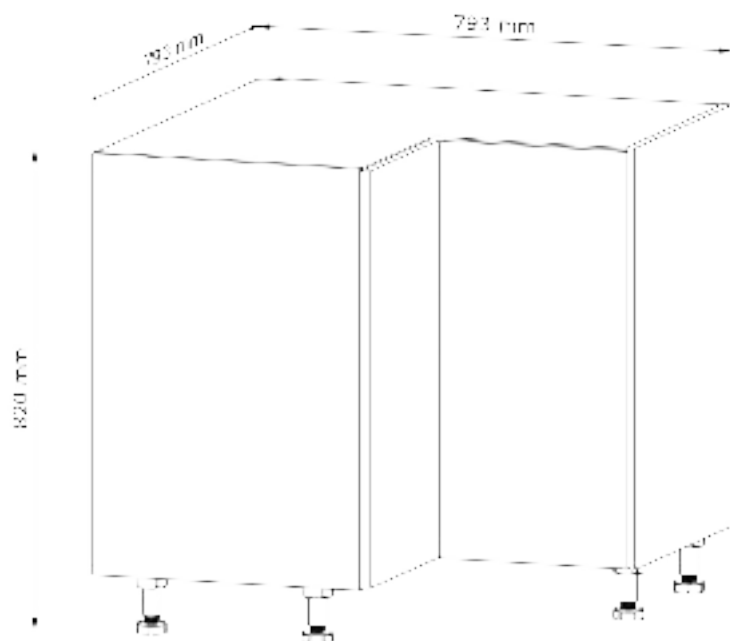


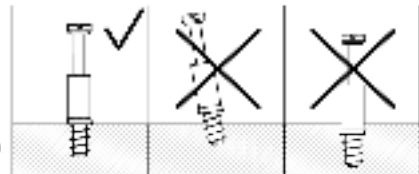
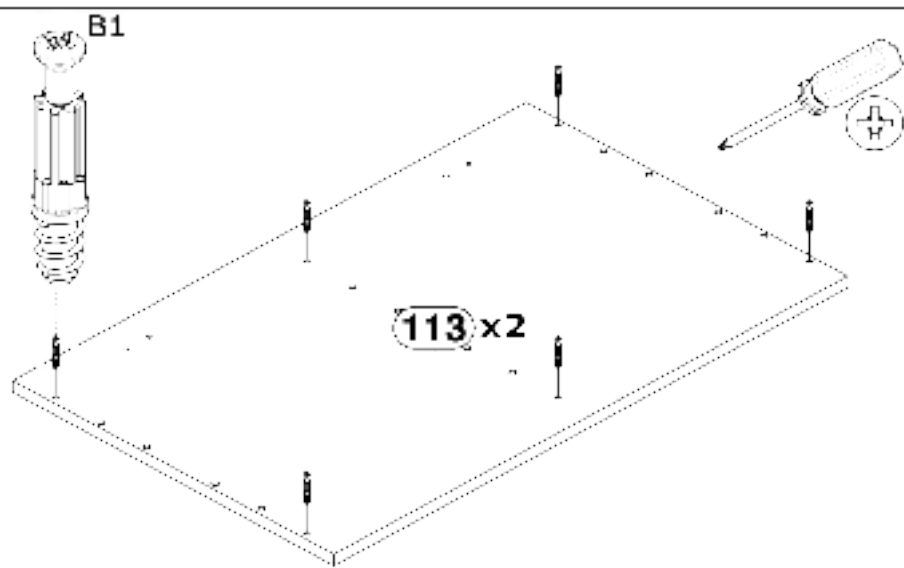
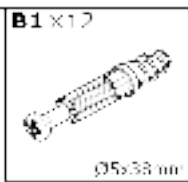
LANGEN

D90N

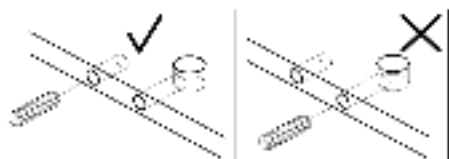
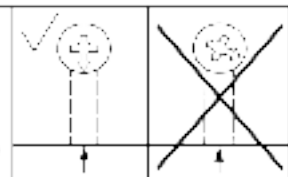
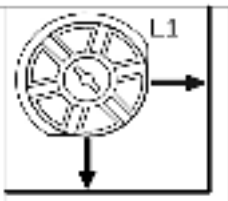
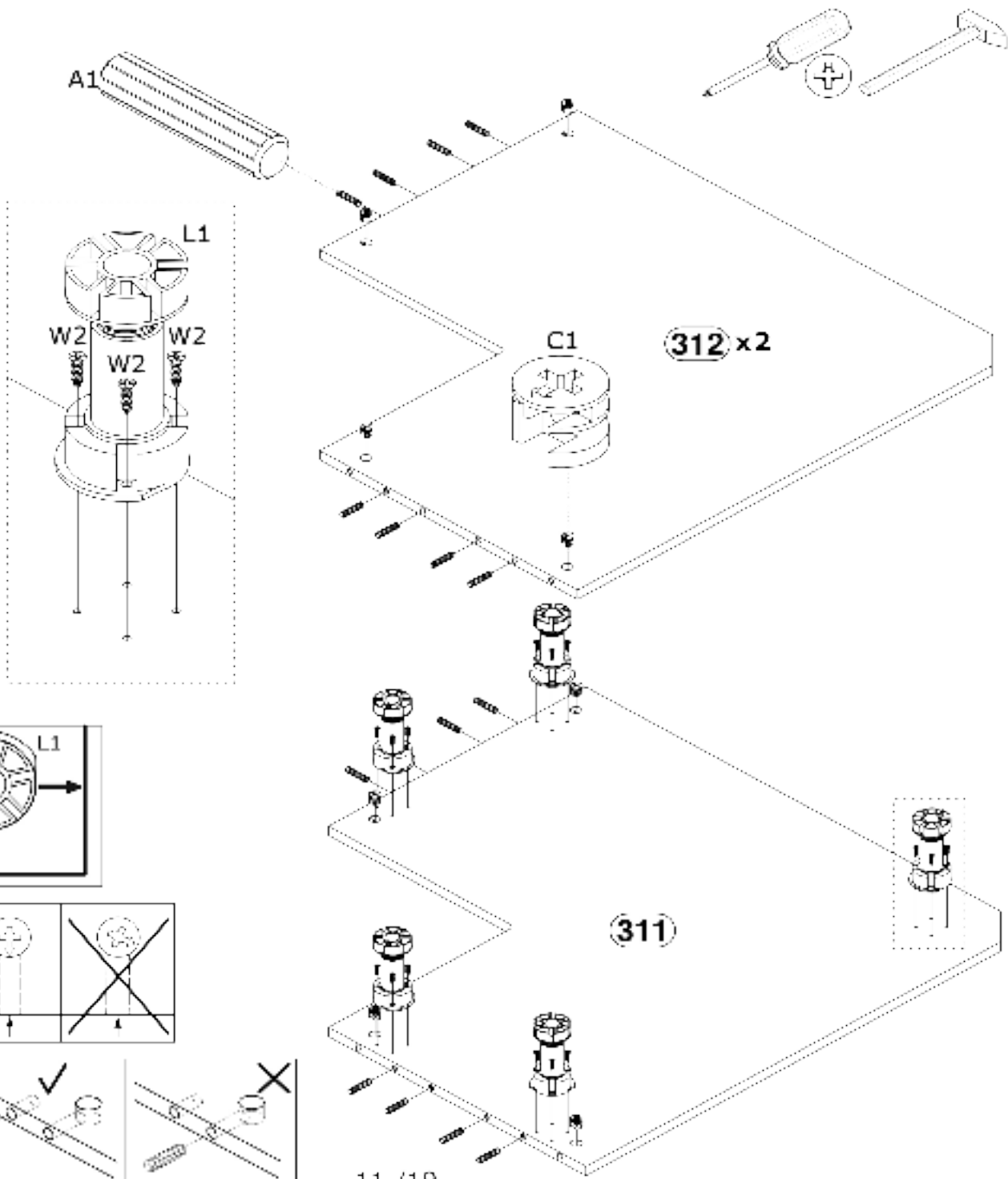
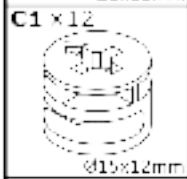
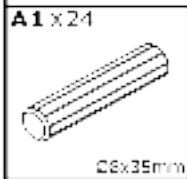


Nr	L[mm]	W[mm]	M[mm]	PCS	BOX
063/064	713	315	15/18	1	3/3
065/066	713	325	15/18	1	3/3
113	720	450	15	2	2/3
311	775	775	15	1	1/3
312	775	775	15	2	1/3
405	720	70	15	1	1/3
528	716	377	2,5	4	2/3

1

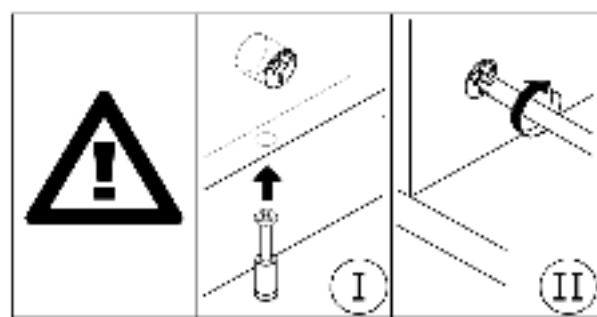
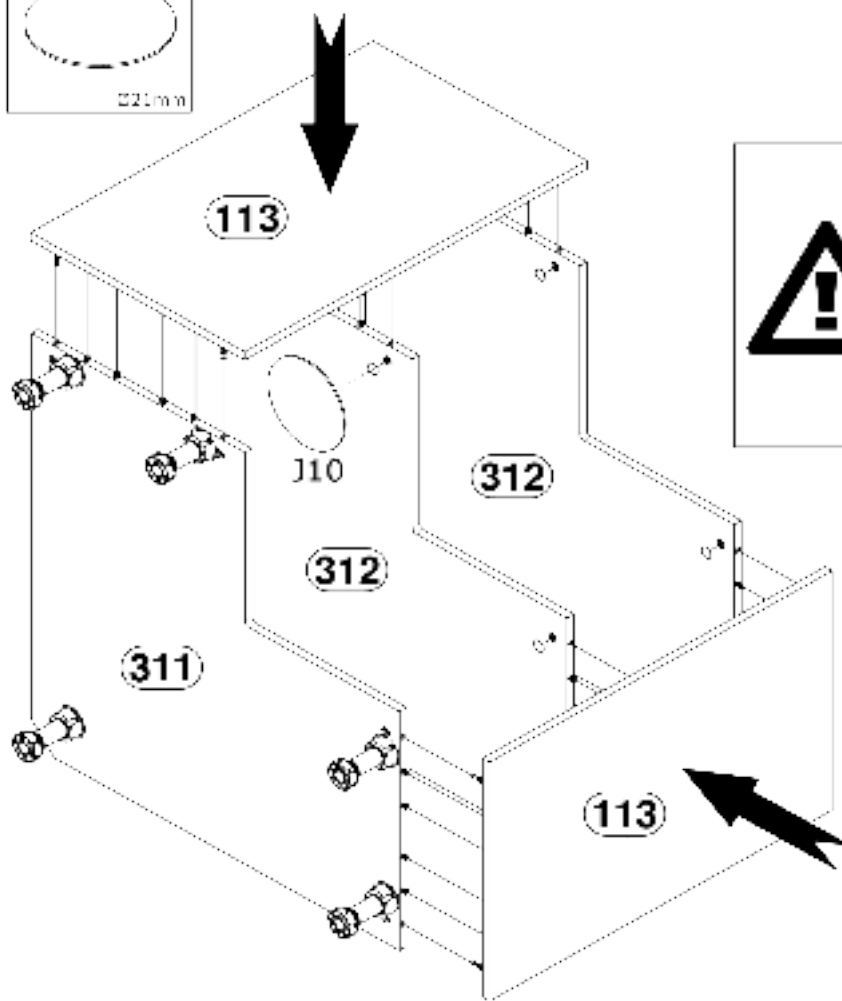
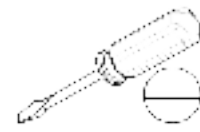


2



3

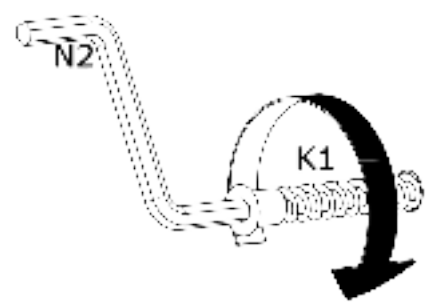
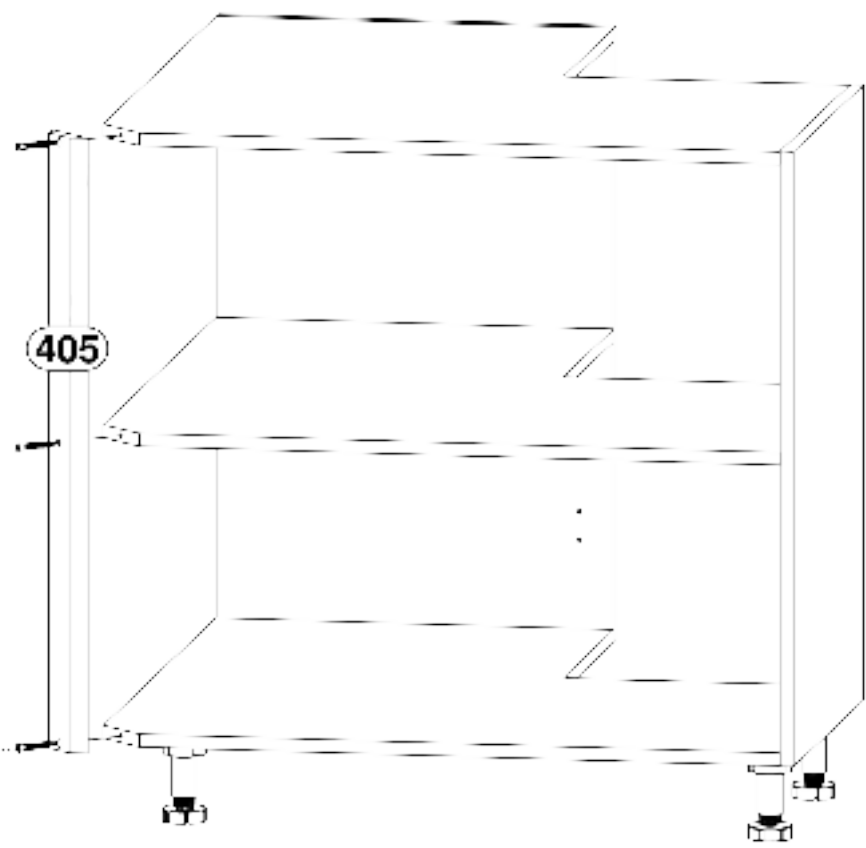
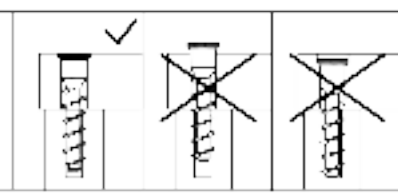
J10 x 8
Ø21mm



4

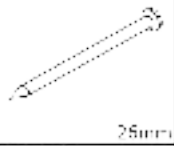
K1 x3
36,4x50mm

N2 x1
4cm HF

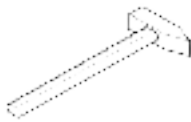
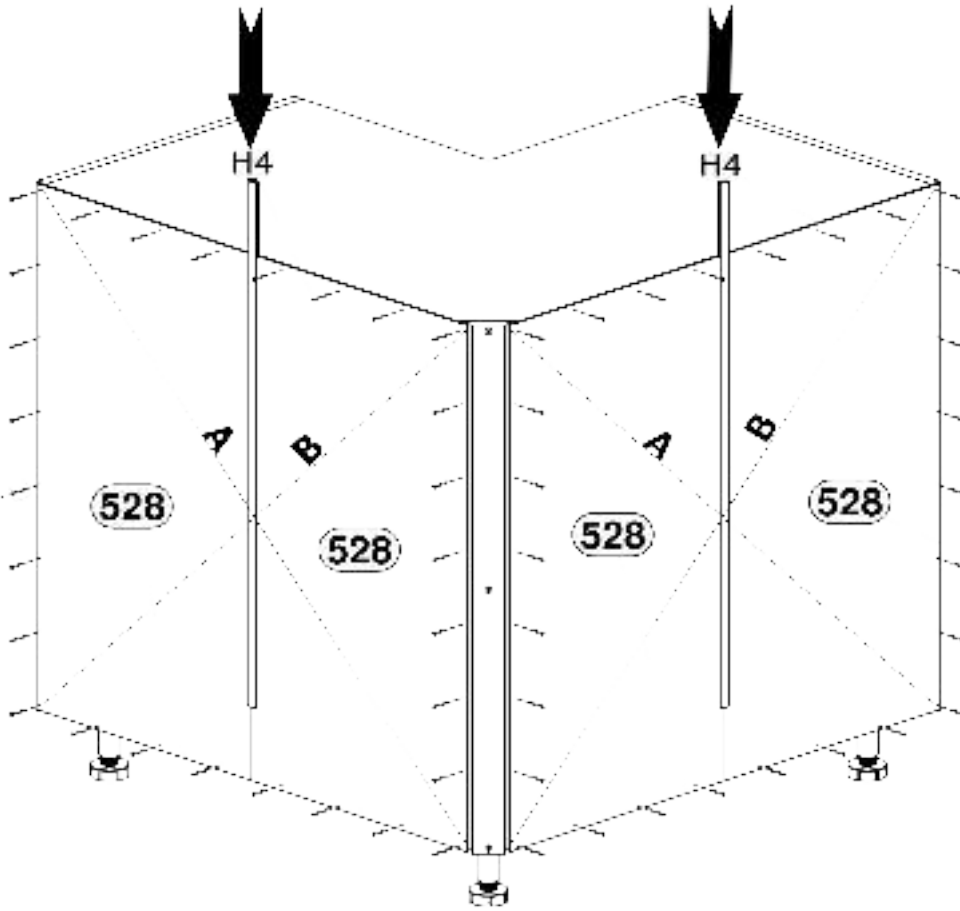
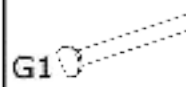
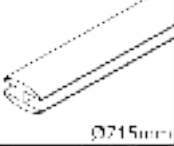


5

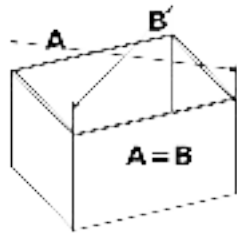
G1 x 56



H4 x 2



$A=B \cong 90^\circ$

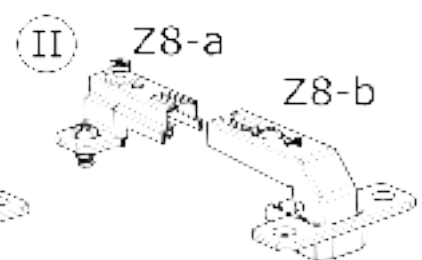
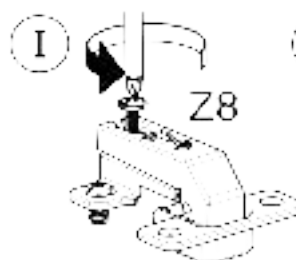
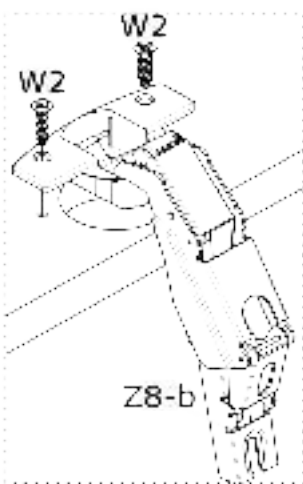
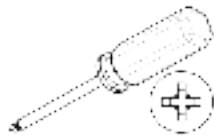
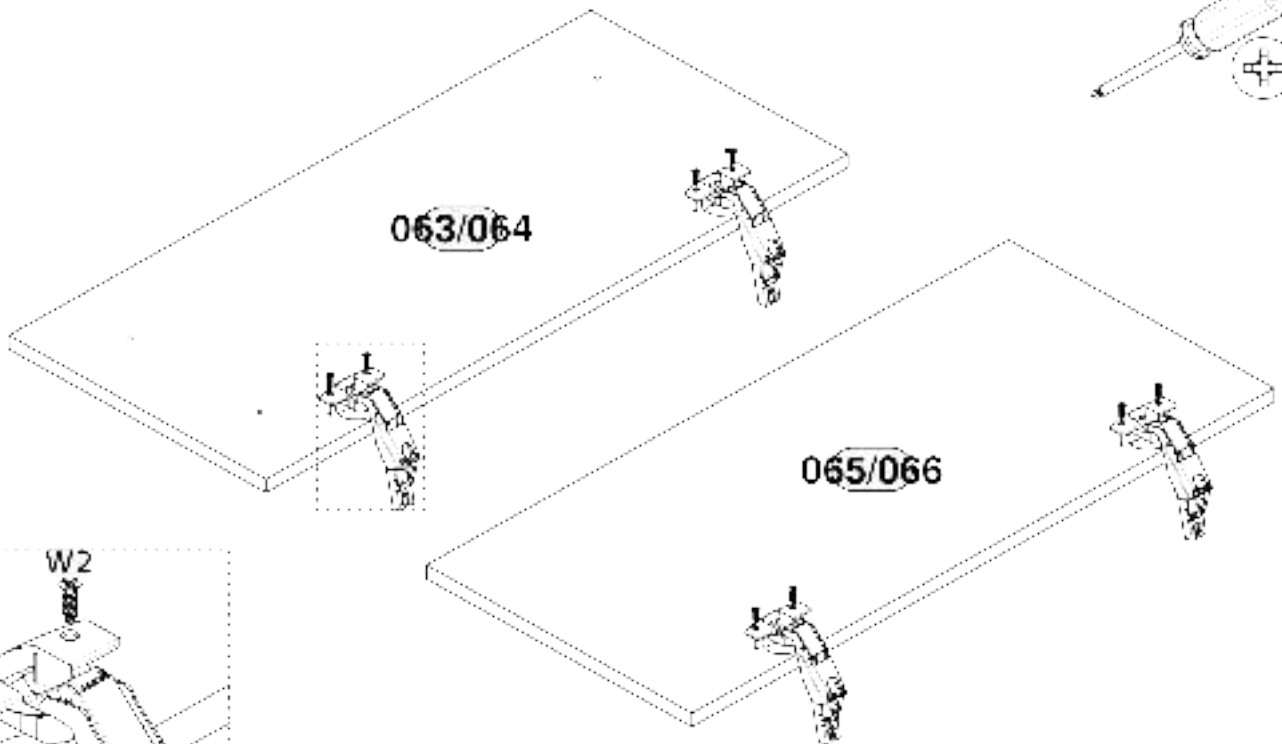


6

W2 x 8

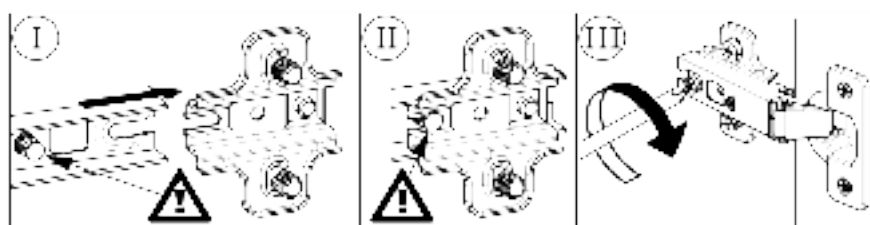
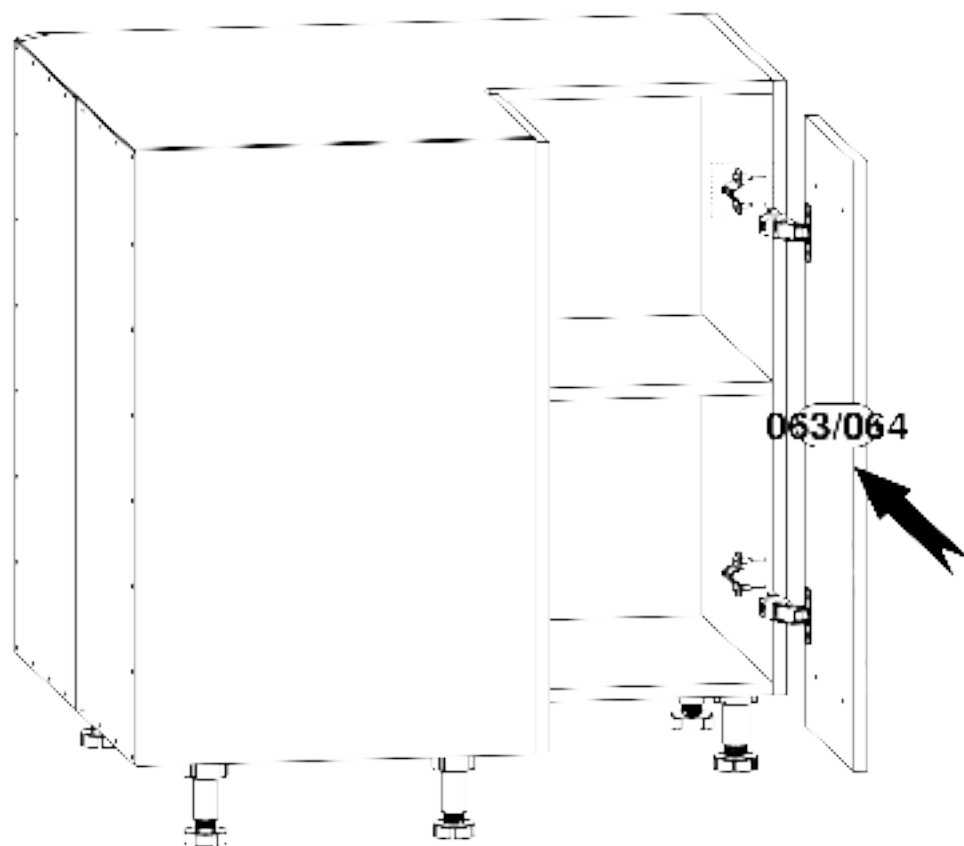
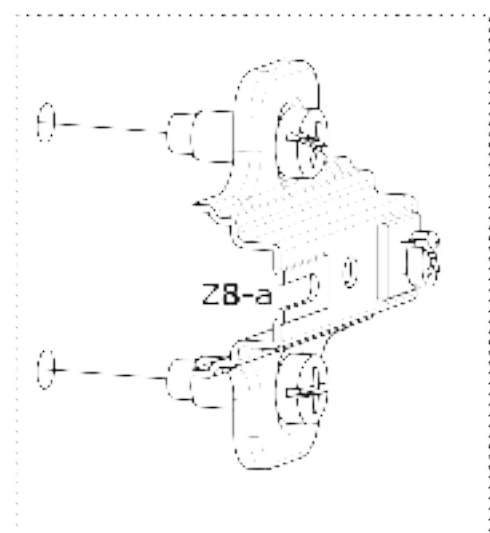
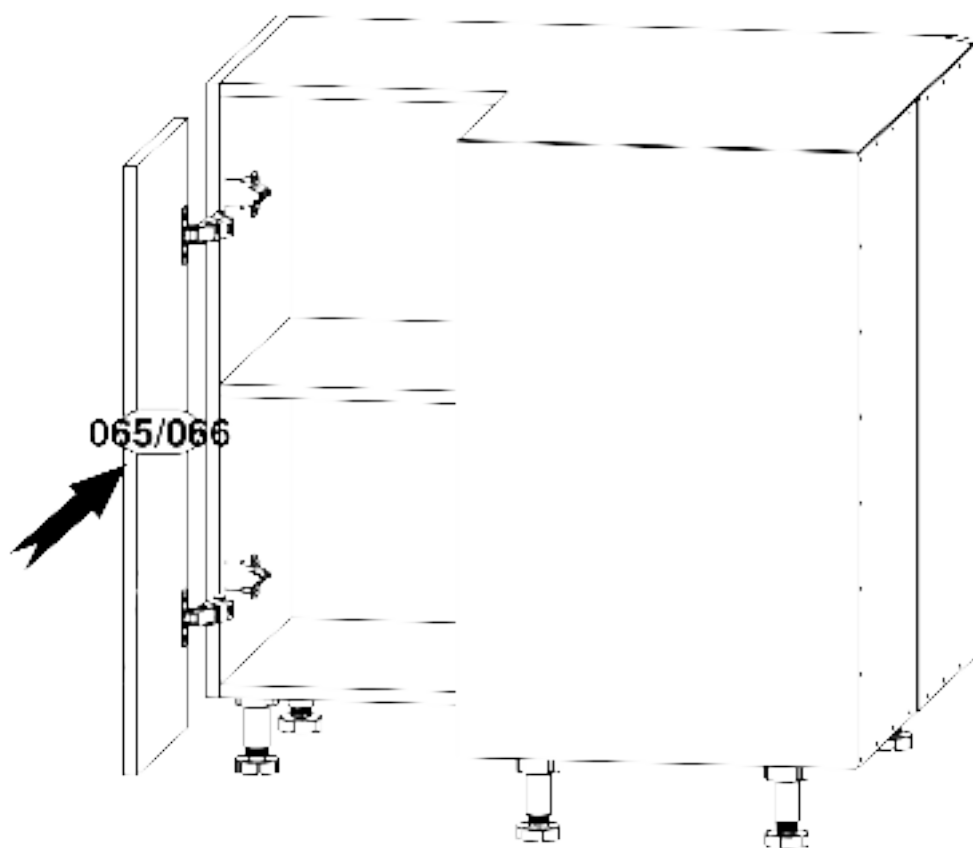
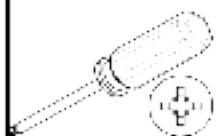


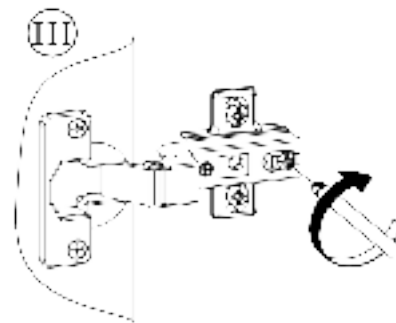
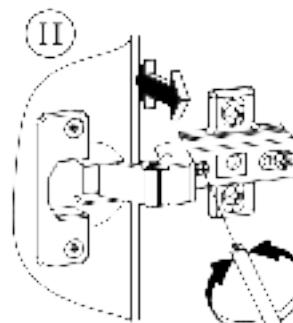
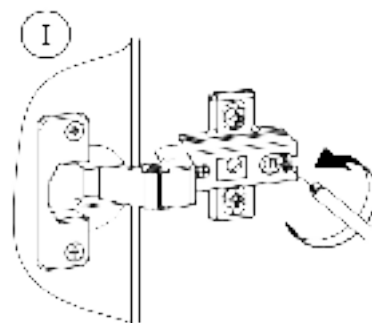
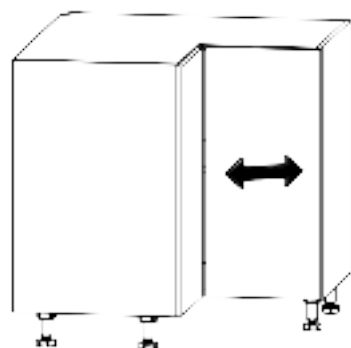
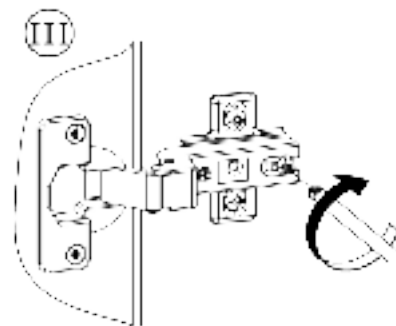
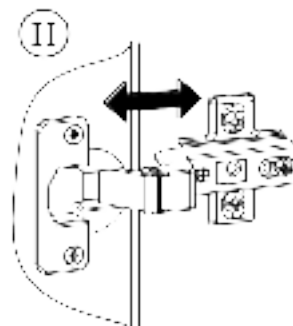
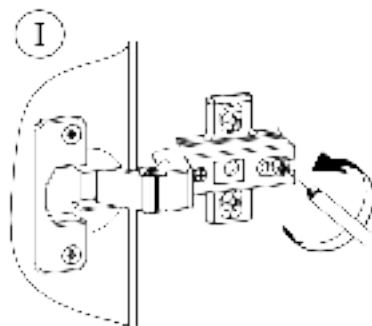
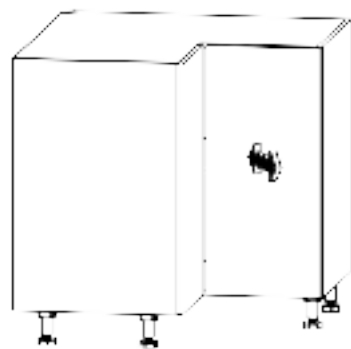
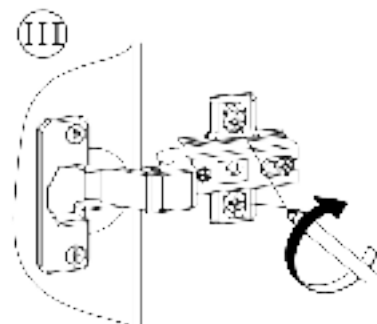
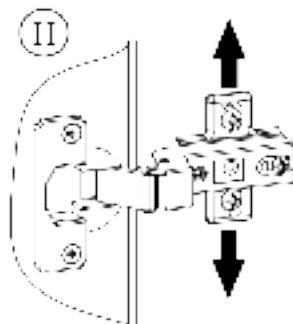
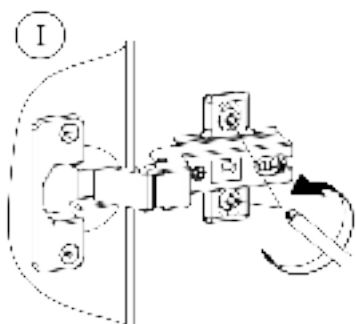
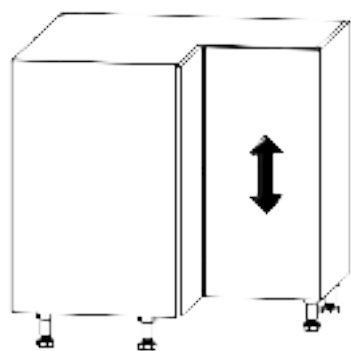
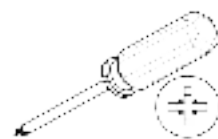
Z8 x 4



7

ZB-a x 4
50x90 H-2



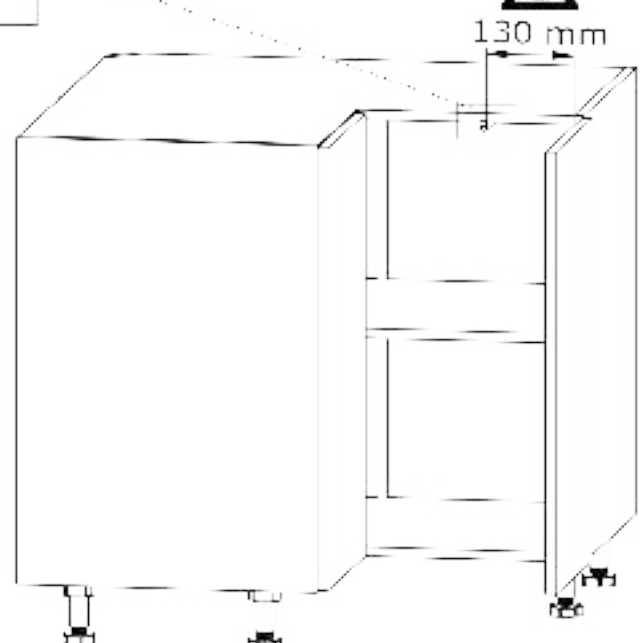
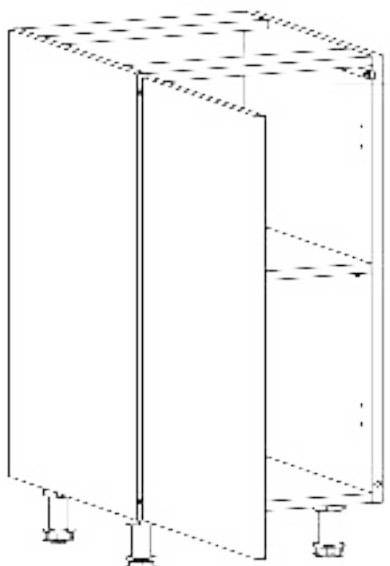
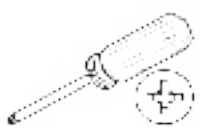
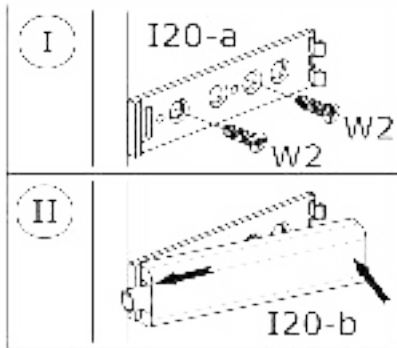
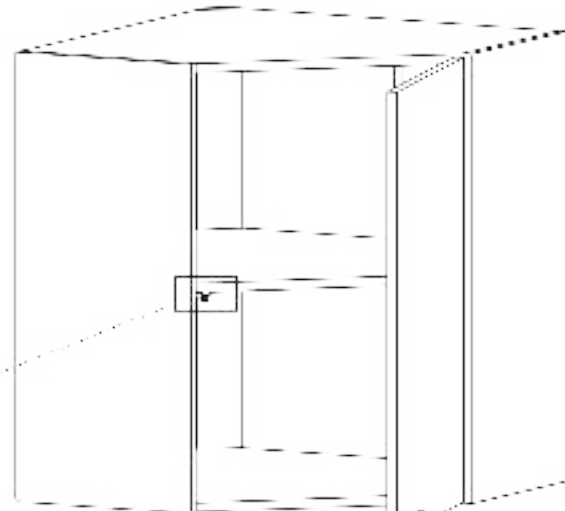
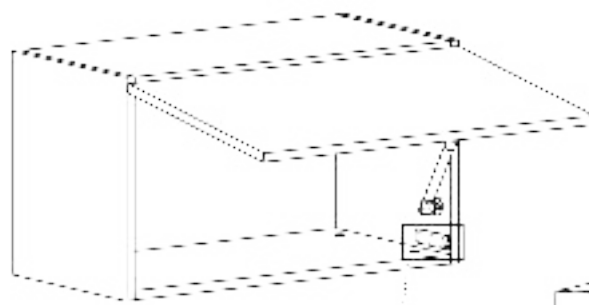
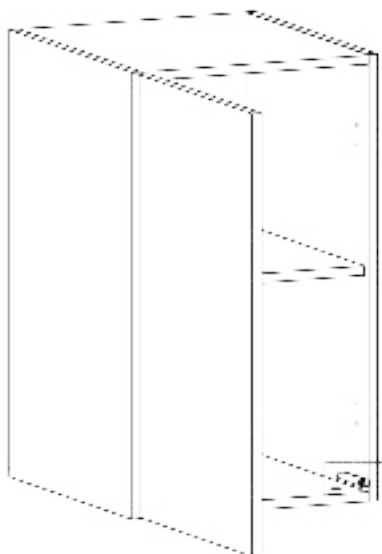
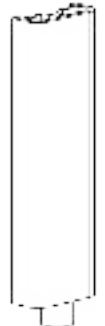
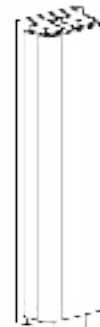
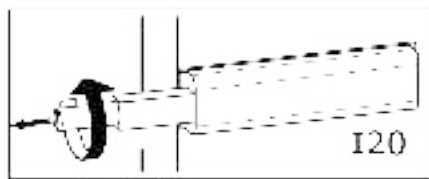
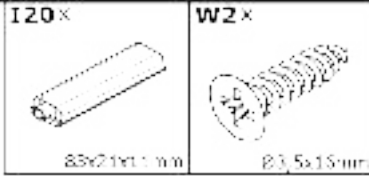


?

A

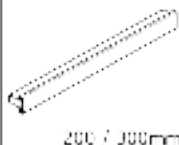
B

A



B

U18 / U19



200 / 100mm

W5

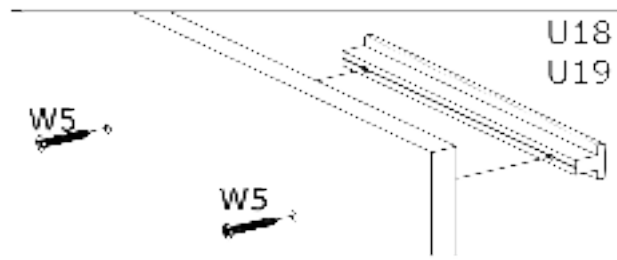


Ø5mm

Y1



26x7.5mm

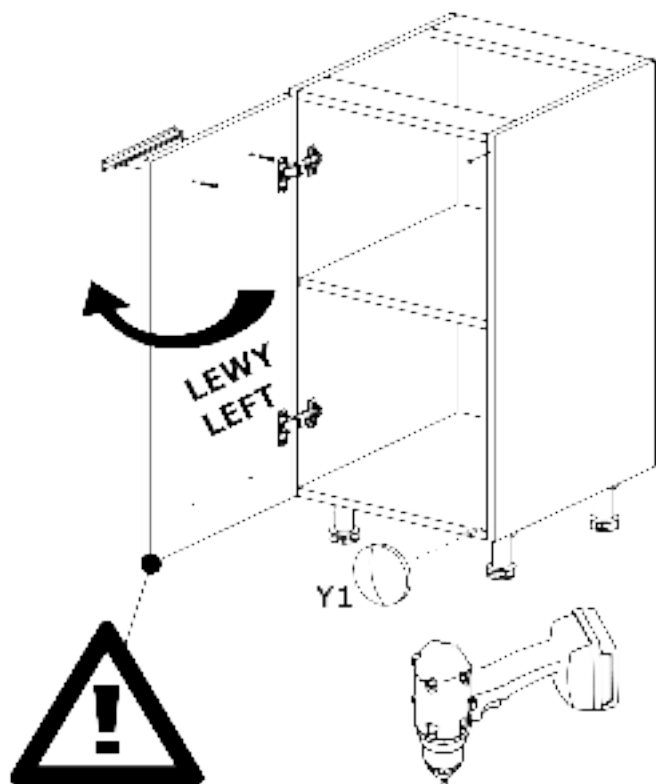


U18

U19

W5

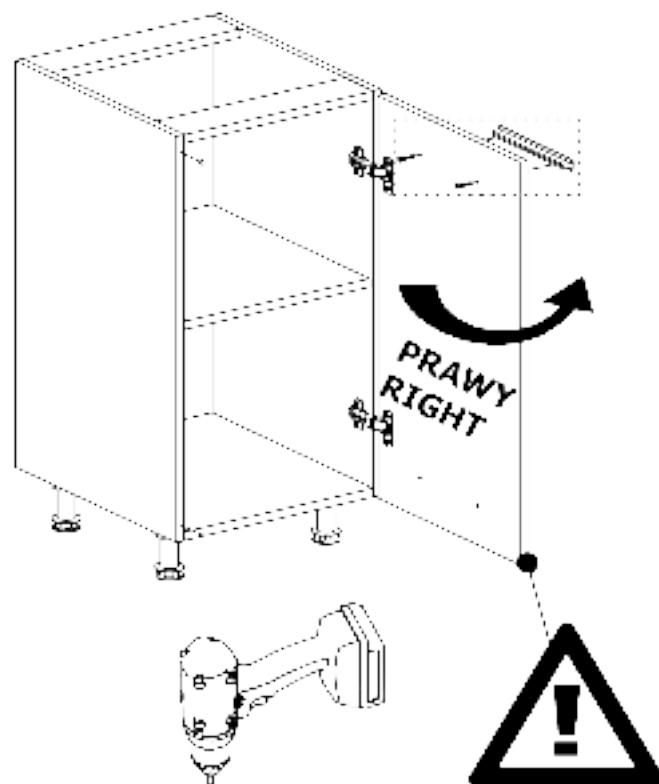
W5



LEWY
LEFT

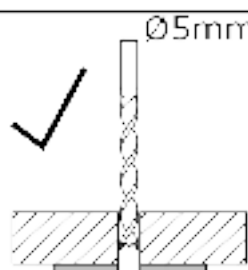
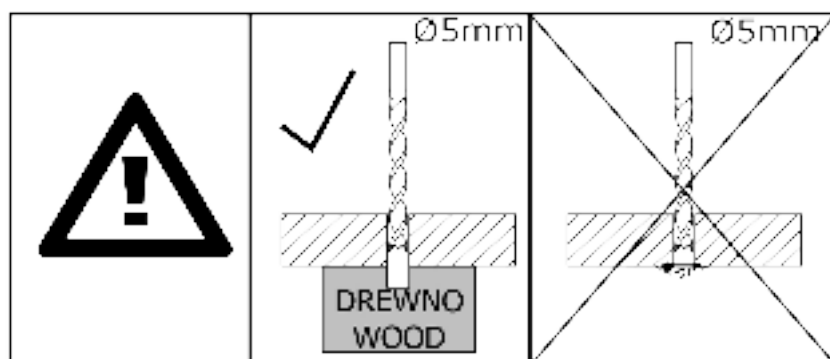
Y1

LEWY
LEFT

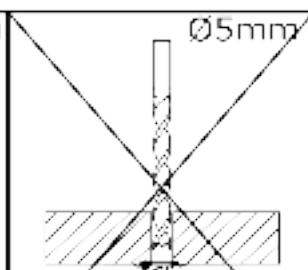


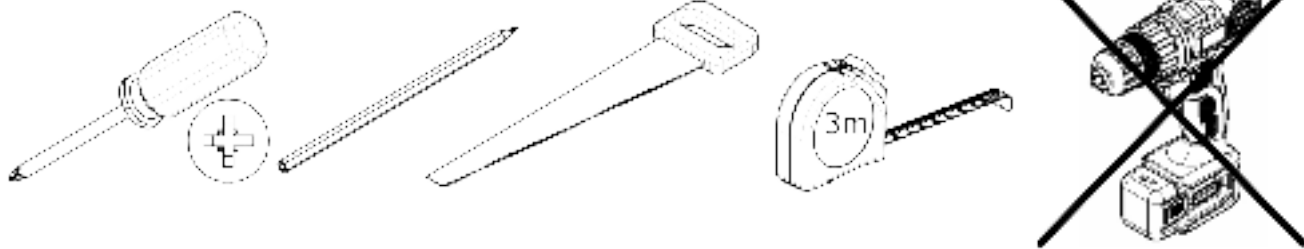
PRAWY
RIGHT

PRAWY
RIGHT

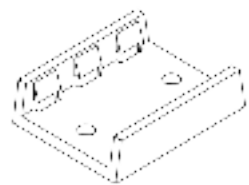


DREWNO
WOOD



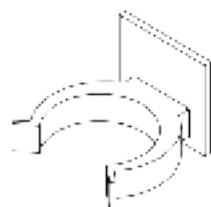


L6-ax8



38x30x10mm

L6-bx8

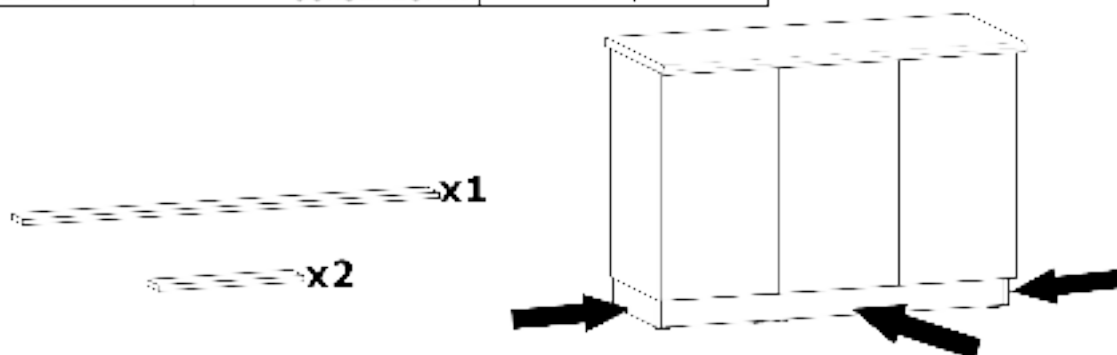


35x32x25mm

W2x16



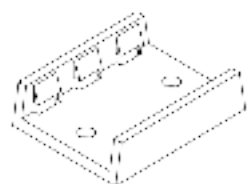
Ø3,5x16mm



C1

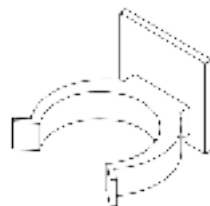


L6-ax4



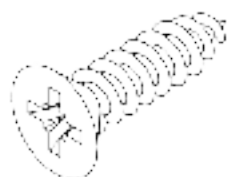
38x30x10mm

L6-bx4

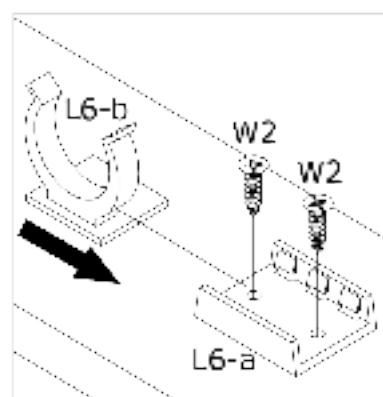
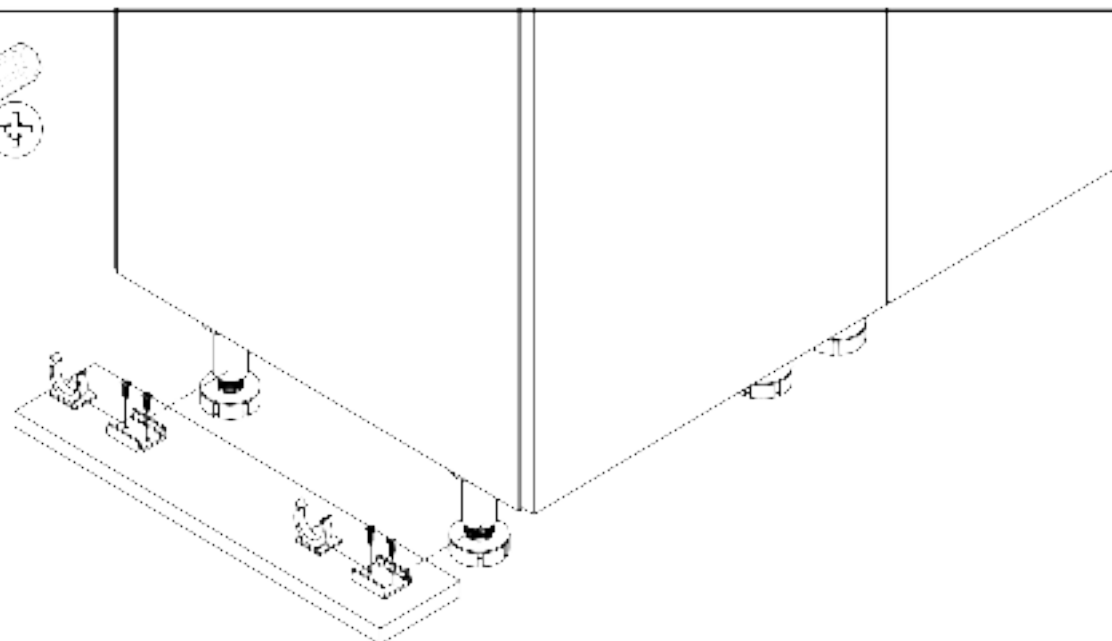


35x32x25mm

W2x8

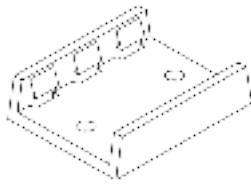


Ø3,5x16mm



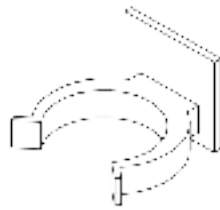
C2

L6-ax4



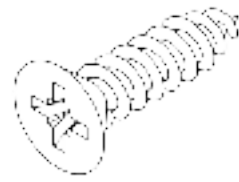
38x30x10mm

L6-bx4



35x32x25mm

W2x8



Ø3,5x16mm

