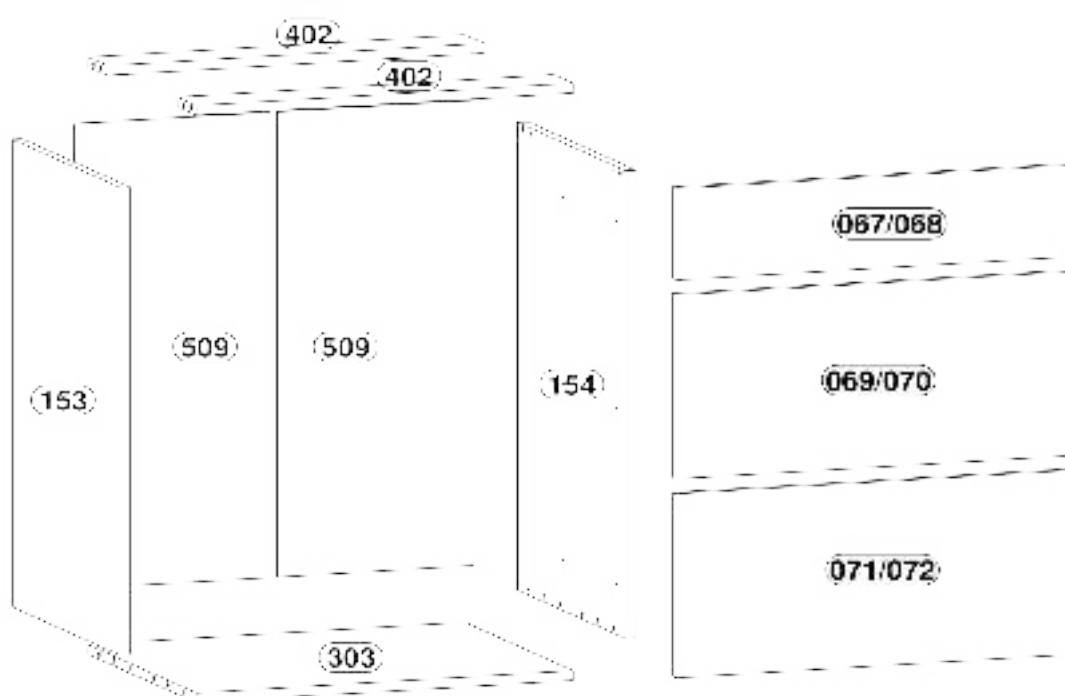
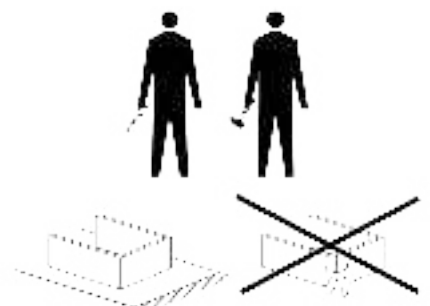
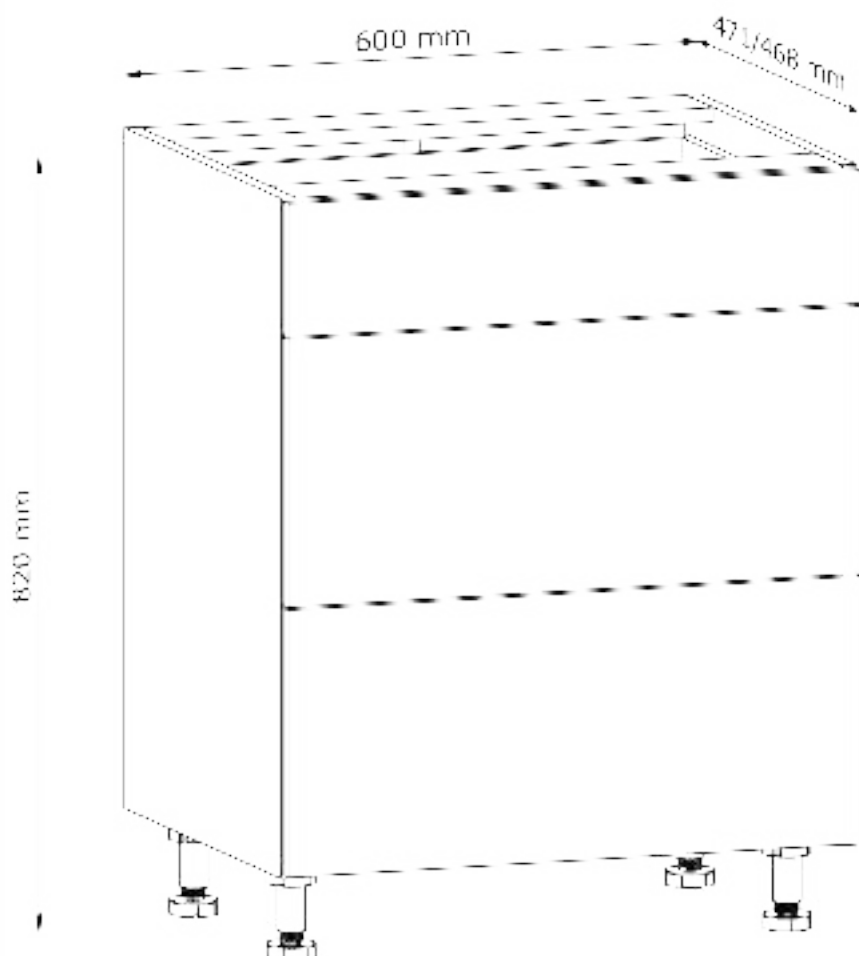
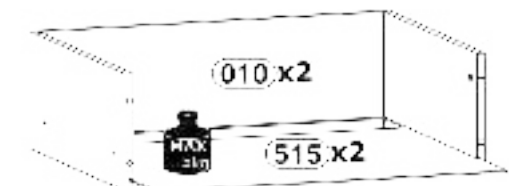
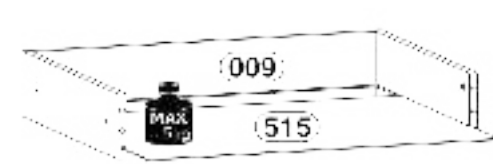


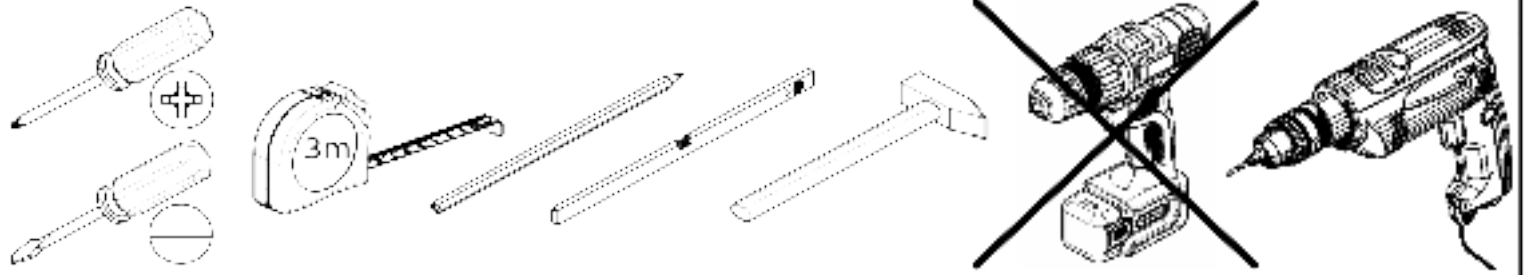
LANGEN

D60S3

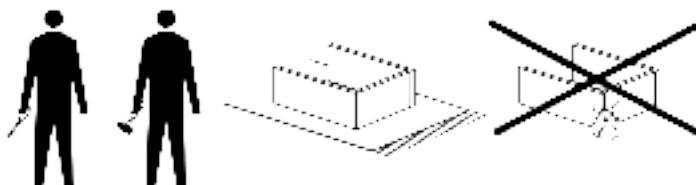


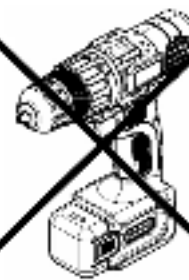
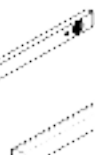
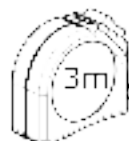
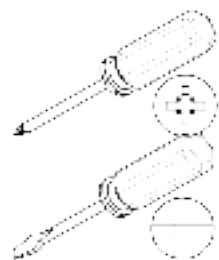
No.	L[mm]	W[mm]	H[mm]	PCS	BOX
009	1344	100	12	1	1/3
010	1344	180	12	2	1/3
067/068	596	141	15/18	1	3/3
069/070	596	283	15/18	1	3/3
071/072	596	283	15/18	1	3/3
153	720	450	15	1	1/3
154	720	450	15	1	1/3
303	570	450	15	1	1/3
402	570	80	15	2	1/3
509	716	207	2,5	2	1/3
515	530	400	2,5	3	1/3





	A1 x18 $\varnothing 8 \times 35 \text{mm}$	B1 x14 $\varnothing 5 \times 38 \text{mm}$	C1 x8 $\varnothing 15 \times 12 \text{mm}$	C2 x6 $\varnothing 12 \times 10 \text{mm}$
G1 x28 26mm	H4 x1 715mm	J1 x6 $\varnothing 21 \text{mm}$	L1 x4 $\varnothing 50 \times 95 \text{mm}$	P18 x6 PUSH OPEN 400x45x13mm
S3 x3 400mm	W1 x24 $\varnothing 3,5 \times 13 \text{mm}$	W2 x16 $\varnothing 3,5 \times 16 \text{mm}$	W16 x18 $\varnothing 3,5 \times 13 \text{mm}$	





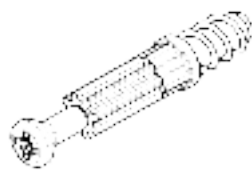
B

A1 x 18



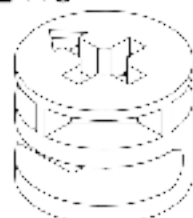
Ø8x35mm

B1 x 14



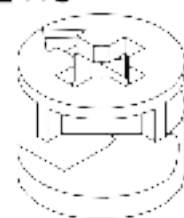
Ø5x38mm

C1 x 8



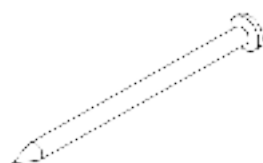
Ø15x12mm

C2 x 6



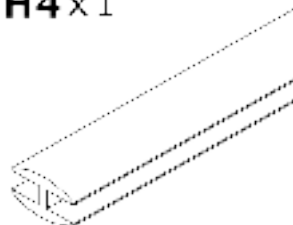
Ø12x10mm

G1 x 28



26mm

H4 x 1



715mm

J1 x 6



Ø21mm

L1 x 4



Ø50x95mm

P17 x 6



400x45x13mm

S3 x 3



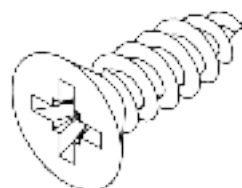
400mm

U19 x 3



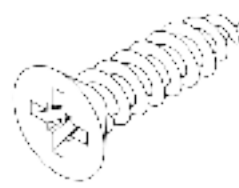
300mm

W1 x 24



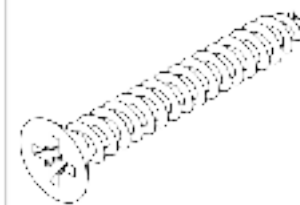
Ø3,5x13mm

W2 x 16



Ø3,5x16mm

W5 x 6



Ø4x30mm

W16 x 18



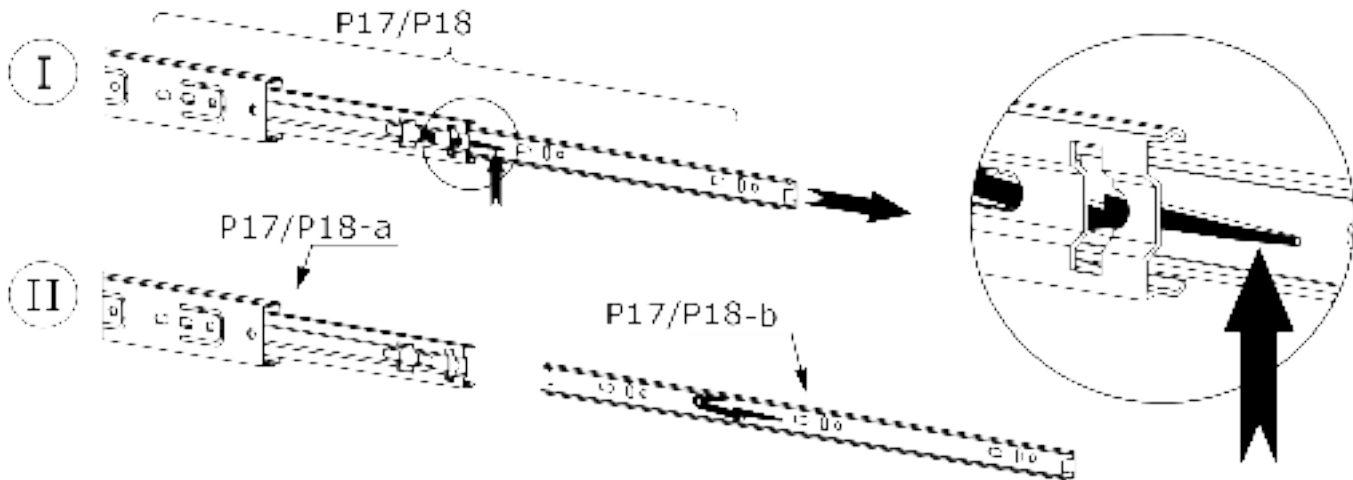
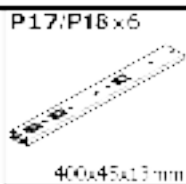
Ø3,5x13mm

Y1 x 6

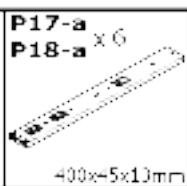
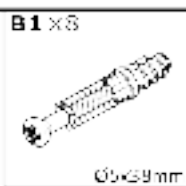


Ø8x1,5mm

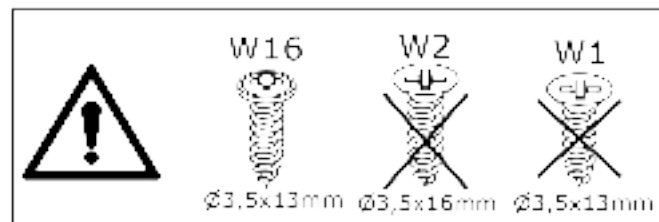
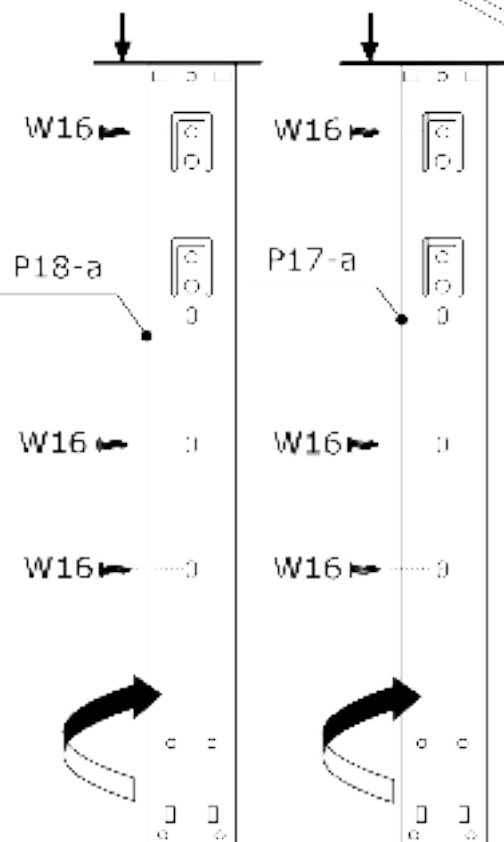
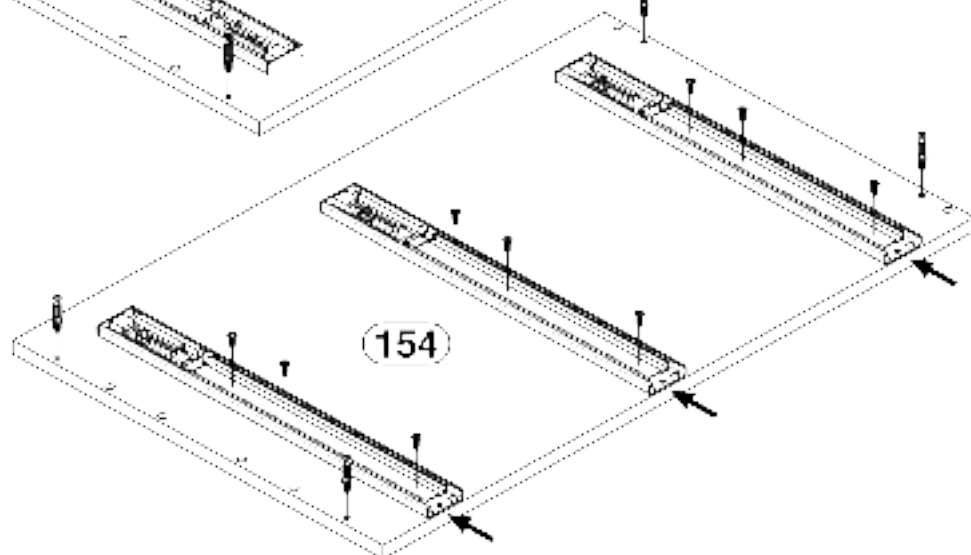
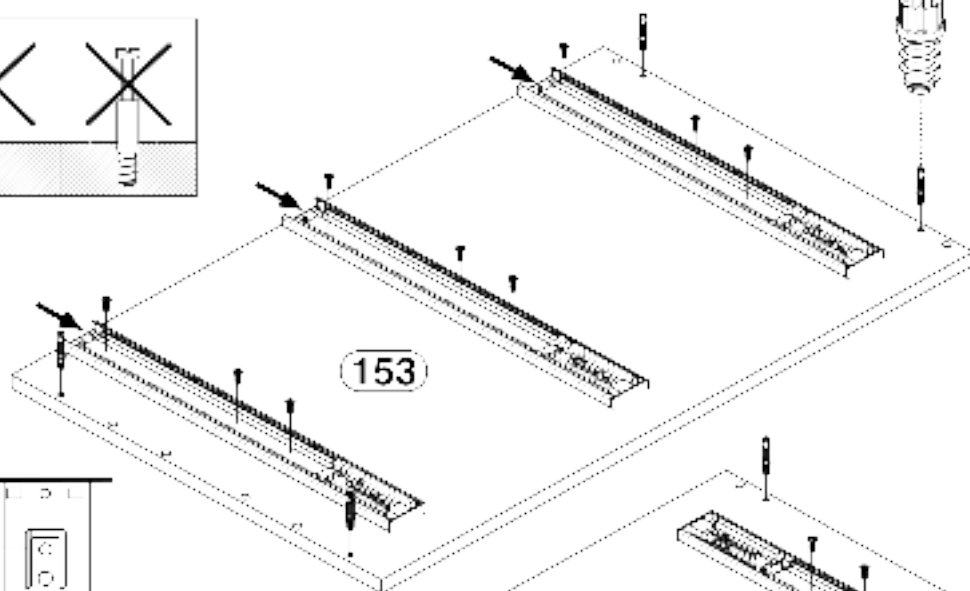
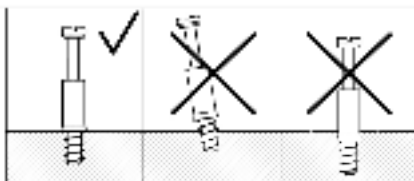
1



2

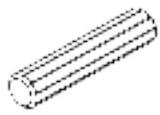


B1



3

A1 x 8



Ø9x55 mm

C1 x 4



Ø15x12 mm

L1 x 4

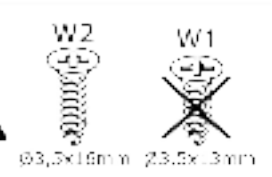
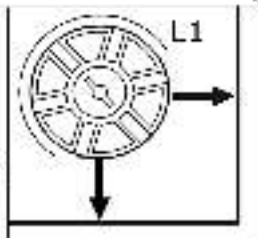
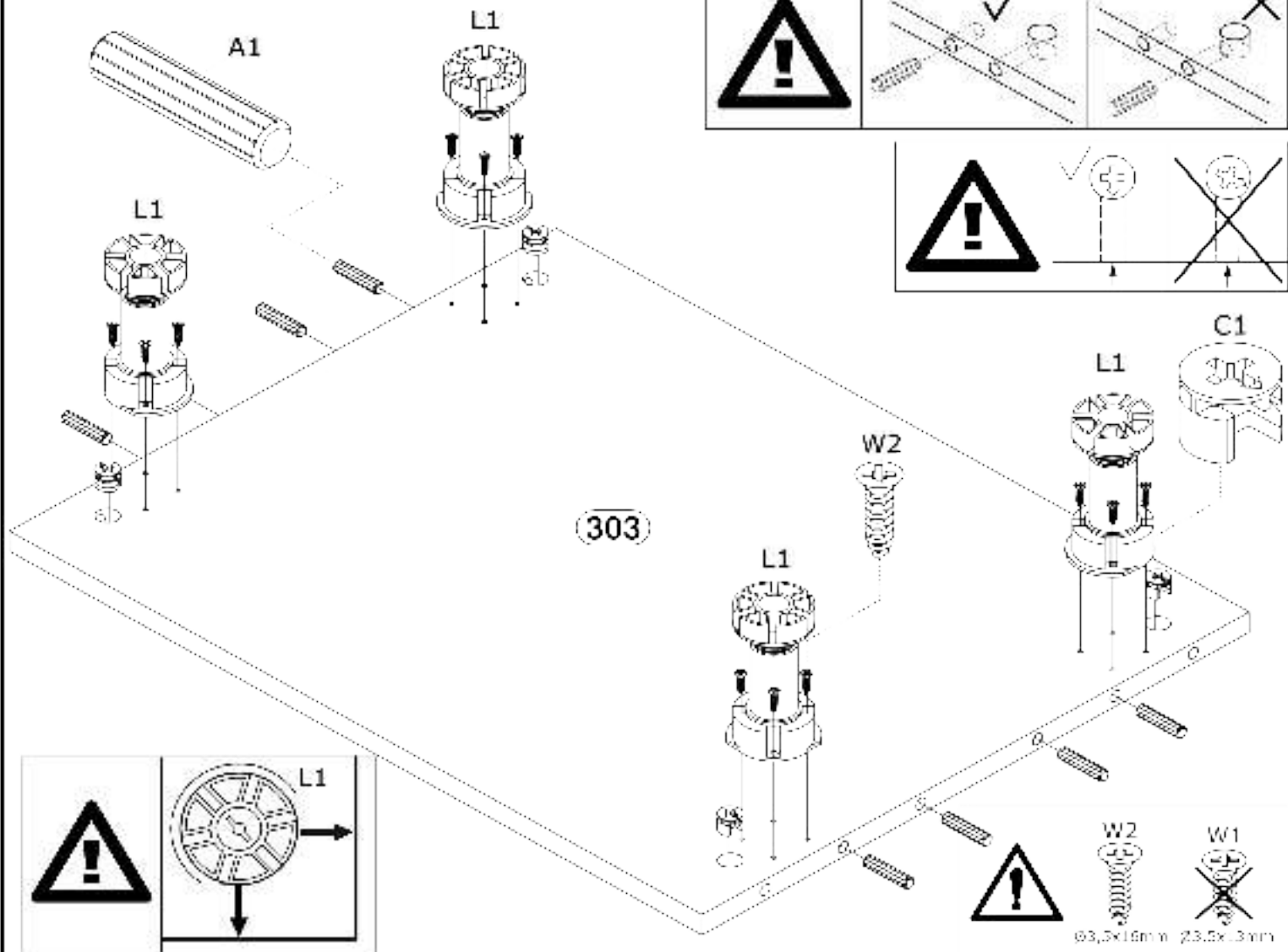
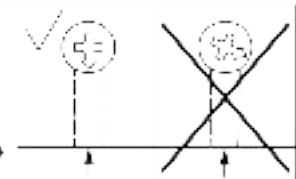
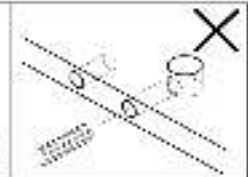
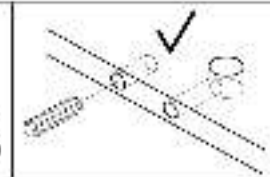
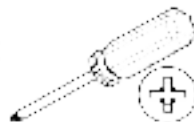


Ø60x55 mm

W2 x 16

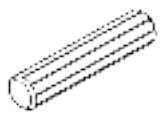


Ø3,5x16 mm



4

A1 x 4

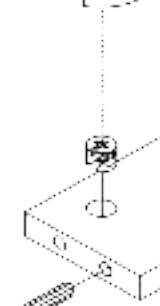
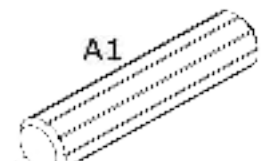
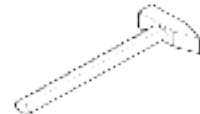


Ø8x53 mm

C1 x 4

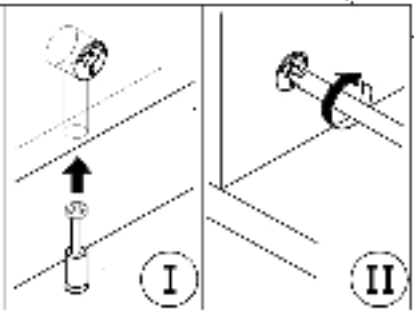
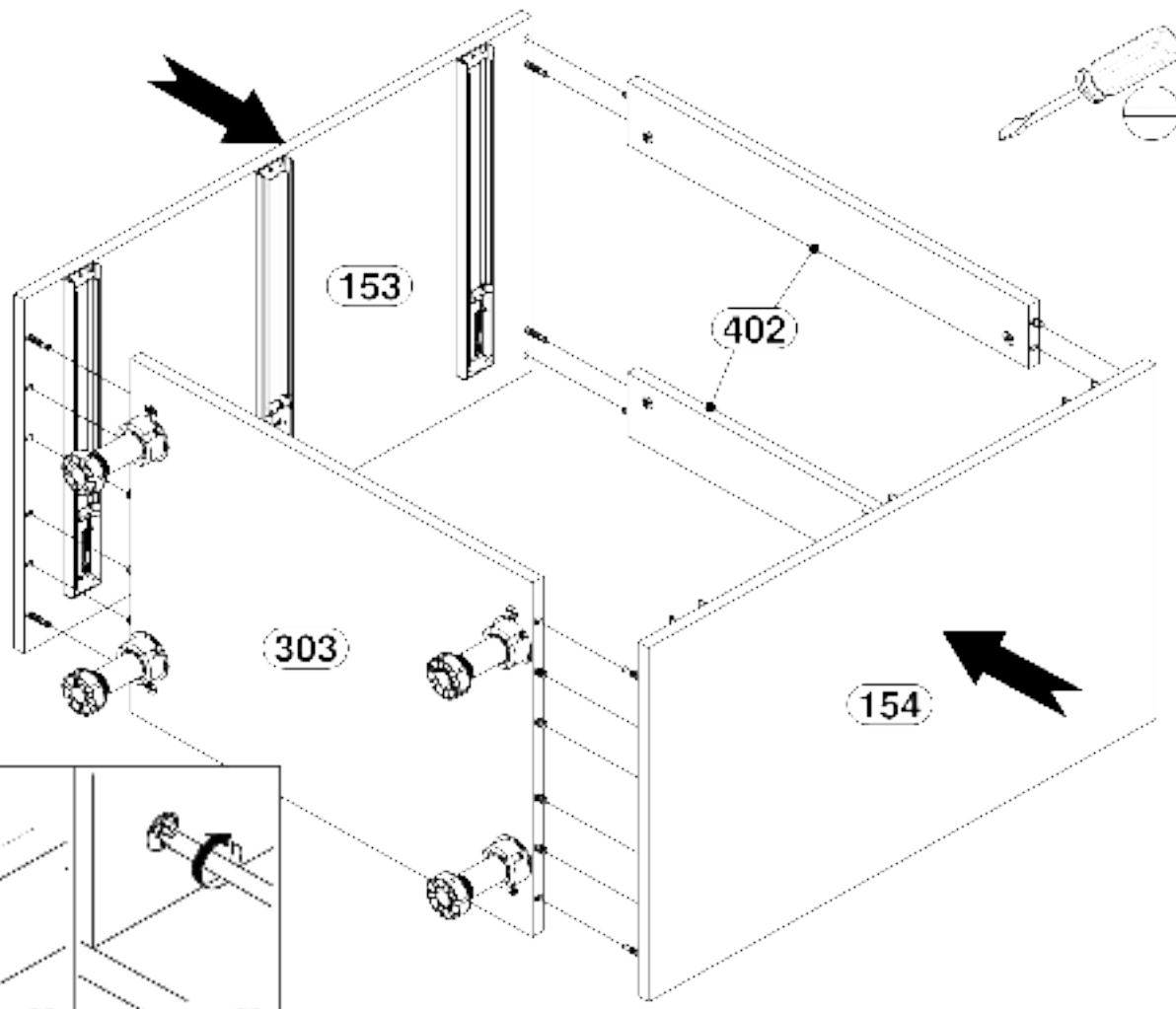


Ø15x12 mm

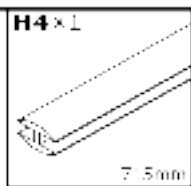


402 x 2

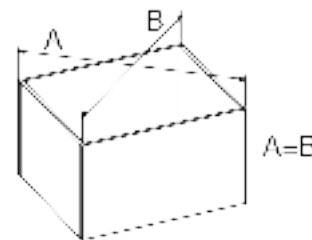
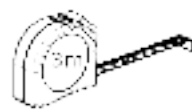
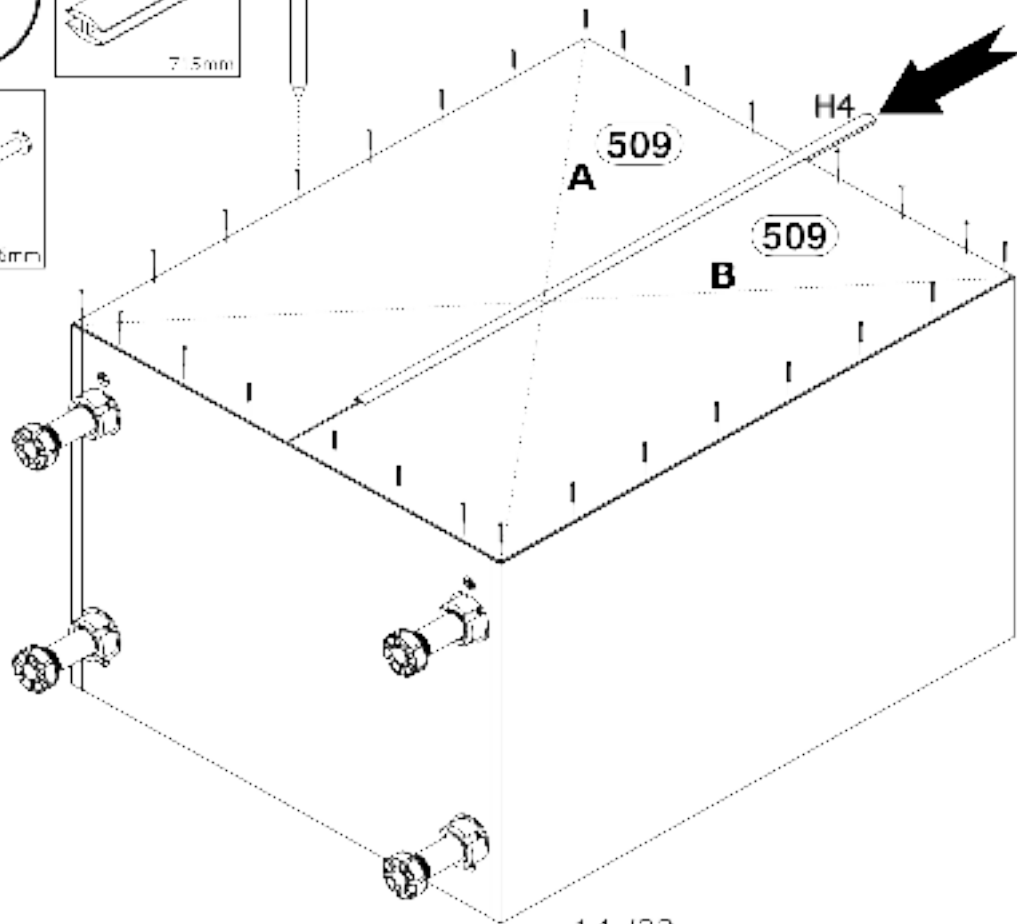
5



6



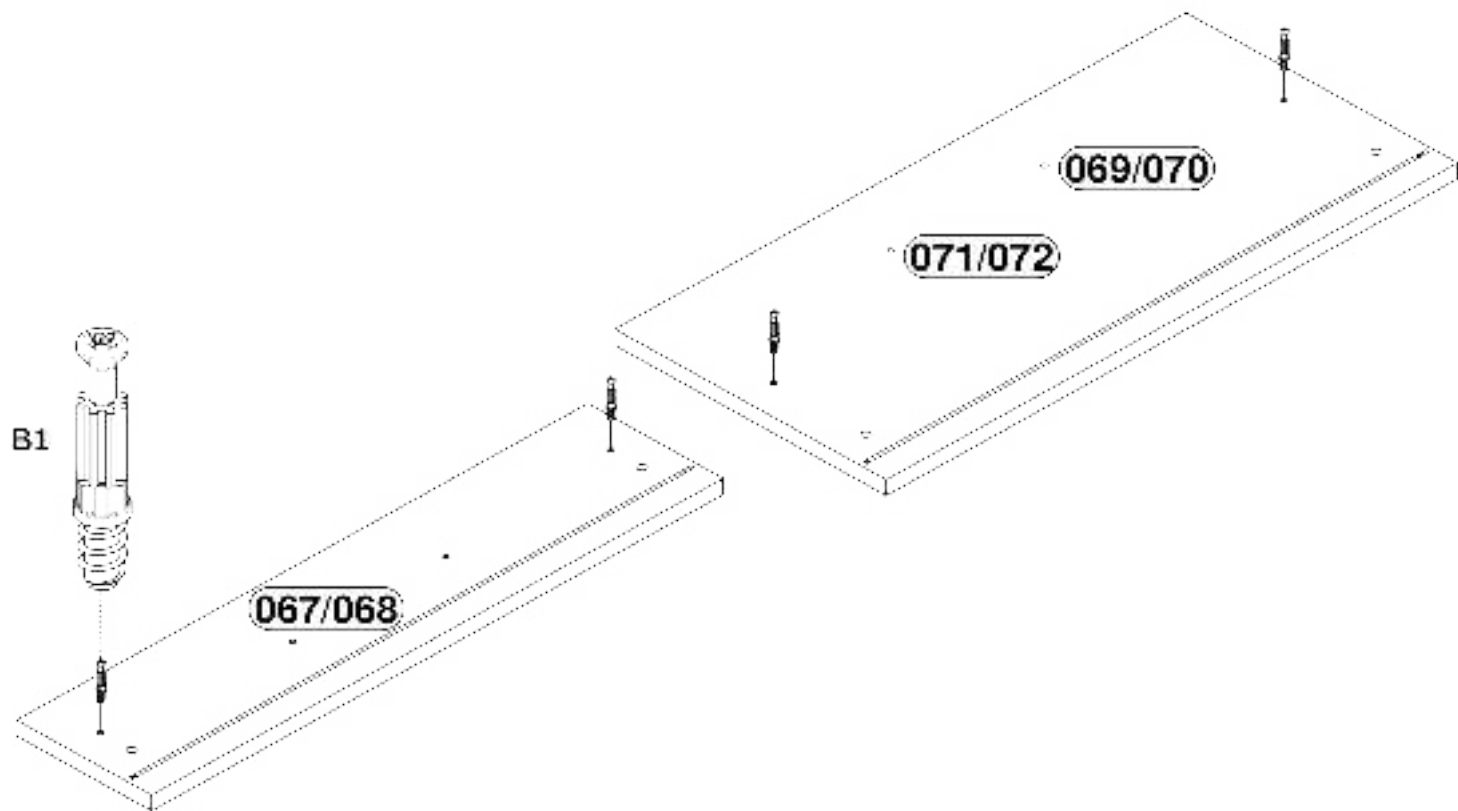
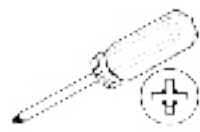
G1



A=B ≙ 90°

7

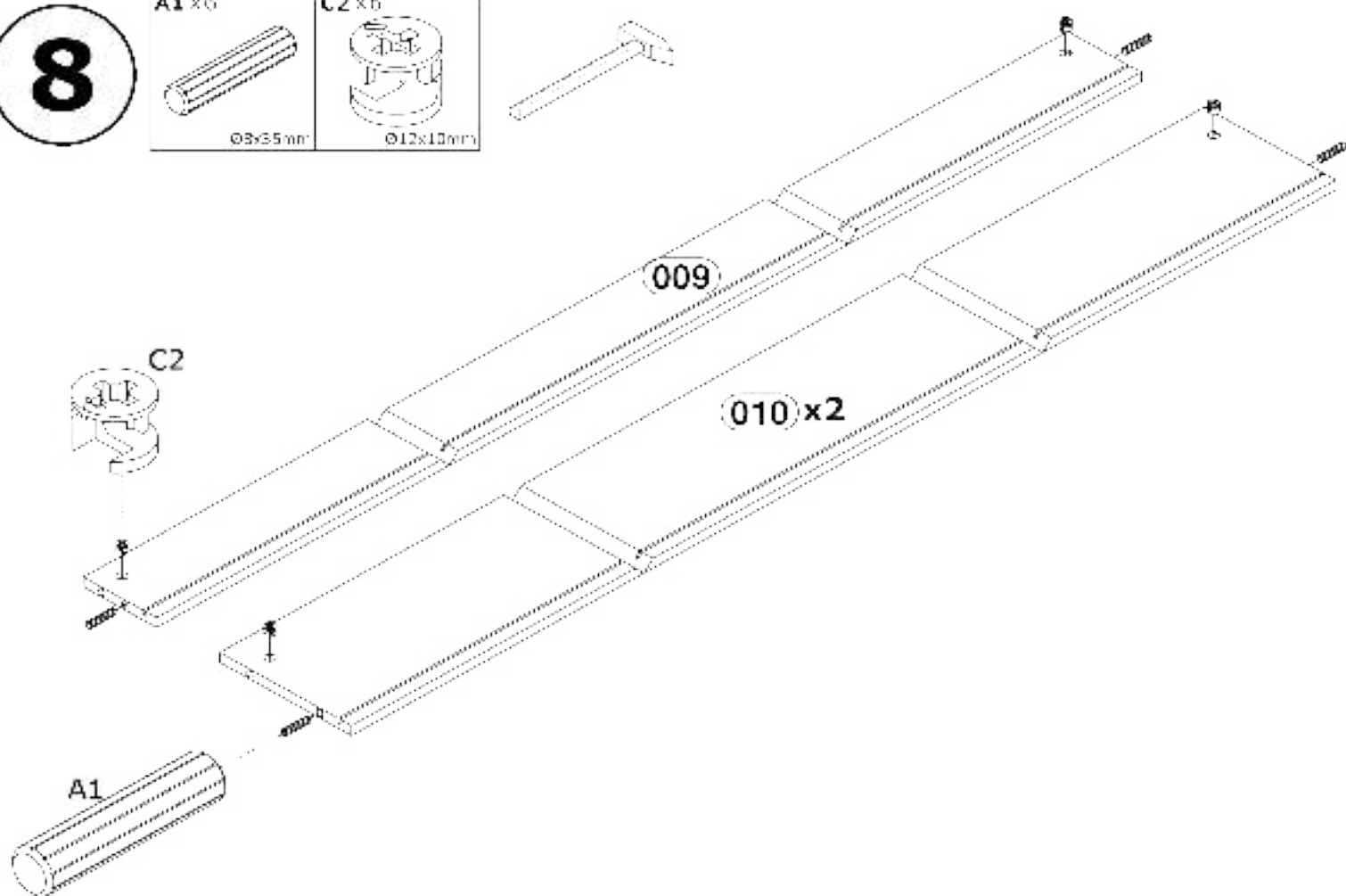
B1 x 6
Ø5x33mm



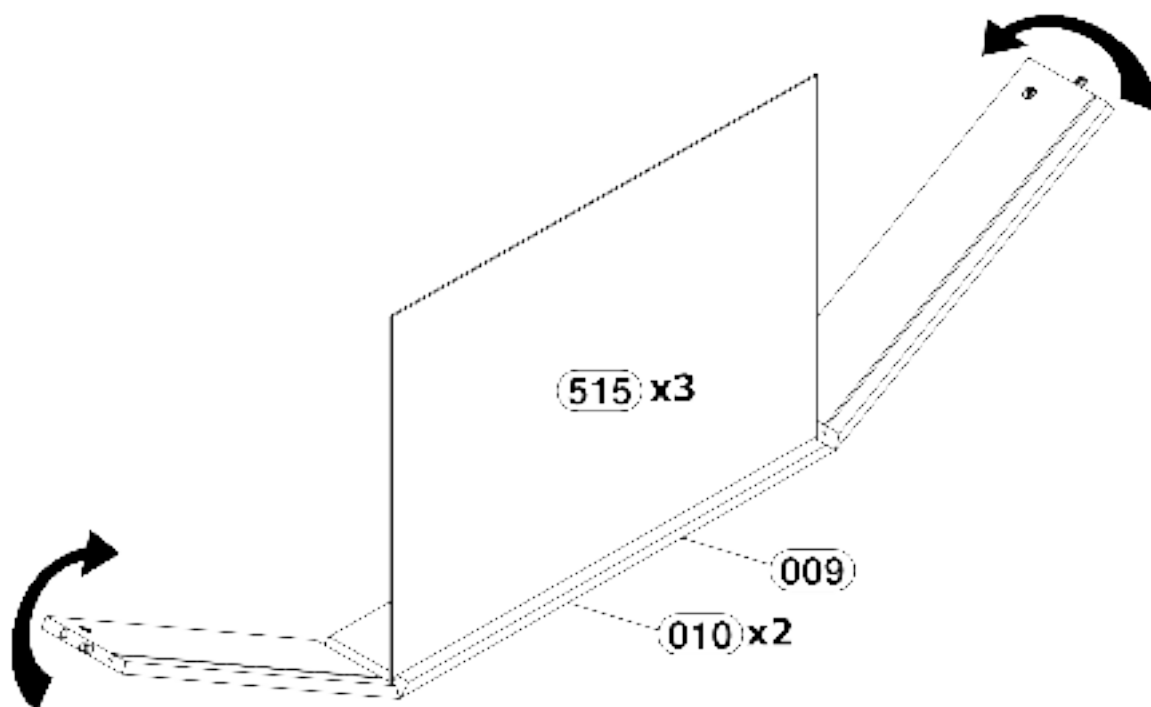
8

A1 x 6
Ø3x35mm

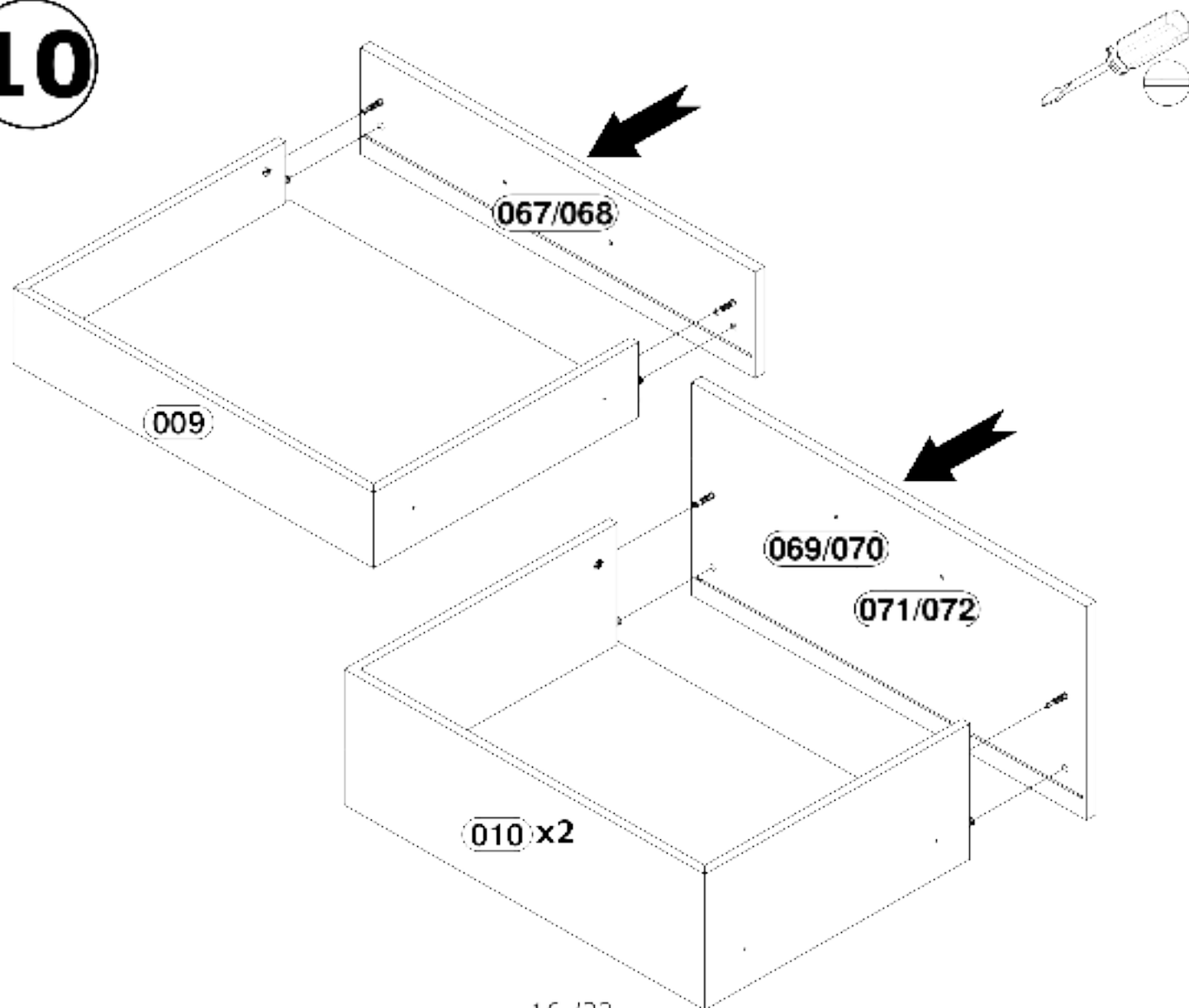
C2 x 6
Ø12x10mm



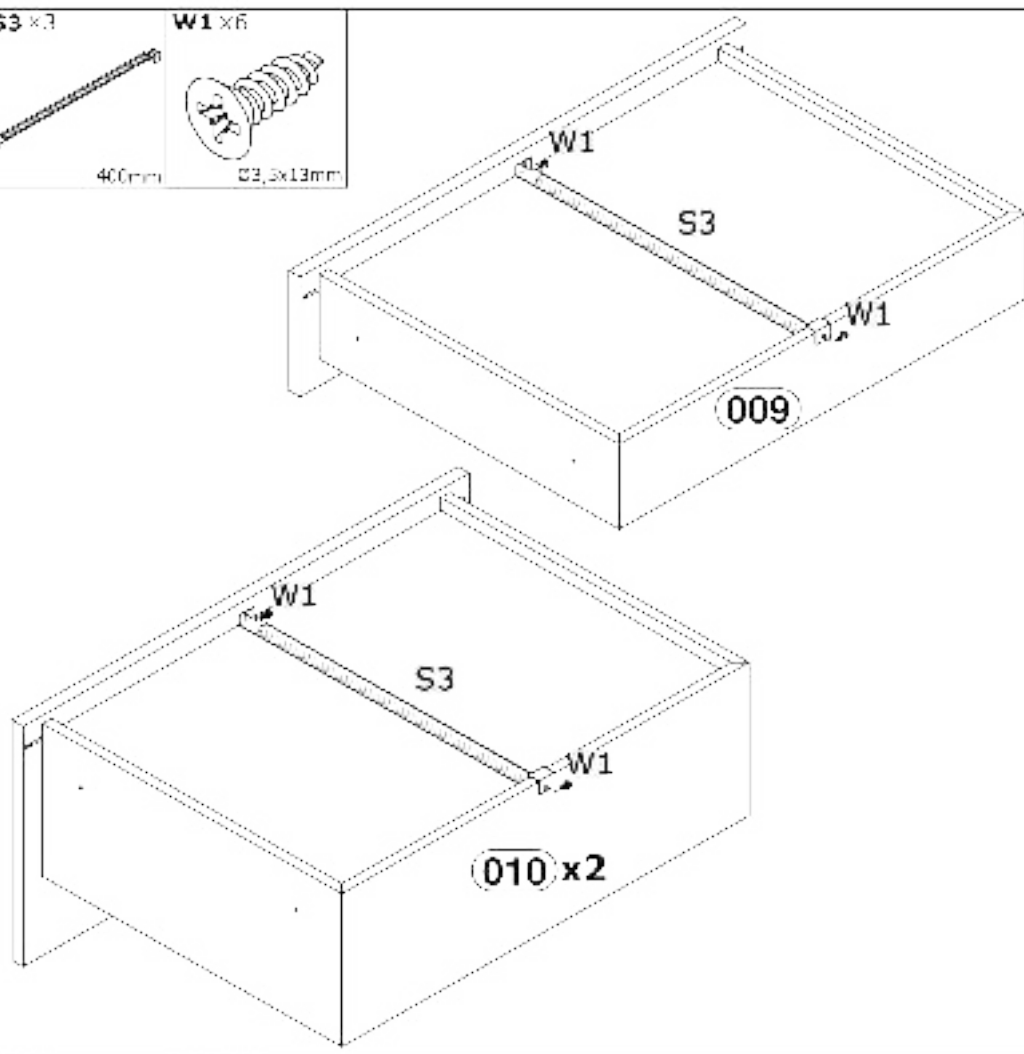
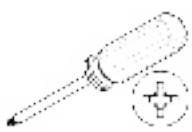
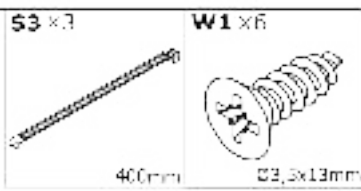
9



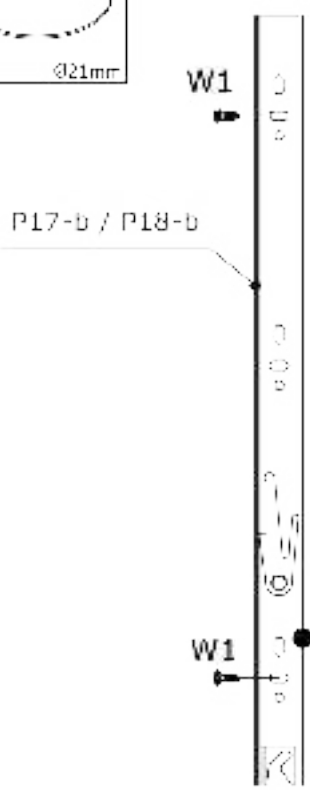
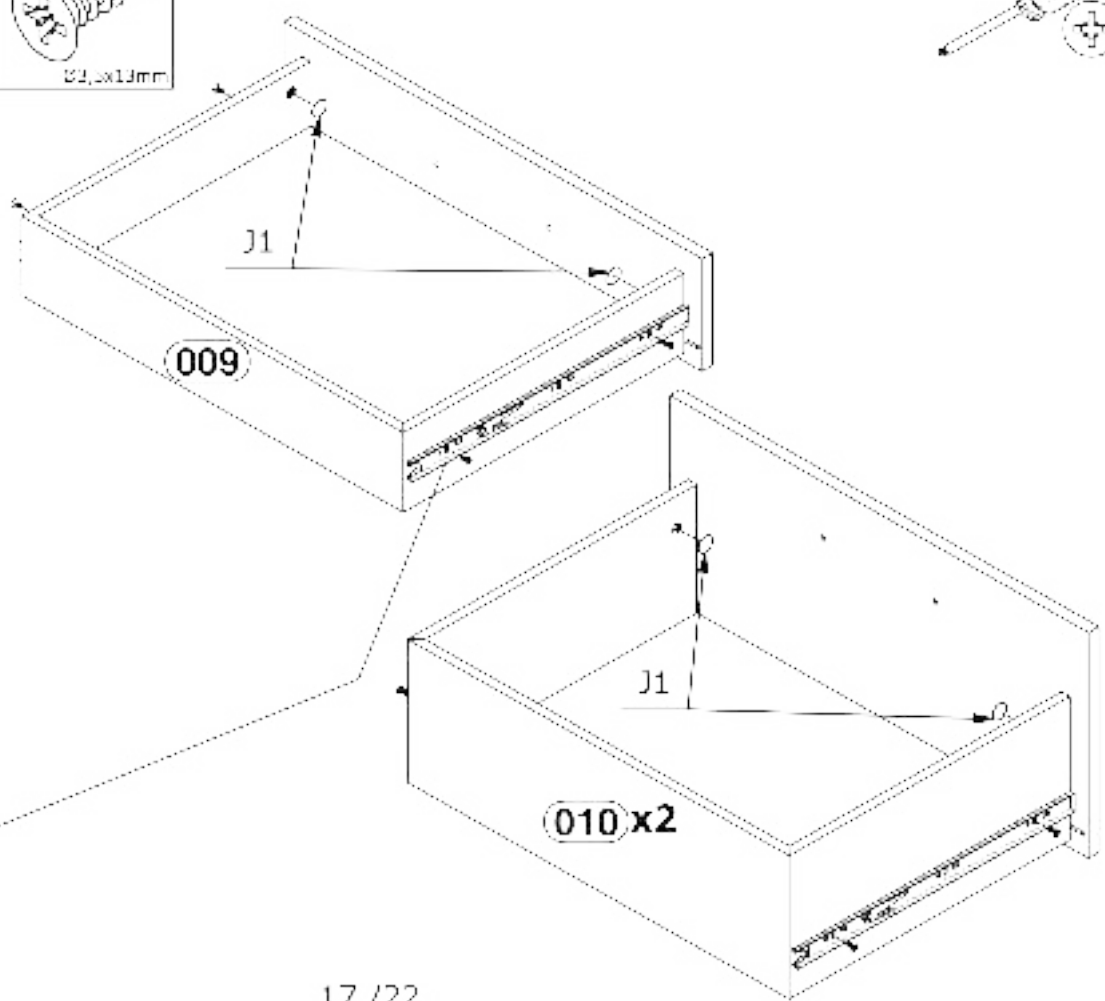
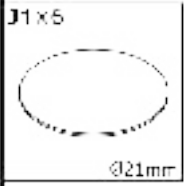
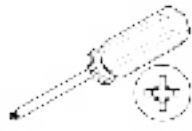
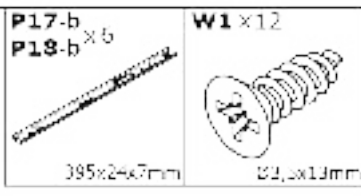
10



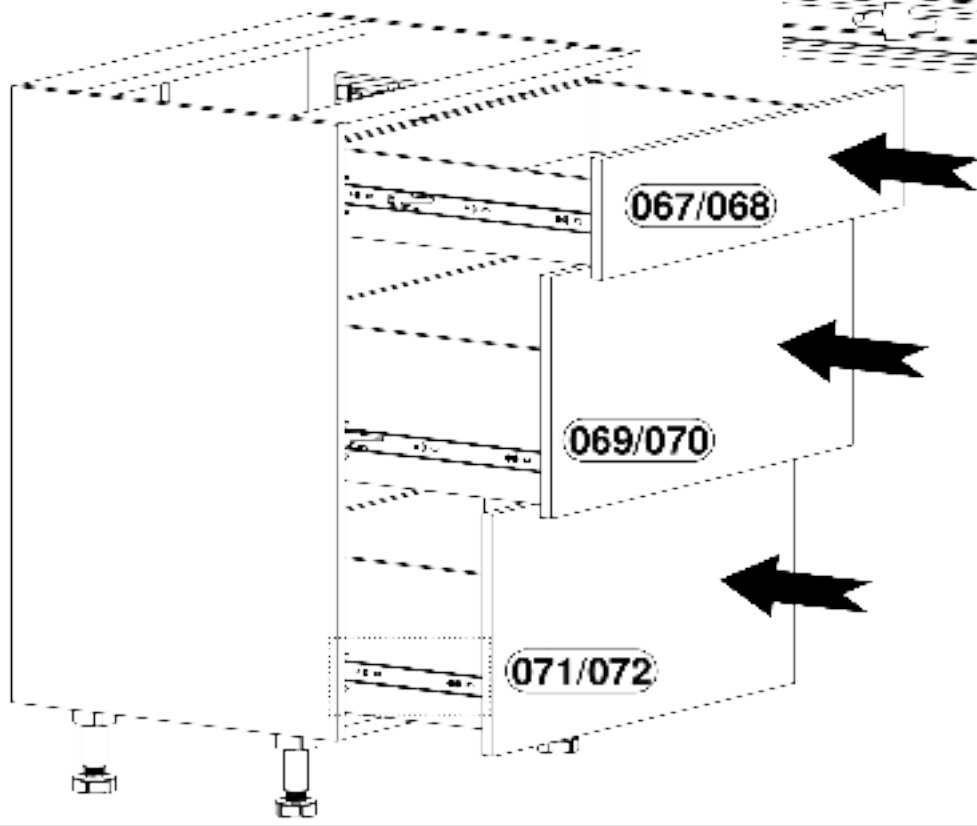
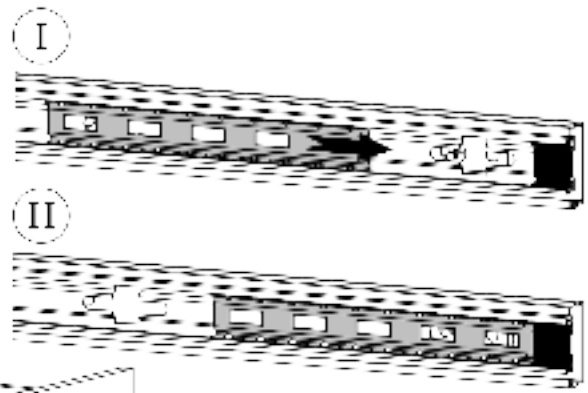
11



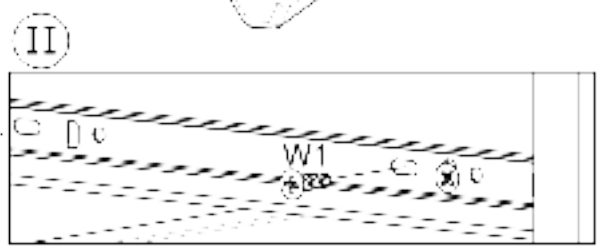
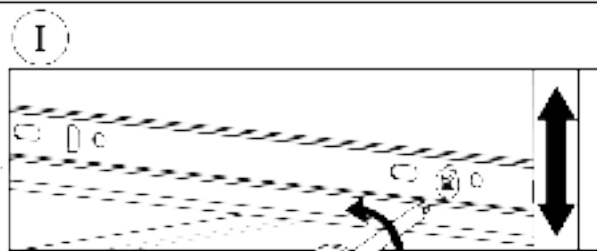
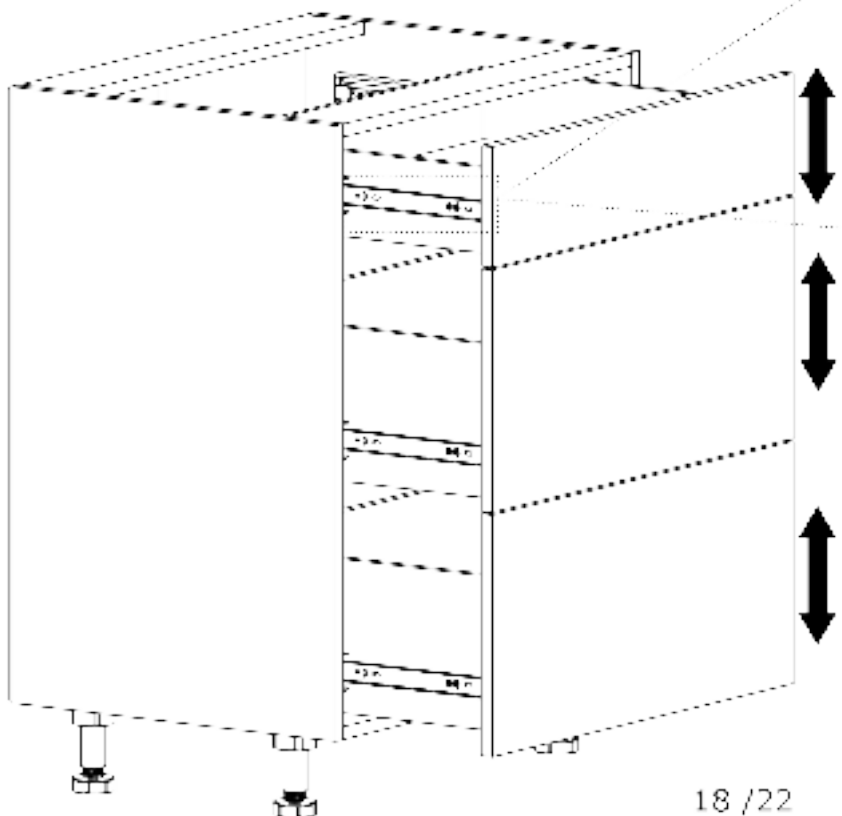
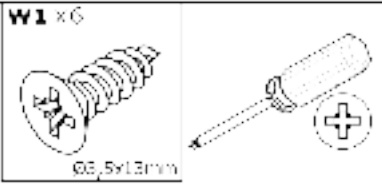
12



13

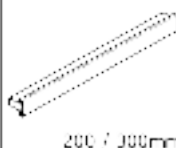


14



B

U18 / U19



200 / 100mm

W5

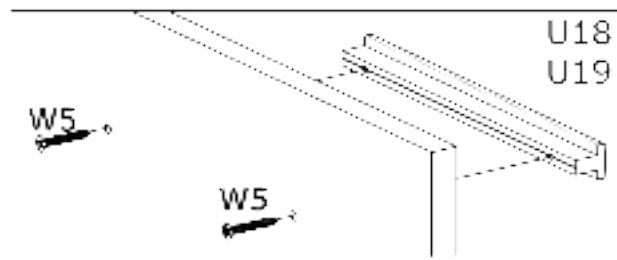


Ø5mm

Y1



26x7.5mm

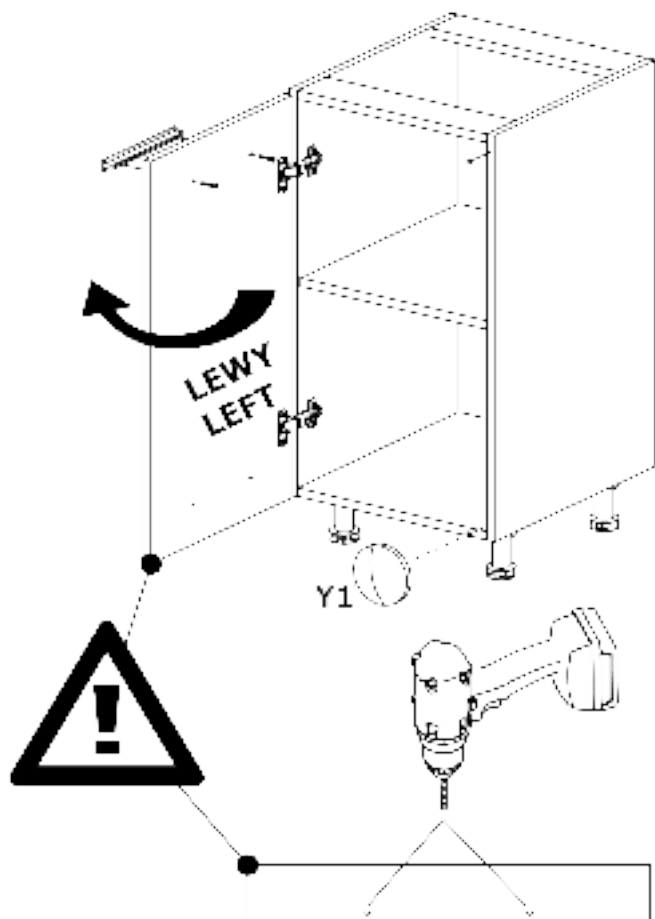


U18

U19

W5

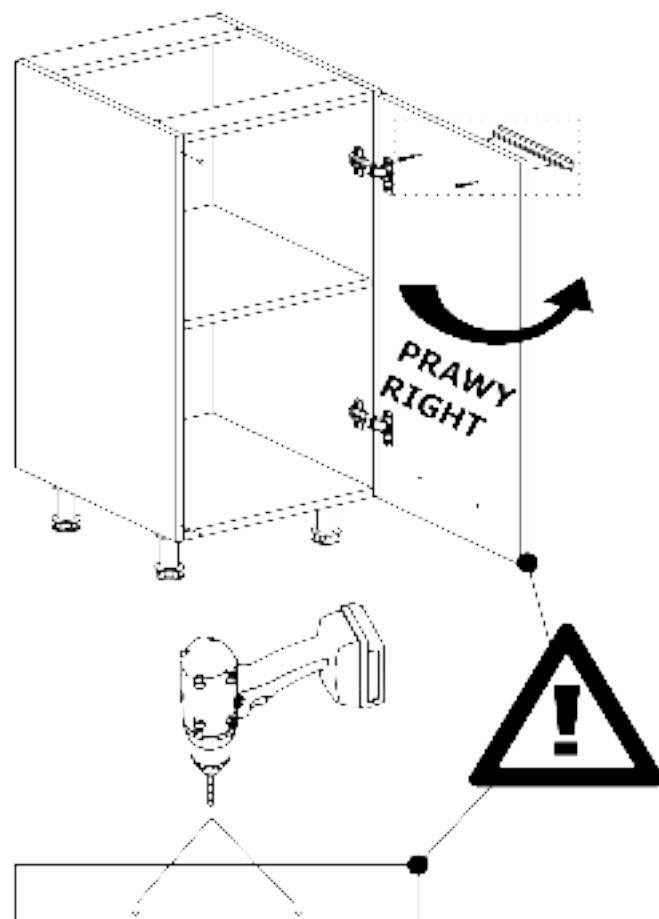
W5



LEWY
LEFT

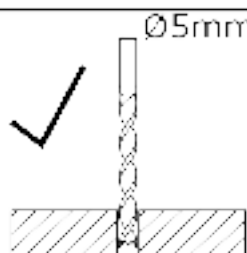
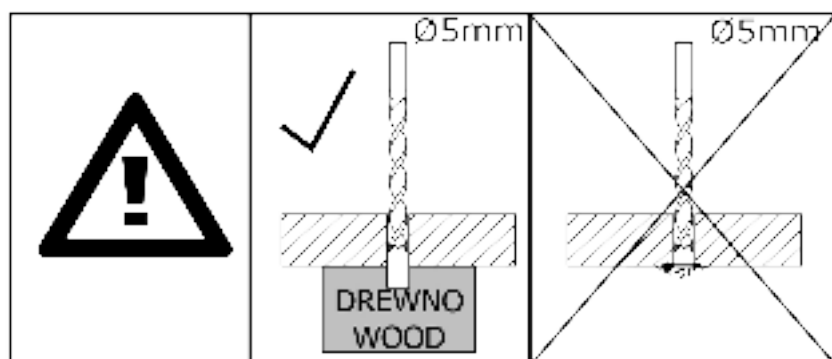
Y1

LEWY
LEFT

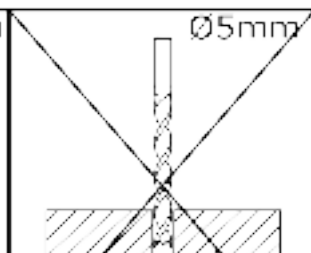


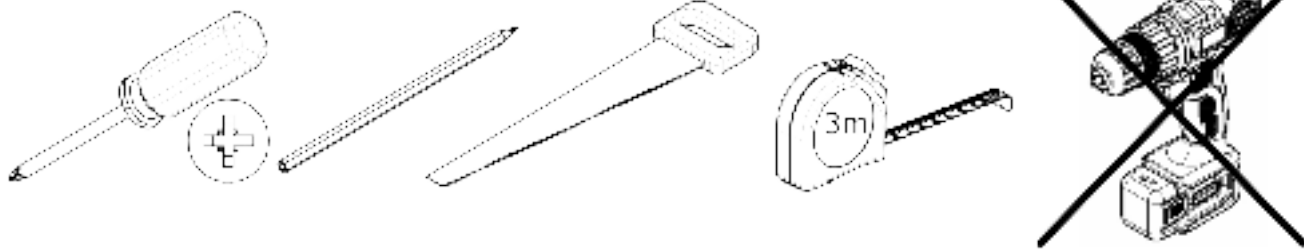
PRAWY
RIGHT

PRAWY
RIGHT

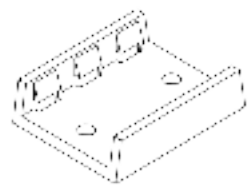


DREWNO
WOOD



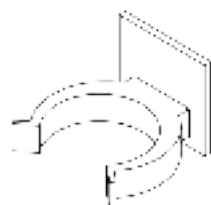


L6-ax8



38x30x10mm

L6-bx8

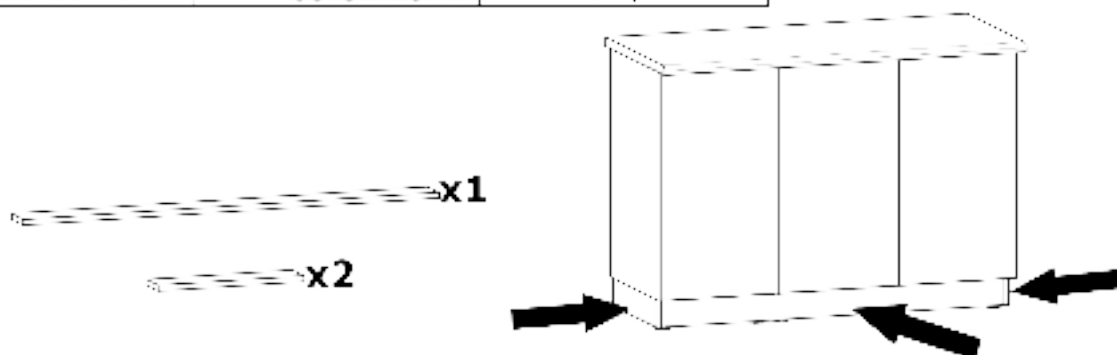


35x32x25mm

W2x16



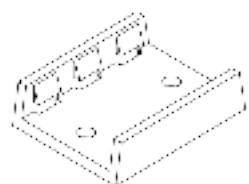
Ø3,5x16mm



C1

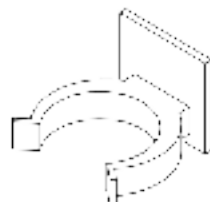


L6-ax4



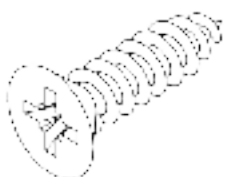
38x30x10mm

L6-bx4

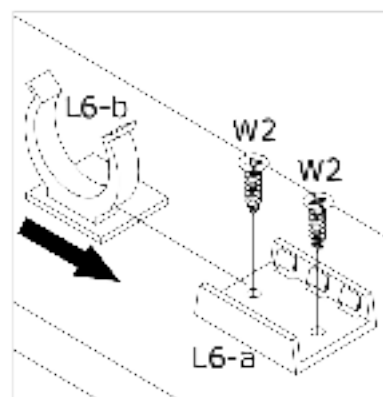
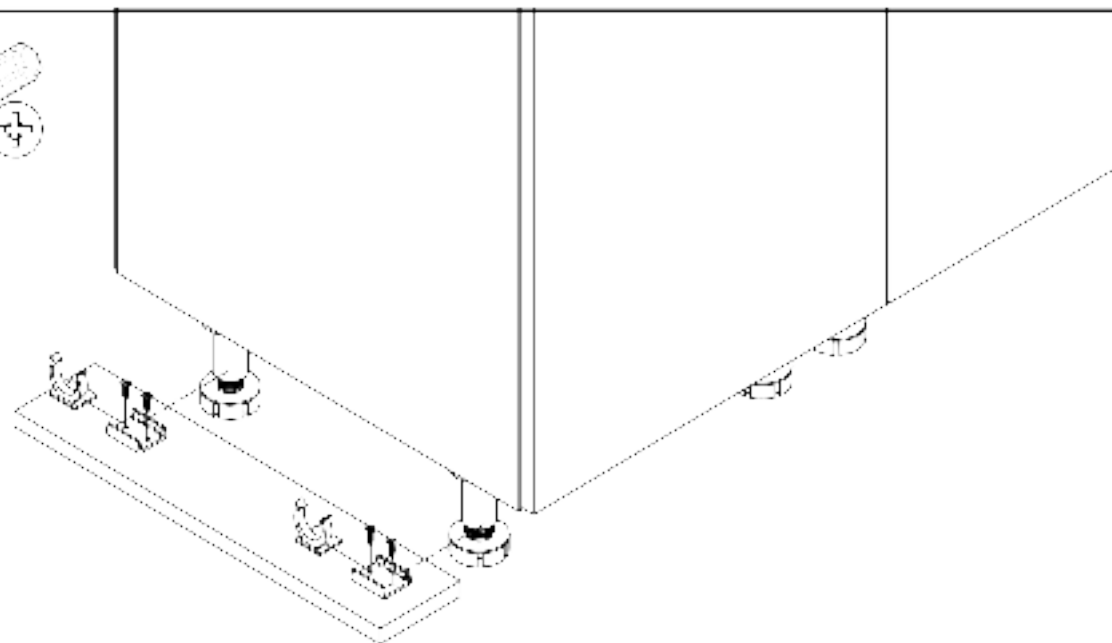


35x32x25mm

W2x8

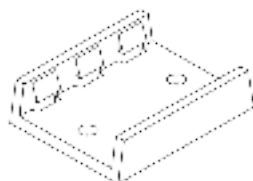


Ø3,5x16mm



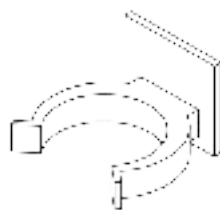
C2

L6-ax4



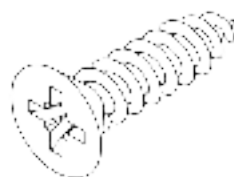
38x30x10mm

L6-bx4

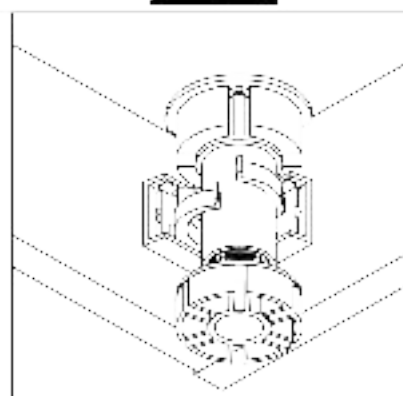
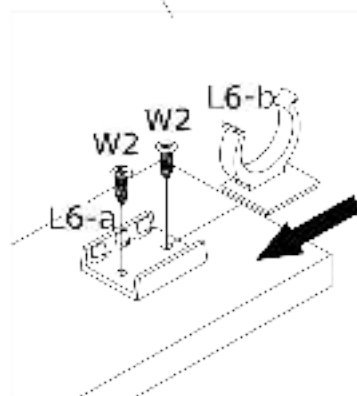
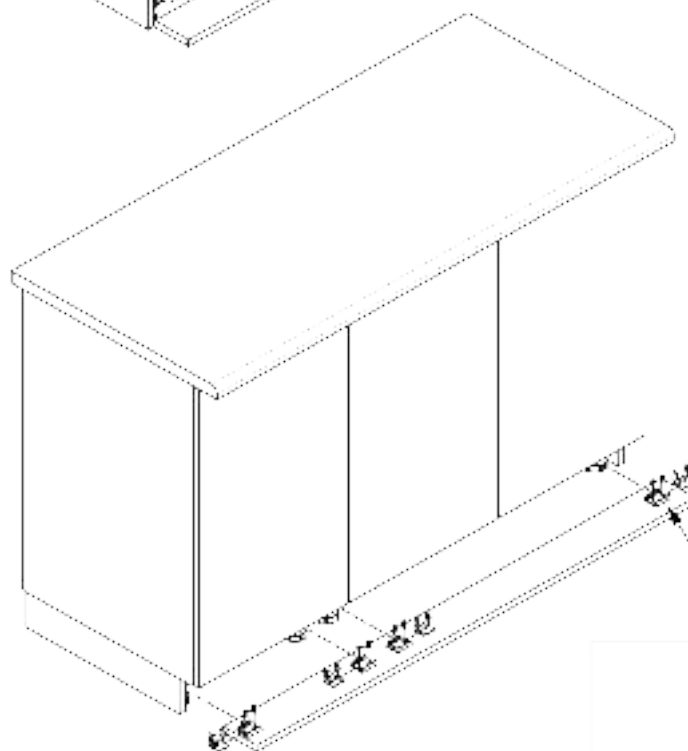
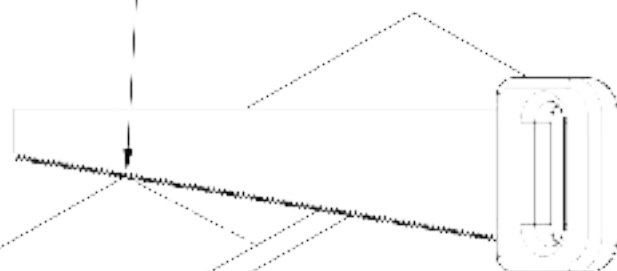
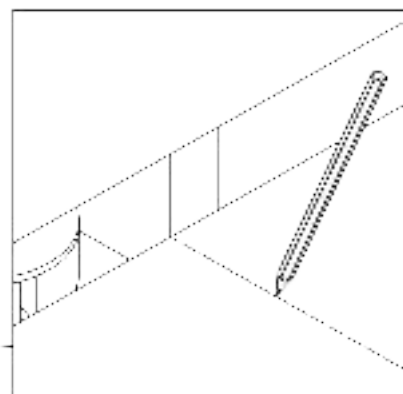
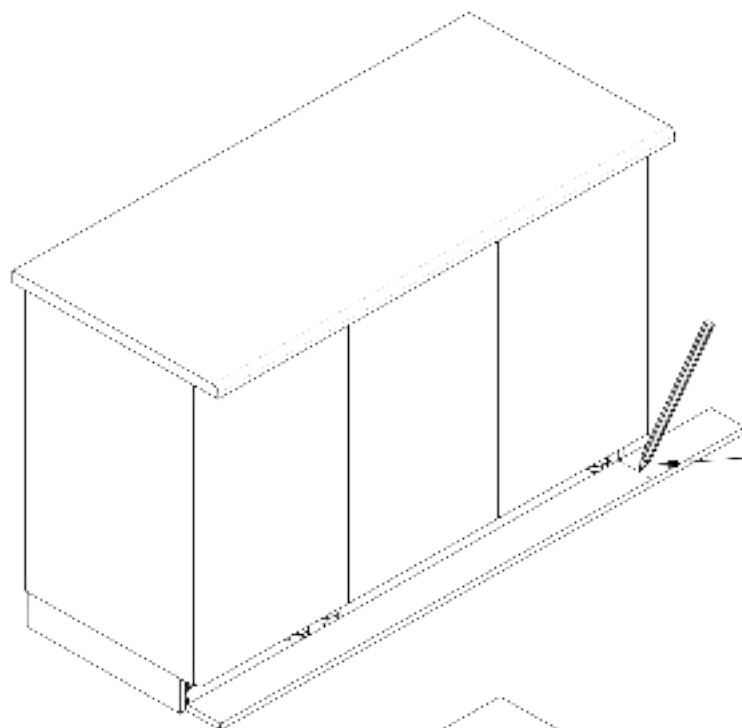


35x32x25mm

W2x8



Ø3,5x16mm



D

