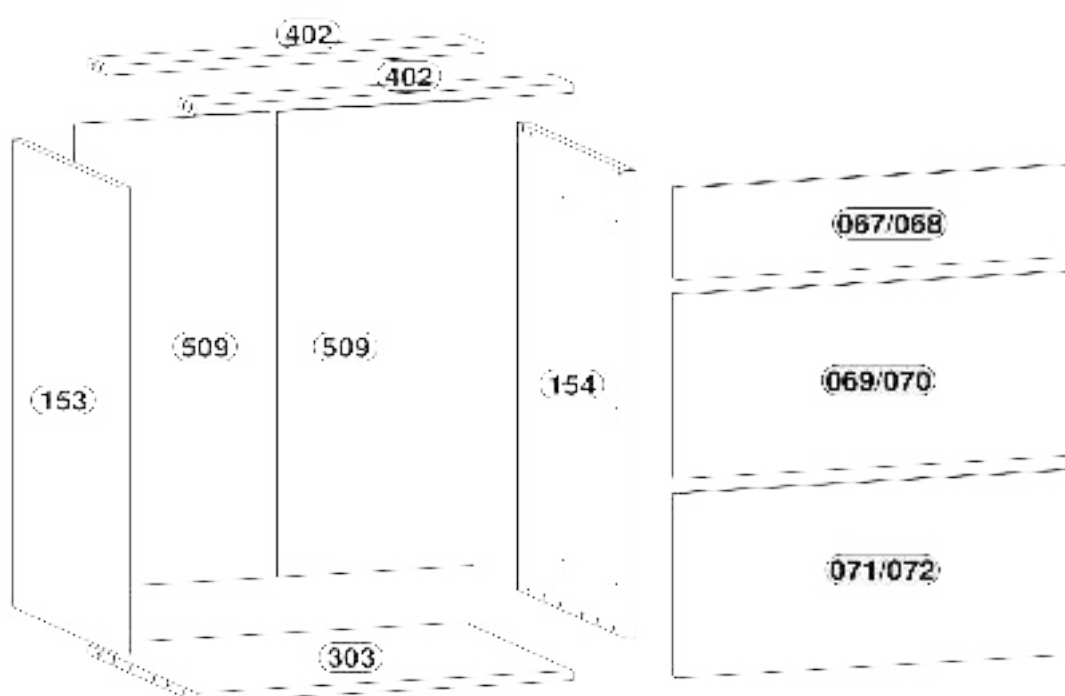
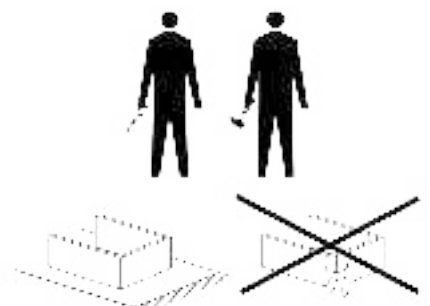
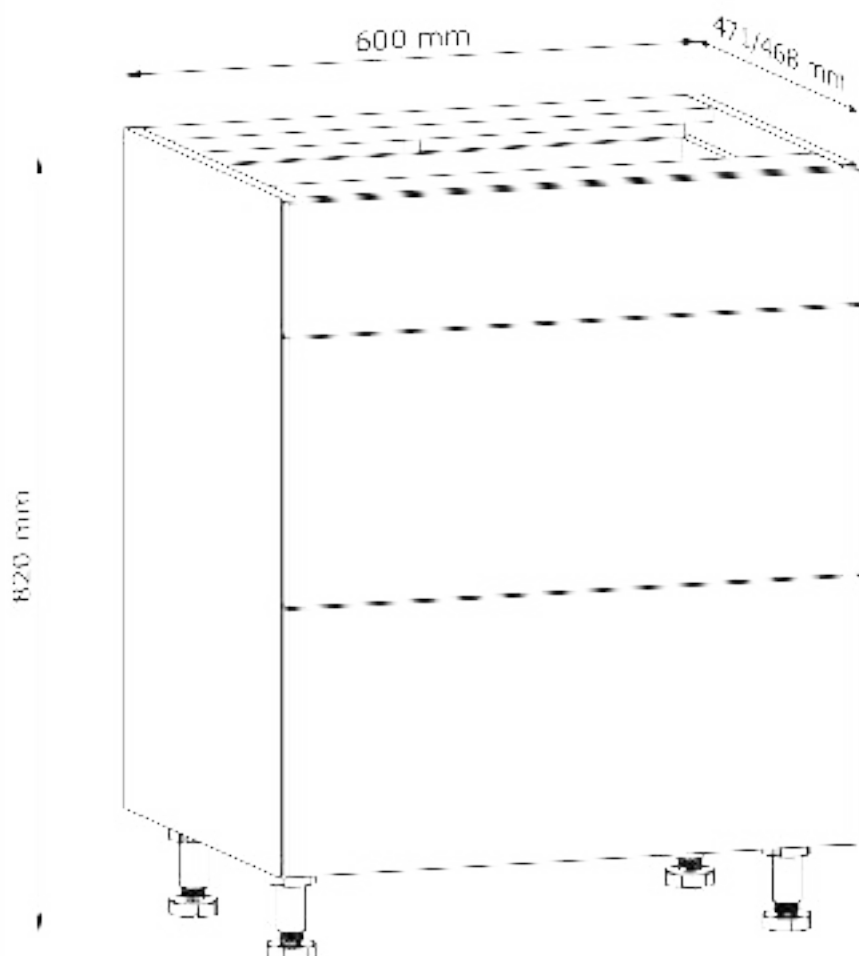
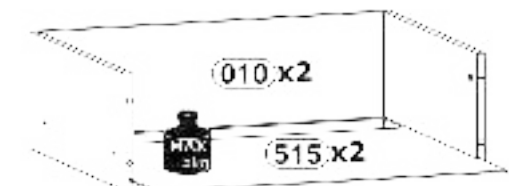
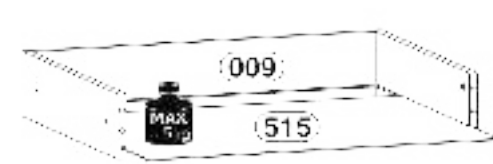


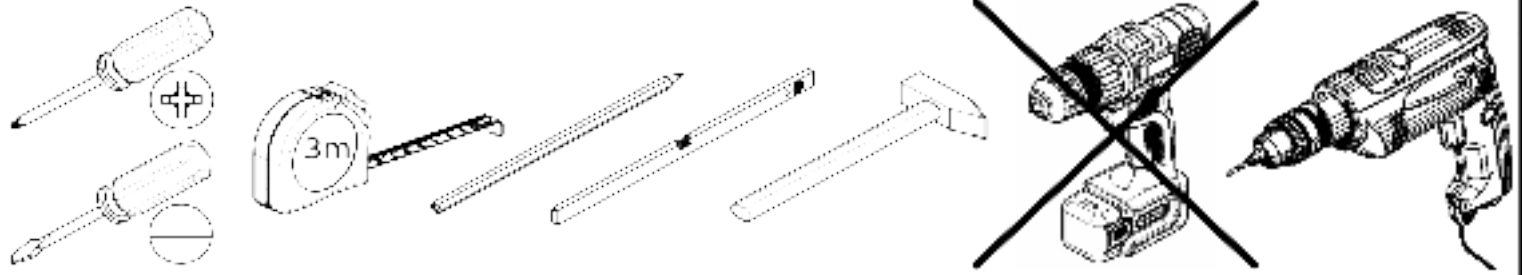
# LANGEN

# D60S3

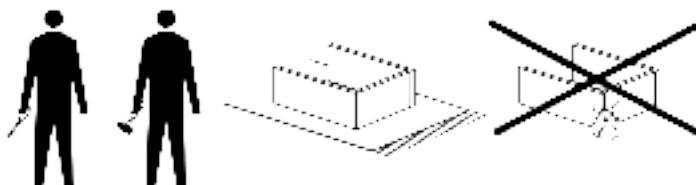


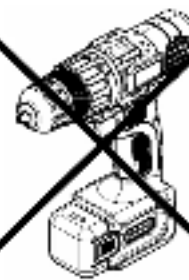
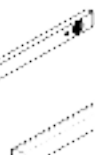
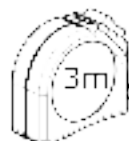
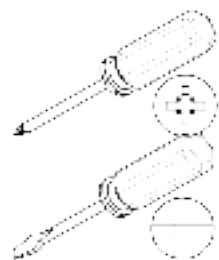
No.	L[mm]	W[mm]	H[mm]	PCS	BOX
009	1344	100	12	1	1/3
010	1344	180	12	2	1/3
067/068	596	141	15/18	1	3/3
069/070	596	283	15/18	1	3/3
071/072	596	283	15/18	1	3/3
153	720	450	15	1	1/3
154	720	450	15	1	1/3
303	570	450	15	1	1/3
402	570	80	15	2	1/3
509	716	207	2,5	2	1/3
515	530	400	2,5	3	1/3





	<b>A1 x18</b>  $\varnothing 8 \times 35 \text{mm}$	<b>B1 x14</b>  $\varnothing 5 \times 38 \text{mm}$	<b>C1 x8</b>  $\varnothing 15 \times 12 \text{mm}$	<b>C2 x6</b>  $\varnothing 12 \times 10 \text{mm}$
<b>G1 x28</b>  26mm	<b>H4 x1</b>  715mm	<b>J1 x6</b>  $\varnothing 21 \text{mm}$	<b>L1 x4</b>  $\varnothing 50 \times 95 \text{mm}$	<b>P18 x6</b> <b>PUSH OPEN</b>  400x45x13mm
<b>S3 x3</b>  400mm	<b>W1 x24</b>  $\varnothing 3,5 \times 13 \text{mm}$	<b>W2 x16</b>  $\varnothing 3,5 \times 16 \text{mm}$	<b>W16 x18</b>  $\varnothing 3,5 \times 13 \text{mm}$	





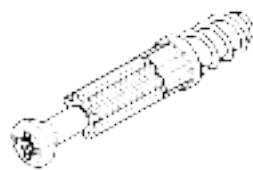
**B**

**A1 x 18**



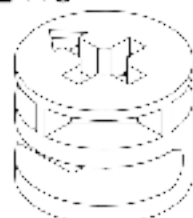
Ø8x35mm

**B1 x 14**



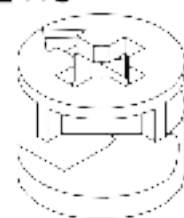
Ø5x38mm

**C1 x 8**



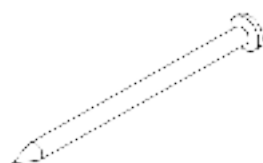
Ø15x12mm

**C2 x 6**



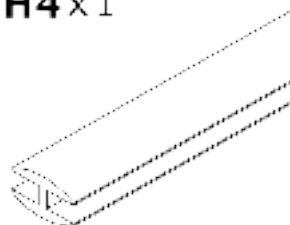
Ø12x10mm

**G1 x 28**



26mm

**H4 x 1**



715mm

**J1 x 6**



Ø21mm

**L1 x 4**



Ø50x95mm

**P17 x 6**



400x45x13mm

**S3 x 3**



400mm

**U19 x 3**



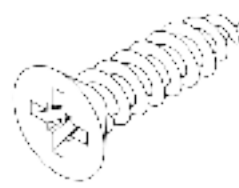
300mm

**W1 x 24**



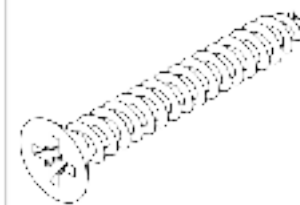
Ø3,5x13mm

**W2 x 16**



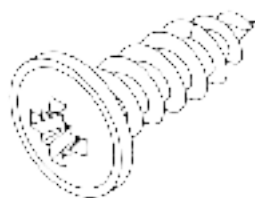
Ø3,5x16mm

**W5 x 6**



Ø4x30mm

**W16 x 18**



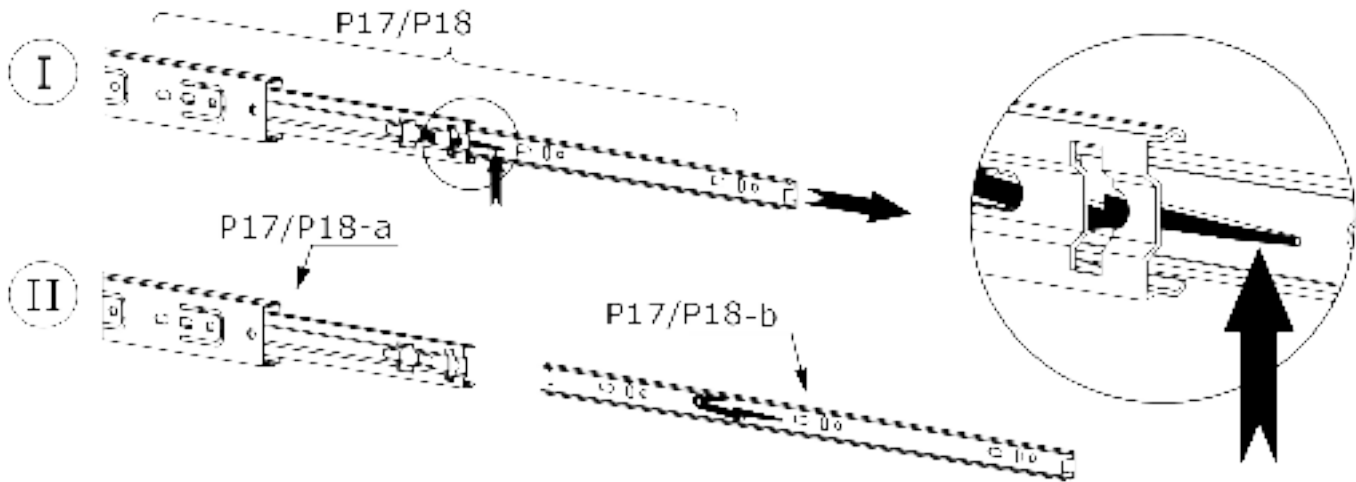
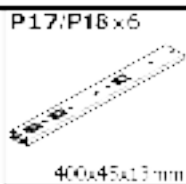
Ø3,5x13mm

**Y1 x 6**

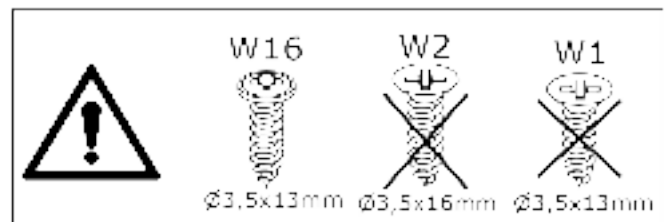
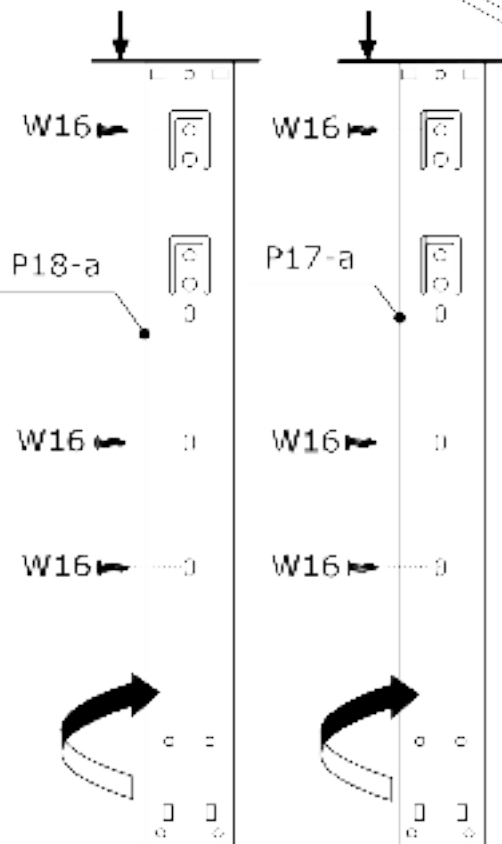
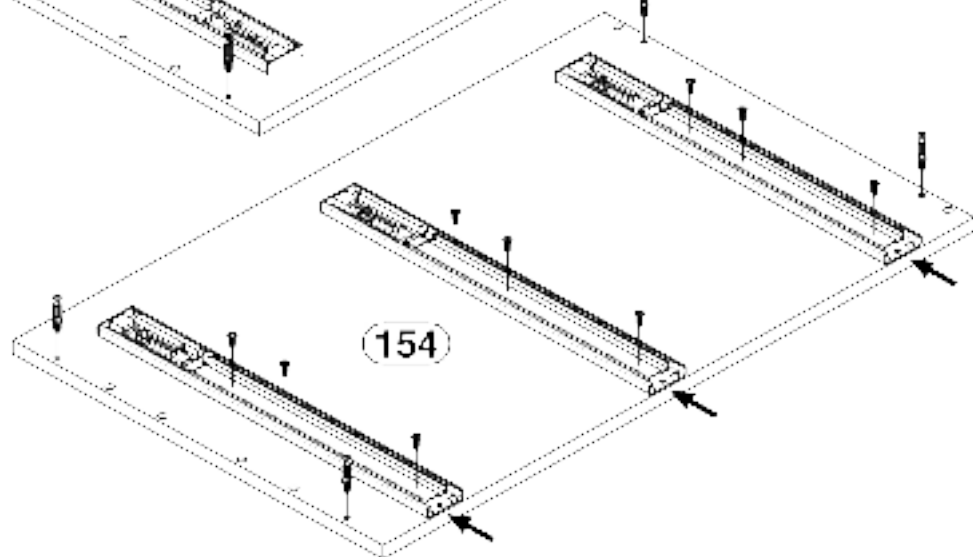
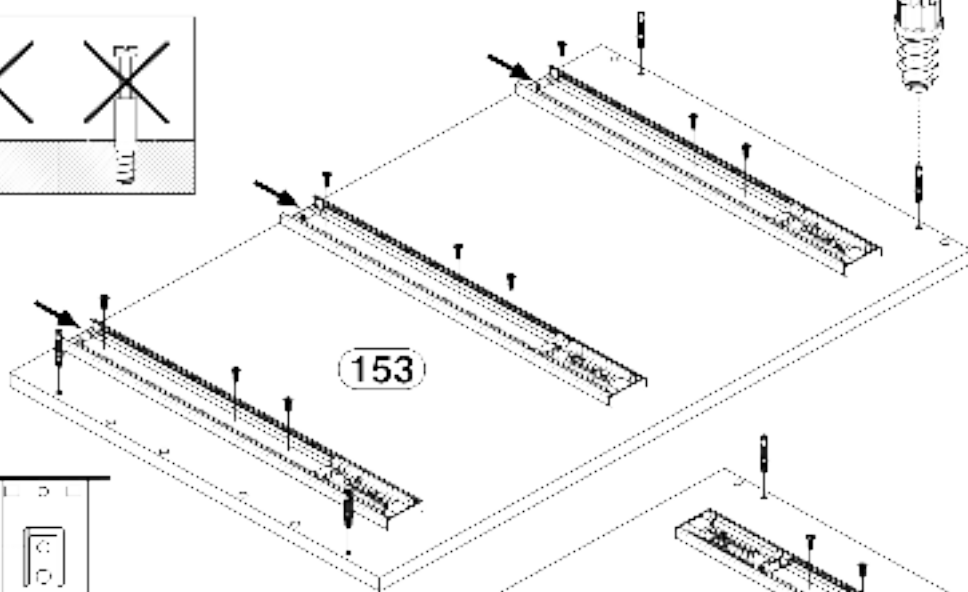
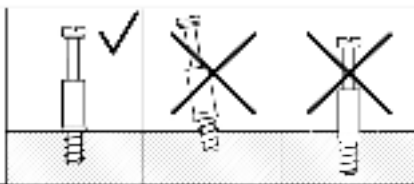
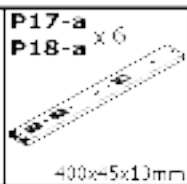
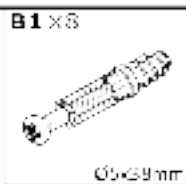


Ø8x1,5mm

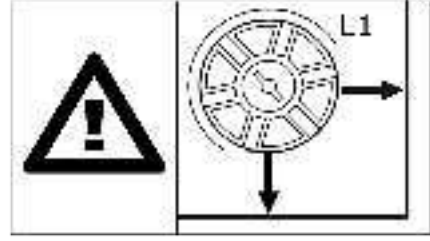
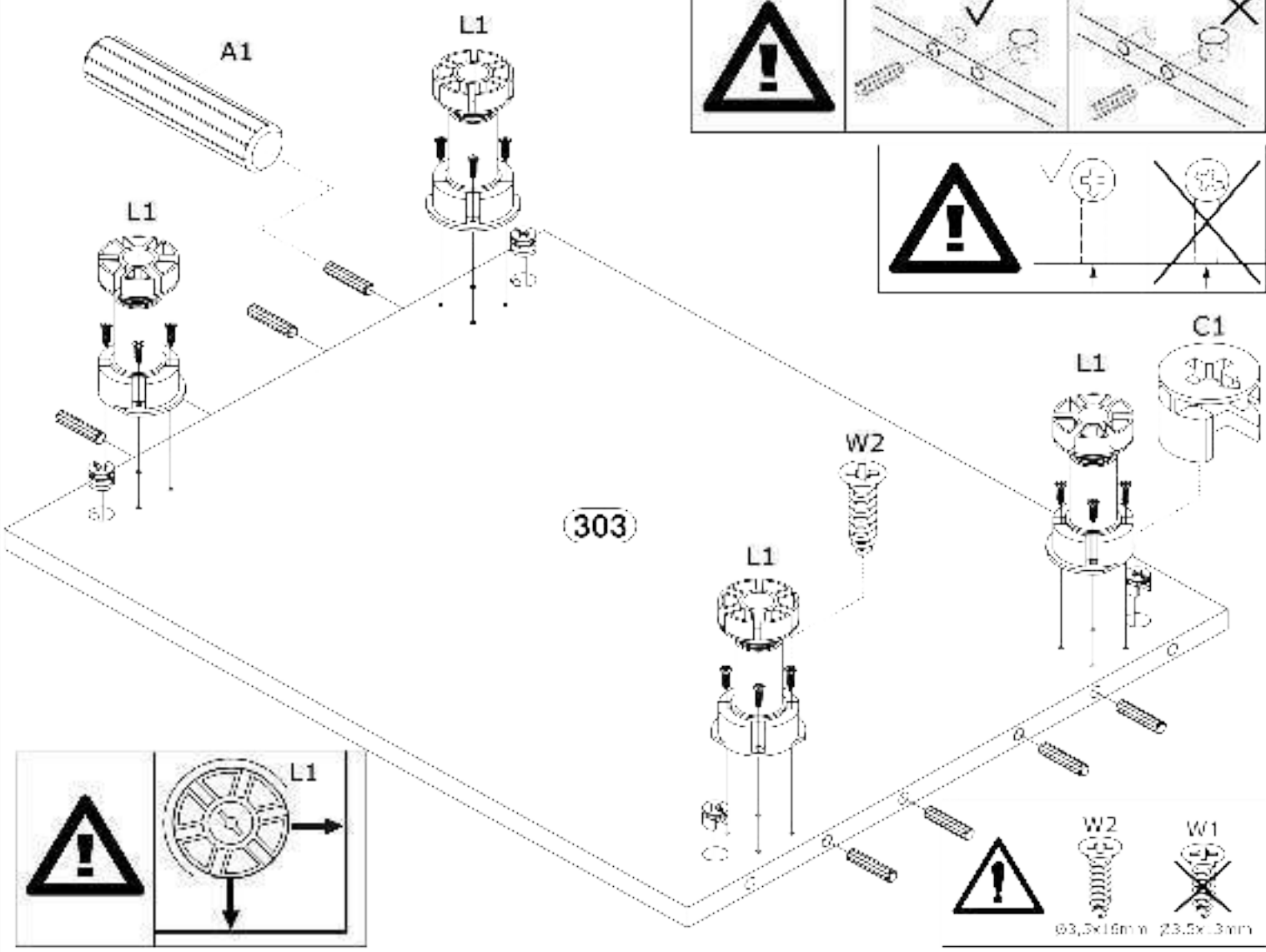
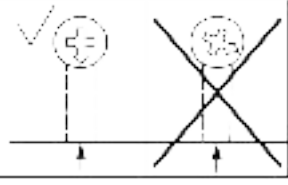
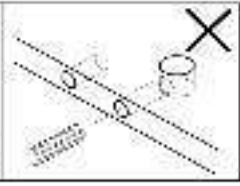
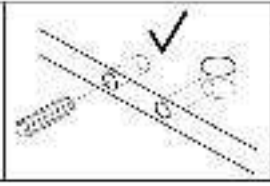
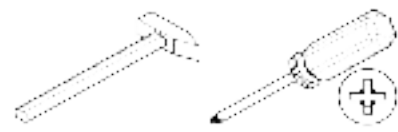
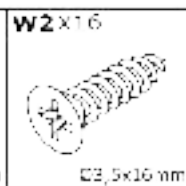
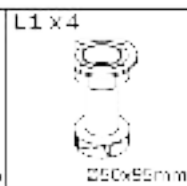
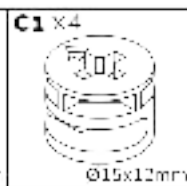
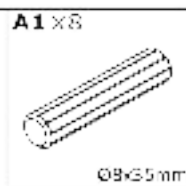
**1**



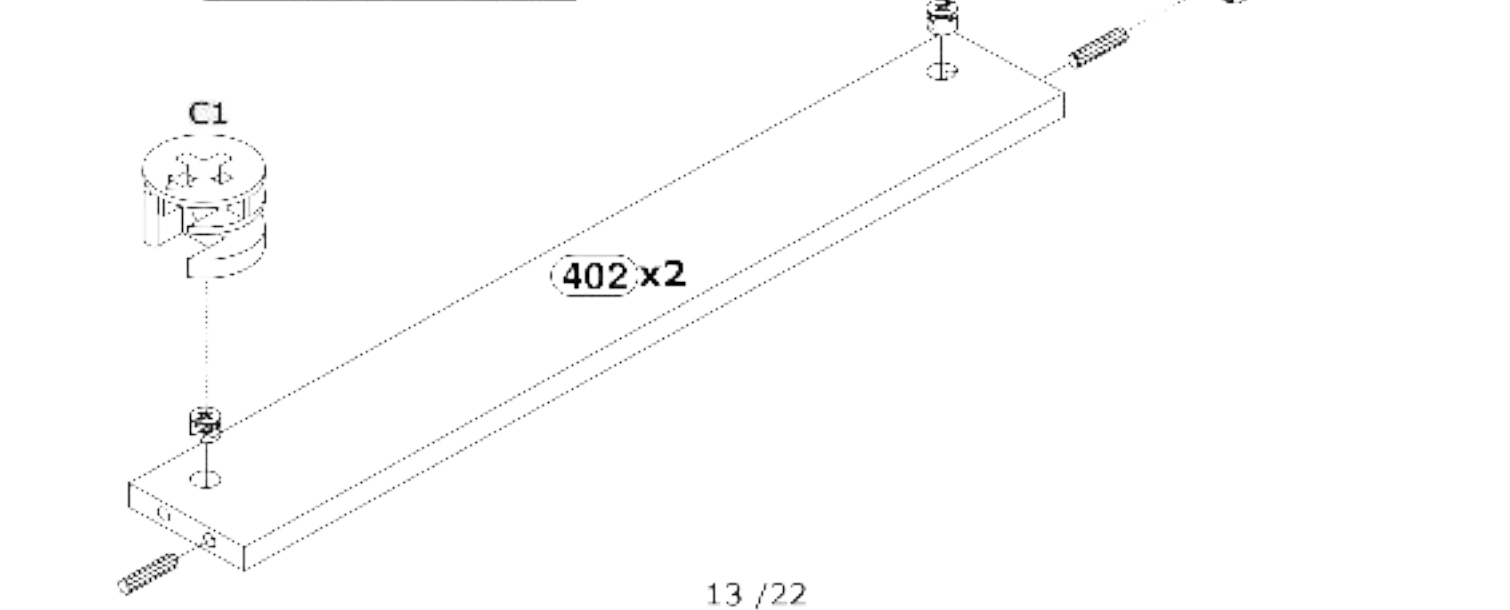
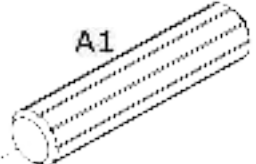
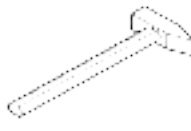
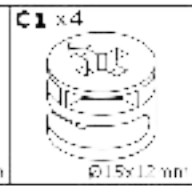
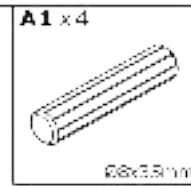
**2**



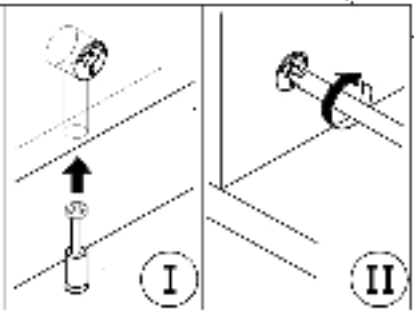
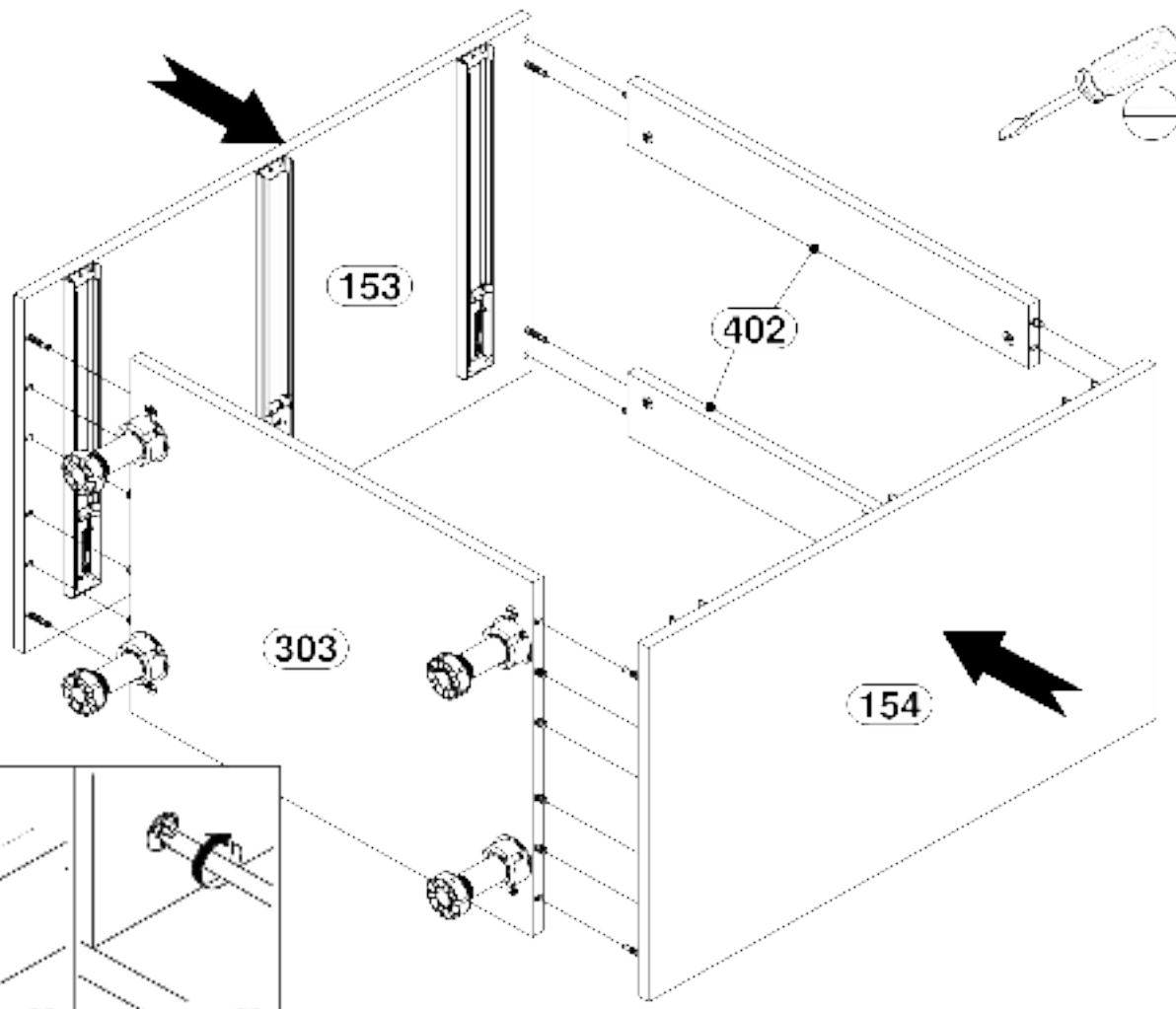
**3**



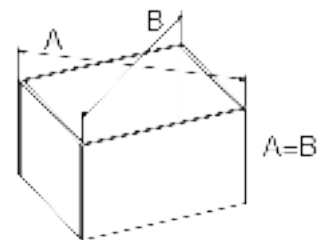
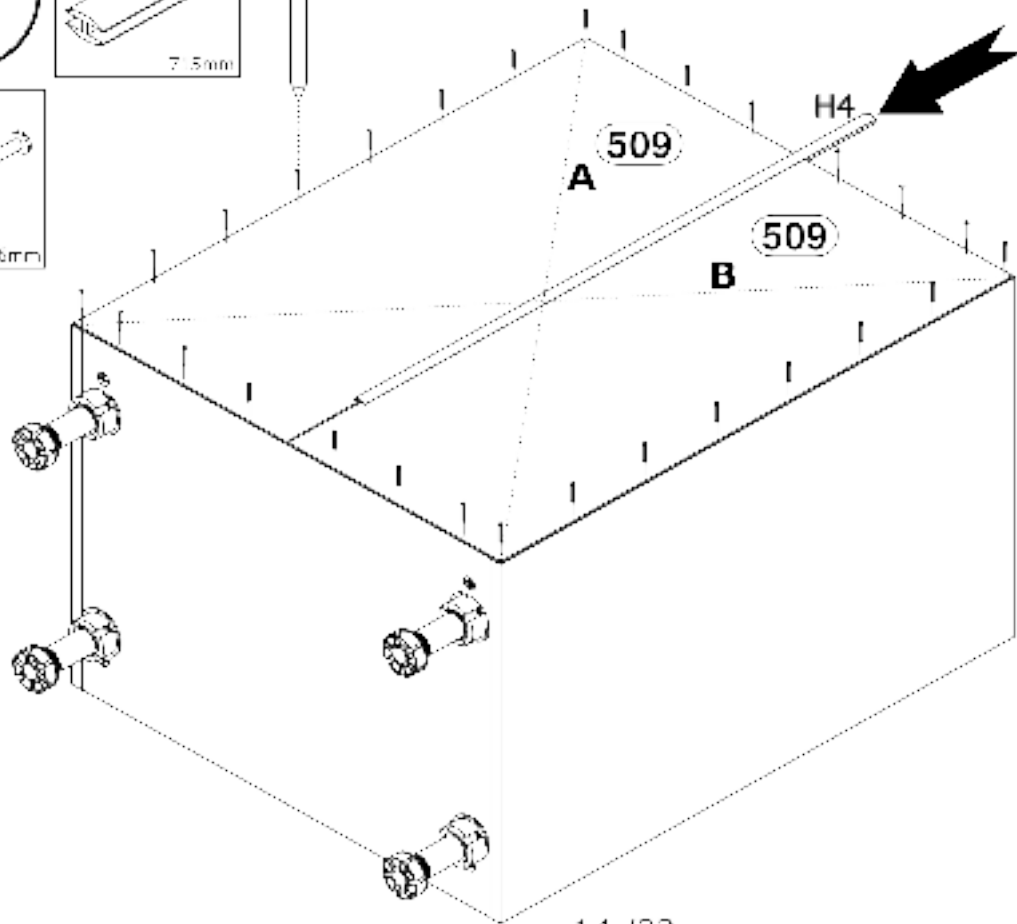
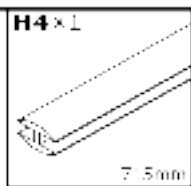
**4**



5



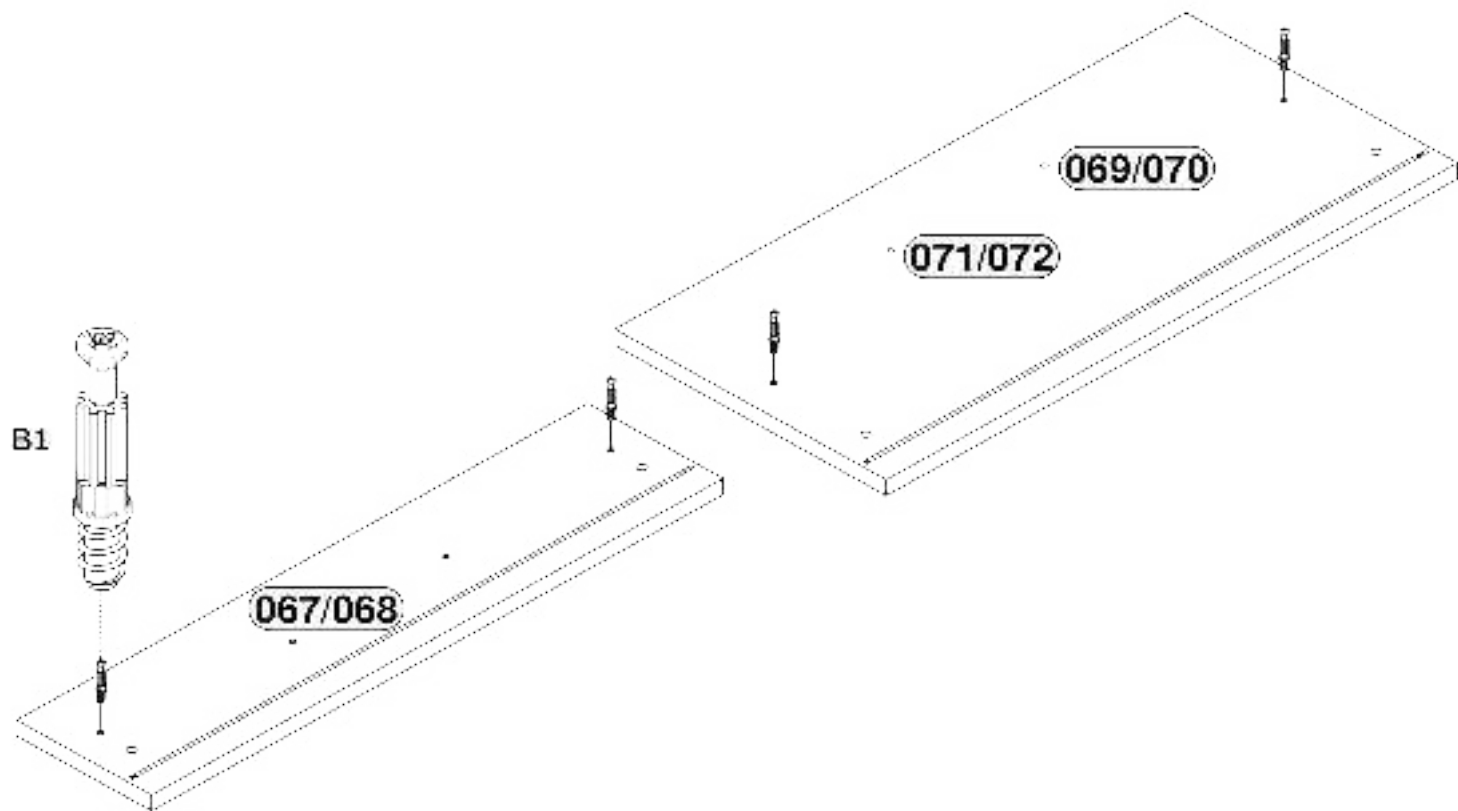
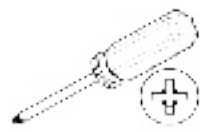
6



A=B ≙ 90°

7

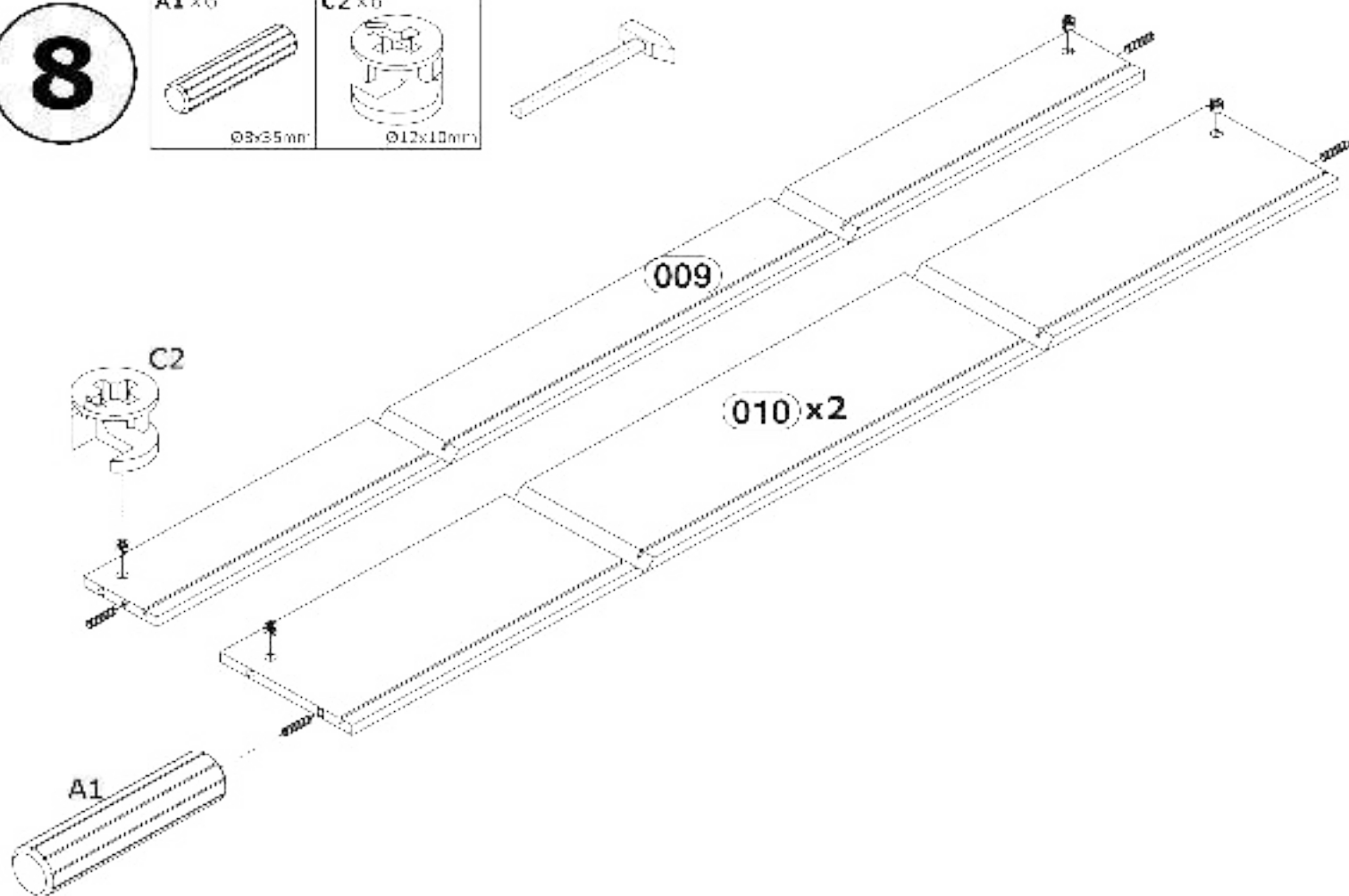
B1 x6  
Ø5x33mm



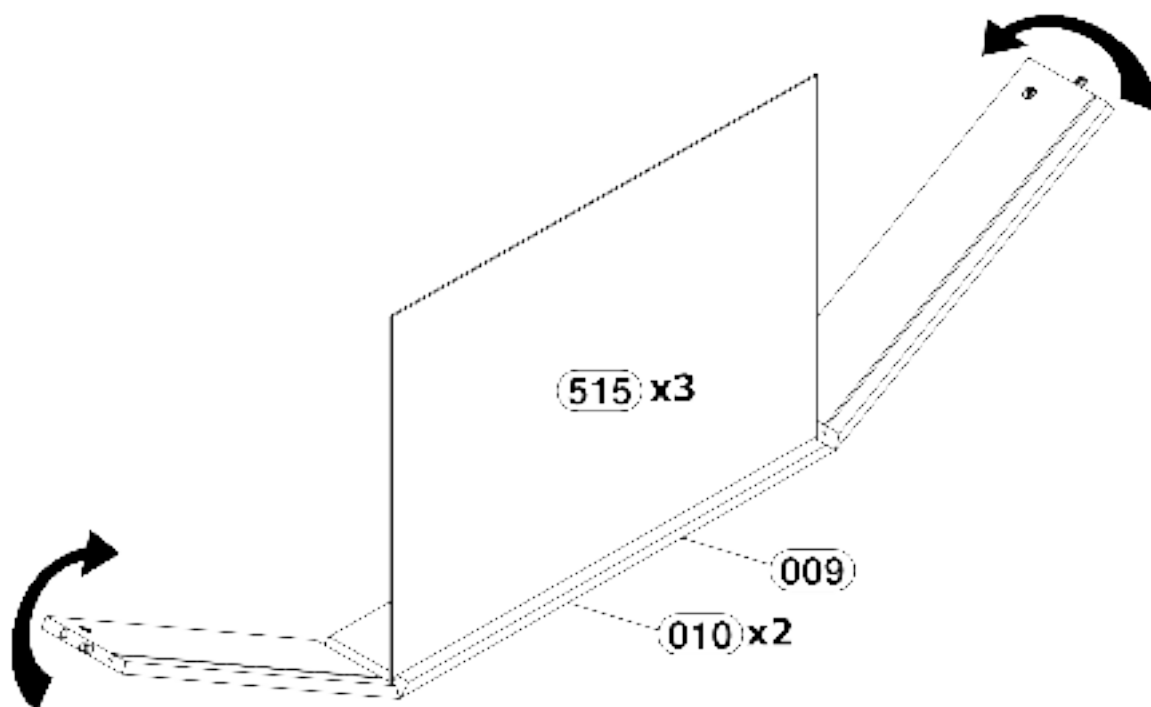
8

A1 x6  
Ø3x35mm

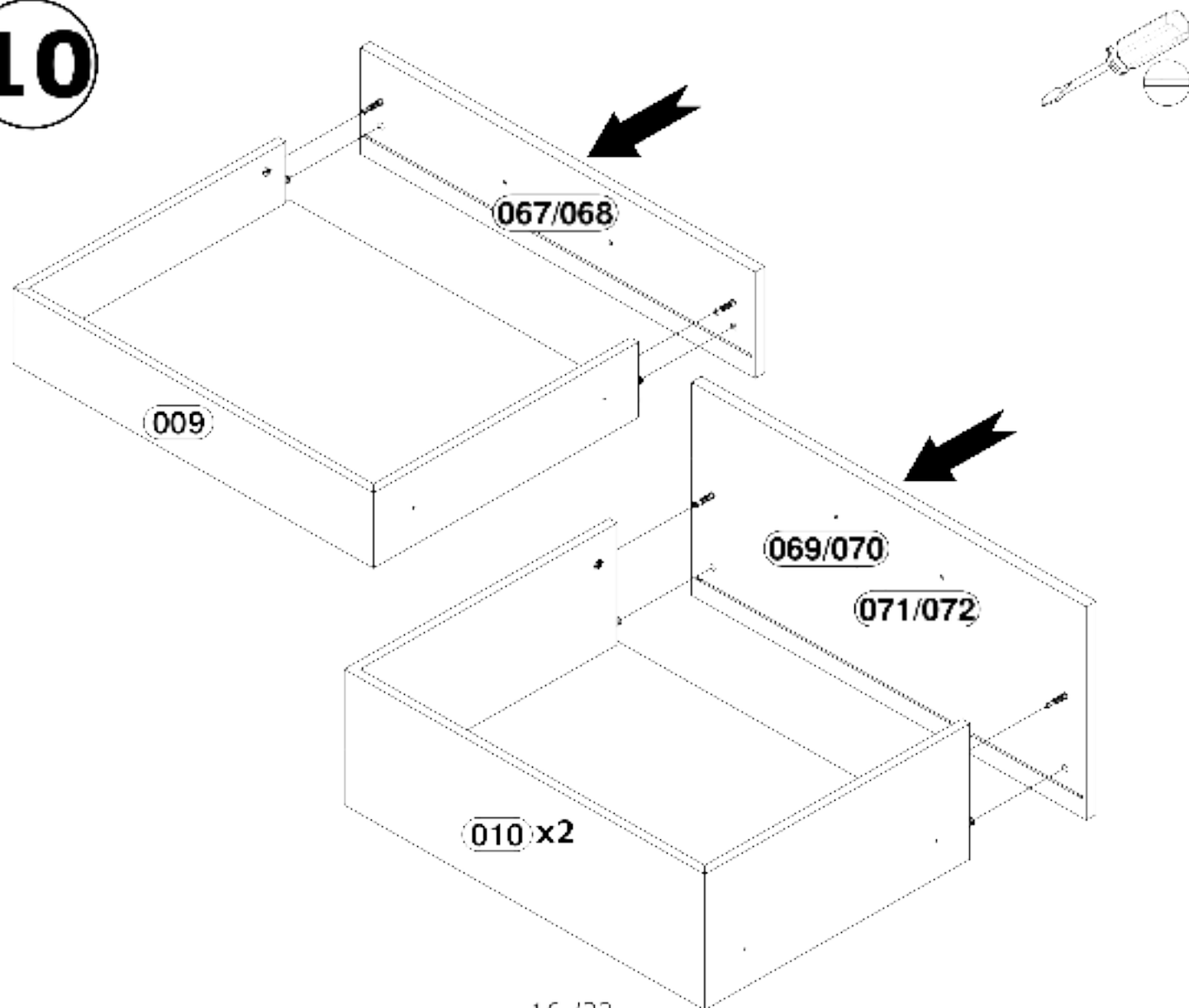
C2 x6  
Ø12x10mm



9

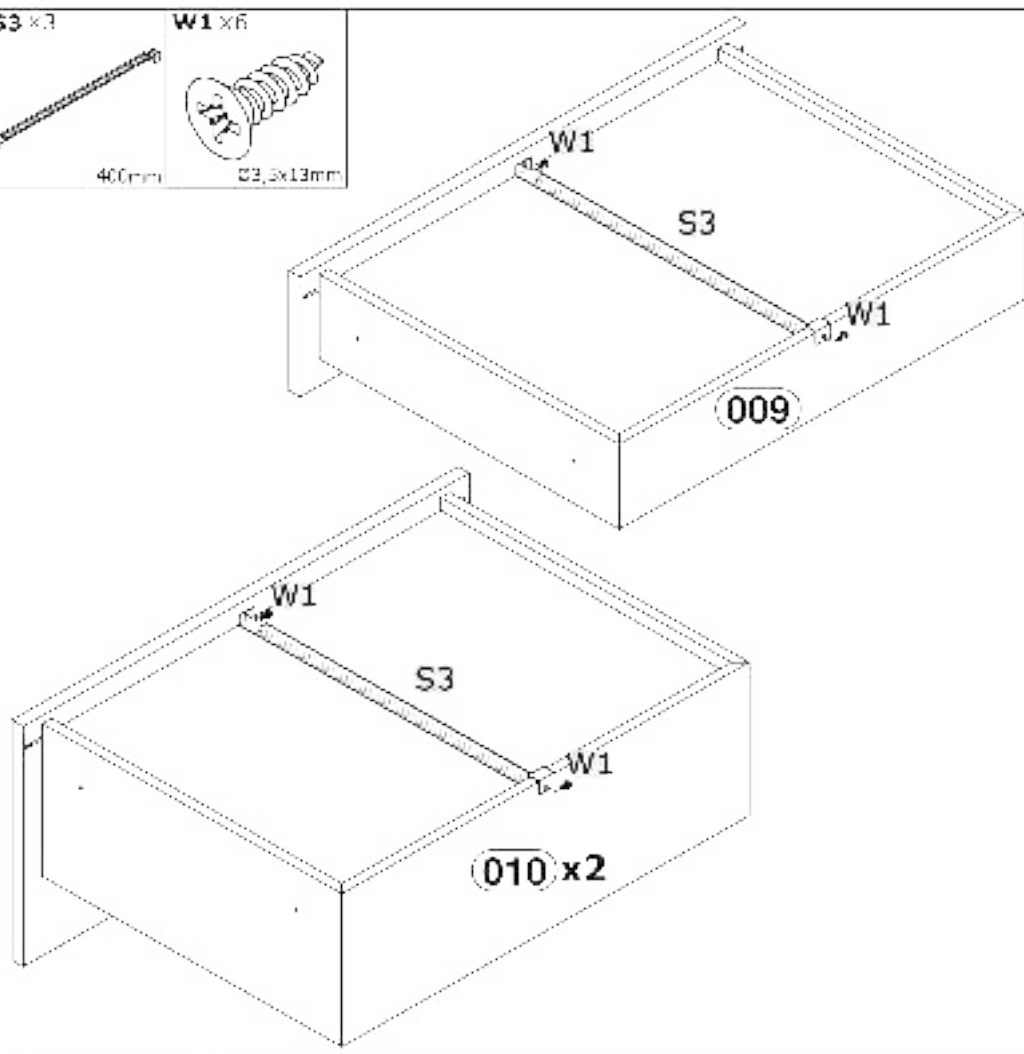
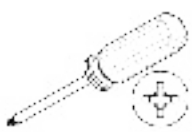
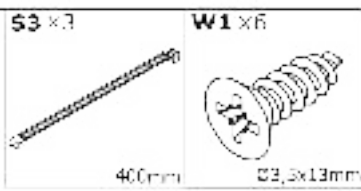


10

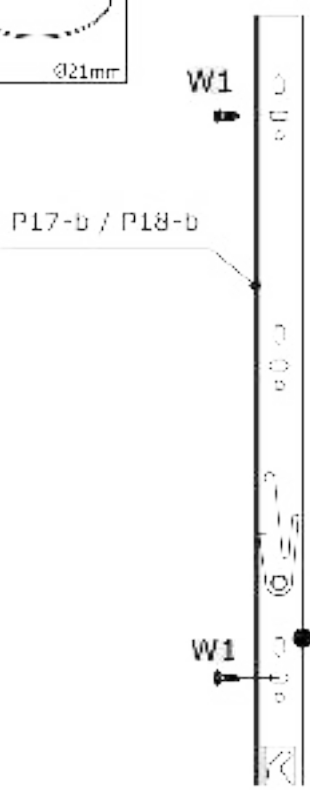
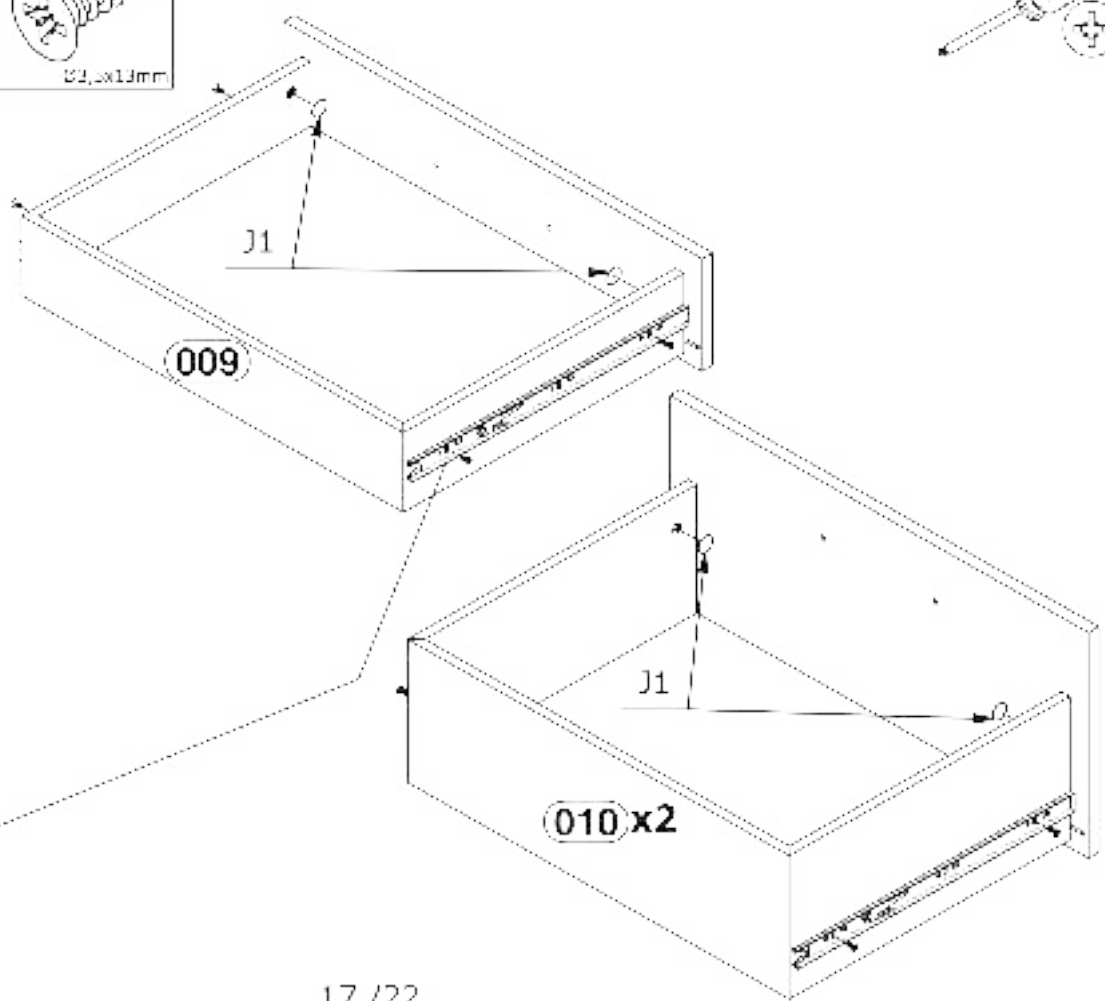
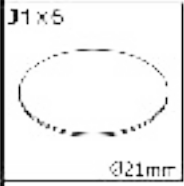
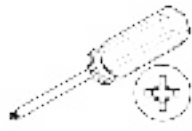
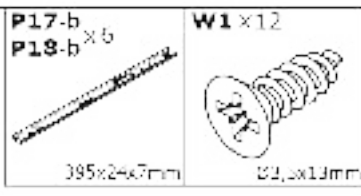




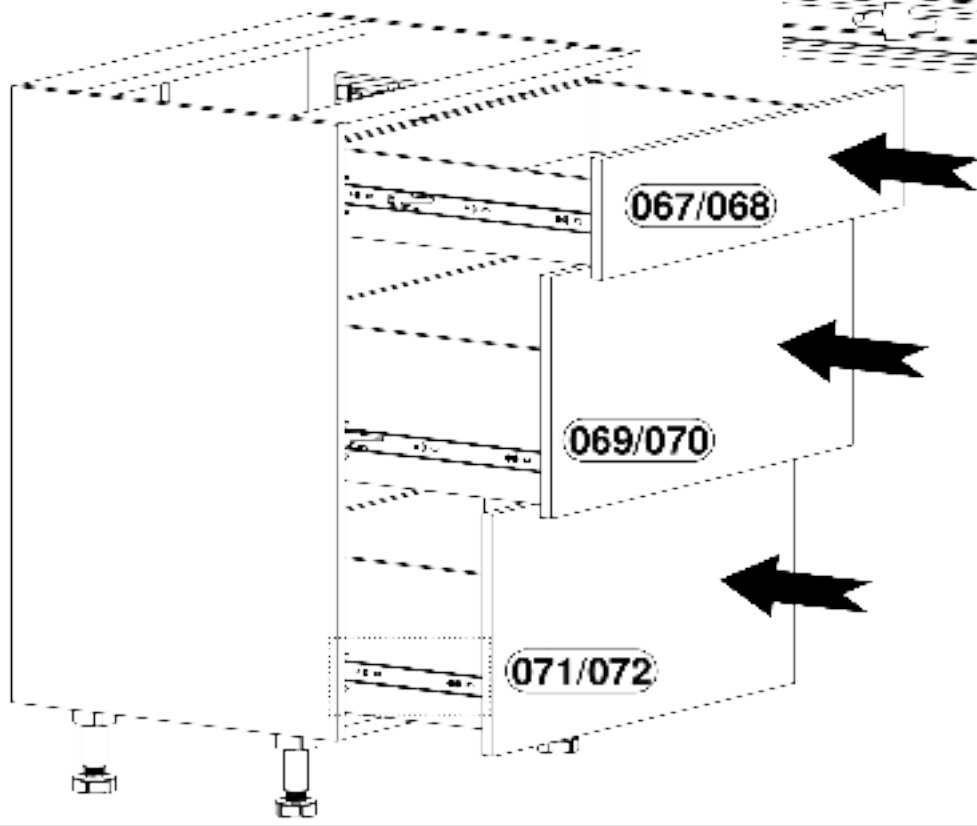
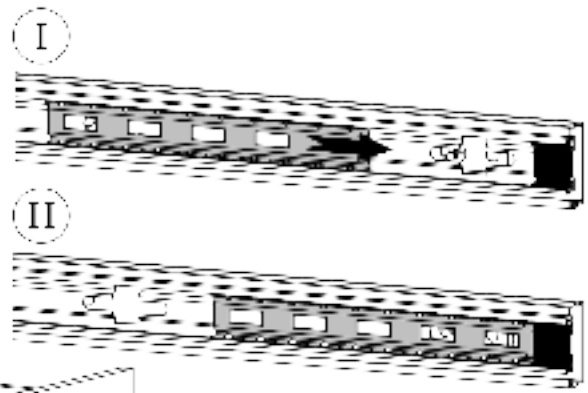
**11**



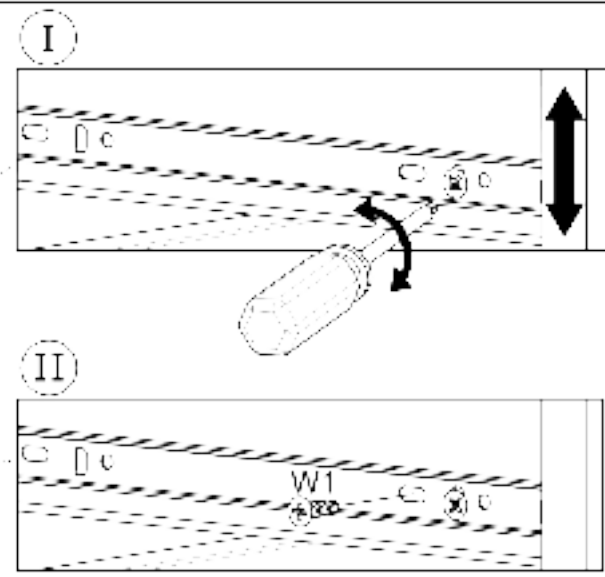
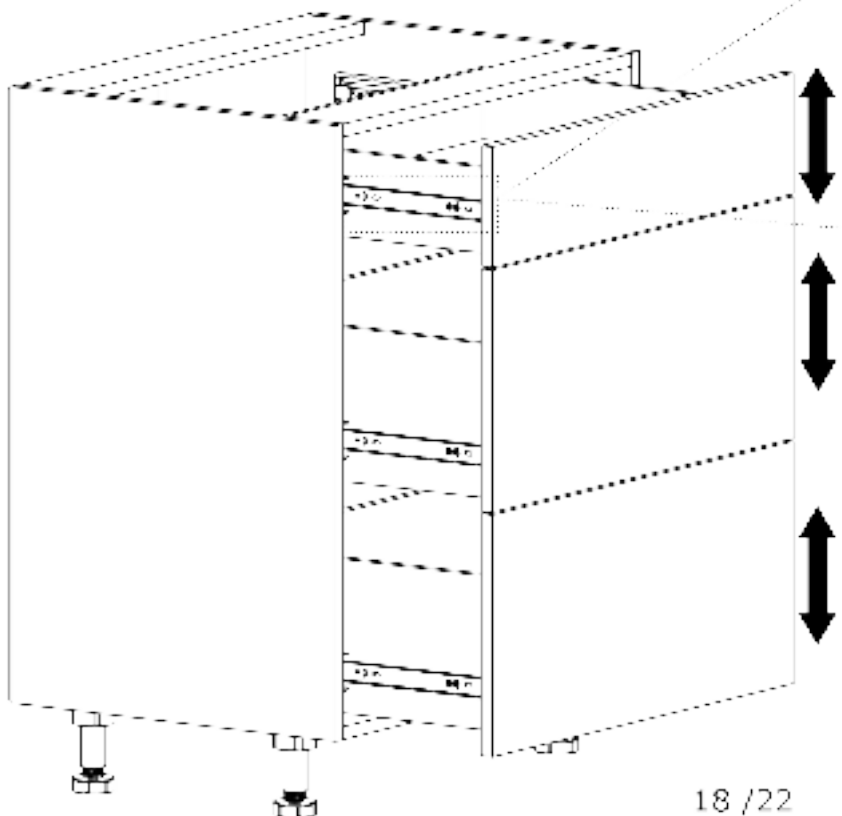
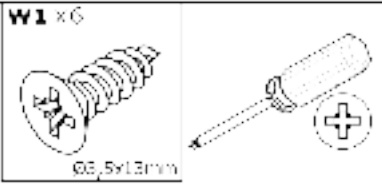
**12**



**13**

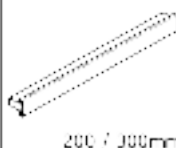


**14**



**B**

U18 / U19



200 / 300mm

W5

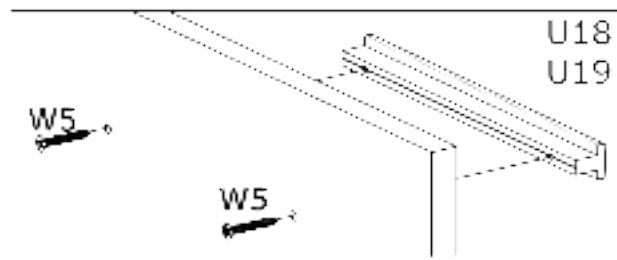


Ø40mm

Y1



28x13mm

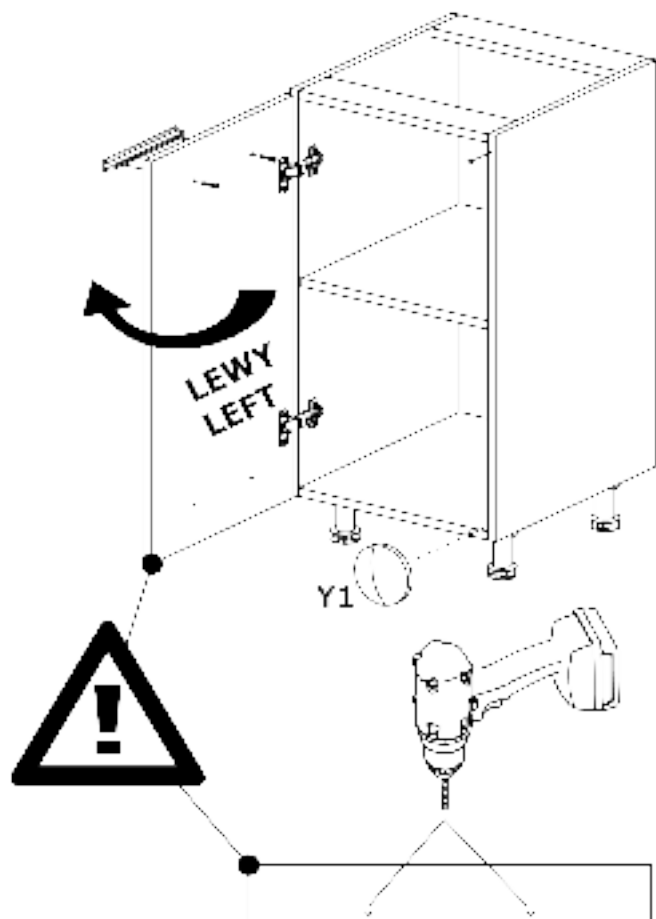


U18

U19

W5

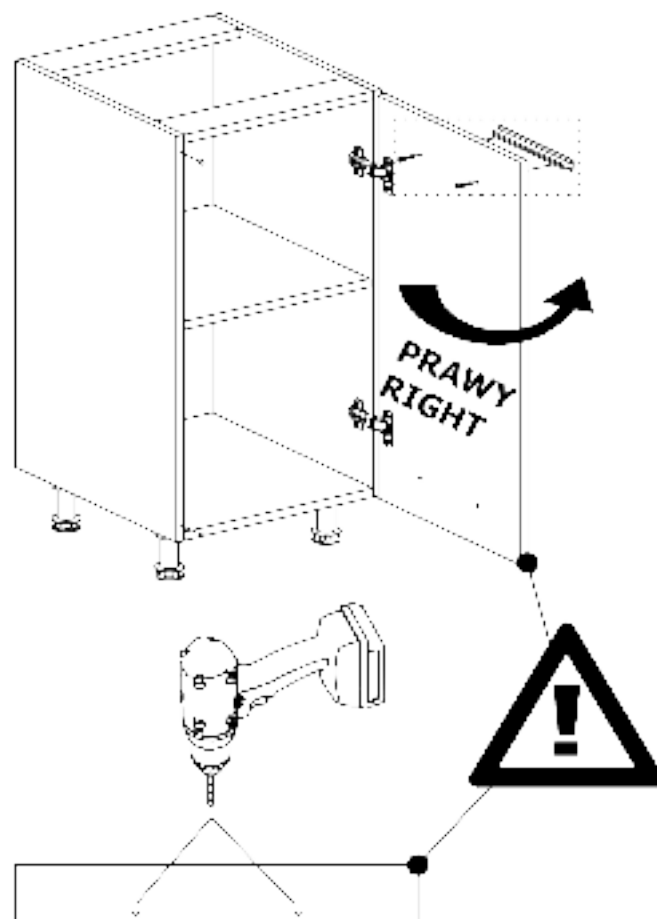
W5



LEWY  
LEFT

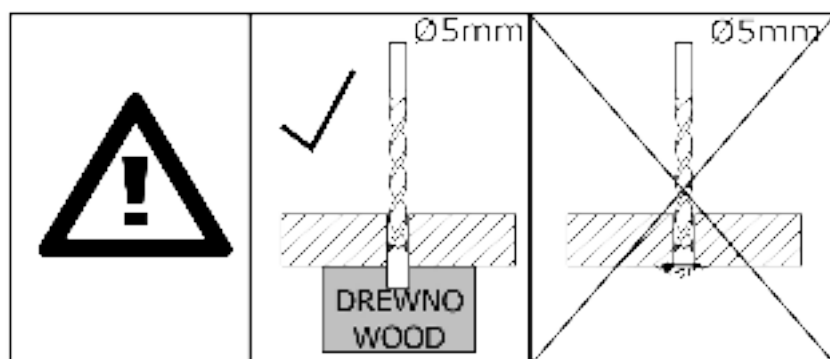
Y1

LEWY  
LEFT



PRAWY  
RIGHT

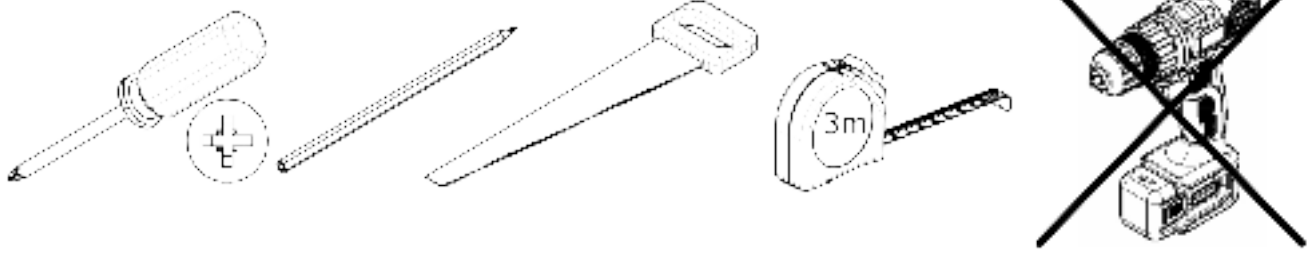
PRAWY  
RIGHT



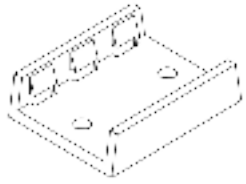
Ø5mm

Ø5mm

DREWNO  
WOOD

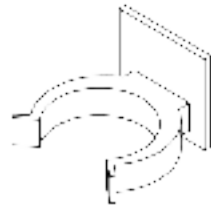


**L6-a**x8



38x30x10mm

**L6-b**x8

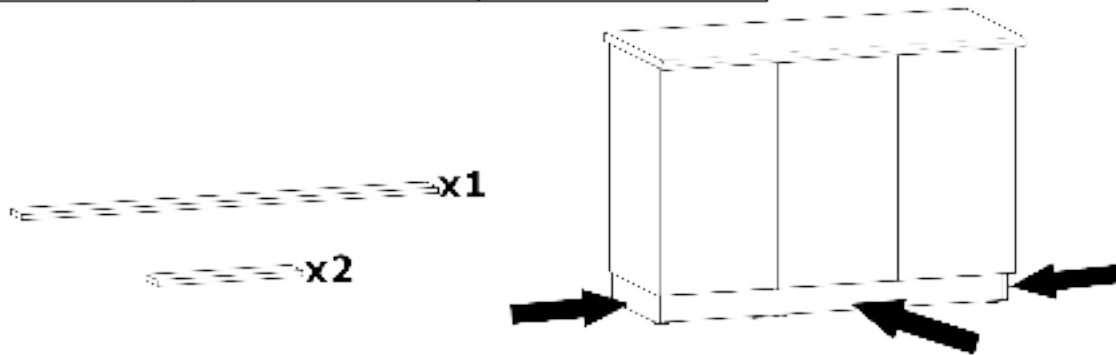


35x32x25mm

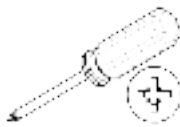
**W2**x16



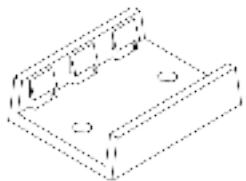
Ø3,5x16mm



**C1**

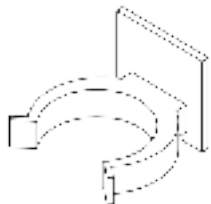


**L6-a**x4



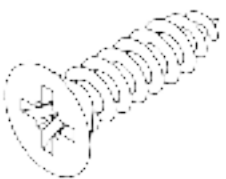
38x30x10mm

**L6-b**x4

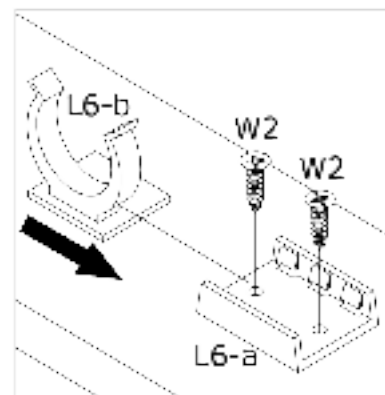
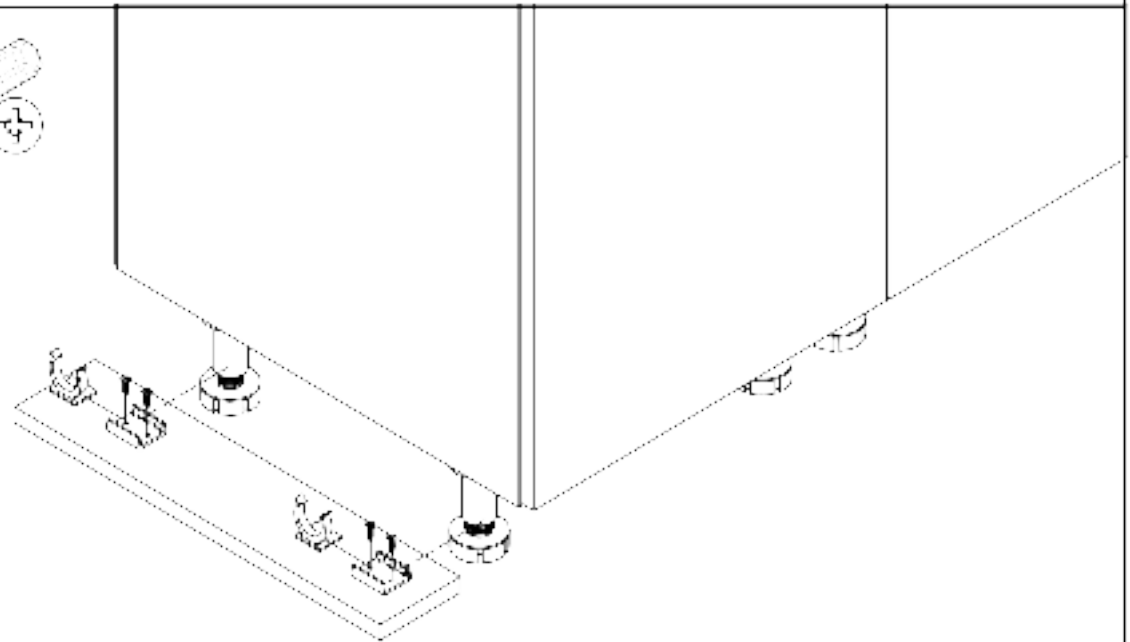


35x32x25mm

**W2**x8

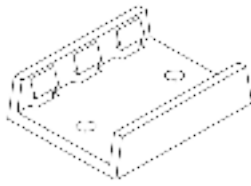


Ø3,5x16mm



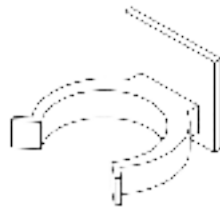
**C2**

**L6-a** x4



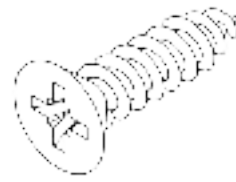
38x30x10mm

**L6-b** x4

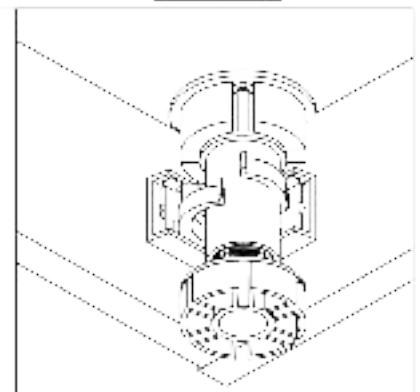
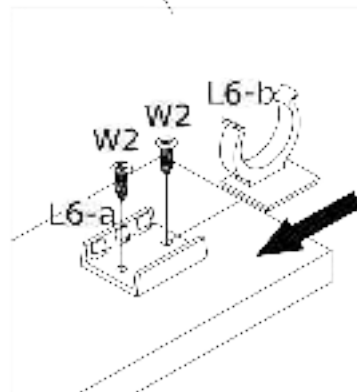
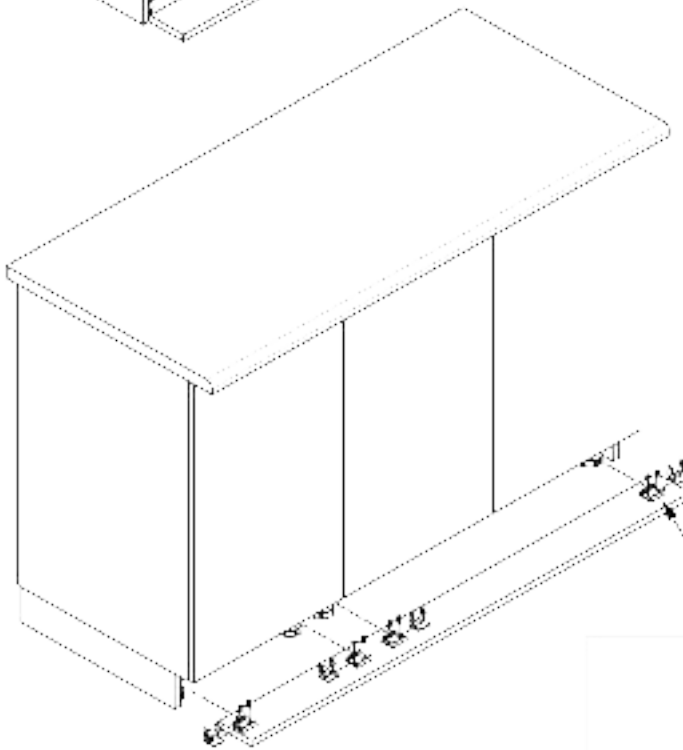
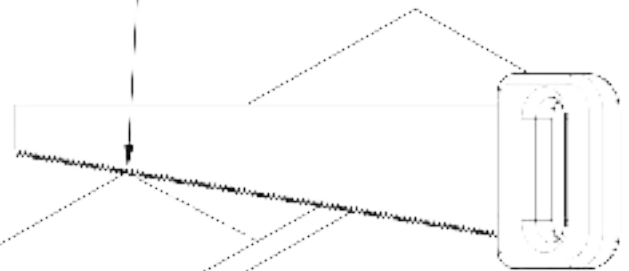
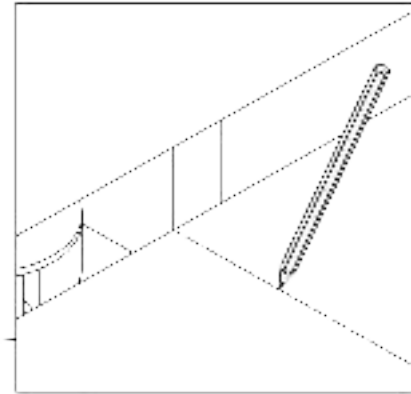
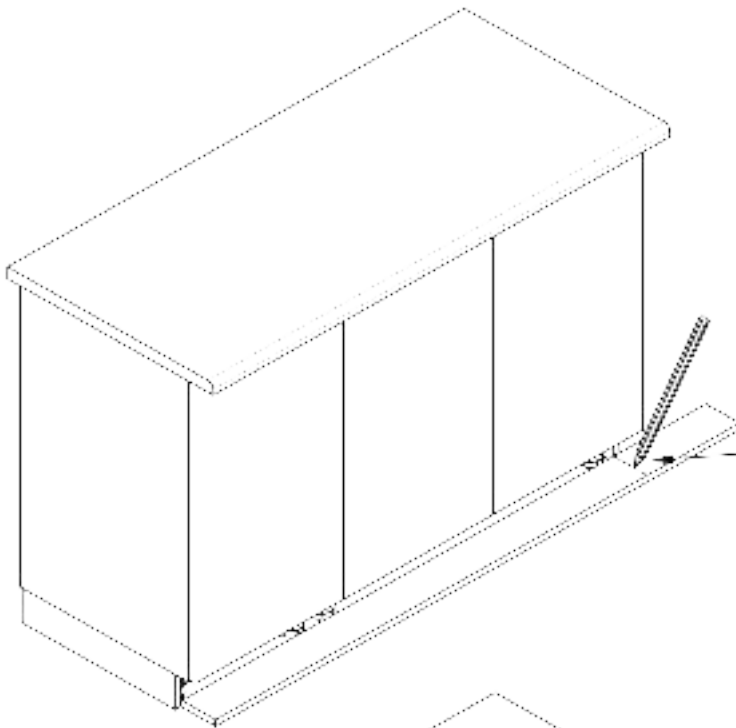
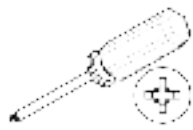


35x32x25mm

**W2** x8



Ø3,5x16mm



**D**

