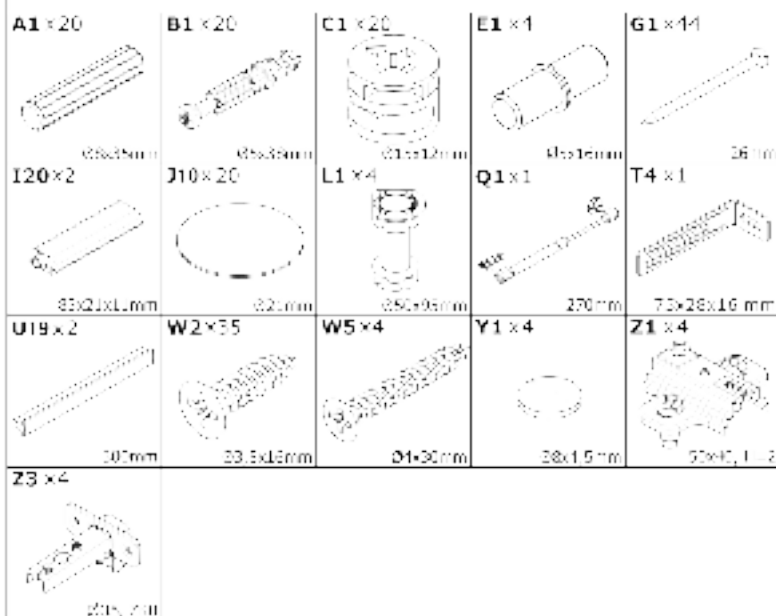
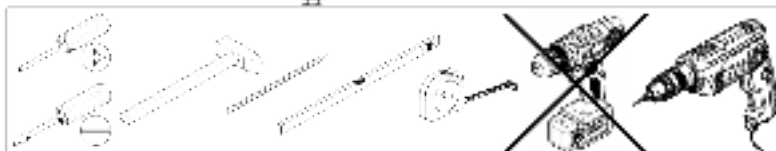
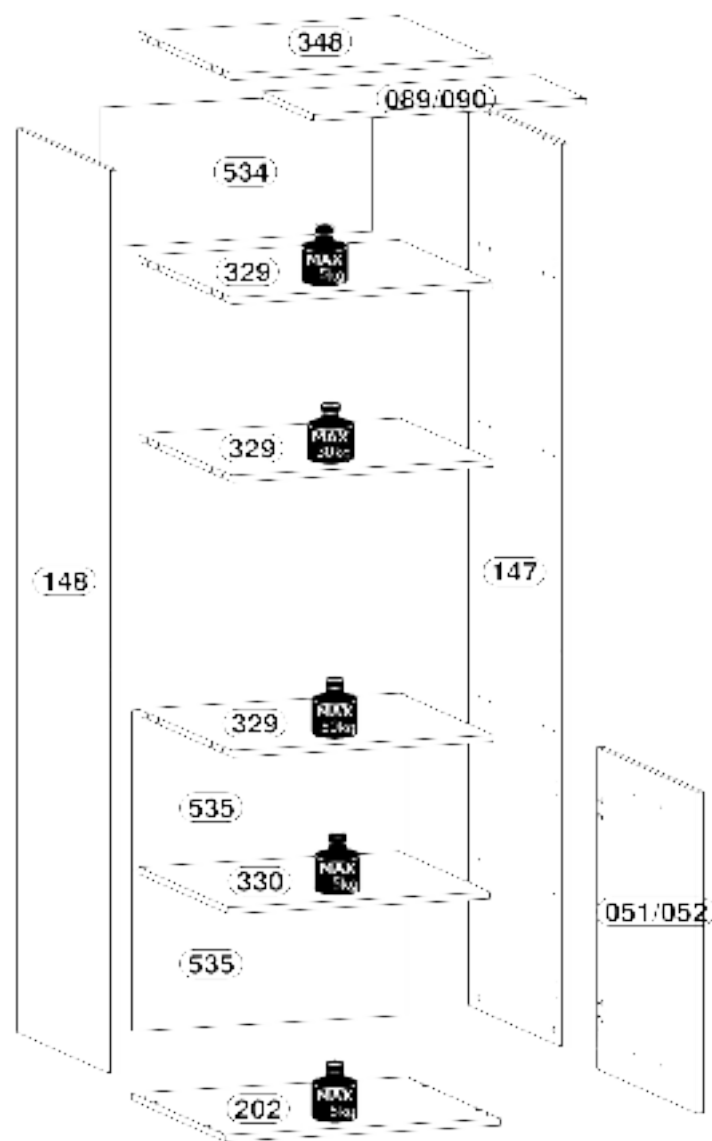
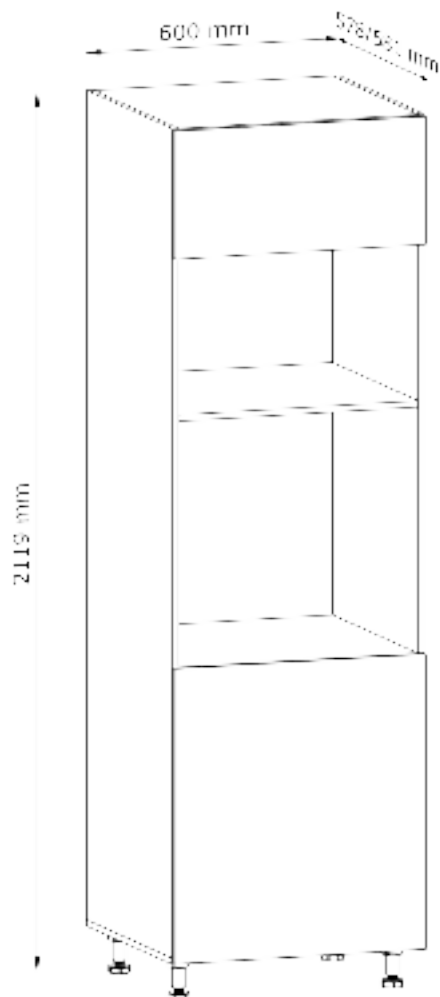
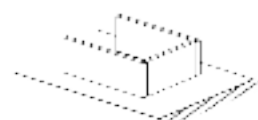


LANGEN

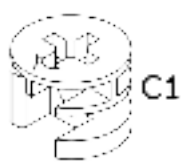
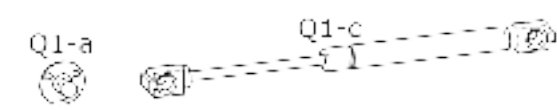
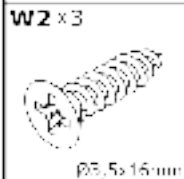
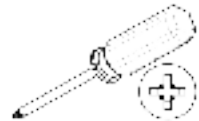
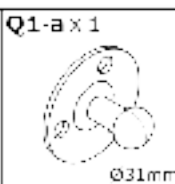
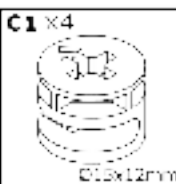
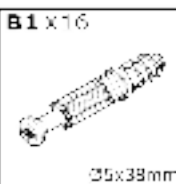
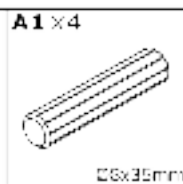
D60PM



Nr	L[mm]	W[mm]	H[mm]	PCS	BOX
051/052	713	596	15/18	1	2/2
089/090	596	309	15/18	1	2/2
147	2004	560	15	1	1/2
148	2004	560	15	1	1/2
202	601	580	15	1	1/2
329	570	560	15	3	1/2
330	570	540	15	1	1/2
348	570	580	15	1	1/2
534	597	310	2,5	1	1/2
535	597	356	2,5	2	1/2

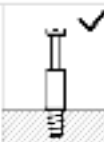
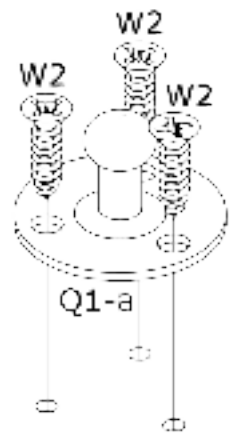
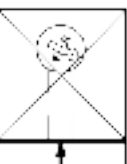
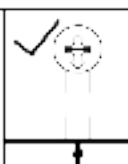
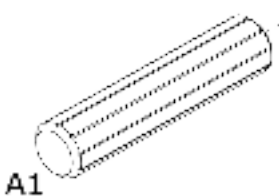


1

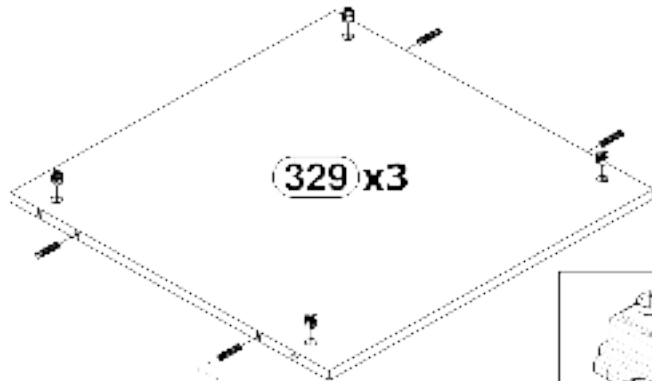
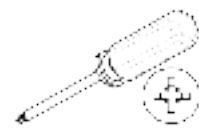
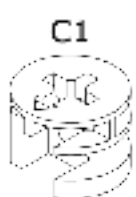
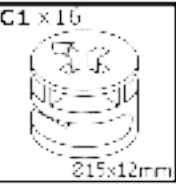
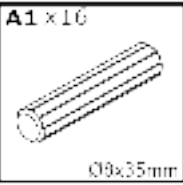


148

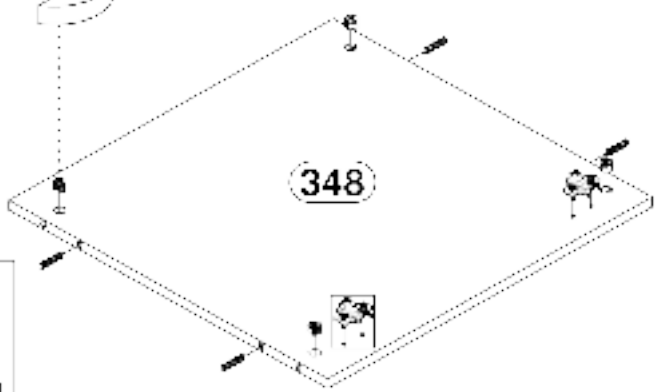
147



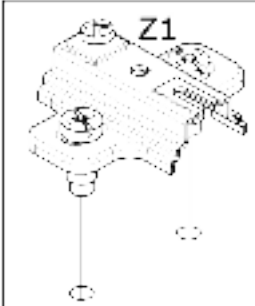
2



329 x3



348



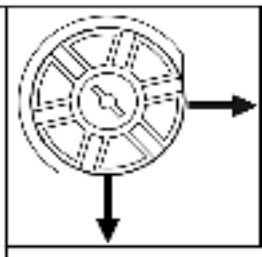
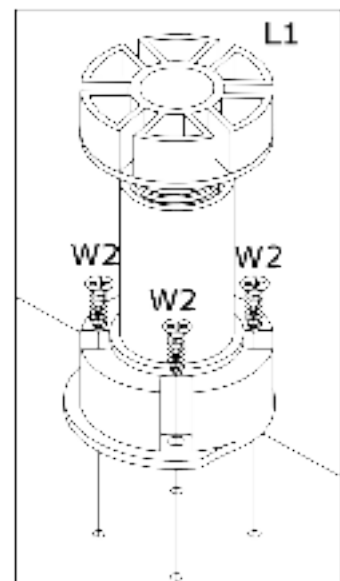
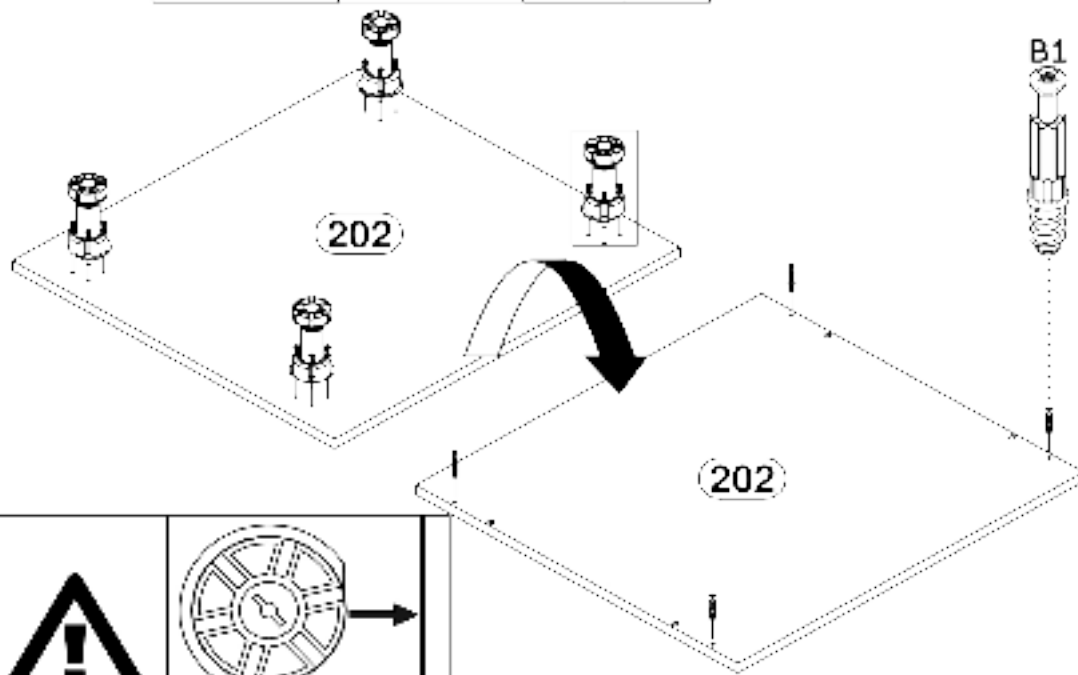
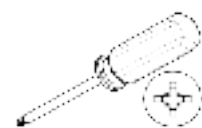
A1

3

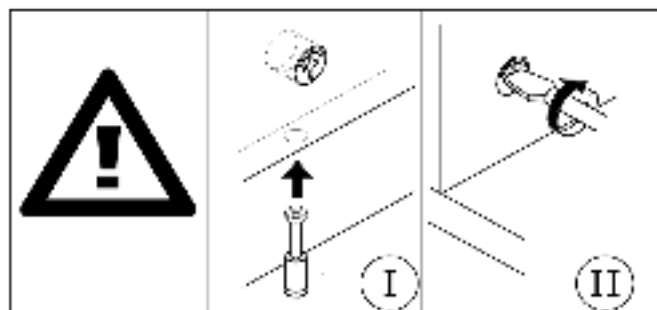
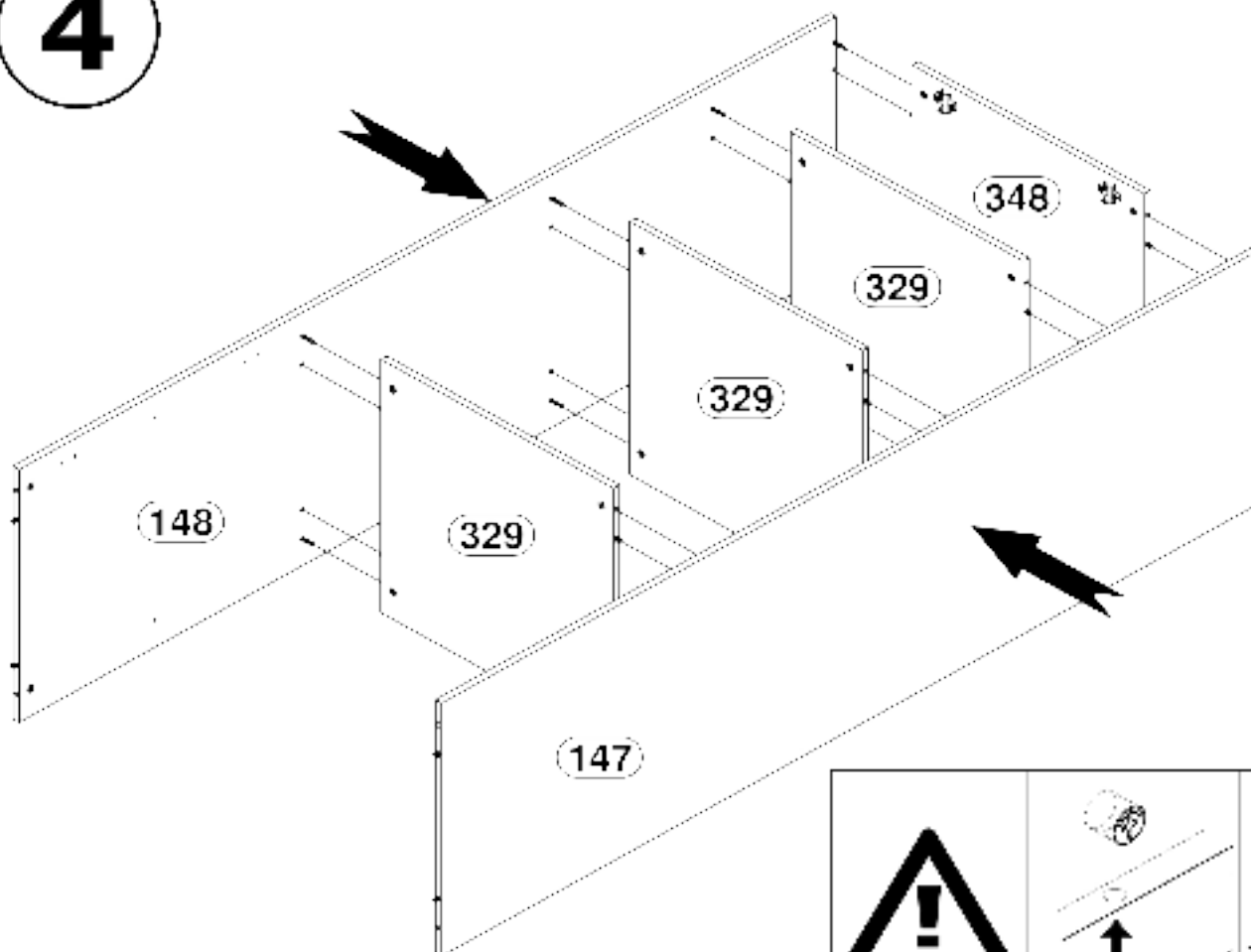
B1 x 4
Ø5x38mm

L1 x 4
Ø50x95mm

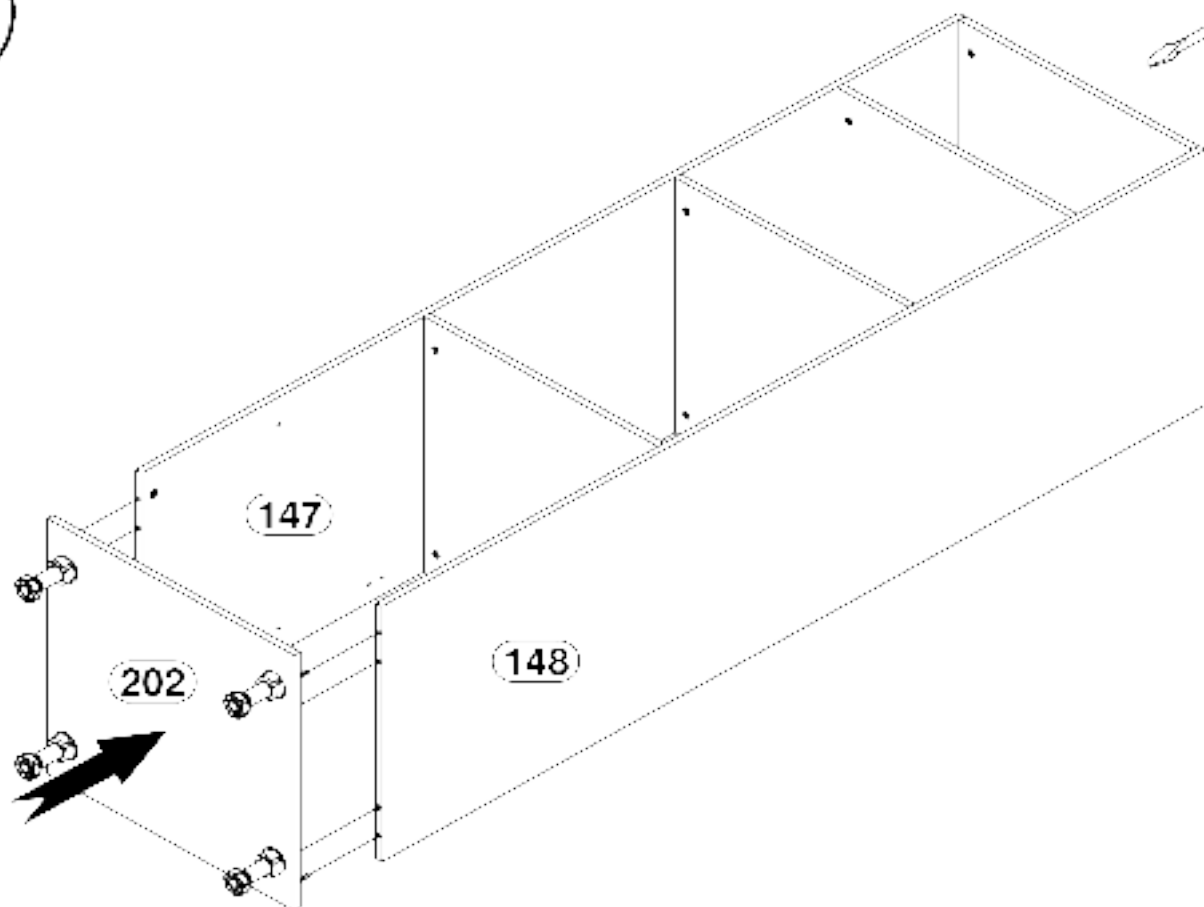
W2 x 16
Ø3,5x16mm



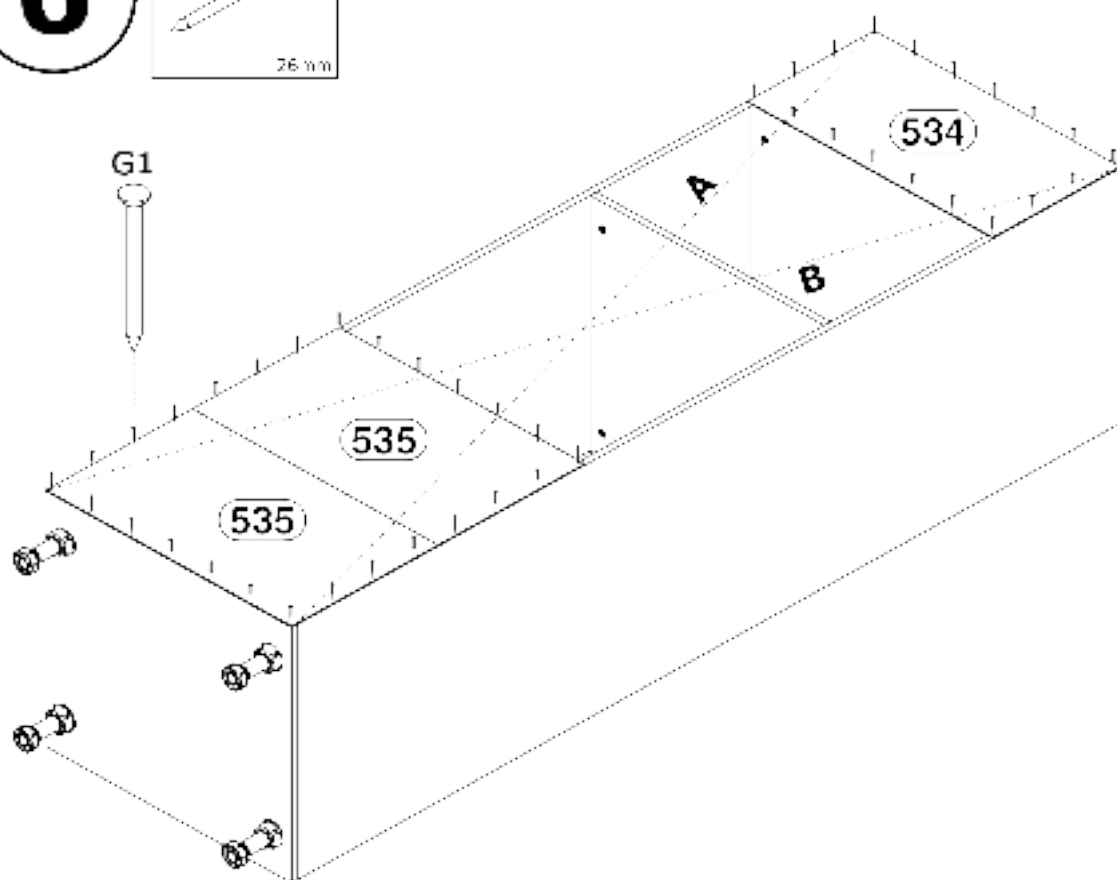
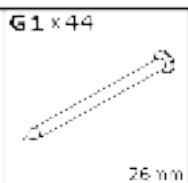
4



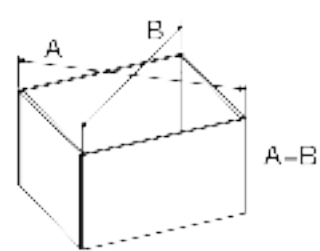
5



6



$A=B \equiv 90^\circ$



7

W2 X10



33,5x16 mm

Q1-b x1

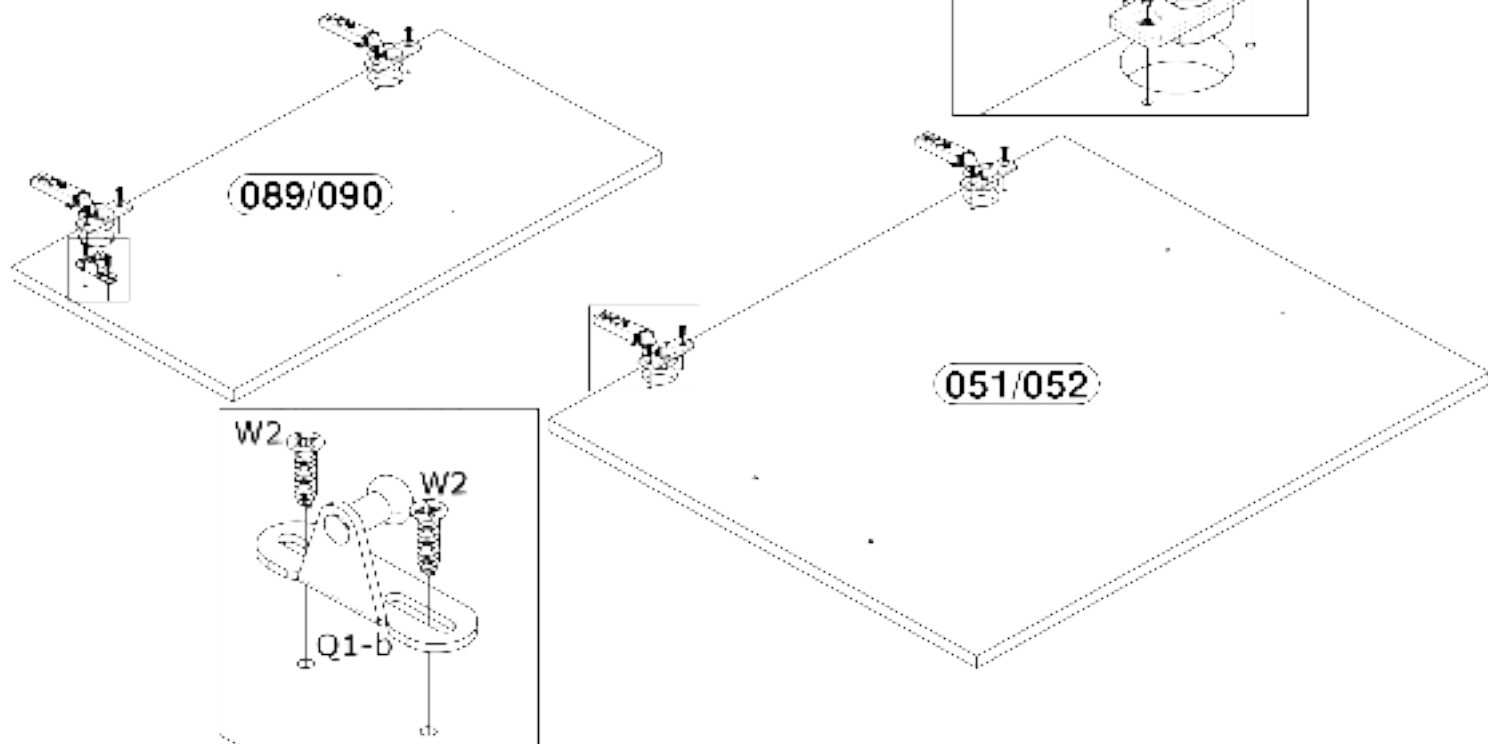
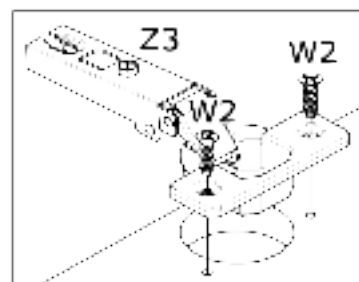


51mm

Z3 X4



88x, Z4

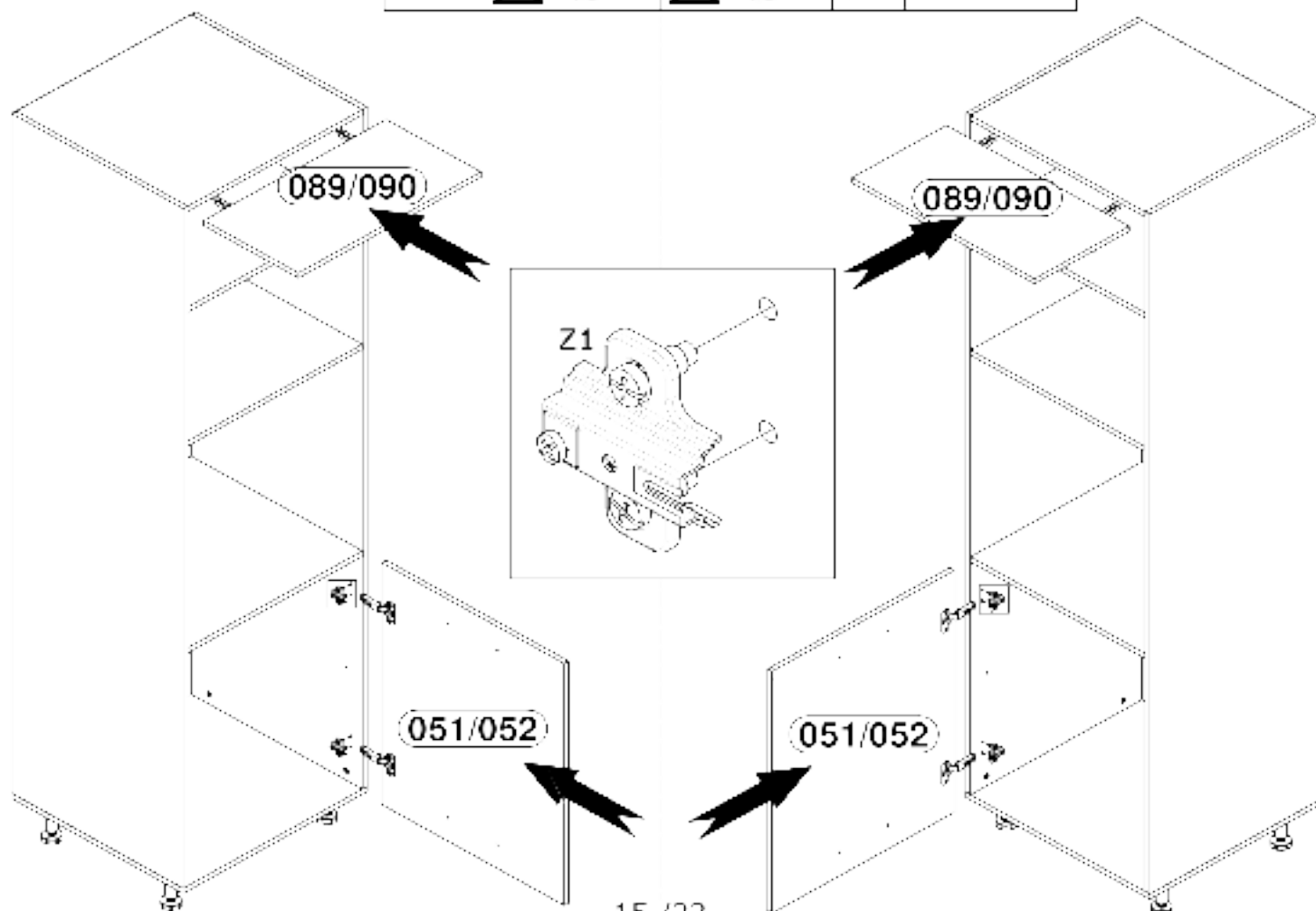


8

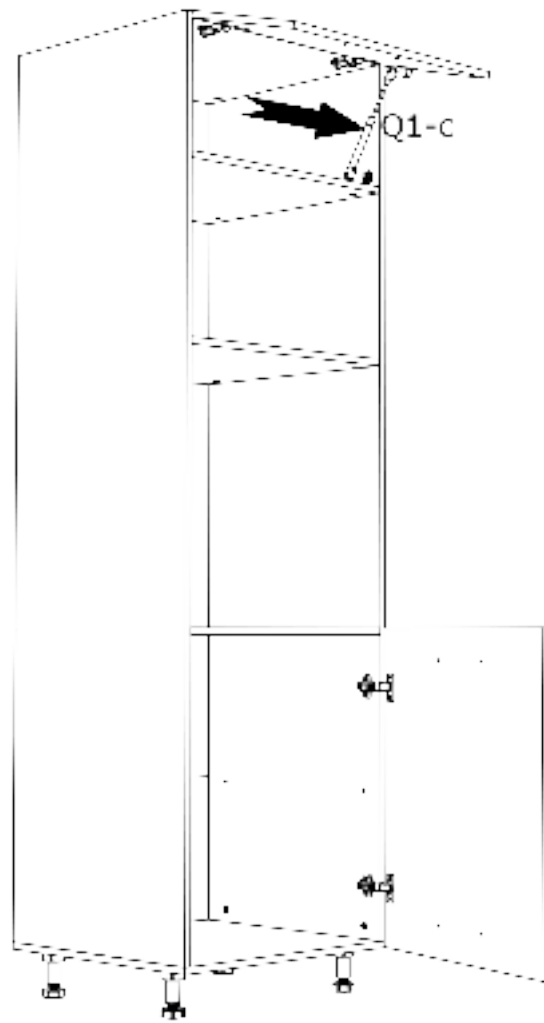
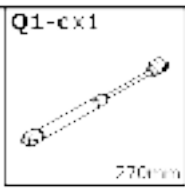
Z1 X2



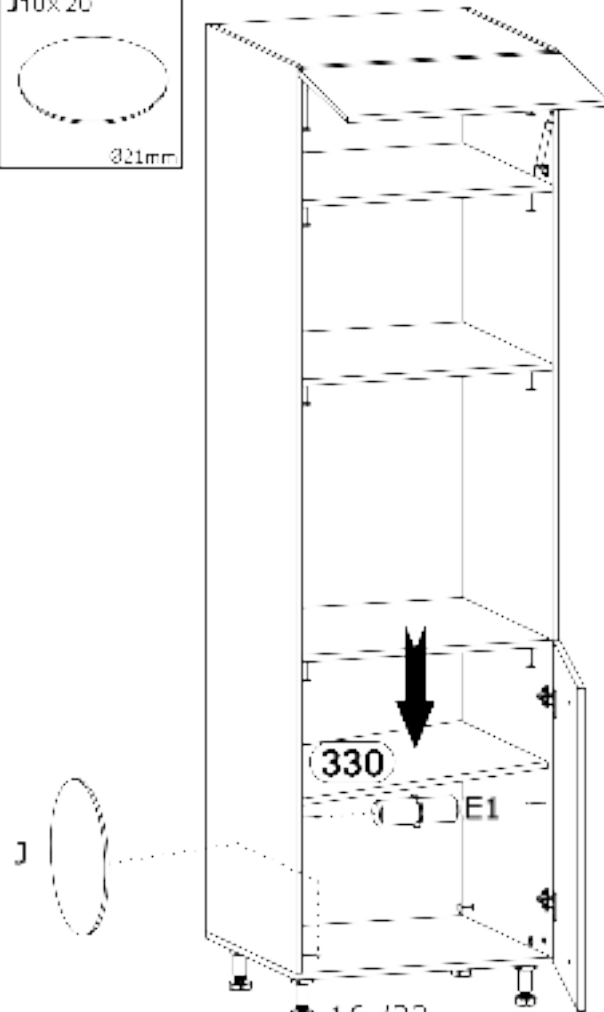
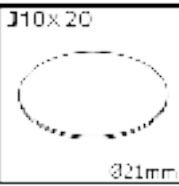
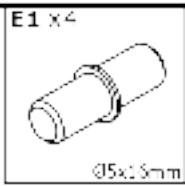
50x40, H=2



9



10



11

T4 x1

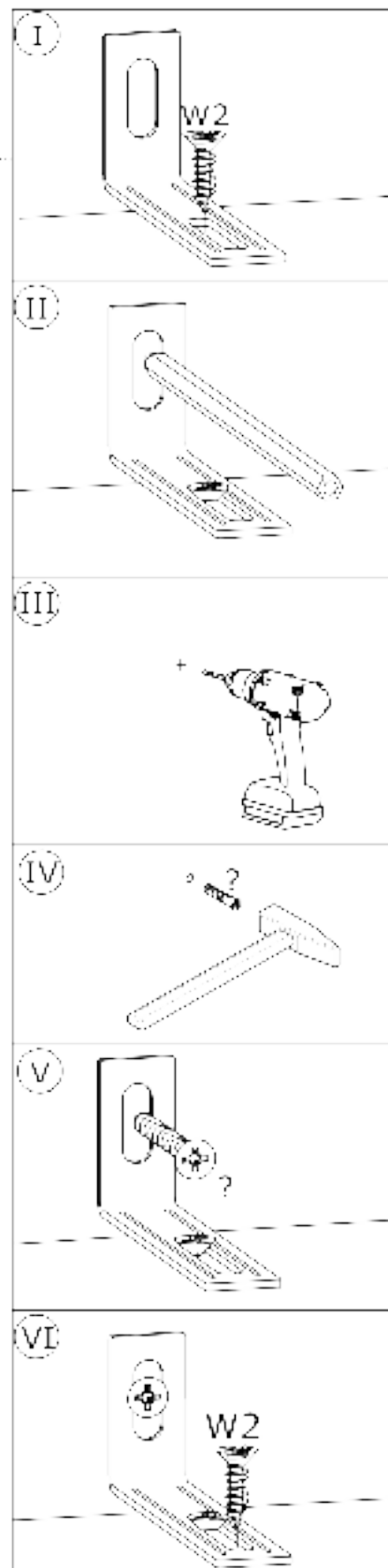
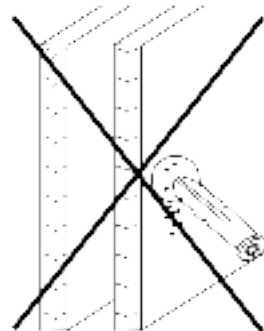
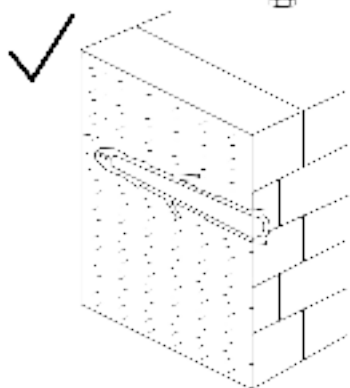
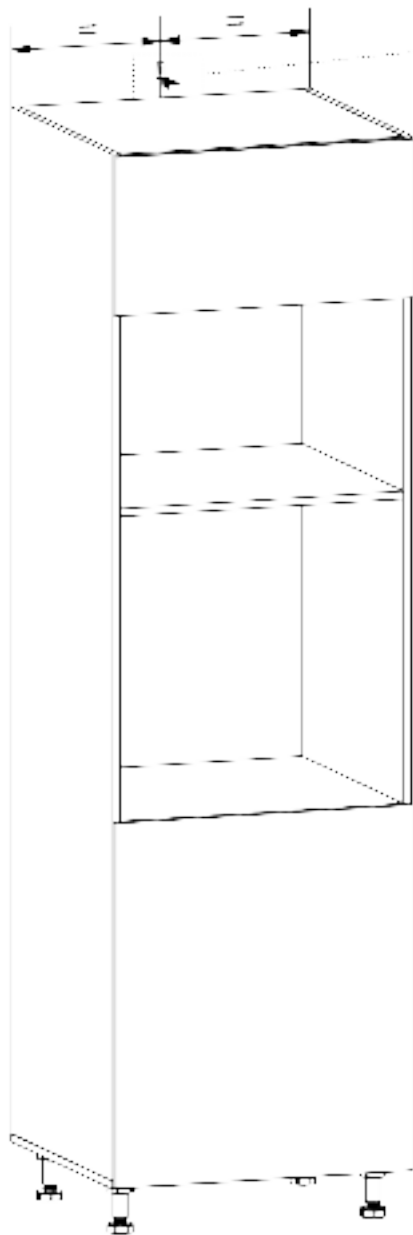
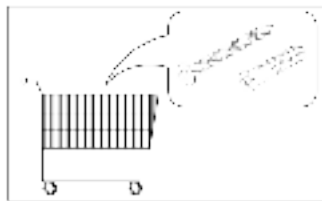
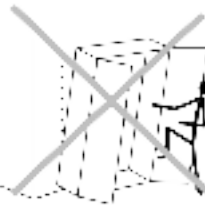
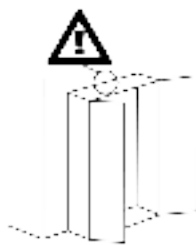
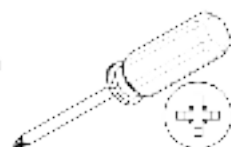
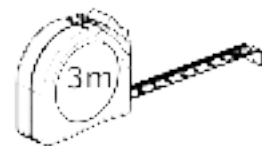


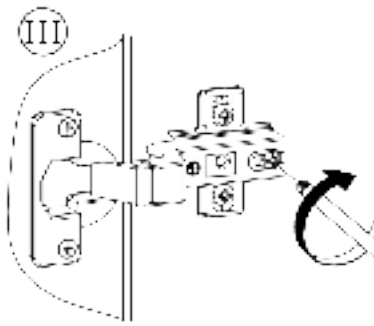
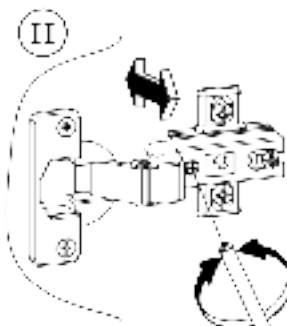
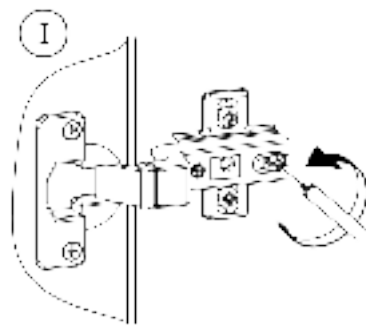
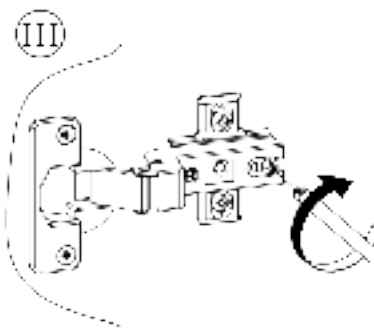
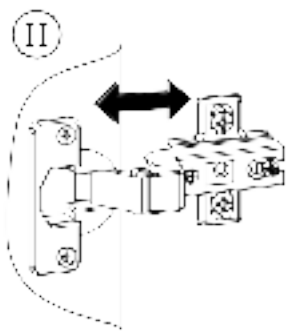
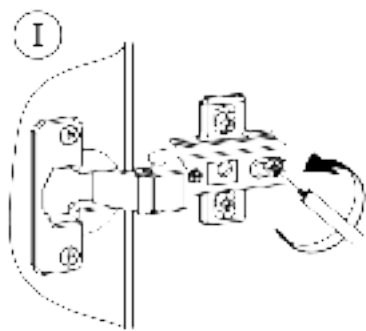
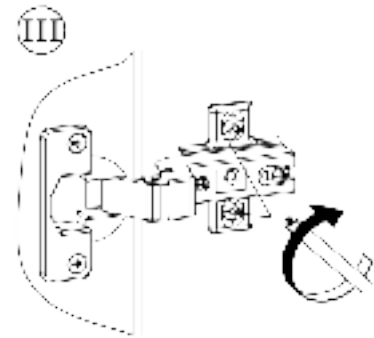
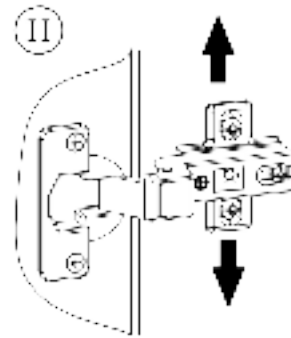
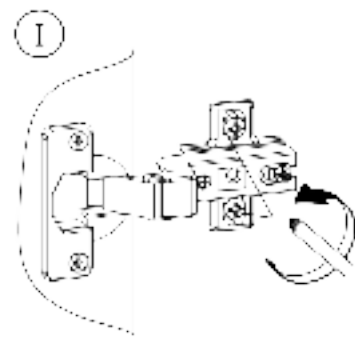
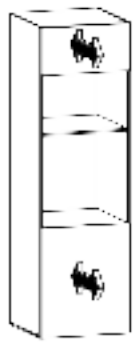
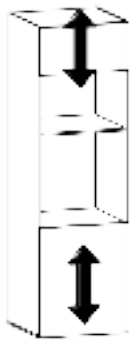
75x20x16 mm

W2 x7



Ø3,3x16mm



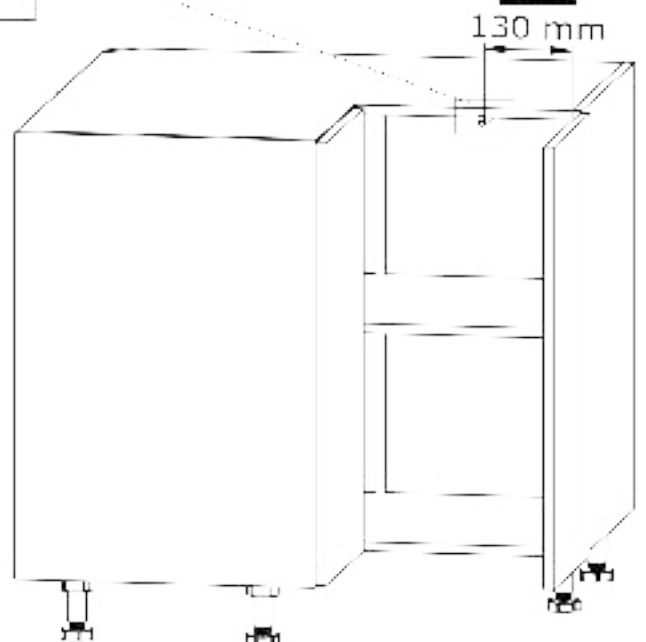
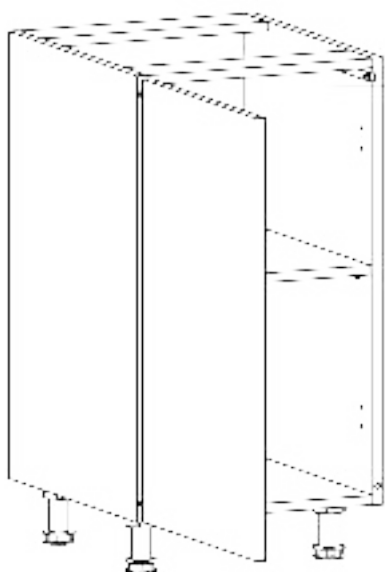
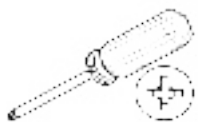
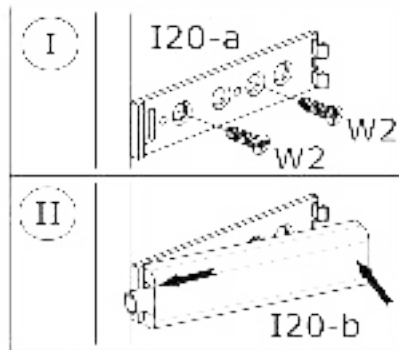
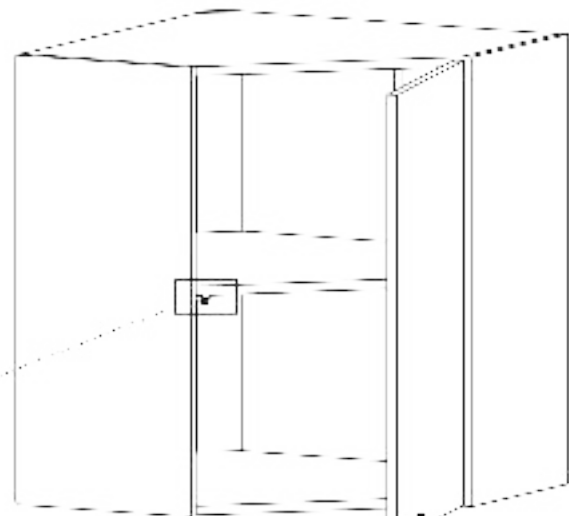
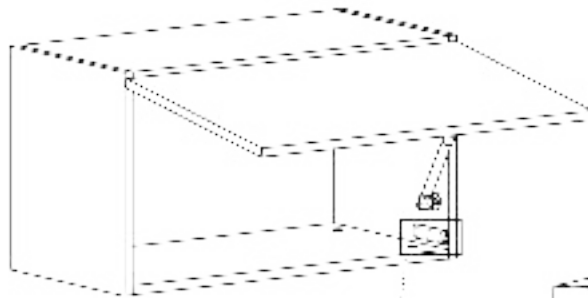
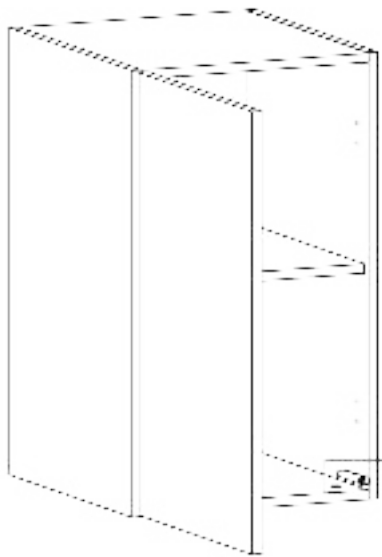
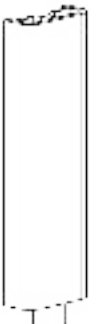
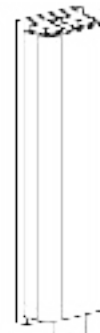
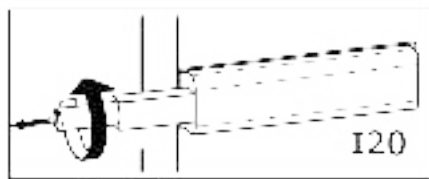
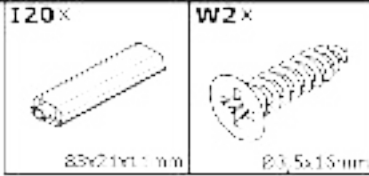


?

A

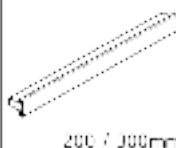
B

A



B

U18 / U19



200 / 300mm

W5

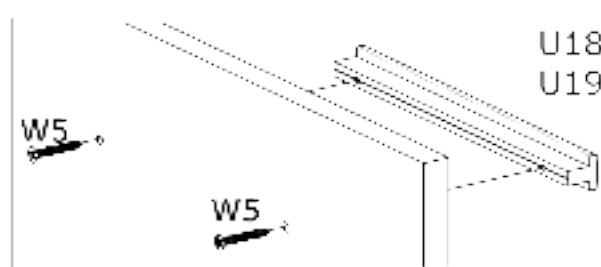


Ø40mm

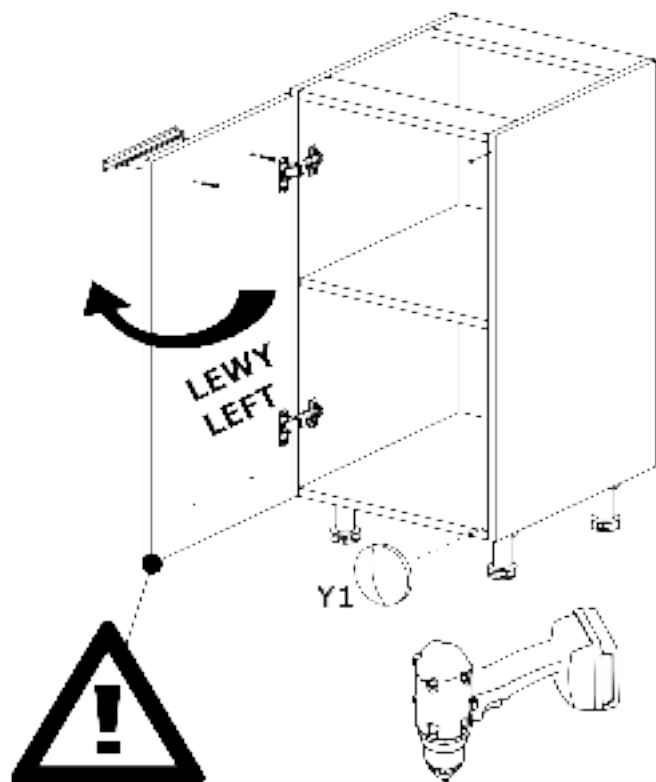
Y1



26x13mm



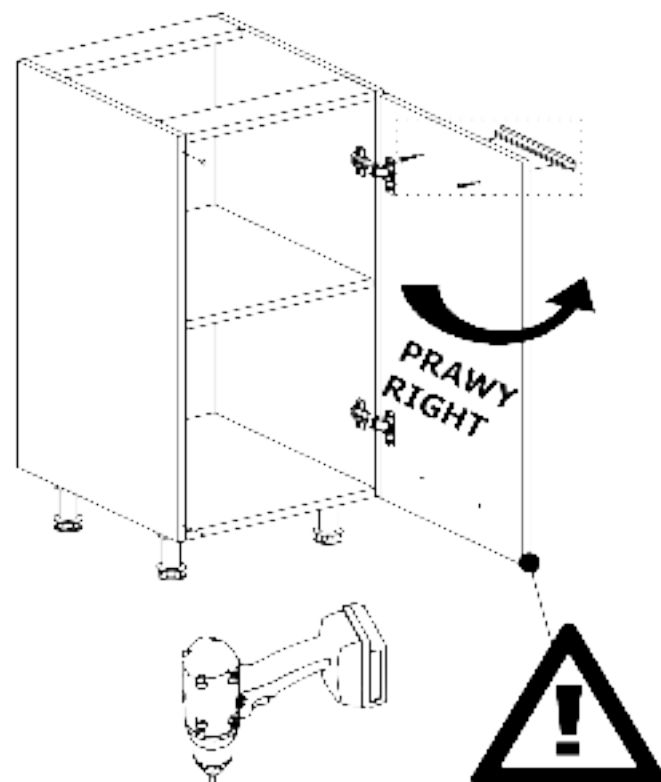
U18
U19



LEWY
LEFT

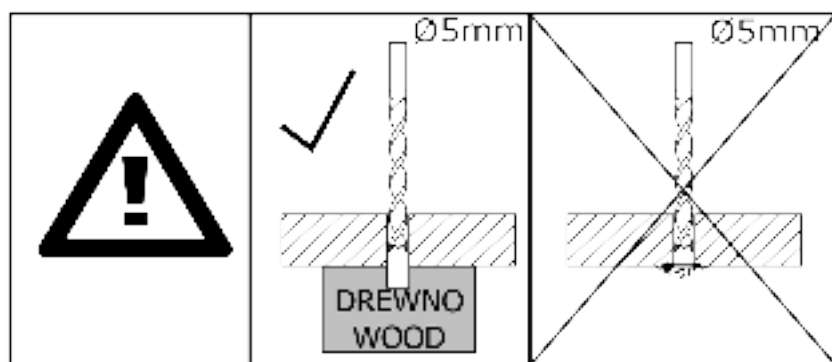
Y1

LEWY
LEFT



PRAWY
RIGHT

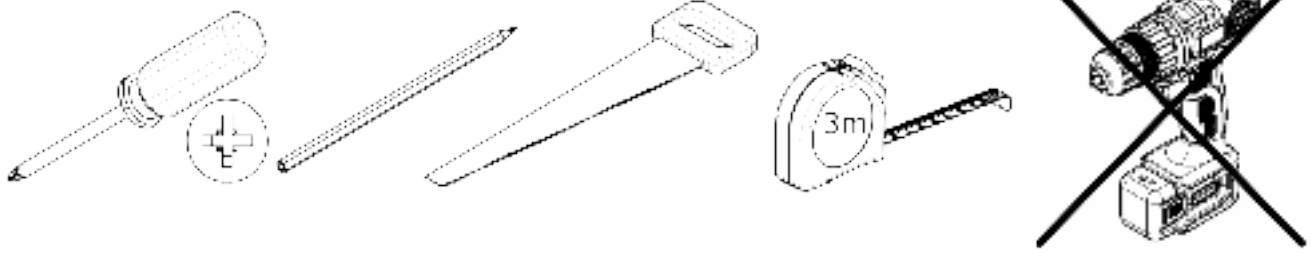
PRAWY
RIGHT



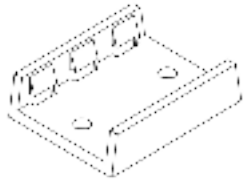
Ø5mm

DREWNO
WOOD

Ø5mm

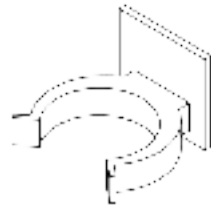


L6-ax8



38x30x10mm

L6-bx8

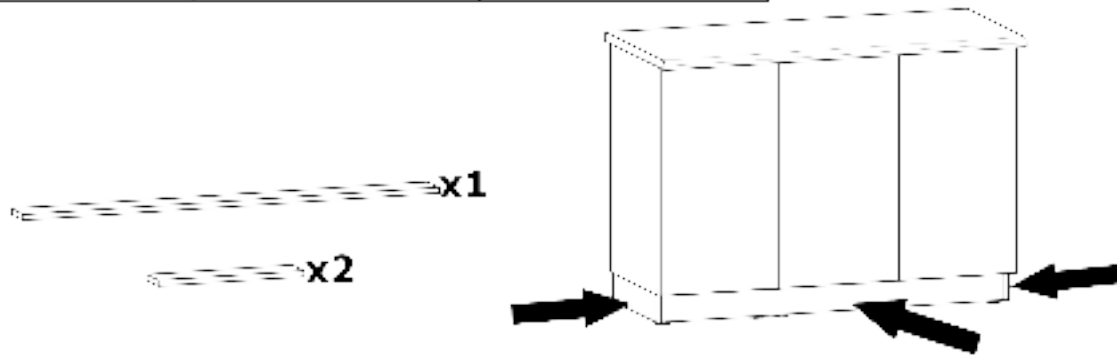


35x32x25mm

W2x16



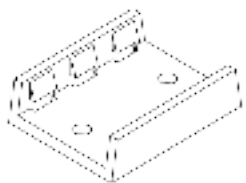
Ø3,5x16mm



C1

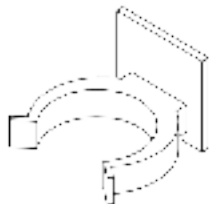


L6-ax4



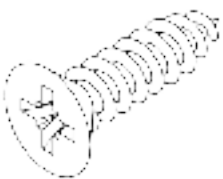
38x30x10mm

L6-bx4

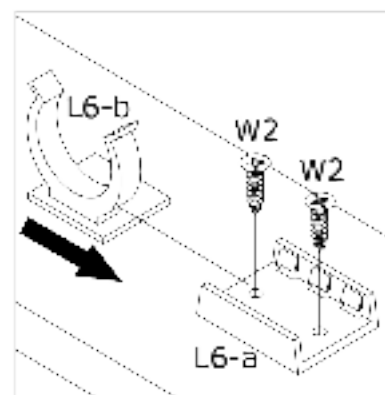
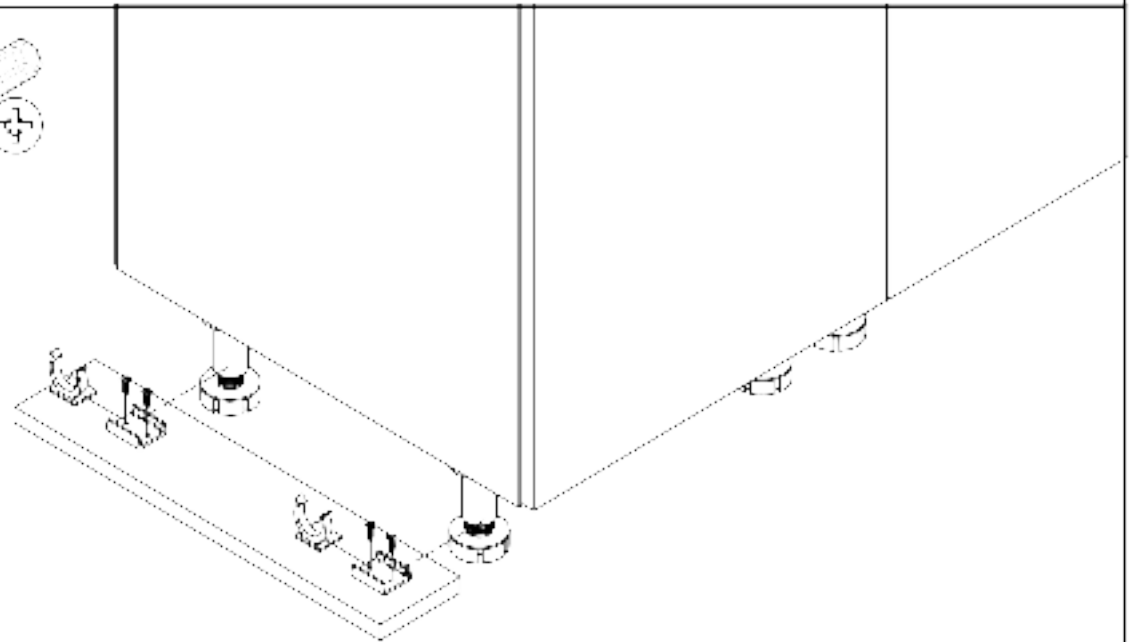


35x32x25mm

W2x8

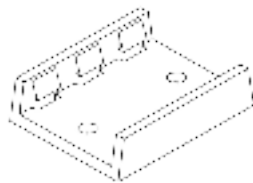


Ø3,5x16mm



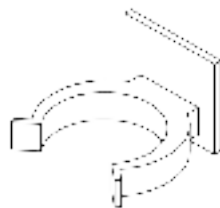
C2

L6-a x4



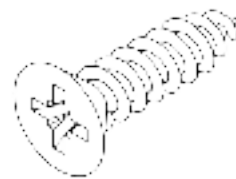
38x30x10mm

L6-b x4



35x32x25mm

W2 x8



Ø3,5x16mm

